

MOTOROLA INC.

Communications Parts & Data Handbook



Communications Parts & Data Handbook

Published by:



MOTOROLA INC.
Communications Group Parts

1313 East Algonquin Road
Schaumburg, Illinois 60196 U.S.A.
(312) 576-3900

A subsidiary of Motorola, Inc.
1301 Algonquin Road, Schaumburg, Illinois 60196

FIRST PRINTING
COPYRIGHT 1978 ALL RIGHTS RESERVED

SECOND PRINTING
COPYRIGHT 1980 ALL RIGHTS RESERVED

Printed in the United States of America

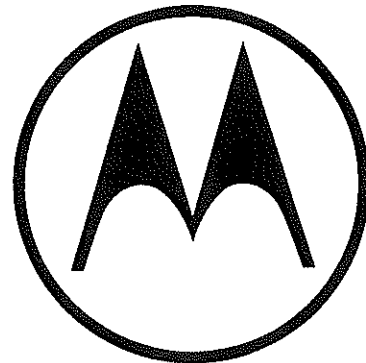
©, Auto-Mute, Big Voice, Channel Scan, Command-O-Lert, Compa-Station, Consolette, Converta-Com, Dimension IV, Director, Dispatcher, Duo-Board, Extender, Facts, Fire-Fighter, Handie-Com, Handie-Micro-Talkie, Handi-Talkie, Hear, Mav-Pack, Mem-O-Lert, Maxar, MX300, Mitrek, Metrx, Metro-Page, Metro-Pageboy, Mcom, Micor, Micor Systems 90, Minitor, Mocom, Mocom, Modat, Motorola, Motrac, Motran, Moxy, PAC-RT, Pageboy, Pagecom, People Finder, Permacode, Permakay, Power Voice, Private-Line, Pulsar, Quik-Call II, Sensicon, Sensitron, Spare-Pac, Spirit, T-Power, Telememory, Twin-V, Vibrasender, Vibrasponder, are trademarks of Motorola, Inc. Bellboy is a trademark of American Tel. & Tel. Company.

Contents

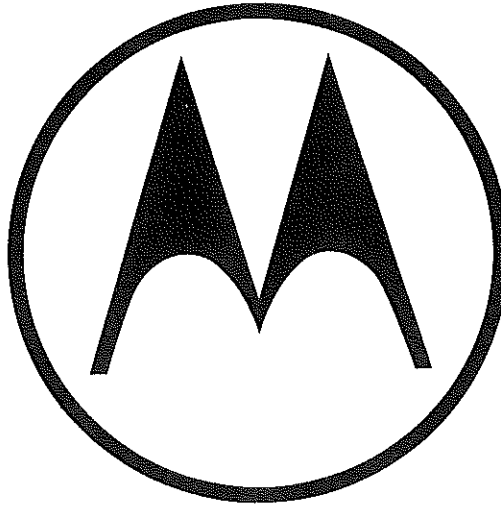
	Page
Preface	4
General Data	5
Parts Lists	29
Replacement Parts	165

IMPORTANT! General Information

Many items in this handbook refer to older equipment and are listed for identification and information only. They may not be immediately available. Always consult your current price list for price and availability. For information on items not included in the current price list contact your designated Motorola office.



MOTOROLA



Preface

The need for this handbook has been made obvious by innumerable requests over the past few years. It is designed to provide a handy reference to the common, basic data required on a day-to-day basis by the communications maintenance and installation technician in the servicing of Motorola communications products.

The book is divided into three primary sections. The first consists of elementary theory and conventional practices frequently required for the analysis or modification of communications circuits or systems. The second section consists of specific parts lists and "exploded" views relating to specific product lines, and various cross reference charts relating accessory items and service aids to specific products. The third section provides a condensed reference of the most common replacement parts used in servicing Motorola communications products along with any neces-

sary description information regarding specifications and application.

For the technical content of the handbook we are deeply indebted to the Communications and Electronics Parts technical staff, and the Motorola communications group family of service, technical engineering, and technical training organizations. Our thanks to the many Motorola communications group electronic publications departments for their help in obtaining photographs and other art work.

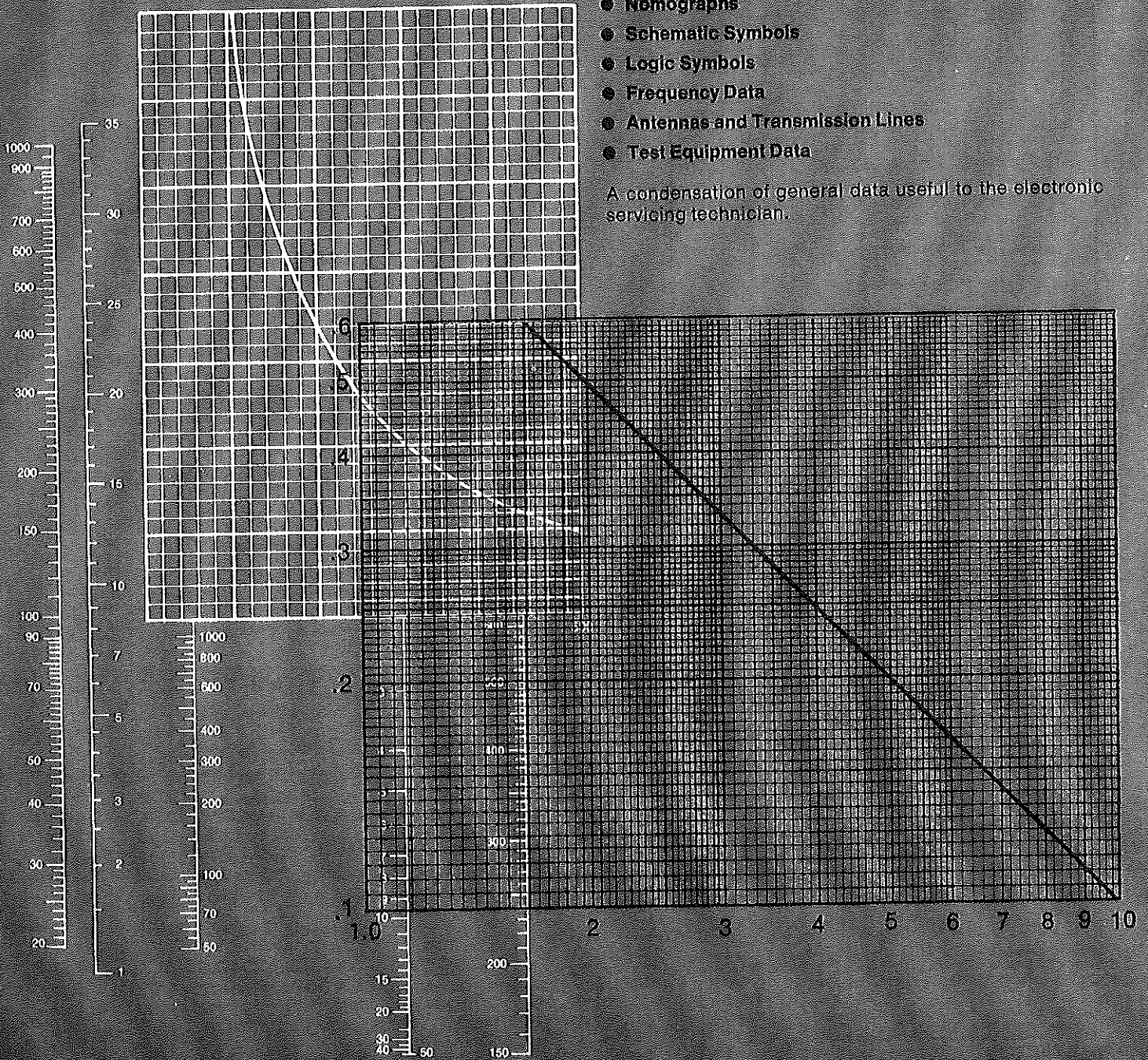
We welcome your comments and suggestions for future editions. Please send them to Editor, Parts and Data Handbook, Motorola Inc., Communications Group Parts, 1313 East Algonquin Road, Schaumburg, Illinois 60196.

Editor—6/78

General Data

- Conversion Formulas
- Tables and Charts
- Common Electronic Formulas
- Nomographs
- Schematic Symbols
- Logic Symbols
- Frequency Data
- Antennas and Transmission Lines
- Test Equipment Data

A condensation of general data useful to the electronic servicing technician.



General Data

GENERAL CONVERSION FORMULAS

Linear Measure

Miles (nautical) × 1.1508 = miles (statute)

mils × 10⁻³ = inches
feet × 12 = inches
yards × 3 = feet
miles × 5,280 = feet

Liquid Measure

quarts × 32 = ounces (fluid)
quarts × 2 = pints
gallons × 4 = quarts
gallons (liq. U.S.) × 0.8327 = gallons (liq. Br. Imperial, Canada)

Avoirdupois Weight

pounds × 16 = ounces
short tons × 2,000 = pounds
long tons (Eng.) × 2,240 = pounds

Temperature

centigrade (celsius) to fahrenheit
°F = (°C × 9/5) + 32

fahrenheit to centigrade (celsius)
°C = (°F - 32) 5/9

Kelvin (centigrade absolute) = °C + 273.18
Rankine (fahrenheit absolute) = °F + 459.72

Angular Measurement

degrees × 0.01745 = radians
radians × 2π = revolutions

Sinusoidal Waveform Measurements

average × 1.11 = rms
average × 1.57 = peak
average × 3.14 = peak-to-peak
rms × 0.9 = average
rms × 1.414 = peak
rms × 2.828 = peak-to-peak
peak × 0.637 = average
peak × 0.707 = rms
peak × 2 = peak-to-peak

METRIC CONVERSION FORMULAS

Linear Measure

centimeters × 0.3937 = inches
meters × 39.37 = inches
meters × 1.0936 = yards
kilometers × 3281 = feet
kilometers × 0.62137 = miles (statute)

Inches × 2.540 = centimeters
yards × 0.9144 = meters
miles (statute) × 1.6093 = kilometers

microns × 10⁻⁶ = meters
millimicrons × 10⁻⁹ = meters
Angstrom Units × 10⁻¹⁰ = meters

Liquid Measure

liters × 0.2642 = gallons (liq. U.S.)
milliliters × 0.0338 = fluid ounces

Weight

grams × 0.03527 = ounces
kilograms × 2.2046 = pounds
metric tons × 1.1023 = long tons (Eng.)
ounces × 28.35 = grams
pounds × 0.4536 = kilograms
long tons (Eng.) × 0.9072 = metric tons

COMMON MATHEMATICAL CONSTANTS

π = 3.14159 2π = 6.2832
π² = 9.8696 ½π = .159
Base of natural logs, e = 2.718
Velocity of light in vacuum, c = 186,280 mi/sec
= 2.998 × 10¹⁰ cm/sec

METRIC PREFIXES

Prefix	Symbol	Value	Example
tera	T	10 ¹²	terahertz
giga	G	10 ⁹	gigahertz
mega	M	10 ⁶	megahertz
kilo	K	10 ³	kilohertz
centi	C	10 ⁻²	centimeter
milli	m	10 ⁻³	millihenry
micro	μ	10 ⁻⁶	microfarad
nano	n	10 ⁻⁹	nanosecond
pico	p	10 ⁻¹²	picofarad

POWERS OF 10

10¹² = 1,000,000,000,000— 1 trillion (U.S. and French)
1 billion (British and German)
10⁹ = 1,000,000,000— 1 billion (U.S.), 1 milliard (French)
1 milliarde (German)
10⁶ = 1,000,000— 1 million
10³ = 1,000— 1 thousand
10² = 100— 1 hundred
10¹ = 10— ten
10⁰ = 1— one
10⁻¹ = 0.1— 1 tenth
10⁻² = 0.01— 1 hundredth
10⁻³ = 0.001— 1 thousandth
10⁻⁶ = 0.000001— 1 millionth
10⁻⁹ = 0.000000001— 1 billionth (U.S.)
10⁻¹² = 0.000000000001— 1 trillionth (U.S.)

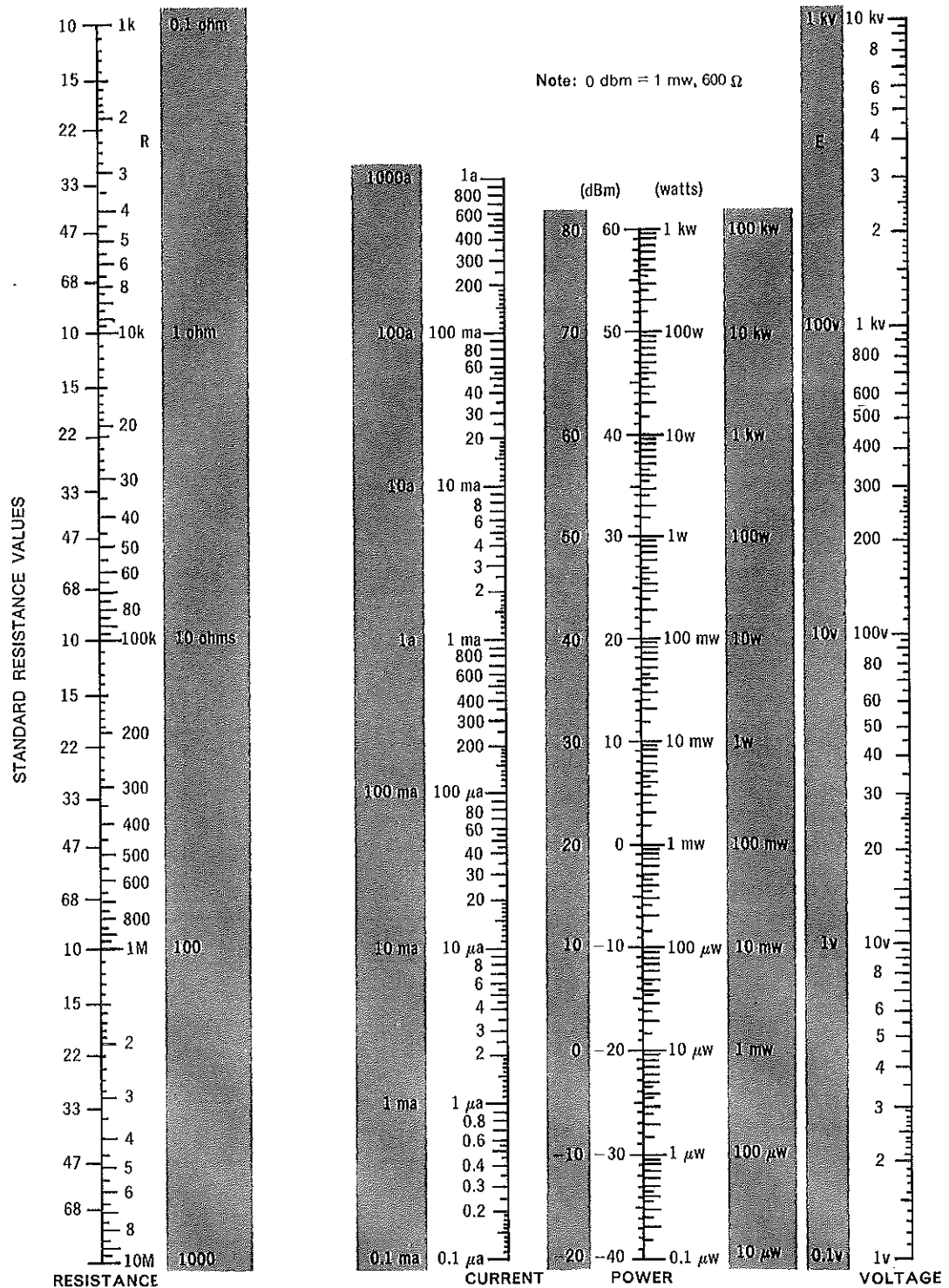
GREEK ALPHABET

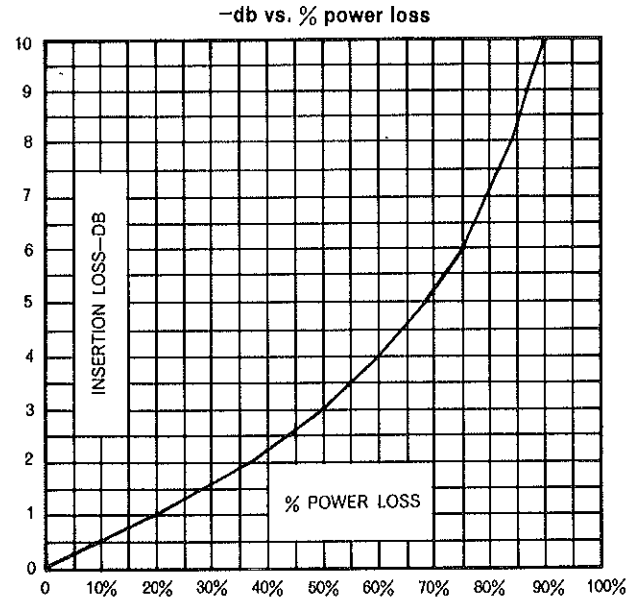
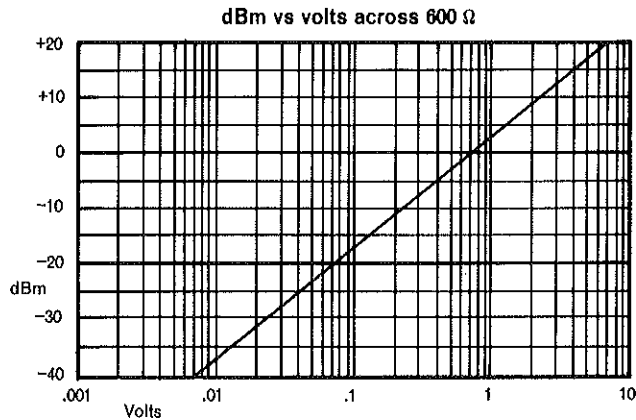
Greek	English Equivalent	Name	Commonly used to designate
Α α	a	Alpha	Angles, Area, Coefficients, Attenuation constant, Absorption factor, Current gain of common base configuration.
Β β	b	Beta	Angles, Flux density, Phase constant, Current gain of common emitter.
Γ γ	g	Gamma	Angles, Conductivity, Specific gravity.
Δ δ	d	Delta	Increment or decrement (cap or lc), Variation, Density, Angles.
Ε ε	e	Epsilon	Base of natural logarithms, Electric intensity.
Ζ ζ	z	Zeta	Impedance, Coefficients, Coordinates.
Η η	e'	Eta	Hysteresis coefficient, Efficiency, Surface charge density.
Θ θ θ̄	th	Theta	Temperature, Phase angle, Time Constant, Reluctance, Angles.
Ι ι	i	Iota	Unit vector.
Κ κ	k	Kappa	Dielectric constant, Susceptibility.
Λ λ	l	Lambda	Wavelength, Attenuation constant.
Μ μ	m	Mu	Micro-, Amplification factor, Permeability.
Ν ν	n	Nu	Reluctivity, Frequency.
Ξ ξ	x	Xi	Coordinates.
Ο ο	o	Omicron	-----
Π π	p	Pi	3.1416 (Ratio of circumference to diameter)
Ρ ρ	r	Rho	Resistivity, Coordinates.
Σ σ s	s	Sigma	Summation (cap), Electrical conductivity, Leakage coefficient, Surface charge density, Complex propagation constant.
Τ τ	t	Tau	Time constant, Time phase displacement, Density, Transmission factor.
Υ υ	u	Upsilon	-----
Φ φ ϕ	ph	Phi	Magnetic flux, Angles, Scalar potential (cap)
Χ χ	ch	Chi	Electric susceptibility, Angles.
Ψ ψ	ps	Psi	Dielectric flux, Phase difference, Coordinates, Angles.
Ω ω	ω	Omega	Angular velocity, Resistance in ohms (cap), Solid angles (cap).

Lower case letters are used except where capital (cap) is indicated.

Resistance, Power, Voltage and Current

Lay straightedge across two known parameters and read two unknowns from appropriate scales. Note that two sets of scales are used. All numbers for any given problem should be read from the same set of scales, either black or grey.





DECIBEL TABLE

Note, Adding db is equivalent to multiplying ratios. $db + db_2 \rightarrow (ratio)_1 \times (ratio)_2$

Voltage Ratio*	Power Ratio	← db + →	Voltage Ratio*	Power Ratio	Voltage Ratio*	Power Ratio	db +	Voltage Ratio*	Power Ratio
1.000	1.000	0	1.000	1.000	0.376	0.141	8.5	2.661	7.079
0.989	0.977	0.1	1.012	1.023	0.355	0.126	9.0	2.818	7.943
0.977	0.955	0.2	1.023	1.047	0.335	0.112	9.5	2.985	8.913
0.966	0.933	0.3	1.035	1.072	0.316	0.100	10	3.162	10.00
0.955	0.912	0.4	1.047	1.096	0.282	0.0794	11	3.55	12.6
0.944	0.891	0.5	1.059	1.122	0.251	0.0631	12	3.98	15.9
0.933	0.871	0.6	1.072	1.148	0.224	0.0501	13	4.47	20.0
0.923	0.851	0.7	1.084	1.175	0.200	0.0398	14	5.01	25.1
0.912	0.832	0.8	1.096	1.202	0.178	0.0316	15	5.62	31.6
0.902	0.813	0.9	1.109	1.230	0.159	0.0251	16	6.31	39.8
0.891	0.794	1.0	1.122	1.259	0.141	0.0200	17	7.08	50.1
0.841	0.708	1.5	1.189	1.413	0.126	0.0159	18	7.94	63.1
0.794	0.631	2.0	1.259	1.585	0.122	0.0126	19	8.91	79.4
0.750	0.562	2.5	1.334	1.778	0.100	0.0100	20	10.00	100.
0.708	0.501	3.0	1.413	1.995	3.16×10^{-2}	10^{-3}	30	3.16×10	10^3
0.668	0.447	3.5	1.496	2.239	10^{-2}	10^{-4}	40	10^2	10^4
0.631	0.398	4.0	1.585	2.512	3.16×10^{-3}	10^{-5}	50	3.16×10^2	10^5
0.596	0.355	4.5	1.679	2.818	10^{-3}	10^{-6}	60	10^3	10^6
0.562	0.316	5.0	1.778	3.162	3.16×10^{-4}	10^{-7}	70	3.16×10^3	10^7
0.531	0.282	5.5	1.884	3.548	10^{-4}	10^{-8}	80	10^4	10^8
0.501	0.251	6.0	1.995	3.981	3.16×10^{-5}	10^{-9}	90	3.16×10^4	10^9
0.473	0.224	6.5	2.113	4.467	10^{-5}	10^{-10}	100	10^5	10^{10}
0.447	0.200	7.0	2.239	5.012	3.16×10^{-6}	10^{-11}	110	3.16×10^5	10^{11}
0.422	0.178	7.5	2.371	5.623	10^{-6}	10^{-12}	120	10^6	10^{12}
0.398	0.159	8.0	2.512	6.310					

*Across equal impedances.

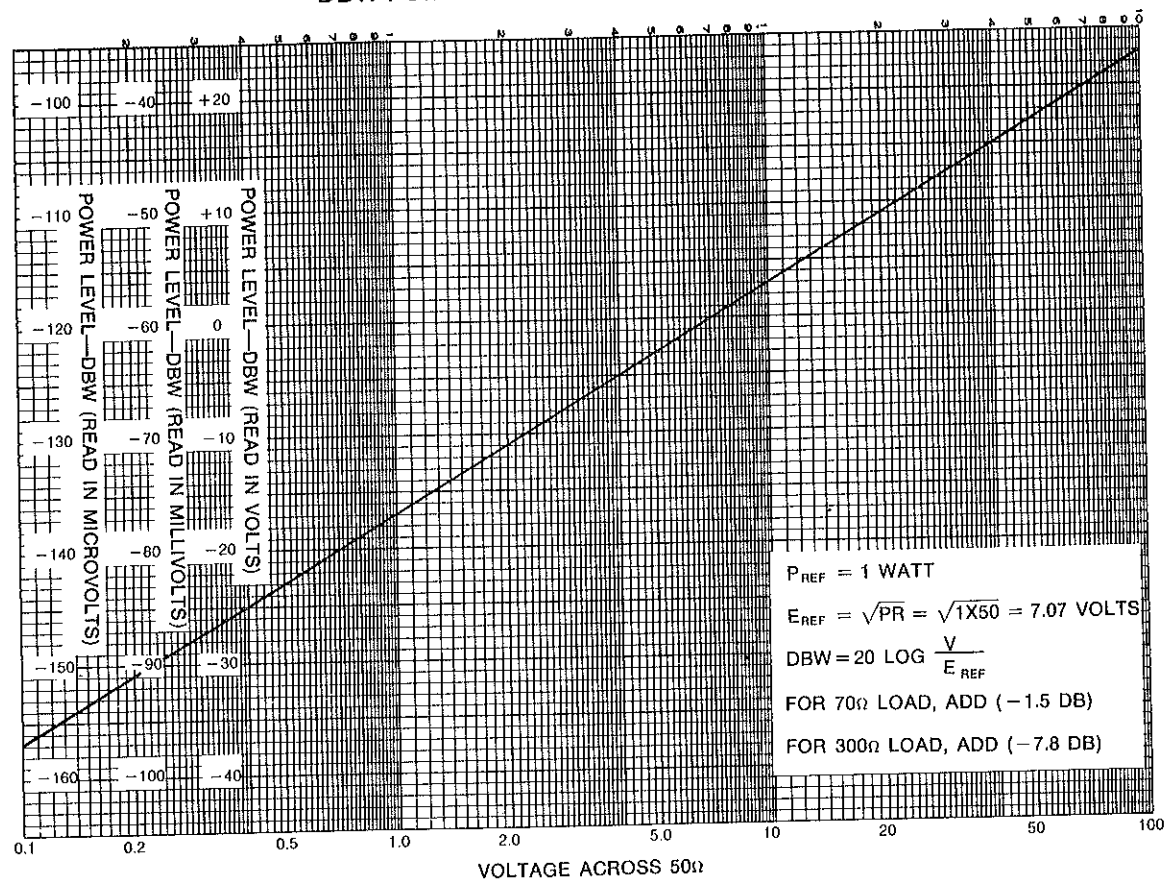
Decibel Reference Levels

The decibel is a means of stating the ratio of a level to a certain reference level. When no reference is given, it is usually 6 millivolts across a 500 ohm impedance. However, the reference level should be stated whenever a value in dB is given. Some of the more common reference levels are:

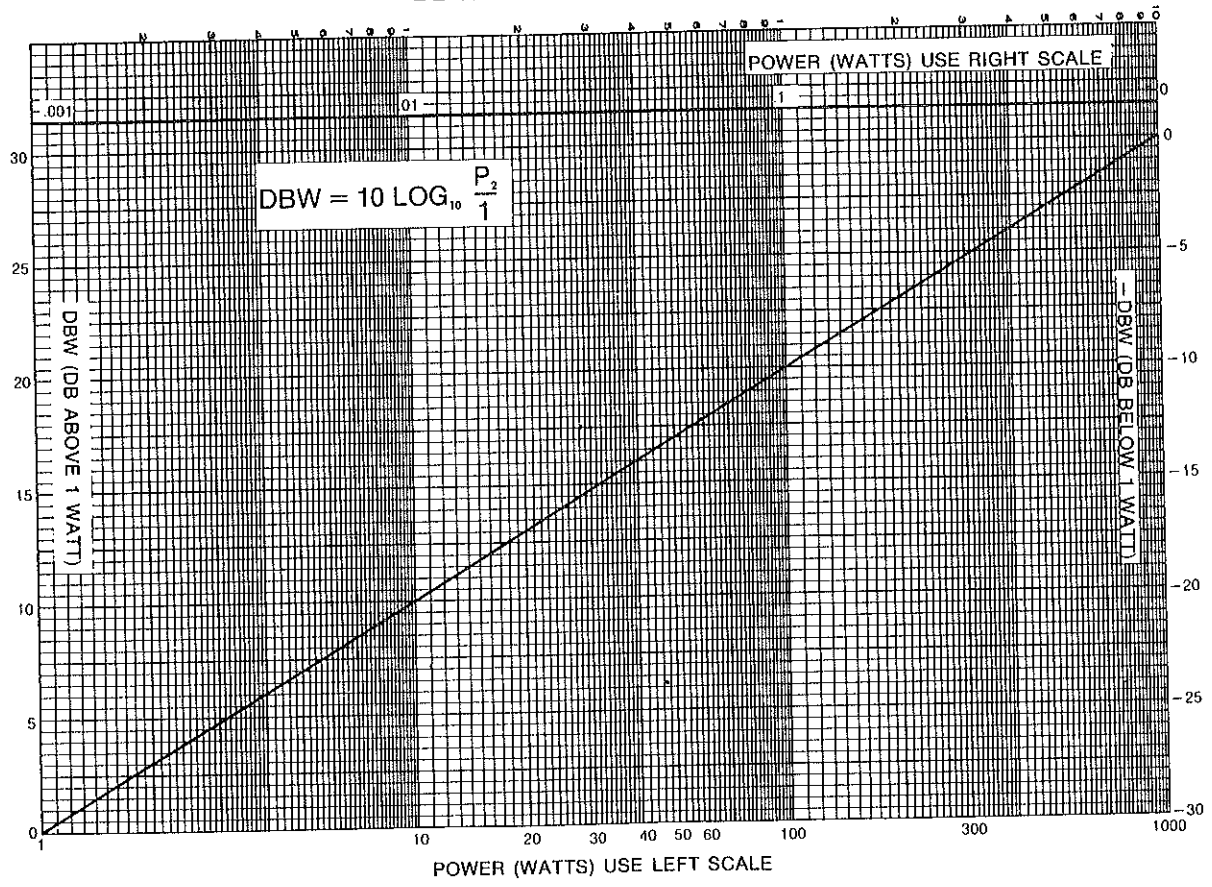
- dBk—1 kilowatt
- dBm—1 milliwatt, 600 ohms
- dBv—1 volt
- dBw—1 watt
- dBvg—voltage gain

- dBrap—decibels above a reference acoustical power of 10^{-16} watt
- VU—1 milliwatt, 600 ohms (complex waveforms varying in both amplitude and frequency).

DBW Power Level vs Voltage Across 50 Ω



DB With Reference To 1 Watt



SAFE HANDLING OF MOS INTEGRATED CIRCUIT DEVICES

Many of the integrated circuit devices used in communications equipment are of the MOS (Metal Oxide Semiconductor) type including CMOS, NMOS, and PMOS. Because of their high open circuit impedance, MOS IC's are vulnerable to damage from static charges. Care must be taken in handling, shipping, and servicing them and the assemblies in which they are used.


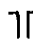
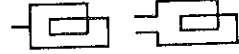

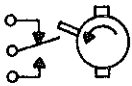



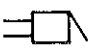


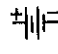




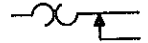
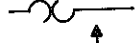

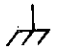




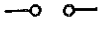








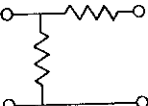
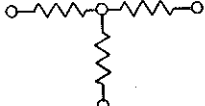
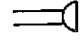
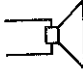







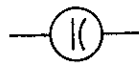
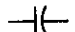
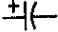
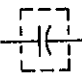

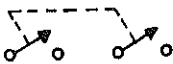

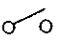
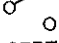
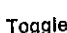
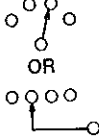
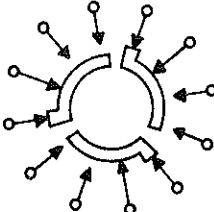
Even though protection devices are provided in MOS IC inputs, the protection is effective only against overvoltage in the hundreds of volts range such as are encountered in an operating system. In the system, other circuit elements distribute static charges and load the MOS circuits, decreasing the chance of damage. However, MOS circuits can be damaged by improper handling of the modules even in a system.

To avoid damage to circuits, observe the following handling, shipping, and servicing precautions:

1. All MOS devices should be stored or transported in conductive material so that all exposed leads are shorted together. Motorola conductive foam and bags are recommended for storage and transportation of MOS devices. MOS devices must not be inserted into conventional plastic "snow" or plastic trays of the type used for storage and transportation of other semiconductor devices. The Motorola part number of the conductive foam is 56-83801K01 (size 1 $\frac{7}{8}$ " x 1" x $\frac{5}{8}$ ") and the part number of the various size bags are as follows: 56-83350K01 (16" x 12"), 56-83350K02 (8" x 5"), 56-83350K03 (10" x 5"), 56-83350K04 (10" x 6"), 56-83350K07 (12" x 8"), and 56-83350K08 (5" x 4").
2. All MOS devices should be placed on a grounded bench surface and the technicians should ground themselves prior to handling devices. This is done most effectively by having the technician wear a conductive wrist strap in series with 1 Megohm to ground. Motorola provides a portable static eliminator kit, RSX-4014A. This kit includes a static free work surface, a conductive wrist strap (also available individually as ST-1191) and the necessary grounding cable.
3. Use extreme caution to keep non-conductive items away from P.C. boards and components you are working on. Such things as styrofoam coffee cups and cellophane tape represent hazards. Also never lay components on any type of carpeting.
4. Keep all ungrounded transient personnel away from your work area.
5. Nylon clothing should not be worn while handling MOS circuits.
6. Do not insert or remove MOS devices with power applied. Check all power supplies to be used for testing MOS devices and be certain there are no voltage transients present.
7. When lead straightening, provide ground straps for the apparatus used.
8. When soldering, use a grounded soldering iron.
9. All power should be turned off in a system before printed circuit boards containing MOS devices are inserted or removed.
10. All printed circuit boards containing MOS devices should be provided with shorting straps across the edge connector when being carried or transported.
11. MOS devices should be handled by their packages and not by the leads, if at all possible. Prior to touching the unit, the technician should touch an electrical ground to remove any static charge that may have been accumulated. The package and substrate may be electrically common. If so, the reaction of a discharge to the case would cause the same damage as touching the leads.

NOTE: These precautions are especially true in low humidity conditions.

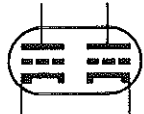
COMMON SCHEMATIC SYMBOLS

<p style="text-align: center;">ANTENNA</p> <p>general </p> <p>dipole </p> <p style="text-align: center;"> Loop</p>	<p style="text-align: center;"> Crystal</p> <p> Timer</p> <p style="text-align: center;"> Motor</p> <p style="text-align: center;"> Generator</p> <p style="text-align: center;"> Bell</p> <p> Buzzer</p> <p style="text-align: center;"> Blower</p> <p style="text-align: center;"> Meter</p> <p style="text-align: center;"> Battery</p> <p style="text-align: center;"> Fuse</p> <p style="text-align: center;"> Circuit Breaker</p> <p style="text-align: center;"> Network Protector</p> <p style="text-align: center;"> Thermostat</p> <p style="text-align: center;"> With Make Contact</p> <p style="text-align: center;"> With Break Contact</p> <p style="text-align: center;"> Ground</p> <p style="text-align: center;"> Chassis or Frame Connection</p>	<p style="text-align: center;"> Lamp Thermal Ballast</p> <p style="text-align: center;"> Lamp Neon AC</p> <p style="text-align: center;"> Lamp Neon DC</p> <p style="text-align: center;"> Lamp Incandescent</p> <p style="text-align: center;"> Arrestor (Spark Gap)</p> <p style="text-align: center;"> Spark Gap</p> <p style="text-align: center;"> Resistor</p> <p style="text-align: center;"> Resistor Variable</p> <p style="text-align: center;"> Rheostat</p> <p style="text-align: center;"> Potentiometer</p> <p style="text-align: center;"> Thermistor</p> <p style="text-align: center;"> Varistor</p> <p style="text-align: center;"> Voltage Dependent Resistor</p> <p style="text-align: center;"> "L" Pad</p> <p style="text-align: center;"> "T" Pad</p>
<p style="text-align: center;"> Microphone</p> <p style="text-align: center;"> Loudspeaker</p> <p style="text-align: center;"> Handset F Operator's Set</p> <p style="text-align: center;"> Handset F Operator's Set With Push-To-Talk Switch</p> <p style="text-align: center;"> Adjustable or Variable Capacitors Mechanical Linkage of Units</p> <p style="text-align: center;"> Split-stator Capacitor</p> <p style="text-align: center;"> Continuously Adjustable or Variable Differential Capacitor</p> <p style="text-align: center;"> Butterfly capacitor</p> <p style="text-align: center;"> Feed Thru Capacitor</p> <p style="text-align: center;"> Neutralizer Capacitor</p>	<p style="text-align: center;"> Capacitor</p> <p style="text-align: center;"> Polarized Capacitor</p> <p style="text-align: center;"> Shielded Capacitor</p> <p style="text-align: center;"> Adjustable or Variable Capacitor</p>	<p style="text-align: center;"> Switches Ganged</p> <p style="text-align: center;"> Push-Button Switch</p> <p style="text-align: center;"> SPST</p> <p style="text-align: center;"> SPDT</p> <p style="text-align: center;"> Toggle</p> <p style="text-align: center;"> Multipoint</p> <p style="text-align: center;">Switches</p>
	<p style="text-align: center;"> Rotary Switch</p>	

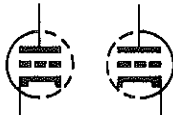
TUBE SYMBOLS



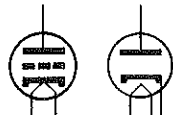
Counter Tube



Dual Triode
(Elongated Envelope)



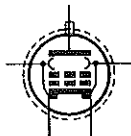
Dual Triode
(Split Envelope)



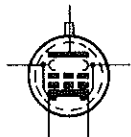
Triode



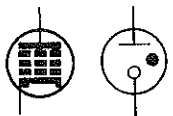
Diode



Beam Power Tetrode
(Externally Shielded)



Beam Power Tetrode
(Internally Shielded)

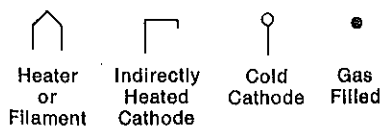
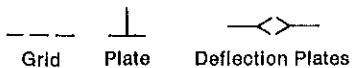


Pentode



Voltage Regulator

ELECTRON TUBE ELEMENTS



BASIC TRANSFORMER FORMULAS

$$E_s = \frac{n_s}{n_p} E_p \quad I_p = \frac{n_s}{n_p} I_s$$

$$Z_p = Z_s \left(\frac{n_p}{n_s} \right)^2$$

Where E_s = Secondary voltage
 E_p = Primary applied voltage

n_s = Number of turns on secondary

n_p = Number of turns on primary

I_s = Secondary Current
 I_p = Primary Current

Z_p = Impedance looking from Power Source into primary terminals

Z_s = Impedance of load connected to secondary.

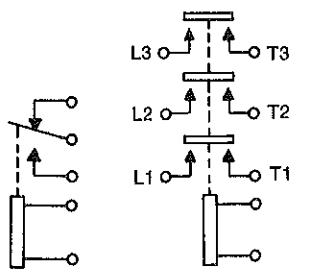
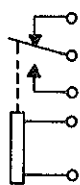
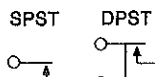


Plate Contactor Relay



SPDT Relay



SPST DPST



Relays



RF Inductor, Air Core
RF Choke



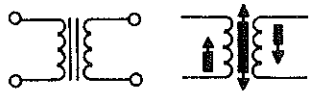
Magnetic Core Inductors



Tapped Adjustable Inductor

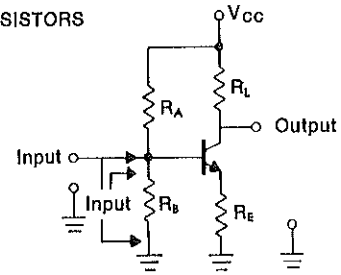


Adjustable or Continuously Adjustable Inductor



Transformer Slug Tuned Coil

TRANSISTORS



COMMON EMITTER AMPLIFIER

Output Impedance = R_L

Input Impedance = R_B

Current Gain = R_B/R_E

Voltage Gain = R_L/R_E

In general the current gain of the common emitter is beta:

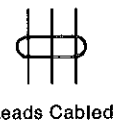
$$\beta = \frac{\Delta I_C}{\Delta I_B}$$

The current gain of the common base configuration is alpha:

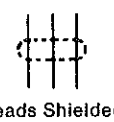
$$\alpha = \frac{\Delta I_C}{\Delta I_E}$$

α and β are related as follows:

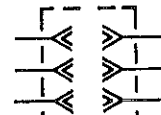
$$\alpha = \frac{\beta}{1 + \beta} \quad \text{and} \quad \beta = \frac{\alpha}{1 - \alpha}$$



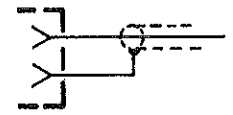
Leads Cabled



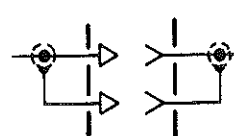
Leads Shielded



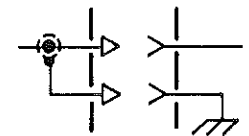
Card Type Connector



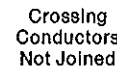
Receptacle with Shielded Lead



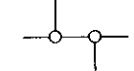
Coaxial with the Outside Conductor Shown Carried Through



Coaxial with Outside Conductor Shown Carried Through and Terminated on Chassis



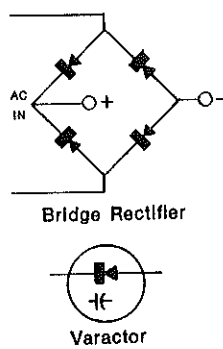
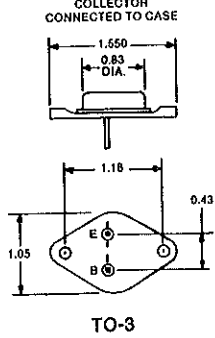
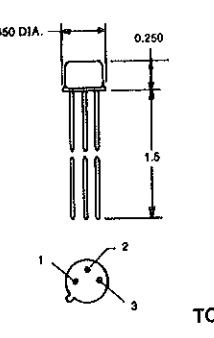
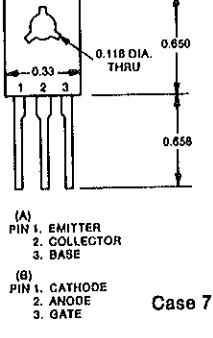
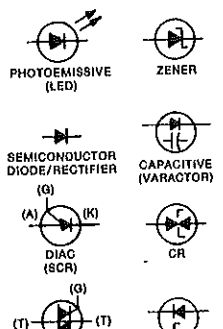
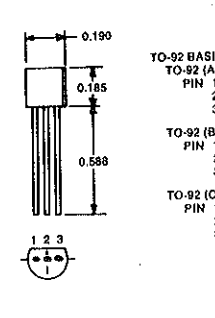
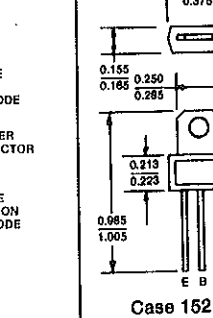
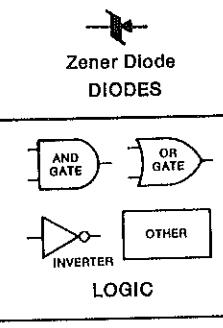
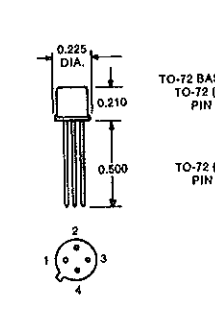
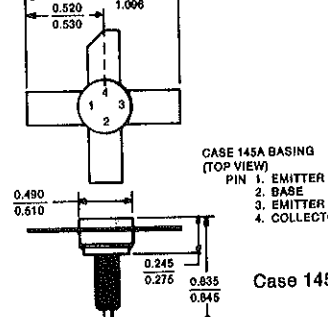
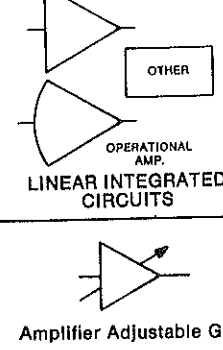
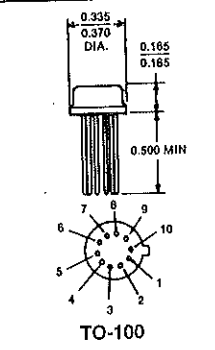
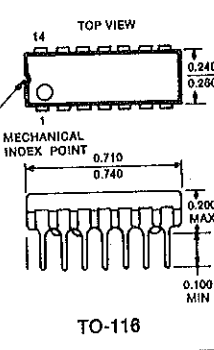
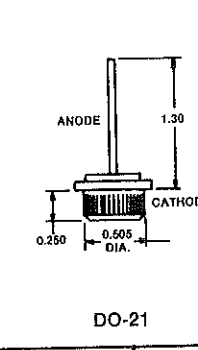
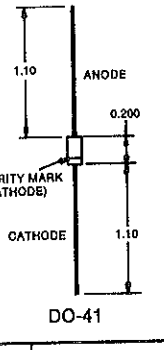
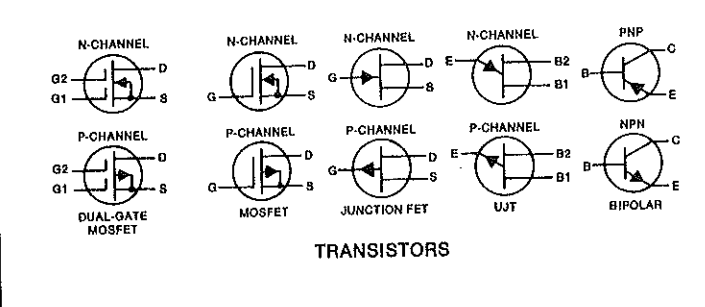
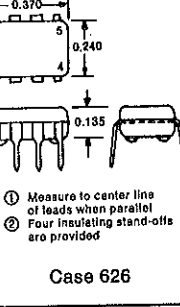
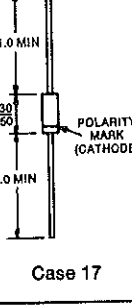
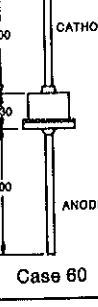
Crossing Conductors Not Joined



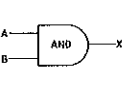
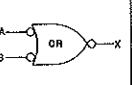
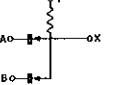
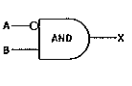
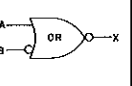
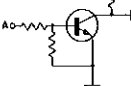
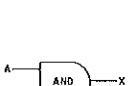
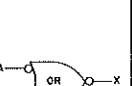




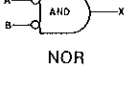
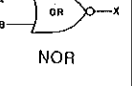
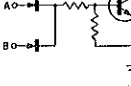
Conductors Joined

○ Terminal

COMMON SCHEMATIC SYMBOLS

 <p>Bridge Rectifier</p> <p>Varactor</p>	 <p>COLLECTOR CONNECTED TO CASE</p> <p>TO-3</p>	 <p>TO-5</p> <p>*COLLECTOR CONNECTED TO CASE **BASE CONNECTED TO CASE</p> <p>(A) 1. EMITTER 2. BASE 3. COLLECTOR</p> <p>(B) 1. CATHODE 2. GATE 3. ANODE</p>	 <p>Case 77</p> <p>(A) PIN 1. EMITTER 2. COLLECTOR 3. BASE</p> <p>(B) PIN 1. CATHODE 2. ANODE 3. GATE</p>	
 <p>PHOTOEMISSIVE (LED)</p> <p>ZENER</p> <p>SEMICONDUCTOR DIODE/RECTIFIER</p> <p>CAPACITIVE (VARACTOR)</p> <p>(G) DIAC (SCR)</p> <p>(T) TRIAC</p> <p>(L) TUNNEL</p> <p>Zener Diode DIODES</p> <p>AND GATE OR GATE</p> <p>INVERTER OTHER</p> <p>LOGIC</p>	 <p>TO-92 BASING</p> <p>TO-92 (A) PIN 1. EMITTER 2. BASE 3. COLLECTOR</p> <p>TO-92 (B) PIN 1. BASE 2. EMITTER 3. COLLECTOR</p> <p>TO-92 (C) PIN 1. ANODE 2. ANODE 3. CATHODE</p> <p>TO-92 (D) PIN 1. CATHODE 2. CATHODE 3. ANODE</p> <p>TO-92 (E) PIN 1. DRAIN 2. SOURCE 3. GATE</p> <p>TO-92 (F) PIN 1. SOURCE 2. DRAIN 3. GATE</p> <p>TO-92 (G) PIN 1. CATHODE 2. GATE 3. ANODE</p> <p>TO-92 (H) PIN 1. ANODE 1 2. GATE 3. ANODE 2</p> <p>TO-92 (J) PIN 1. BASE 1 2. EMITTER 3. BASE 2</p> <p>TO-92 (K) PIN 1. ANODE 2. GATE 3. CATHODE</p> <p>TO-92 (L) PIN 1. EMITTER 2. COLLECTOR 3. BASE</p> <p>TO-92 (M) PIN 1. ANODE 2. COMMON 3. CATHODE</p> <p>TO-92</p>	 <p>Case 152</p>		
 <p>AMPLIFIER</p> <p>OPERATIONAL AMP.</p> <p>LINEAR INTEGRATED CIRCUITS</p> <p>Amplifier Adjustable Gain</p>	 <p>TO-72 BASING</p> <p>TO-72 (A) PIN 1. DRAIN 2. SOURCE 3. GATE 4. CASE AND SUBSTRATE</p> <p>TO-72 (B) PIN 1. DRAIN 2. GATE 2 3. GATE 1 4. SOURCE SUBSTRATE AND CASE</p> <p>TO-72 (C) PIN 1. EMITTER 2. BASE 3. COLLECTOR 4. CASE</p> <p>TO-72 (D) PIN 1. SOURCE 2. GATE 3. DRAIN 4. CASE</p> <p>TO-72</p>	 <p>Case 145A</p> <p>CASE 145A BASING (TOP VIEW) PIN 1. EMITTER 2. BASE 3. EMITTER 4. COLLECTOR</p>		
 <p>N-CHANNEL</p> <p>P-CHANNEL</p> <p>DUAL-GATE MOSFET</p> <p>MOSFET</p> <p>JUNCTION FET</p> <p>UJT</p> <p>BIPOLAR</p> <p>TRANSISTORS</p>	 <p>TO-100</p>	 <p>TO-116</p>	 <p>DO-21</p>	 <p>DO-41</p>
 <p>N-CHANNEL</p> <p>P-CHANNEL</p> <p>DUAL-GATE MOSFET</p> <p>MOSFET</p> <p>JUNCTION FET</p> <p>UJT</p> <p>BIPOLAR</p> <p>TRANSISTORS</p>	 <p>Case 626</p> <p>① Measure to center line of leads when parallel ② Four insulating stand-offs are provided</p>	 <p>Case 17</p>	 <p>Case 60</p>	

COMMON LOGIC SYMBOLS

EQUIVALENT FUNCTIONS		TABLE OF COMBINATIONS	TYPICAL CIRCUITS
AND	OR	A B X	
		H H H H L L L H L L L L	
		H H L H L L L L L	
		H H L H L L L L L	
		H H L L L H L L H	
		H H L L L H L L H	

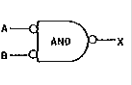
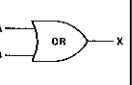
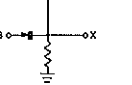
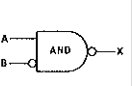
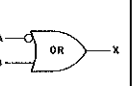
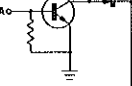
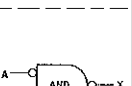
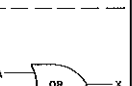
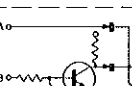


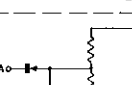
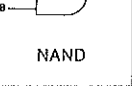
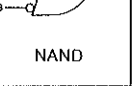
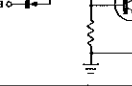
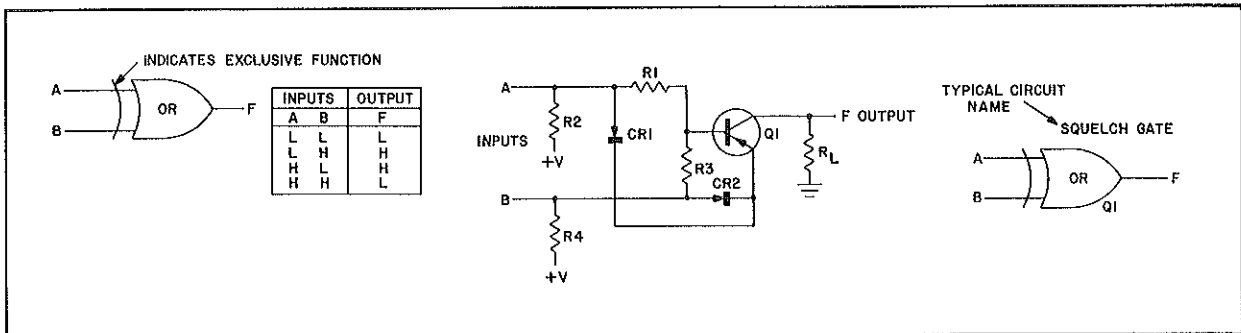
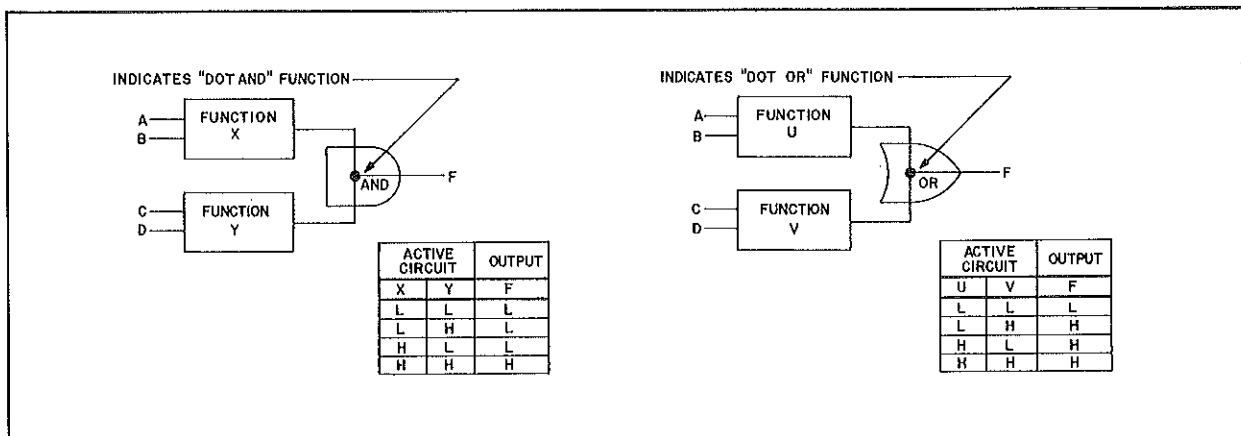
EQUIVALENT FUNCTIONS		TABLE OF COMBINATIONS	TYPICAL CIRCUITS
AND	OR	A B X	
		H H H H L H L H H L L L	
		H H H H L L L L L	
		H H H H L L L L L	
		H H L L L H L L H	
		H H L L L H L L H	

Chart of Typical AND and OR Logic Presentations Equivalent Circuit Diagrams

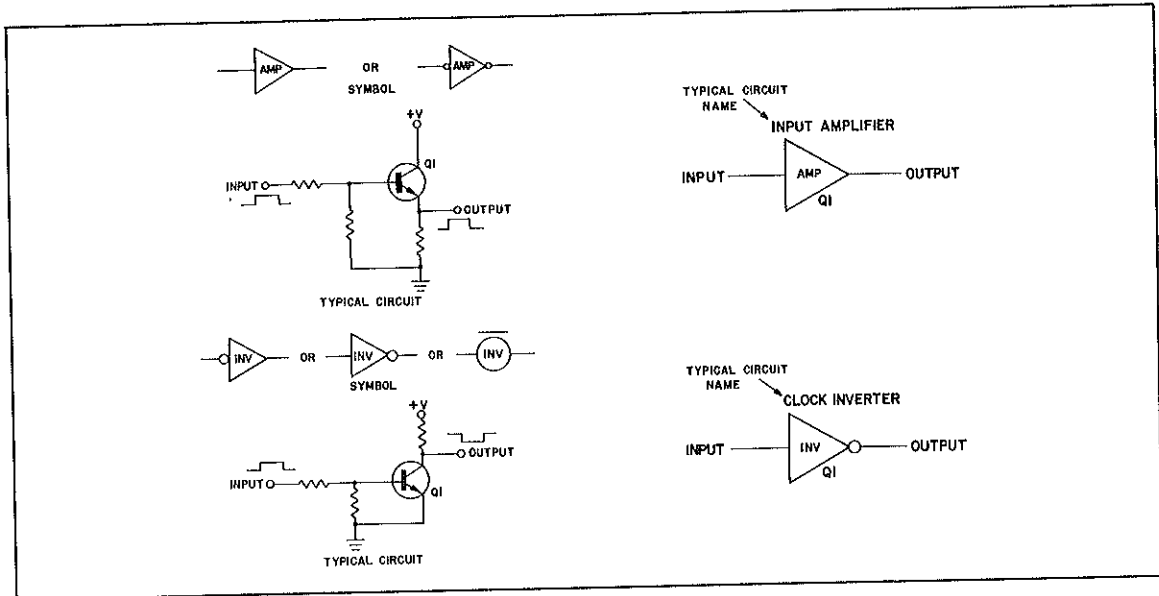


Typical Exclusive OR Gate Schematic Diagram and Logic Drawing

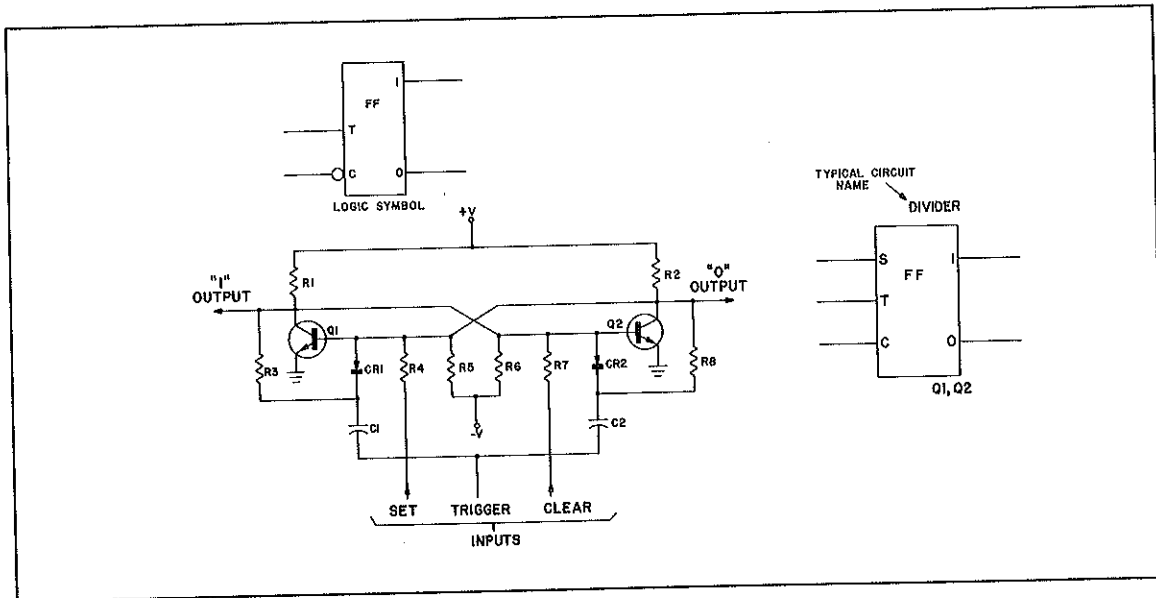


Outputs Connected for AND and OR Functions (with Combinations Tables)

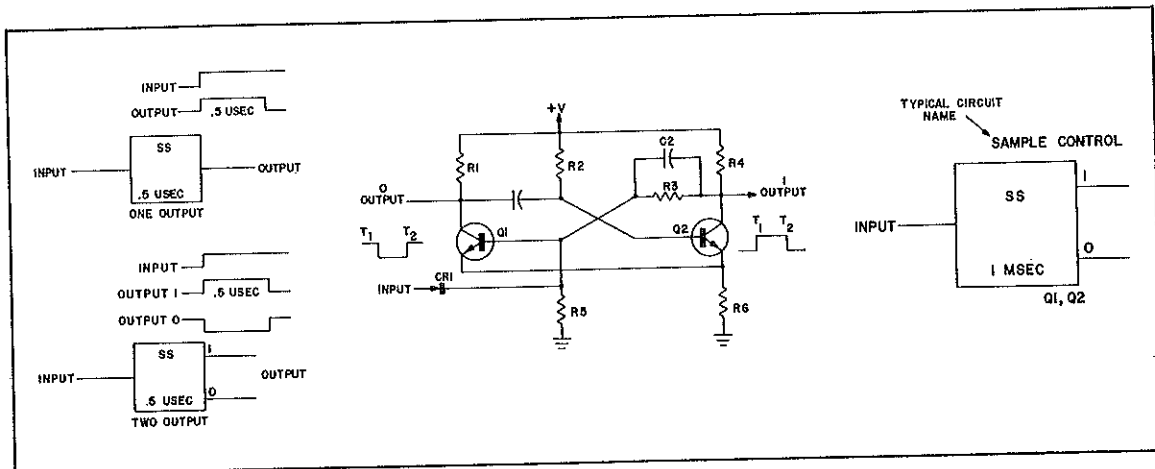
COMMON LOGIC SYMBOLS



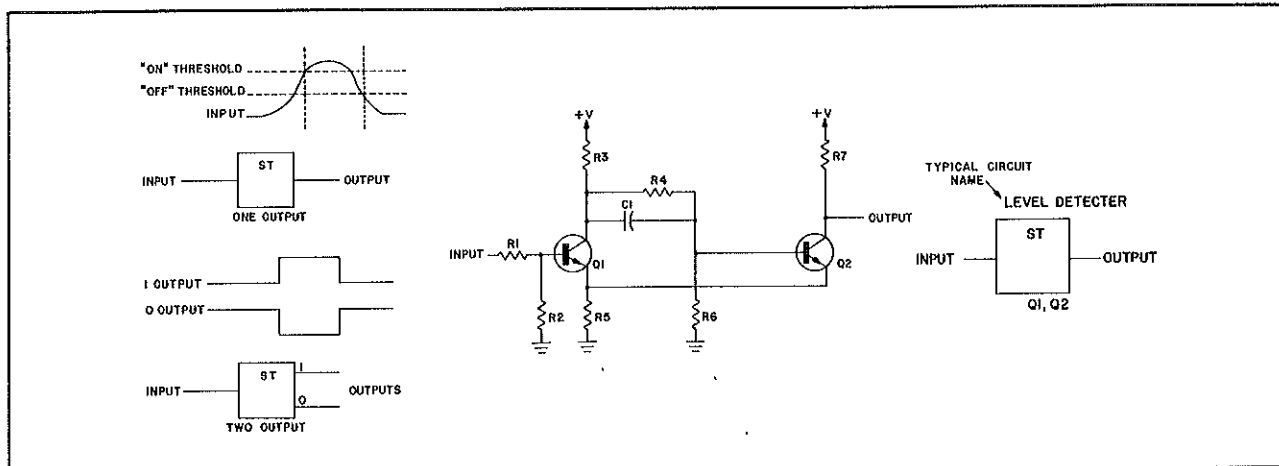
Amplifier Symbols and Typical Circuits, and Logic Drawings



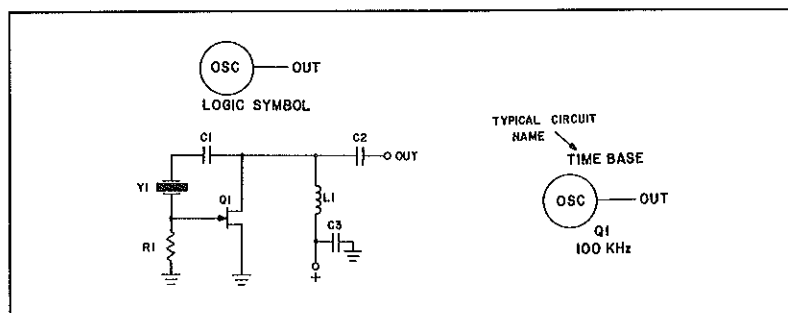
Logic Symbol and Typical Flip-Flop Circuit and Symbol Applications



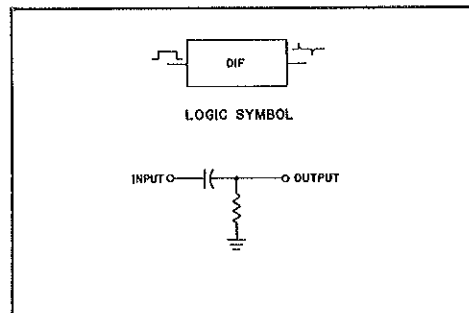
Typical Single-Shot (Monostable Multivibrator) Circuit and Logic Drawing



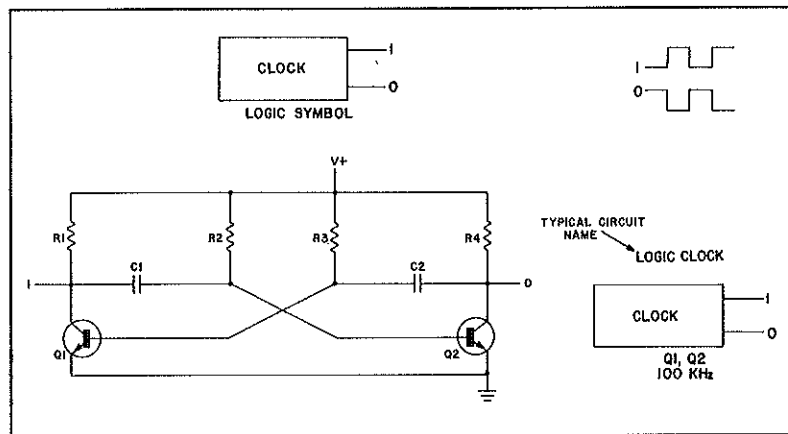
Typical Schmitt Trigger Circuit and Logic Drawing



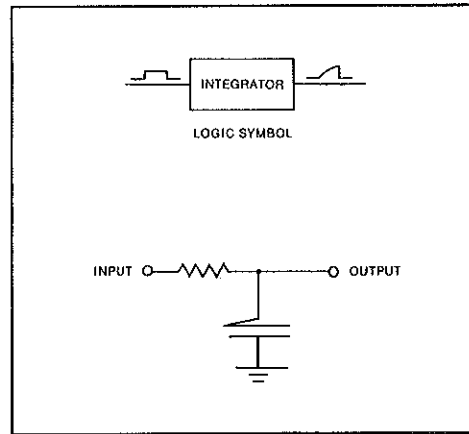
Typical Oscillator Circuit and Logic Symbol



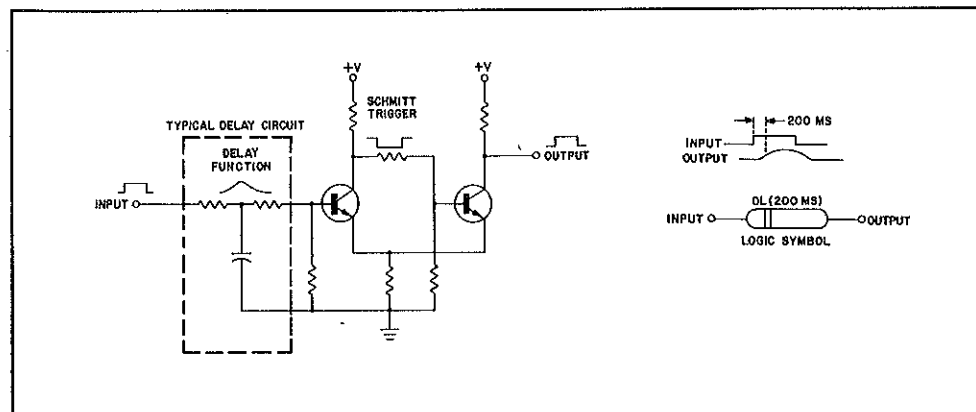
Differentiator Logic Symbol and Typical Circuit



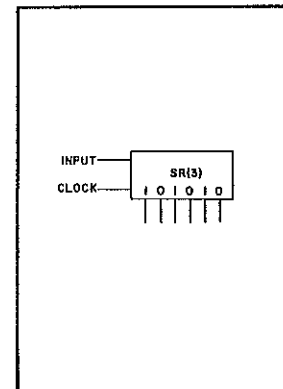
Typical Clock Circuit and Logic Symbol



Integrator Logic Symbol and Typical Circuit

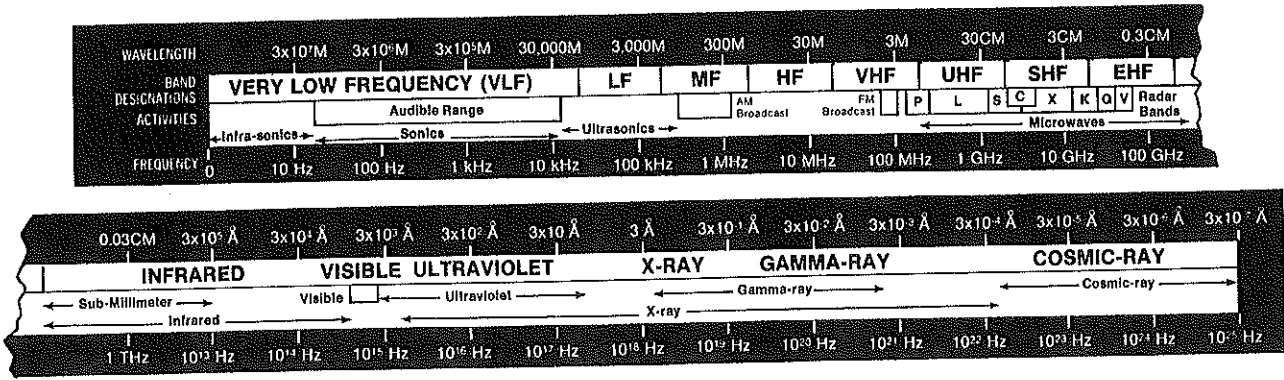


Time Delay Logic Symbol and Typical Circuit Application

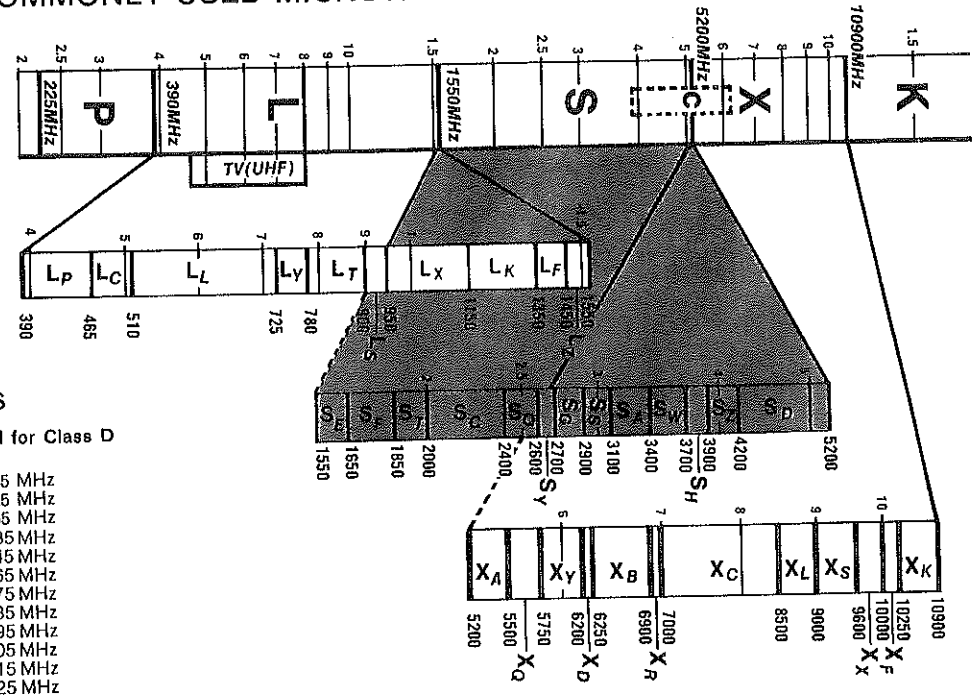


Typical Symbol for a Three-Shift Register

THE ELECTROMAGNETIC SPECTRUM



COMMONLY USED MICROWAVE LETTER BAND DESIGNATIONS



CITIZEN BANDS

Citizens Band channels authorized for Class D CB operation are:

- | | |
|---------------|---------------|
| 1—26.965 MHz | 21—27.215 MHz |
| 2—26.975 MHz | 22—27.225 MHz |
| 3—26.985 MHz | 23—27.235 MHz |
| 4—27.005 MHz | 24—27.235 MHz |
| 5—27.015 MHz | 25—27.245 MHz |
| 6—27.025 MHz | 26—27.265 MHz |
| 7—27.035 MHz | 27—27.275 MHz |
| 8—27.055 MHz | 28—27.285 MHz |
| 9—27.065 MHz | 29—27.295 MHz |
| 10—27.075 MHz | 30—27.305 MHz |
| 11—27.085 MHz | 31—27.315 MHz |
| 12—27.105 MHz | 32—27.325 MHz |
| 13—27.115 MHz | 33—27.335 MHz |
| 14—27.125 MHz | 34—27.345 MHz |
| 15—27.135 MHz | 35—27.355 MHz |
| 16—27.155 MHz | 36—27.365 MHz |
| 17—27.165 MHz | 37—27.375 MHz |
| 18—27.175 MHz | 38—27.385 MHz |
| 19—27.185 MHz | 39—27.395 MHz |
| 20—27.205 MHz | 40—27.405 MHz |

- Channels used by Part 15 CB stations are:
- | | |
|--------------|--------------|
| A—26.995 MHz | E—27.195 MHz |
| B—27.045 MHz | F—27.235 MHz |
| C—27.095 MHz | G—27.045 MHz |
| D—27.145 MHz | H—27.265 MHz |

COMMON PL FREQUENCY

XZ	67.0	1Z	100.0	4Z	136.5	7Z	186.2
XA	71.9	1A	103.5	4A	141.3	7A	192.8
XB	77.0	1B	107.2	4B	146.2	8Z	206.5
YZ	82.5	2Z	110.9	5Z	151.4	9Z	229.2
YA	85.4	2A	114.8	5A	156.7	M1	203.5
YB	88.5	2B	118.8	5B	162.2	M2	210.7
ZZ	91.5	3Z	123.0	6Z	167.9	M3	218.1
ZA	94.8	3A	127.4	6A	173.8	M4	225.7
ZB	97.4	3B	131.8	6B	178.9	M7	256.3

FREQUENCY BANDS

Frequency	Band	Abbreviation
3-30 kHz	Very low frequencies	VLF
30-300 kHz	Low frequencies	LF
300-3,000 kHz	Medium frequencies	MF
3-30 MHz	High frequencies	HF
30-300 MHz	Very high frequencies	VHF
300-3,000 MHz	Ultra-high frequencies	UHF
3,000-30,000 MHz	Super-high frequencies	SHF
30,000-300,000 MHz	Extremely high frequencies	EHF
300,000-3,000,000 MHz

U. S. AMATEUR RADIO BANDS

Bands	Frequency (MHz)
160 Meter Band	1.80-2.00*
80 Meter Band	3.50-4.00
40 Meter Band	7.00-7.30
20 Meter Band	14.00-14.35
15 Meter Band	21.00-21.45
10 Meter Band	28.00-29.70
6 Meter Band	50-54
2 Meter Band	144-148
1 1/4 Meter Band	220-225
3/4 Meter Band	420-450
.....	1,215-1,300
.....	2,300-2,450
.....	3,300-3,500
.....	5,650-5,925
.....	10,000-10,500
.....	21,000-22,000
.....	All above 40,000

*Use of this band is on a shared basis with Loran-A system of navigation.

TELEVISION CHANNEL FREQUENCIES

VHF Channels 2-13 • UHF Channels 14-69

Bandwidth per channel, 6 megacycles.

Picture carrier frequency is 1.25 megacycles above the low frequency edge of the band.

Sound carrier frequency is 0.25 megacycles below the high frequency edge of the band, and 4.5 megacycles above the picture carrier frequency.

Channel	Frequency Limits (MHz)	Video Carrier (MHz)	Audio Carrier (MHz)	Channel	Frequency Limits (MHz)	Video Carrier (MHz)	Audio Carrier (MHz)
1		(Not assigned)		36	602-608	603.25	607.75
2	54-60	55.25	59.75	37	608-614	609.25	613.75
3	60-66	61.25	65.75	38	614-620	615.25	619.75
4	66-72	67.25	71.75	39	620-626	621.25	625.75
5	76-82	77.25	81.75	40	626-632	627.25	631.75
6	82-88	83.25	87.75	41	632-638	633.25	637.75
7	174-180	175.25	179.75	42	638-644	639.25	643.75
8	180-186	181.25	185.75	43	644-650	645.25	649.75
9	186-192	187.25	191.75	44	650-656	651.25	655.75
10	192-198	193.25	197.75	45	656-662	657.25	661.75
11	198-204	199.25	203.75	46	662-668	663.25	667.75
12	204-210	205.25	209.75	47	668-674	669.25	673.75
13	210-216	211.25	215.75	48	674-680	675.25	679.75
14	470-475	471.25	475.75	49	680-686	681.25	685.75
15	476-482	477.25	481.75	50	686-692	687.25	691.75
16	482-488	483.25	487.75	51	692-698	693.25	697.75
17	488-494	489.25	493.75	52	698-704	699.25	703.75
18	494-500	495.25	499.75	53	704-710	705.25	709.75
19	500-506	501.25	505.75	54	710-716	711.25	715.75
20	506-512	507.25	511.75	55	716-722	717.25	721.75
21	512-518	513.25	517.75	56	722-728	723.25	727.75
22	518-524	519.25	523.75	57	728-734	729.25	733.75
23	524-530	525.25	529.75	58	734-740	735.25	739.75
24	530-536	531.25	535.75	59	740-746	741.25	745.75
25	536-542	537.25	541.75	60	746-752	747.25	751.75
26	542-548	543.25	547.75	61	752-758	753.25	757.75
27	548-554	549.25	553.75	62	758-764	759.25	763.75
28	554-560	555.25	559.75	63	764-770	765.25	769.75
29	560-566	561.25	565.75	64	770-776	771.25	775.75
30	566-572	567.25	571.75	65	776-782	777.25	781.75
31	572-578	573.25	577.75	66	782-788	783.25	787.75
32	578-584	579.25	583.75	67	788-794	789.25	793.75
33	584-590	585.25	589.75	68	794-800	795.25	799.75
34	590-596	591.25	595.75	69	800-806	801.25	805.75
35	596-602	597.25	601.75				

CLASSIFICATION OF RADIO EMISSIONS

Amplitude Modulated

- A0 Carrier carrying no modulation or information
- A1 Telegraphy; on-off; no other modulation
- A2 Telegraphy; on-off; amplitude-modulated tone
- A3 Telegraphy; carrier with double sideband
 - A3A Telegraphy; reduced carrier with single sideband
 - A3J Telephony, suppressed carrier with single sideband
 - A3H Telephony; full carrier with single sideband
 - A3B Telephony with two independent sidebands
- A4 Facsimile (slow-scan TV)
- A5C Television with vestigial sideband
- A9B Telephony or telegraphy with independent sidebands

Frequency- or phase-modulated

- F1 Telegraphy; frequency-shift-keyed

- F2 Telegraphy; on-off; frequency-modulated tone
- F3 Telephony; frequency- or phase-modulated
- F4 Facsimile
- F5 Television
- F6 Telegraphy; four-frequency duplex

Pulse modulated

- P0 Radar (pulsed carrier without information)
- P1D Telegraphy; on-off keying of pulsed carrier
- P2D Telegraphy; pulsed carrier tone modulated
- P2E Telegraphy; pulse width tone modulated
- P2F Telegraphy; phase or position tone modulated
- P3D Telephony; amplitude-modulated pulses
- P3E Telephony; pulse-width-modulated
- P3F Telephony; pulses phase- or position modulated

To make a specific assignment for voice or other communications a numerical prefix indicates the assigned bandwidth in KHz.

Below are 3 examples of this designation made with the assumption that the highest modulating frequency is 3000 Hz.

6A3—AM telephony where the 6 prefix indicates the bandwidth occupied by double sideband AM modulation.

3A3J—SSB, suppressed carrier where the 3 prefix refers to the total bandwidth occupied by this signal.

16F3—to determine the bandwidth required for an FM system, the following formula should be used:

$$\text{Bandwidth} = 2 (\Delta F) + 2 F_{\text{max}}$$

where ΔF = the maximum deviation in KHz and F_{max} = the highest audio modulation frequency.

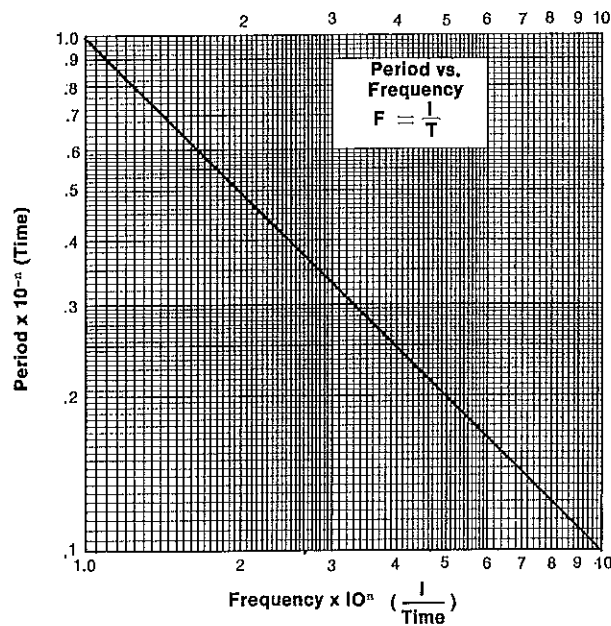
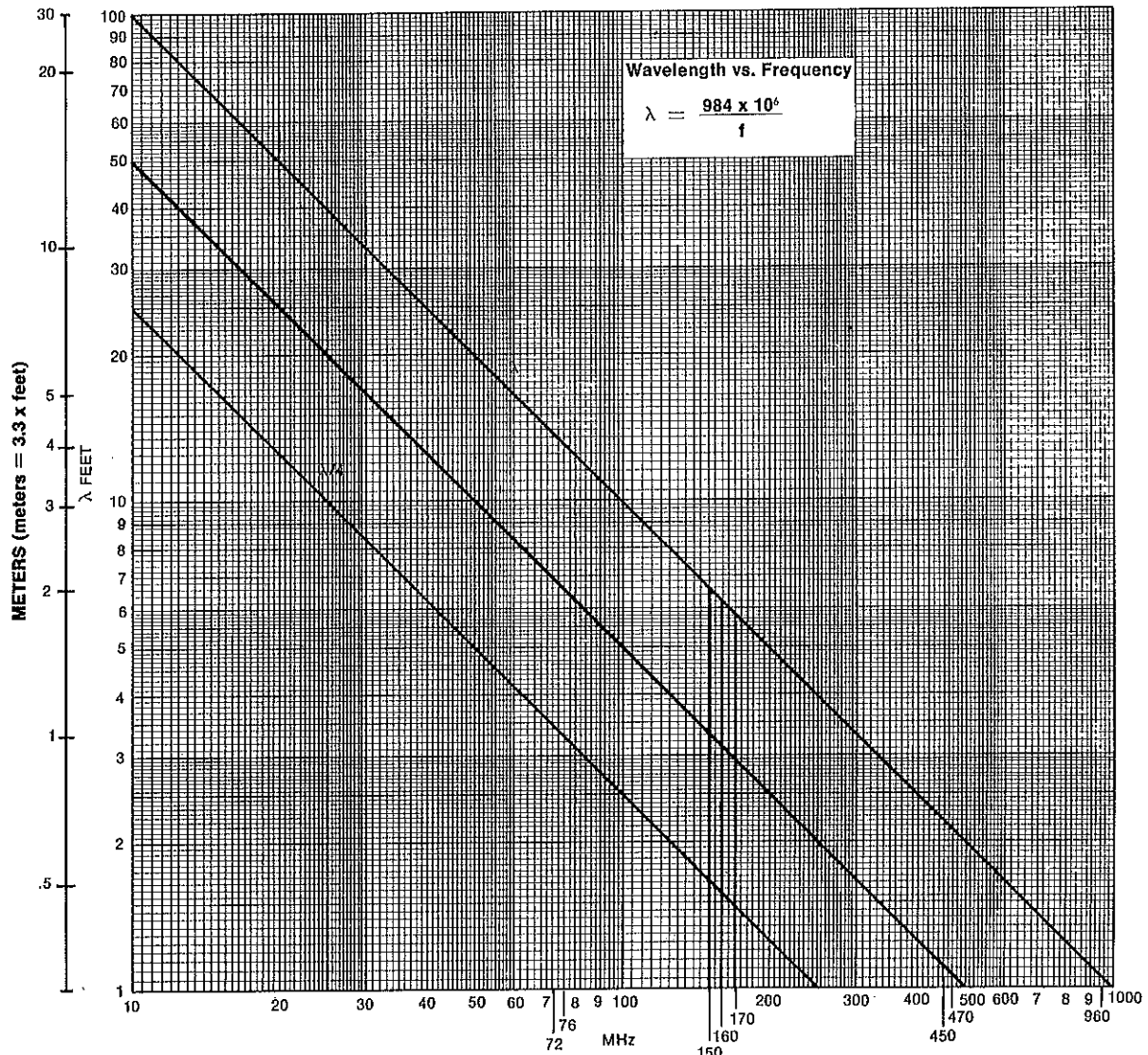
Therefore, for a narrow band FM communication system:

$$2 (5\text{KHz}) + 2 (3\text{KHz}) = 16 \text{ KHz}$$

and the emission designation becomes 16F3.



WAVELENGTH/PERIOD VRS FREQUENCY



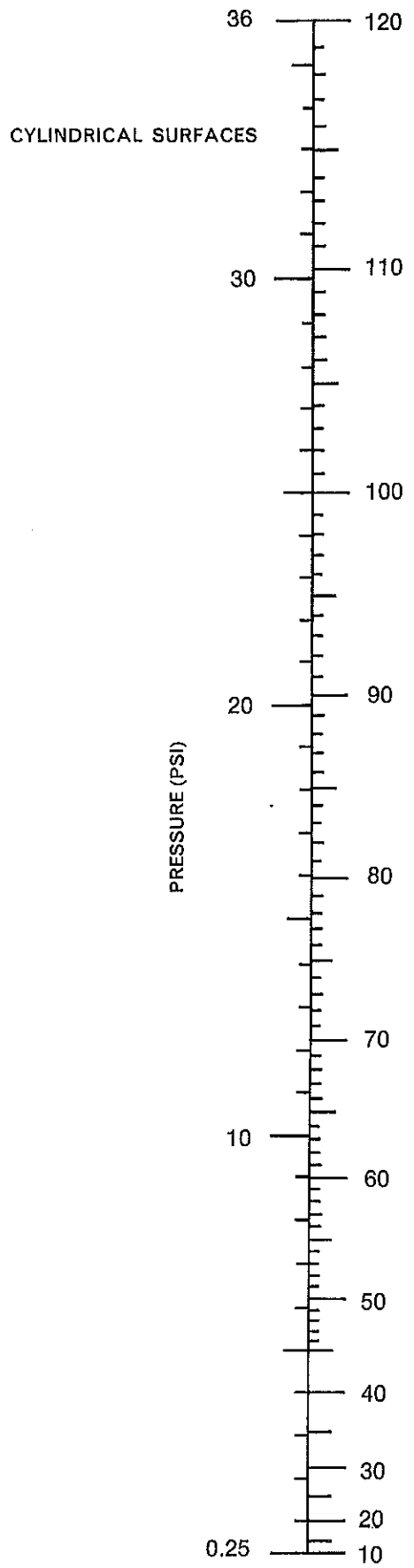
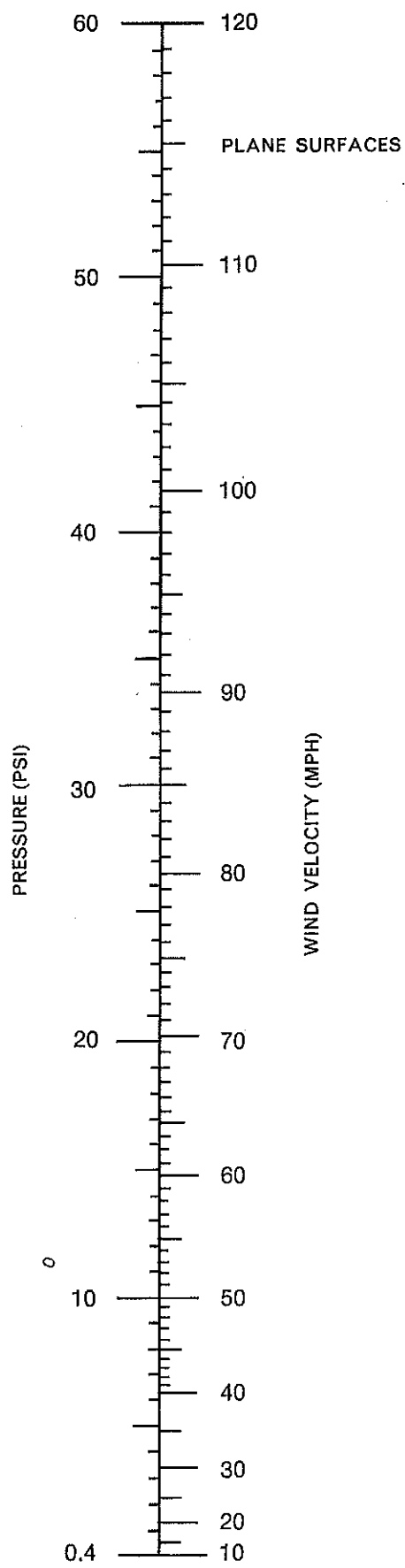
OFFICIAL NATIONAL CB 10-CODE

Signal	Meaning	Signal	Meaning	Signal	Meaning
10-1	Receiving poorly	10-27	I am moving to channel . . .	10-64	Net clear
10-2	Receiving well	10-28	Identify your station	10-65	Awaiting your next message/assignment
10-3	Stop transmitting	10-29	Time is up for contact	10-67	All units comply
10-4	OK, message received	10-30	Does not conform to FCC rules	10-70	Fire at . . .
10-5	Relay message	10-32	I will give you a radio check	10-71	Proceed with transmission in sequence
10-6	Busy, stand by	10-33	Emergency traffic at this station	10-73	Speed trap at . . .
10-7	Out of service, leaving air	10-34	Trouble at this station, help needed	10-75	You are causing interference
10-8	In service, subject to call	10-35	Confidential information	10-77	Negative contact
10-9	Repeat message	10-36	Correct time is . . .	10-81	Reserve hotel room for . . .
10-10	Transmission completed, standing by	10-37	Wrecker needed at . . .	10-82	Reserve room for . . .
10-11	Talking too rapidly	10-38	Ambulance needed at . . .	10-84	My telephone number is . . .
10-12	Visitors present	10-39	Your message delivered	10-85	My address is . . .
10-13	Advise weather/road conditions	10-41	Please tune to channel . . .	10-89	Radio repairman needed at . . .
10-16	Make pickup at . . .	10-42	Traffic accident at . . .	10-90	I have TVI
10-17	Urgent business	10-43	Traffic tieup at . . .	10-91	Talk closer to mike
10-18	Anything for you?	10-44	I have a message for you (or . . .)	10-92	Your transmitter is out of adjustment
10-19	Nothing for you, return to base	10-45	All units within range please report	10-93	Check my frequency on this channel
10-20	My location is . . .	10-50	Break channel . . .	10-94	Please give me a long count
10-21	Call by telephone	10-60	What is next message number?	10-95	Transmit dead carrier for 5 seconds
10-22	Report in person to . . .	10-62	Unable to copy, use phone	10-99	Mission completed, all units secure
10-23	Stand by	10-63	Net directed to . . .	10-200	Police needed at . . .
10-24	Completed last assignment				
10-25	Can you contact . . . ?				
10-26	Disregard last information				

REVISED OFFICIAL 10-CODE OF ASSOCIATED PUBLIC-SAFETY COMMUNICATION OFFICERS, INC.

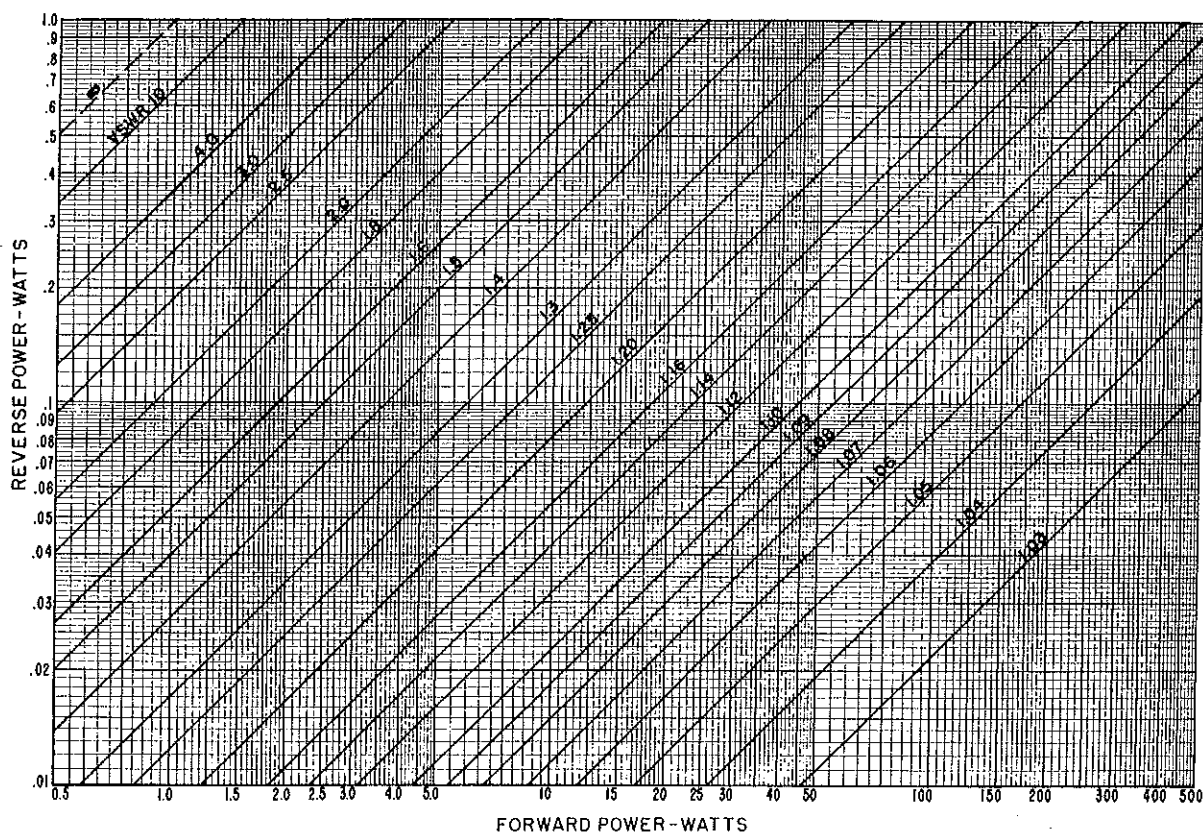
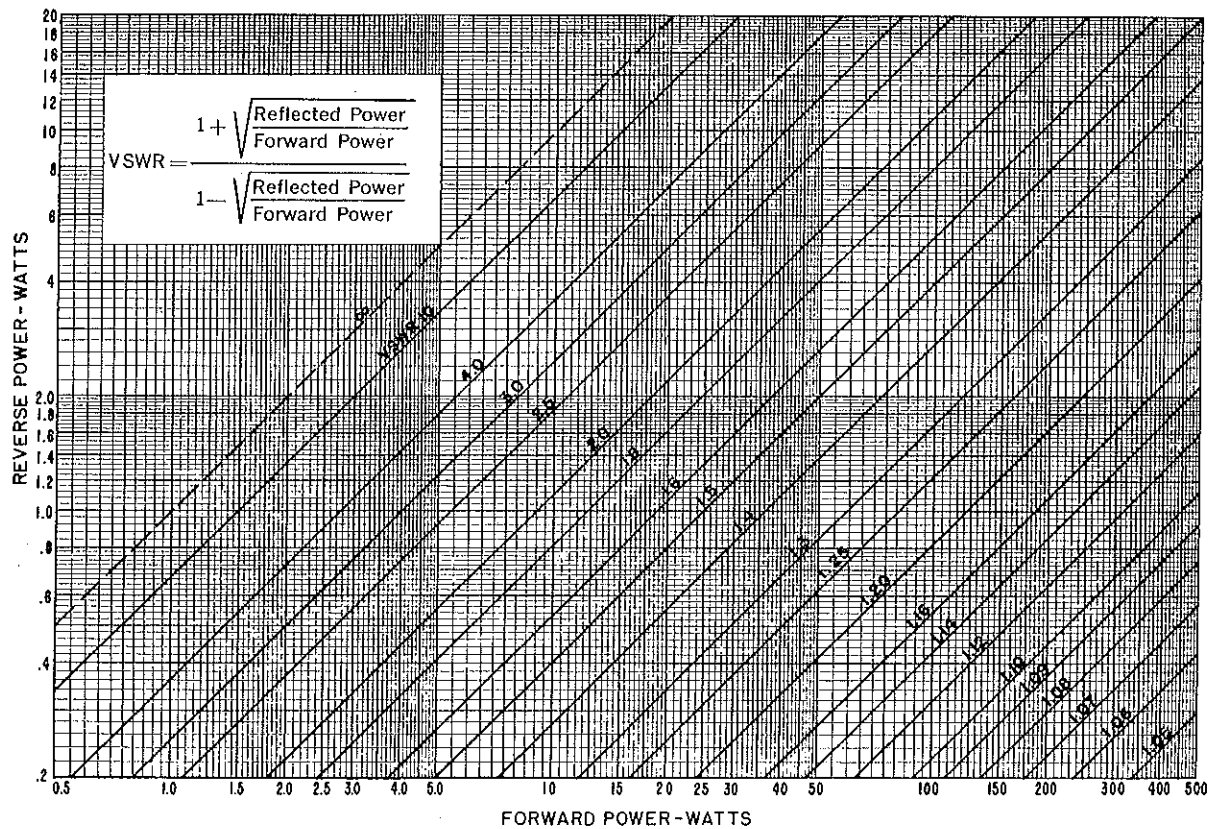
Signal	Meaning	Signal	Meaning	Signal	Meaning
10-1	Unable to copy—change location	10-33	EMERGENCY	10-63	Prepare to make written copy
10-2	Signals goods	10-34	Riot	10-64	Message for local delivery
10-3	Stop transmitting	10-35	Major crime alert	10-65	Net message assignment
10-4	Acknowledgment	10-36	Correct time	10-66	Message cancellation
10-5	Relay	10-37	Investigate suspicious vehicle	10-67	Clear to read net message
10-6	Busy—stand by unless urgent	10-38	Stopping suspicious vehicle (give station complete description before stopping)	10-68	Dispatch information
10-7	Out of service (Give location and or telephone number)	10-39	Urgent—use light and siren	10-69	Message received
10-8	In service	10-40	Silent run—no light or siren	10-70	Fire alarm
10-9	Repeat	10-41	Beginning tour of duty	10-71	Advise nature of fire (size, type, and contents of building)
10-10	Fight in progress	10-42	Ending tour of duty	10-72	Report progress on fire
10-11	Dog case	10-43	Information	10-73	Smoke report
10-12	Stand by	10-44	Request permission to leave patrol for . . .	10-74	Negative
10-13	Weather and road report	10-45	Animal carcass in . . . lane at . . .	10-75	In contact with
10-14	Report of prowler	10-46	Assist motorist	10-76	En route
10-15	Civil disturbance	10-47	Emergency road repairs needed	10-77	ETA (Estimated Time of Arrival)
10-16	Domestic trouble	10-48	Traffic standard needs repairs	10-78	Need assistance
10-17	Meet complainant	10-49	Traffic light out	10-79	Notify coroner
10-18	Complete assignment quickly	10-50	Accident—F, PI, PD	10-82	Reserve lodging
10-19	Return to . . .	10-51	Wrecker needed	10-84	Are you going to meet . . . if so, advise ETA.
10-20	Location	10-52	Ambulance needed	10-85	Will be late
10-21	Call . . . by telephone	10-53	Road blocked	10-87	Pick up checks for distribution
10-22	Disregard	10-54	Livestock on highway	10-88	Advise telephone No. to contact
10-23	Arrived at scene	10-55	Intoxicated driver	10-90	Bank alarm
10-24	Assignment completed	10-56	Intoxicated pedestrian	10-91	Unnecessary use of radio
10-25	Report in person to . . .	10-57	Hit and run—F, PI, PD	10-93	Blockade
10-26	Detaining subject, expedite	10-58	Direct traffic	10-94	Drag racing
10-27	Drivers license information	10-59	Convoy or escort	10-96	Mental subject
10-28	Vehicle registration information	10-60	Squad in vicinity	10-98	Prison or jail break
10-29	Check records for wanted	10-61	Personnel in area	10-99	Records indicated wanted or stolen
10-30	Illegal use of radio	10-62	Reply to message		
10-31	Crime in progress				
10-32	Man with gun				

PRESSURE VS. WIND VELOCITY NOMOGRAM

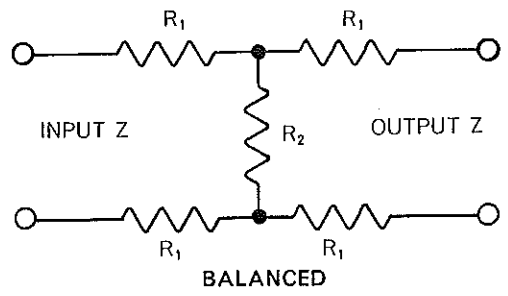
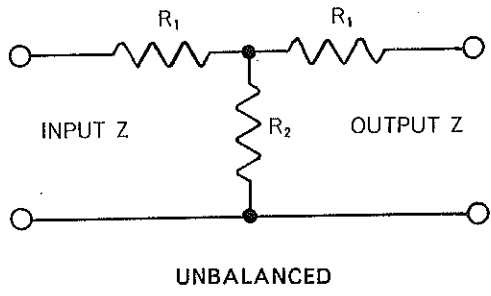


VSWR NOMOGRAPHS

Power Values vs. VSWR



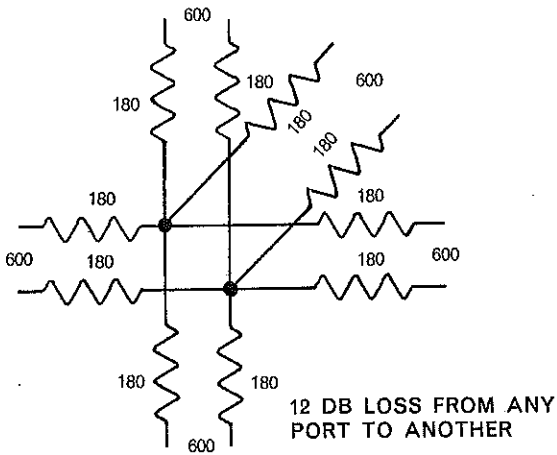
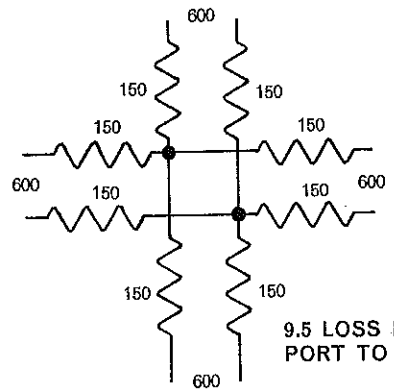
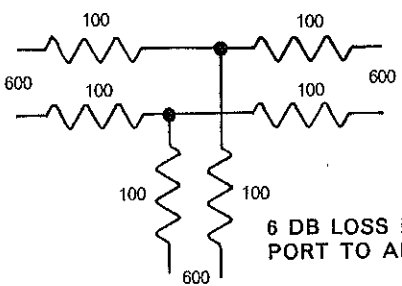
ATTENUATOR NETWORK 600 ohms



DB LOSS	R ₁	R ₂	DB LOSS	R ₁	R ₂	DB LOSS	R ₁	R ₂	DB LOSS	R ₁	R ₂
0.5	17.2	10464	16	435.8	195.1	0.5	8.6	10464	16	217.9	195.1
1	34.5	5208	17	451.5	172.9	1	17.25	5208	17	225.7	172.9
2	68.8	2582	18	465.8	152.5	2	34.4	2582	18	232.9	152.5
3	102.7	1703	19	479.0	136.4	3	51.3	1703	19	239.5	136.4
4	135.8	1249	20	490.4	121.2	4	67.9	1249	20	245.2	121.2
5	168.1	987.6	22	511.7	95.9	5	84.1	987.6	22	255.9	95.9
6	199.3	803.4	24	528.8	76.0	6	99.7	803.4	24	264.4	76.0
7	229.7	685.2	26	542.7	60.3	7	114.8	685.2	26	271.4	60.3
8	258.4	567.6	28	541.1	47.8	8	129.2	567.6	28	277.0	47.0
9	285.8	487.2	30	563.0	38.0	9	142.9	487.2	30	281.6	38.0
10	312.0	421.6	32	570.6	30.2	10	156.0	421.6	32	285.3	30.2
11	336.1	367.4	34	576.5	24.0	11	168.1	376.4	34	288.3	24.0
12	359.1	321.7	36	581.1	19.0	12	179.5	321.7	36	290.6	19.0
13	380.5	282.8	38	585.1	15.1	13	190.3	282.8	38	292.5	15.1
14	400.4	249.4	40	588.1	12.0	14	200.2	249.4	40	234.1	12.0
15	418.8	220.4				15	209.4	220.4			

Note: Values above are for 600 ohms. For 50 ohm networks, multiply by 1/12.

MULTIPLE TERMINATION MATCHING PADS



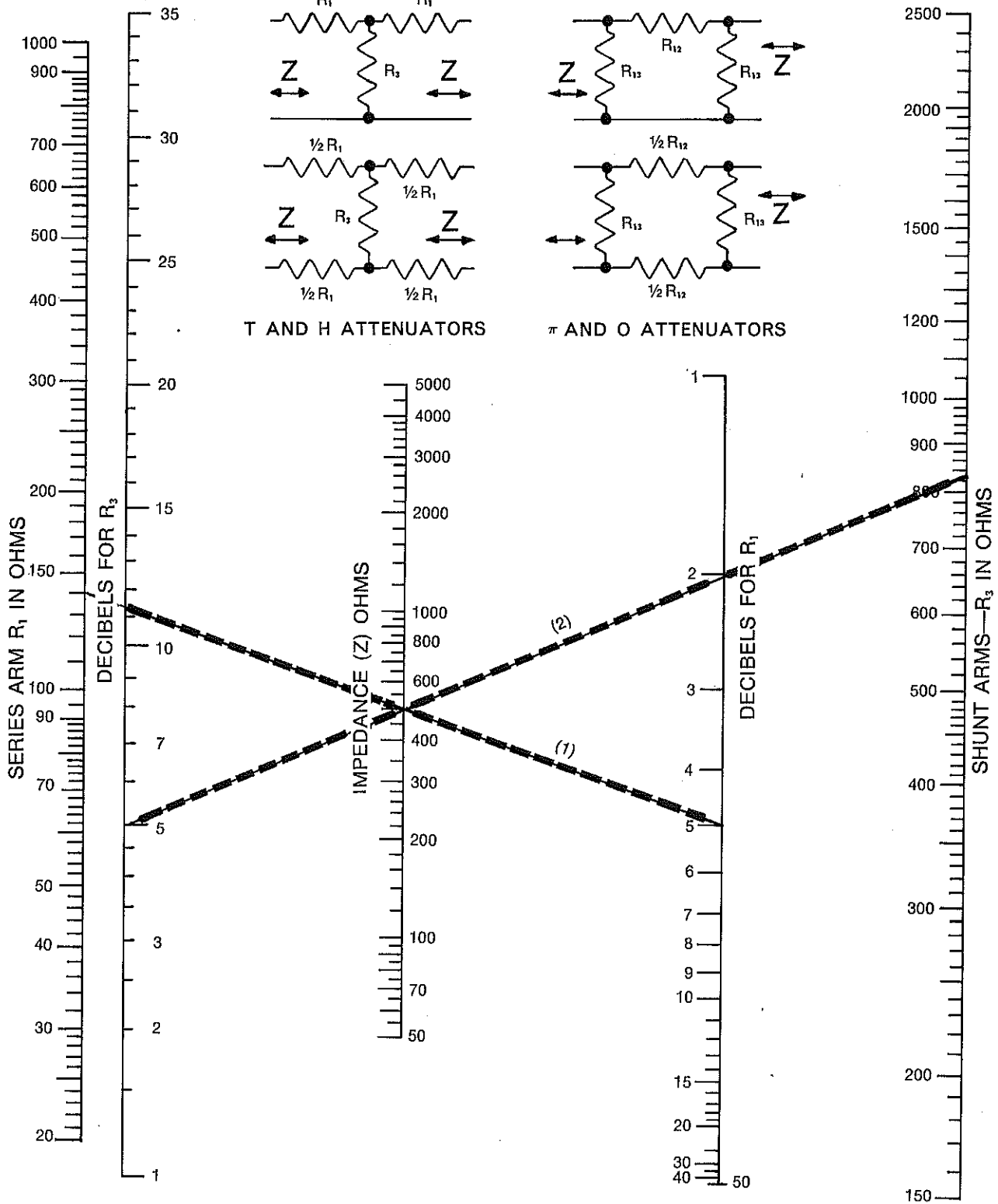
For 6-600 ohm inputs use 200 ohm resistors in a similar configuration to above. Loss from one port to any other port will be approximately 14 db.

SYMMETRICAL T AND H ATTENUATORS

A straight line through "Decibels for R_1 " and "Impedance" gives value of R_1 . Another line through "Decibels for R_3 " and "Impedance" gives value of R_3 for T and H attenuators. Example shows design of a 500-ohm attenuator with a 5-db loss. The value of R_1 is 140 ohms and that of R_3 is 822 ohms.

For symmetrical π and O attenuators, the nomograph is used to determine values of R_1 and R_3 . The values of R_{12} and R_{13} are then given by the following equations:

$$R_{12} = Z^2/R_3 \quad R_{13} = Z^2/R_1$$



DEVIATION METER CALIBRATION BESSEL FUNCTION METHOD

The deviation accuracy of a generator may be checked by the Bessel function method (carrier null). The generator can then be used to calibrate other deviation reading equipment.

The carrier null can be easily detected by connecting a simple crystal filter at the primary of the discriminator just off the collector of the second limiter, with the circuit shown in Figure 1. Any receiver having a 455 kHz i-f may be used.

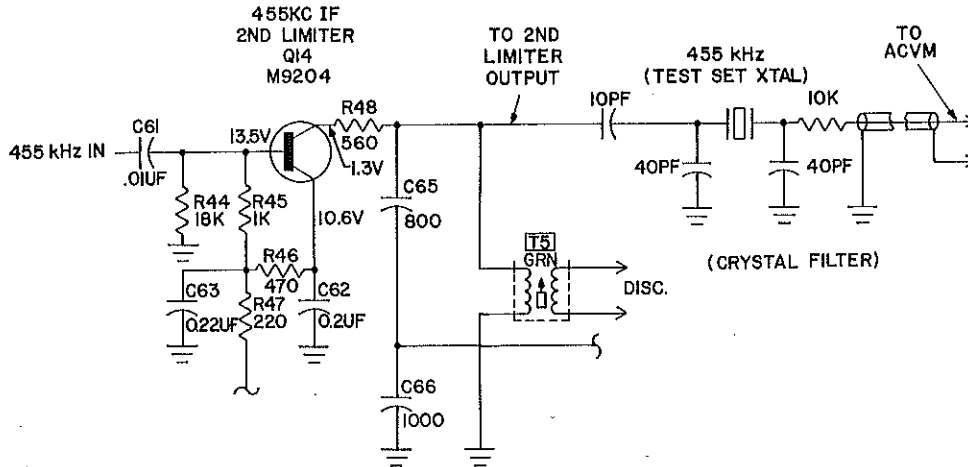


Fig. 1 (Typical Motrac I-F Limiter)

TECHNIQUE

Connect an audio generator (Motorola S-1067A) to the ext audio input of the RF signal generator (Motorola S-1318A). Place the generator in ext mode with the deviation control set at mid-range. Set the audio oscillator frequency to one of the specific frequencies listed on the null chart. Connect the r-f generator output to the receiver antenna. (Make certain the generator has been well warmed up to minimize drift.) Using a full quieting on channel signal (100 microvolts or better) tune for a peak indication on the ACVM (AC Voltmeter) by rocking the generator frequency slightly within the i-f band pass of the receiver. Slowly advance the audio oscillator output until a null is observed on

the ACVM. This is the first Bessel null and represents a specific peak deviation. The reading on the signal generator should match that indicated in the null chart. Continue to advance the deviation control. The ACVM will rise and then again drop into another null. This is the second Bessel null and again represents a specific peak deviation. This procedure can be continued for a 3rd, 4th, and 5th; each null being successively less pronounced.

The accompanying chart lists several commonly used generator modulating frequencies, nulls, and the peak deviation they represent.

BESSEL NULL CHART

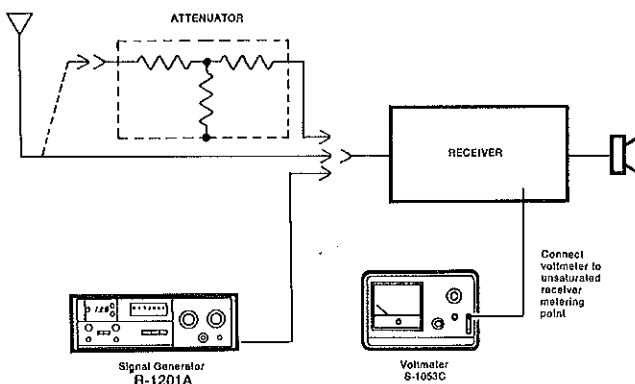
Modulating Frequencies Hz.

Peak deviation	First Null	Second Null	Third Null	Fourth Null
1 kHz	415.8	181.1	115.8	84.8
5 kHz	2070	905.7	579.1	424
15 kHz	6237	2714	1737	1272

RULE OF THUMB:

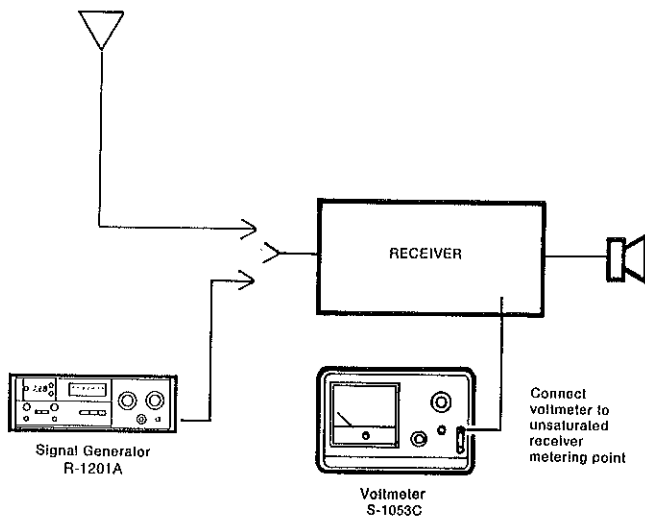
Note that the modulating frequencies for a given null have approximately the same multiple relationship as the corresponding peak deviations, i.e., for the first null, 1 kHz at 416 Hz, 5 kHz at $5 \times 416 = 2080$ Hz, and 15 kHz at $15 \times 416 = 6240$ Hz.

IDENTIFYING RECEIVER PRODUCED INTERMODULATION



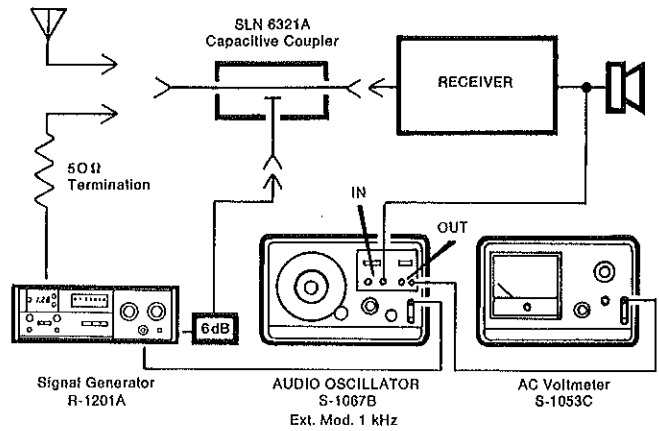
1. With antenna connected to receiver, note indication produced by IM product at meter.
2. Substitute signal generator for antenna, advance output until identical meter indication is obtained. Note generator output.
3. Now, connect antenna through attenuator of known loss (signal generator pad perhaps) to receiver. Note indication now produced by product at meter.
4. Substitute signal generator at receiver input, advance output to yield identical indication, and note generator output.
5. If the difference between signal generator outputs is equal to attenuator loss, the IM product is not being produced within the receiver.
6. If the difference exceeds attenuator loss (usually by three or more times), the IM product is being produced in the receiver.

MEASURING RECEIVER INPUT LEVEL



1. With antenna connected to the receiver, observe the indication of the voltmeter when undesired signal is present.
2. Substitute signal generator for the antenna and adjust signal generator to the receiver frequency.
3. Advance signal generator output to yield a meter indication identical to that obtained in step 1.
4. Read undesired signal level from the signal generators output calibration.

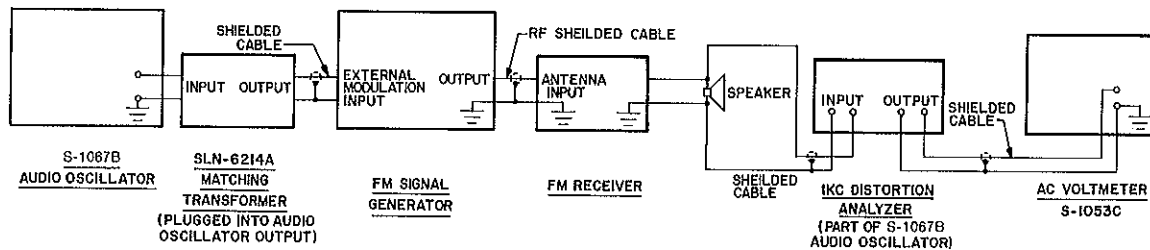
MEASURING EFFECTIVE SENSITIVITY



1. Measure and record basic sensitivity of the receiver.
2. Connect test setup as shown above. Apply resistive termination to capacitive coupler, adjust coupling so that quieting is obtained with generator output in the range of 2K to 5K microvolts.
3. Measure and record sensitivity of receiver through the capacitive coupler.
4. Substitute antenna for resistive termination. Again, measure sensitivity and record.
5. Calculate effective sensitivity as follows:

$$\text{Effective Sensitivity} = \text{Basic Sensitivity} \times \frac{\text{Sensitivity with antenna (Step 4)}}{\text{Sensitivity with termination (Step 3)}}$$

EIA SINAD SENSITIVITY MEASUREMENT—METHOD 1



Typical Test Set-Up For EIA SINAD Receiver Sensitivity Measurement

1. Connect the test equipment to the receiver as indicated.
2. Turn on all test equipment and apply power to the receiver.
3. Adjust the OFF-AMPLITUDE control on the audio oscillator for minimum output.
4. Set the FM signal generator to the receiver frequency and its output to 1000 microvolts.
5. Set the audio oscillator output frequency to 1 kc and adjust the OFF-AMPLITUDE control for a deviation reading on the FM signal generator of 2/3 of the maximum rated receiver deviation.
6. Adjust the receiver volume control to obtain the rated audio output. The a-c voltmeter can be used to measure the audio output voltage if the power output rating and speaker impedance are known by using the formula $V = \sqrt{PR}$. For example, if the audio output rating is 5 watts and the speaker impedance is 3.2 ohms, then $V \text{ (rms)} = \sqrt{5 \times 3.2} = 4 \text{ volts}$.
7. Move the LEVEL-BALANCE slide switch on the audio oscillator to the LEVEL position. Adjust the LEVEL control for an a-c voltmeter reading of 1 volt, full scale.
8. Move the LEVEL-BALANCE slide switch to the BALANCE position. Adjust the BALANCE control for a dip or minimum reading on the a-c voltmeter. Use the meter scale of the a-c voltmeter that will provide a mid-scale reading.
9. Adjust the audio oscillator fine-frequency adjust control to obtain a dip or minimum reading on the a-c voltmeter.
10. Repeat Steps (8) and (9), in that order.

The a-c voltmeter reading obtained in Step (10) is the receiver distortion level in percentage. This figure is not used for the sensitivity measurement, however, the control settings to obtain

this figure are used, therefore, DO NOT disturb the BALANCE control setting or the audio frequency setting after completing Step (10).

11. Set the a-c voltmeter to its 1-volt full scale range. Move the LEVEL-BALANCE slide switch on the audio oscillator to the LEVEL position. Note the a-c voltmeter reading in dB (+2.3 dB is equal to 1 volt).

12. Reduce the output signal level of the FM signal generator (generator output reduced to be approximately equal to 12 dB of the SINAD sensitivity of the receiver) so that the difference in a-c voltmeter reading between the LEVEL-BALANCE slide switch in the LEVEL position and BALANCE position is 12 dB. This function is represented by the expression:

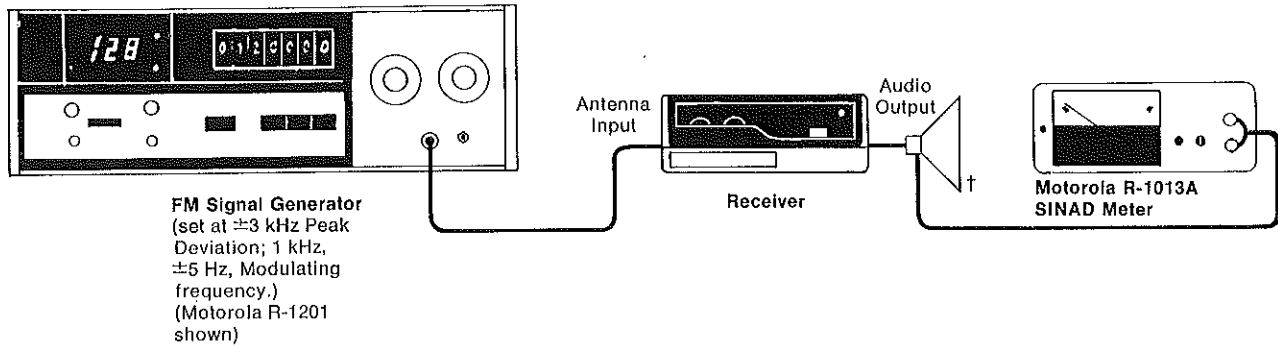
$$\frac{\text{LEVEL}}{\text{BALANCE}} = \frac{\text{Signal + Noise + Distortion}}{\text{Noise + Distortion}} = 12 \text{ dB}$$

NOTE To more quickly obtain the results of Step (12), use the left hand to adjust the signal level of the FM generator and the right hand to move the slide switch back and forth between the LEVEL and BALANCE positions.

13. Read the FM signal generator output in microvolts. At this input level, if the receiver output level is 50% of the rated audio output without readjustment of the receiver volume control (set in Step 6), the r-f input level is the EIA 12 dB SINAD sensitivity of the receiver. If the audio output is less than 50% of the rated audio output, increase the r-f signal input until 50% of full rated audio output is obtained. This level of r-f signal is the EIA 12 dB SINAD sensitivity of the receiver.



EIA SINAD SENSITIVITY MEASUREMENT—METHOD 2



1. Set Signal Generator precisely on channel frequency.
2. Insert strong signal into receiver and set volume to comfortable level.*
3. Decrease Signal Generator level until R-1013A reads 12 dB.
4. Signal Generator output level is the 12 dB SINAD sensitivity of the receiver.

*This is a suitable procedure for service shops and production line testing. To obtain SINAD to EIA specifications, the volume should be set to receiver's rated audio output.

†Note when connecting the SINAD meter to the speaker jack of a radio, care must be taken to properly terminate the radio in its appropriate speaker impedance.

COMMUNICATIONS MAGAZINES AND ORGANIZATIONS

Communications

1900 West Yale, Englewood, Colorado 80110

Circulation manager: Mary Kiernan

Monthly

\$14.00 per year, \$22.00 for two years, \$28.00 for three years.

Editorial policy: Professional journal of business communications covering the full gamut of the private communications industry.

Associated Public-Safety Communications Officers, Inc.

Chairman, Membership and Activity Committee: Mr. Weldon P. Hale, Baltimore County, 308 Centre Avenue, Towson, Maryland 21204.

Membership classes:

Active	Operator	Sustaining
Engineer/Technician	Commercial	Associate

Membership Dues: According to individual needs of the 25 Chapters.

For membership apply to:

J. Rhett McMillian, Jr., Executive Secretary
105½ Canal Street P.O. Box 669 904/428-8700; 904/428-4015
New Smyrna Beach, Florida 32069

Association purpose: The purpose of APCO is to foster the development and progress of the art of Public Safety Communications and to promote greater correlation of the communications activities of towns, cities, counties, states, and federal agencies; assist in the development of channels, methods, systems, and other media for the rapid and accurate collection, exchange, and dissemination of public safety communications; to represent such agencies before the Federal Communications Commission and other regulatory bodies.

Official Publications: The APCO BULLETIN, Journal of Public-Safety Communications. A monthly publication.

Communications News

402 West Liberty Drive
Wheaton, Illinois 60187

Circulation manager: Dorothy Derpack

Monthly

\$7.00 per year, \$11.00 for two years, \$15.00 for three years.

Communications News publishes all that is new in voice, signal and data communications with heavy emphasis on case histories, "how-to" articles, and new products and available literature.

National Association of Business and Educational Radio, Inc. (NABER)

1330 New Hampshire Ave. N.W., Washington, D.C. 20036

Membership chairman: Charles E. Summers

Membership classes, qualifications, and dues for each: Active—Voting—(Business Radio Licensee)—\$15.00 annual. Associate—non-voting—(others)—\$15.00 annual.

Purpose: To represent the Business Radio Licensees in actions by Federal Agencies affecting the use of mobile radio systems.

Title of official publication: Action Magazine

1330 New Hampshire Ave. N.W., Washington, D.C. 20036

Circulation manager: Val J. Williams Frequency: 10 times a year.

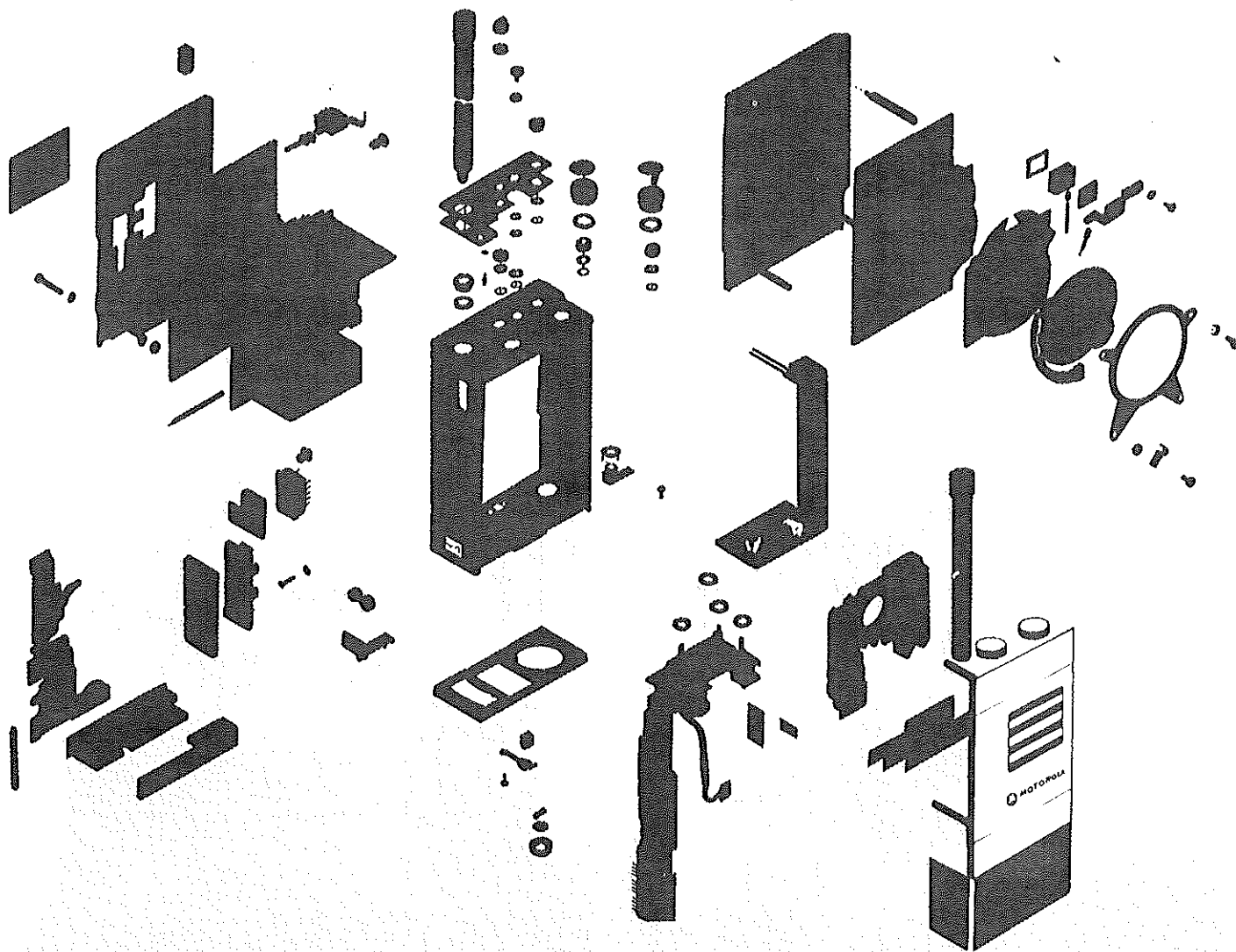
Subscription qualifications or rates: Free to members, \$5.00 per year to non-members.

Editorial policy and coverage: Dedicated to expansion of spectrum available to Land Mobile Radio; educational programs on proper use of radio systems; industry news; actions by the FCC; and position of NABER and other user organizations on major issues involving mobile radio use.

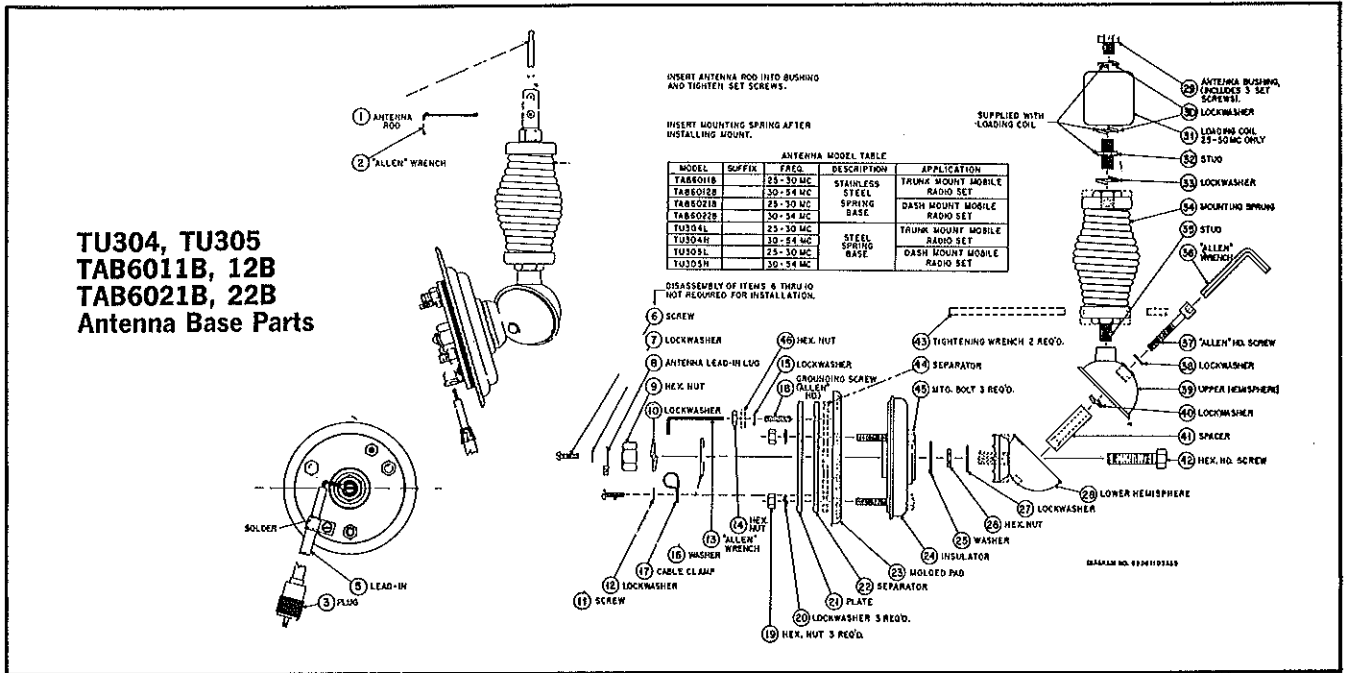
Parts Lists

- Easy to use Replacement Parts Information
- Cross-Reference Charts
- Broad Product Coverage

For your convenience, this section features extensive "exploded" views of various replacement parts with corresponding model numbers . . . complete information at a single glance.



Antennas, Mobile

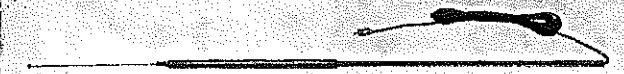


ANTENNA BASE PARTS

REF. NO.	MODEL & PART NO.	MODEL & PART NO.
	TU304L, TU304H TU305L, TU305H	TAB6011B, TAB6012B TAB6021B, TAB6022B
1	47-84953B02 (Replaces 47-840613)	47-84953B02 (Replaces 47-840613)
2	66K106515	66K106515
3	28A42310	28A42310
5	TKN6132B (Trunk mount radio set)	TKN6132B (Trunk mount radio set)
	TKN-6133B (dash mount radio set)	TKN-6133B (dash mount radio set)
6	3S6996	3S6996
7, 12, 15	4S7657	4S7657
8	29R3017	
9	2K838910	2S122302
10	4S7694	4S7694
11	3K838908	3-7154
13	66K21442	66K21442
14	2S7003	2-7007
16	4K838909	4S1780
17	42-82788G03	42-82788G03
18	3K838908	3S838908
19	2S2878	2S1384
20	4S119331	4S9747
21	4K838907	
22	4K838906	4S838906
23		32-82787G01 (Replaces 75-82021E10)
24	14K838905	14-82448L01 (Replaces 14-82021E11)
25		04-122089 (Replaces 04-82792G01)
26		2P82792G02
27		4S2640
28	58K838904	43P82792G08
29	43A844171	43K844171
30	4S9748	4S9748
31	TJB6071A	TJB6071A
32	46A892924	46A892924
33	4S7685	4S9748
34	51B85936	41B82784G01
36	66K85988	66A82031E01

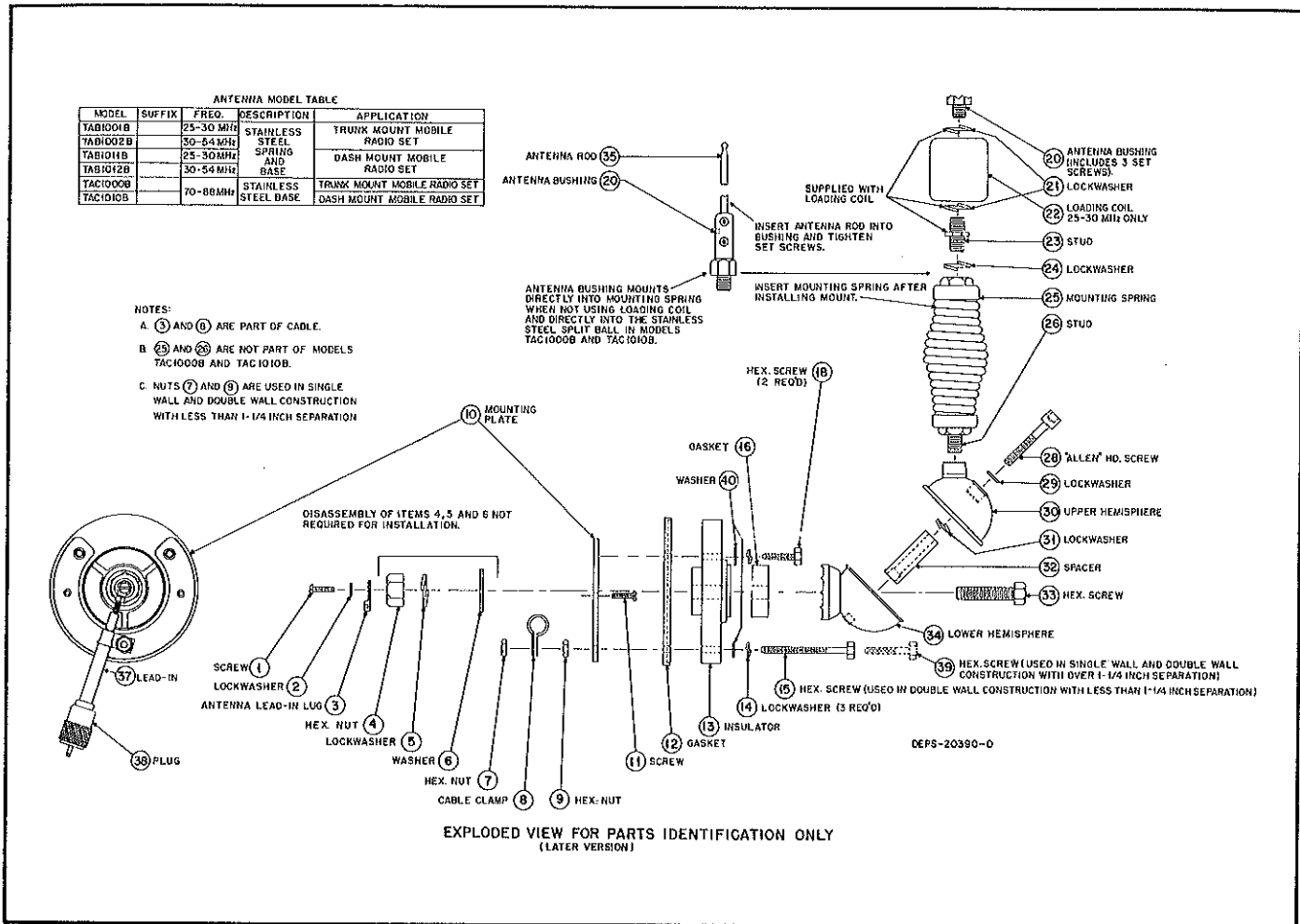
REF. NO.	MODEL & PART NO.	MODEL & PART NO.
	TU304L, TU304H TU305L, TU305H	TAB6011B, TAB6012B TAB6021B, TAB6022B
37	3K838902	3P82792G06
38	4S7685	4P82792G05
39	58K838903	01-82444L01 (Replaces 43-82792G07)
40		4S7654
41		43-82449L01 (Replaces 43-82792G04)
42		03-82446L01 (Replaces 03-82792G03)
43	47A474859	
44	4K838906	
45	3S7328	
46	2S7003	
NON-REFERENCE ASSEMBLY		
	51B85937 Base assembly	1-82782G01 Base assembly
	1V842101 Mounting kit	1V80722A13 Mounting kit

MISCELLANEOUS



PART NUMBER	DESCRIPTION
47-82188A04	For TAD-6050A (132-144 MHz)
47-82188A01	For TAD-6041A (144-150 MHz)
47-82188A02	For TAD-6042A (150-162 MHz)
47-82188A03	For TAD-6043A (162-174 MHz)
47-474915 (Replaces 47-847860)	For TAE-6010A (450-470 MHz)
47-474915 (Replaces 47-847860)	For TAE-6020A (450-470 MHz)
43-82164E01	Bushing, (used on 450-470 MHz only)
15-837066	Rubber Snubber
14-82543E01	Insulator & Ferrule
2-122302	Nut 1/2 x 20 Stainless Steel (2 used)
	Replaces 2-121052
3-9717	Set screw, 8-32 x 3/16"
66-21442	Wrench, allen

NOTE: Mast threaded on 132-174 MHz models only.

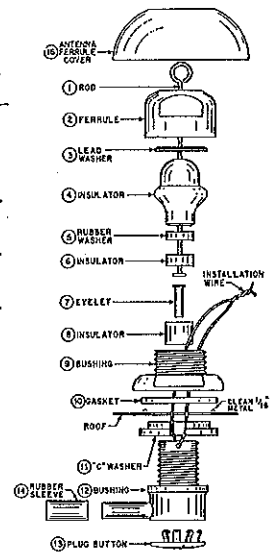


ANTENNA BASE PARTS

REFERENCE SYMBOL	MOTOROLA PART NO.	REFERENCE SYMBOL	MOTOROLA PART NO.
1	3-400927	26	46-82447L01
2	4-2646	28	3-139664
3	29-5238	29	4P82792G05
4	2-139660	30	1-82444L01
5	4-9776	31	4-9775
6	4-138111	32	43-82449L01
7, 9	2-9644	33	3-82446L01
8	42A82788G01	34	1-82450L01
10	64B82786G01	35	47-84953B01 (72")
11	3-1985		47-84953B02 (96")
12	32A82787G01	36	66K106515
13	14-82448L01	37	
14	4S9747	RG8/U order PK-358 (100 ft.)	
15	3A82789G02	or	
16	32-82445L01	RG58/U order PK-362 (100 ft.)	
18	3A82789G01	38	28A42310
20	43K844171	39	3S490759
21	4S9748		
22	TJB6071A	NON-REFERENCED ITEMS	
23	46A892924	Base Assembly TLN6589B	
24	4S9748	Cable Assembly (8 ft.) TKN6132B	
25	41-82443L01	Cable Assembly (20 ft.) TKN6133B	

P8553B ROOFTOP TYPE ANTENNA REPLACEMENT PARTS

MOTOROLA PART NO.	REF. SYMBOL	DESCRIPTION
47-474915	1	Rod
43A 480576	2	Ferrule
4A 474911	3	Washer
14A 480572	4	Insulator
4A 480571	5	Washer
14A 480568	6	Insulator
5A 474921	7	Eyelet
14K 480569	8	Insulator
43A 480573	9	Bushing
32A 474917	10	Gasket
4A 474901	11	Washer
43K 480557	12	Bushing
38A 474919	13	Button
37-61348	14	Sleeve
15A 475299	16	Cover
66A 480578	Not Shown	Wrench



Antennas, Mobile

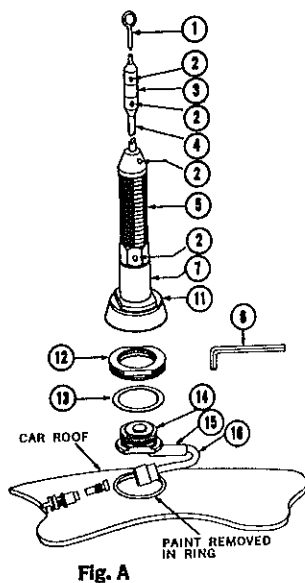


Fig. A

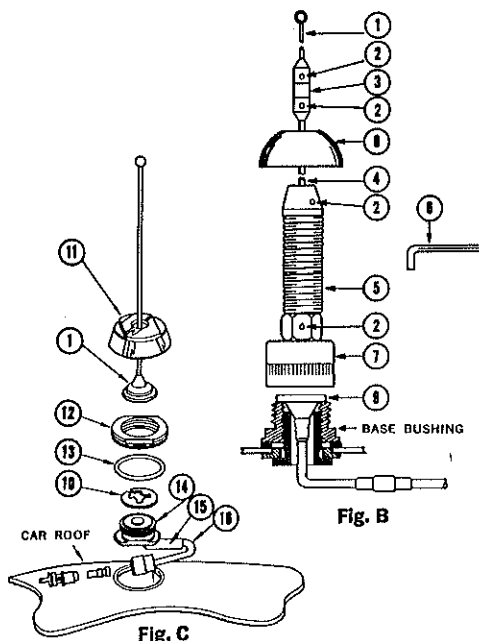


Fig. B

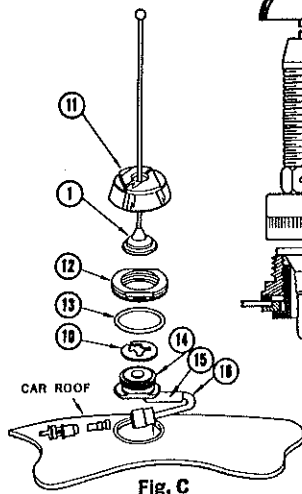


Fig. C

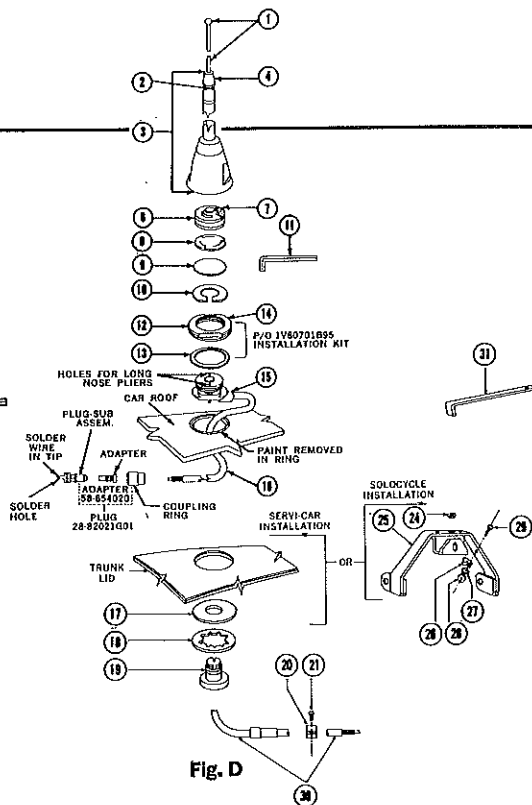


Fig. D

TLE 6211, TLE 6212A
TAE 6071A, TAE 6072A

TAD 6111A, 12A, 13A, 14A, 15A
TAE 6051A, 52A, 53A & 54A

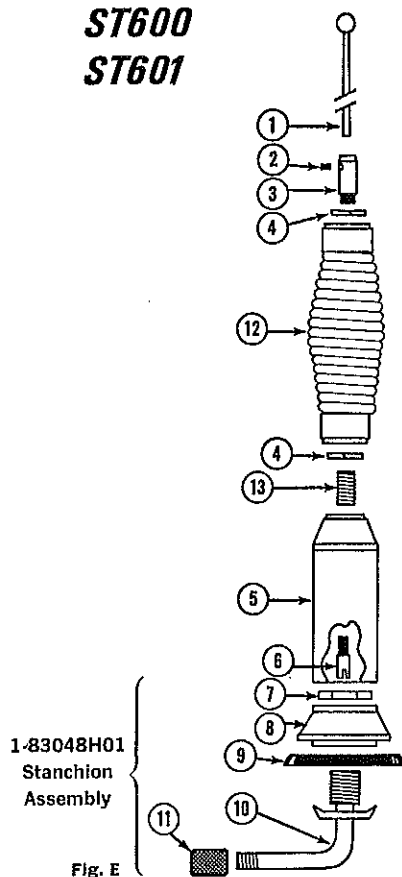
ANTENNA REPLACEMENT PARTS LIST

MOTOROLA PART NO.	SYM-BOL	FIG.	DESCRIPTION	MOTOROLA PART NO.	SYM-BOL	FIG.	DESCRIPTION	MOTOROLA PART NO.	SYM-BOL	FIG.	DESCRIPTION
47-82120H08	1	A-B	406-420 MHz Ant. Rod 18 3/8" long				1-46P82120H12 Stud Assembly	1-83166H01	3	D	Lower Section
47-82120H07	1	A-B	450-470 MHz Ant. Rod 16" long				1-14P82120H13 Insulator	43-83707D01*	4	D	Bushing Coil
1-83938B01	1	C	136-144 MHz Ant. Rod 20 1/4" long	15-475299	8	B	Ant. Ferrule Cover	4-84269A01*	5	D	Lockwasher
1-83938B02	1	C	144-152 MHz Ant. Rod 19 3/2" long	1-867453	9	B	Cable and Contact	1-80701B94	6	D	Matching Section
1-83938B03	1	C	152-162 MHz Ant. Rod 17 3/4" long	4-83780C01	10	C	Spring Washer for 136-152 MHz range only	3-136688	7	D	0-80 Screw
1-83938B04	1	C	162-174 MHz Ant. Rod 16 3/8" long	58-83882B01	11	A-C	Coupling Nut	41-83691D01	8	D	Spring Contact
1-83938B05	1	C	406-420 MHz Ant. Rod 6 3/4" long	43-83881B01	12	A-C	Locking Nut	49-83868G01	9	D	Contact Disc
1-83938B06	1	C	450-470 MHz Ant. Rod 6 1/2" long	42-83940B01	13	A-C	"O" Ring	49-83868G03	9	D	Contact Disc
1-83938B07	1	C	430-450 MHz 6 3/8" Ant. Assem.	1-84551A01	14	A-C	Bushing Assembly 136-152 MHz	42-83697D01	10	D	Retaining Ring
1-83938B08	1	C	470-512 MHz 5 1/8" Ant. Assem.	1-84551A02	14	A-C	Bushing Assembly 406-470 and 152-174 MHz	66-106513	11	D	Allen Wrench
1-83938B09	1	C	132-136 MHz 21 3/8" Bristol Set Screw	14-83798C01	15	A-C	Insulator Cap	43-83881B01	12	D	Locking Nut
47-82120H09	4	A-B	406-420 MHz Bottom Ant. Rod 9 3/8" long	PK-362	16	A-C	Coaxial Cable 100 ft. RG58/U	43-84133B01	12	D	Locking Nut
47-82120H05	4	A-B	450-470 MHz Bottom Ant. Rod 7" long	1-80703B46	*		Bushing and Cable Assembly Replaces 1-80758A22	42-83940B01	13	D	"O" Ring
41-82120H04	5	A-B	Spring Assembly	1-80703B45	*		Bushing and Cable Assembly Replaces 1-80754A93	01-84551A01	14	D	Bushing Assem.
66-82120H01	6	A-B	Bristol Wrench				152-174 MHz 406-470 MHz	14-83798C01	15	D	Cap Insulator RG58/AU
7-82120H03	7	B	Adapter and Insulator Assembly				3-122916	30-475378—	16	D	Coaxial Cable Washer, flat
7-82120H10	7	A	Adapter, Insulator and Gasket Complete				58-854020	Use PK-362	17	D	Lockwasher (Int. .040 In. Thk.)
			Consists of:				28-82021G01	4-1780**	18	D	Lockwasher (Int. .040 In. Thk.)
			1-32-82120H11					4-8436			Bushing, Ant. Cable, Clamp, (6 Req'd.)
			Gasket					43-861787	19	D	Screw, Tapping; (6 Req'd.)
								42-82143G02	20	D	Adapter, Coax. Cable
								3-122916	21	D	Plug, female; single contact
								4-118995	24	D	Lockwasher (Int. 0.022 In. Thk.)
								NLN-6850A	25	D	Antenna Mounting Bracket Kit
								42-82594B01	26	D	Clamp, loop
								4-9795	27	D	Lockwasher, Split
								2-1362	28	D	Nut
								3-1983	29	D	Screw #6-32
								1-80706B06	30	D	Assy., Antenna Cable & Contact
								66-480578	31	D	"L" Wrench

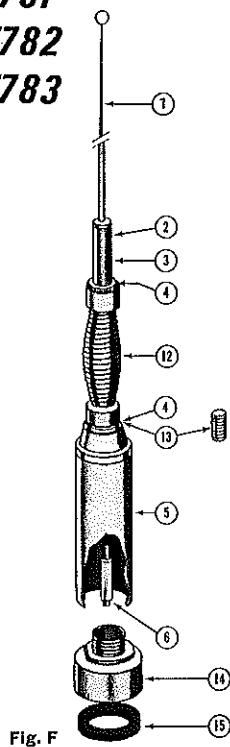
*Items not referenced consisting of 14, 15, and 16 (Less coaxial connector assembly)

*Indicates item is part of lower section 3, but may be ordered separately.
**Item is used only when trunk lid is thinner than 0.250 inch.
Note:
Items 11-24 and 31 comprise antenna installation:
Kit 1-80706B08.
Items 26-29 comprise cable clamp Kit 1-80792A06.

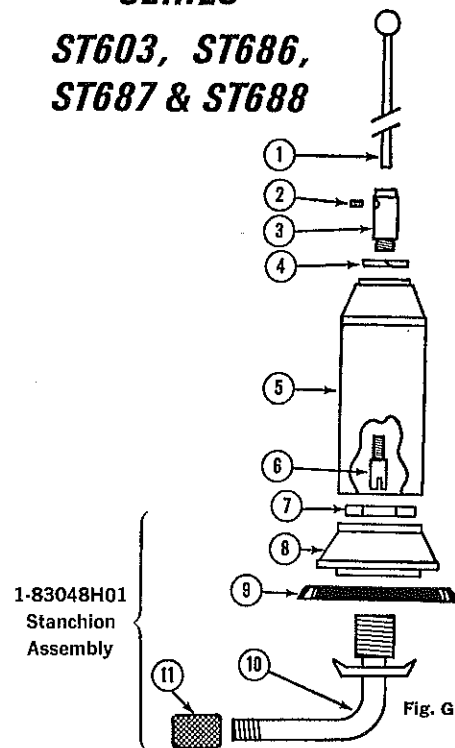
**ST600
ST601**



**ST779
ST780
ST781
ST782
ST783**



**TAB 6060A
SERIES
ST603, ST686,
ST687 & ST688**



Antenna Replacement Parts List

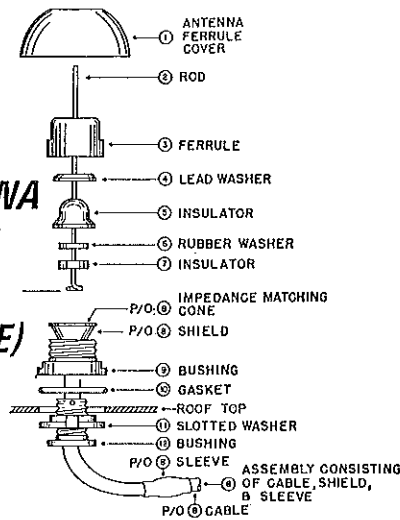
MOTOROLA PART NO.	REF. SYMBOL	FIGURE	DESCRIPTION
47B83046H01	1	E, F, G	Antenna Rod
3-7129	2	E, F, G	Set Screw 10-32x1/8"
58P83042H86	3	E, F, G	Antenna Rod Adaptor
4S9747	4	E, F, G	Split Lockwasher "4" OD SST
24P83042H94	5	E & F	Loading Coil 130-174 MC
24P83042H93	5	F	Loading Coil 25, 28 MC
24P83042H90	5	F	Loading Coil 30-36 MC
24P83042H91	5	F	Loading Coil 36-42 MC
24P83042H92	5	F	Loading Coil 42-50 MC
24B83049H01	5	G	Loading Coil 25-28 MC
24B83049H02	5	G	Loading Coil 30-36 MC
24B83049H03	5	G	Loading Coil 36-42 MC
24B83049H04	5	G	Loading Coil 42-50 MC
39P83043H46	6	E, G	Contact
39P83043H87	6	F, G	Spring Loaded Contact

1-83048H01 Stanchion assembly includes items 7-11

2P83042H95	7	E, G	Nut 1/2"-20
43P83042H96	8	E, G	Dress Cap
32P83502G10	9	E, G	Rubber Pad
1P83043H42	10	E, G	Tube Assembly
42P83043H43	11	E, G	Cable Clamp
41P83043H92	12	E, F, G	Spring
46P83043H91	13	E, F	Stud
58P83043H89	14	F	Adaptor
32P83043H88	15	F	Gasket

Antennas, Mobile

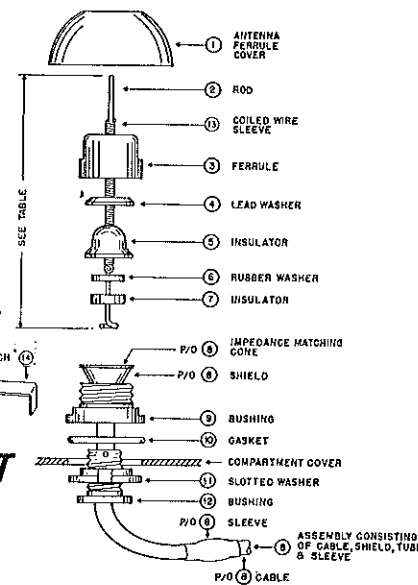
TAD-6120A, TU316, TU265, TU308, ANTENNA REPLACEMENT PARTS (ROOFTOP TYPE)



MOTOROLA PART NO.	REFERENCE SYMBOL	DESCRIPTION
15A 475299	1	Ferrule Cover
47-474915	2	Rod
47-83887B05*	2	Rod
43A 480576	3	Ferrule
43-861791*	3	Ferrule Cover
4A 474911	4	Washer, lead
14A 867450	5	Insulator
14-82661B01*	5	Insulator
4A 822404	6	Washer, rubber
14A 867452	7	Insulator
14-82662B01*	7	Insulator
1V 867453	8	Cable & Contact Assembly
43A 480573	9	Bushing (upper)
43-861789*	9	Bushing (upper)
32A 474917	10	Gasket, Copper Asbestos
4A 474901	11	Washer, (slotted)
43A 839962	12	Bushing (lower)
43-861787*	12	Bushing (lower)

*For TAD-6120A

TU360, NAD6031A, NAD6032A ANTENNA REPLACEMENT PARTS (SERVI-CAR COMPARTMENT MOUNT)



MOTOROLA PART NO.	REFERENCE SYMBOL	DESCRIPTION
15A 475299	1	Cover
47-474915	2	Rod
43K 861791	3	Ferrule
4A 474911	4	Washer
14K 867451	5	Insulator
4A 822404	6	Washer
14A 867452	7	Insulator
1V 867453	8	Assembly, antenna cable*
43K 861789	9	Bushing
32A 474917	10	Gasket
4A 474901	11	Washer
43K 861787	12	Bushing
41A 880115	13	Spring
66A 480578	14	Wrench

*Order PL-259 plug (28-42310) and adaptor (58-854020) separately.

ROOF TOP ANTENNA ASSORTMENT KITS

PDK-110 and PDK-111

Two kits—one for electrical components and one for mechanical parts—provide a wide variety of parts to service 144-174 mc and 406-470 mc roof-top antennas. Kits include a generous supply of insulators, eyelets, bushings, ferrules, gaskets, hole plugs, etc. Use for TU265, 308, 316, 360, NAD6031A, 32A and P8553B antennas. Each kit is packaged in a sturdy "see thru" plastic box with identification of parts by Motorola number and description.

PDK-110 Electrical Components Antenna Replacement Kit

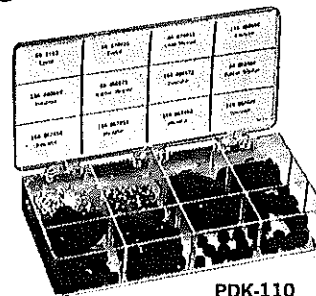
PDK-111 Mechanical Components Antenna Replacement Kit

PDK-114

This assortment kit was specifically designed for Motorola's high band and 450MC roof top series of antennas; TAD6111A, 6112A, 6113A.

Kit contains both electrical and mechanical components to service the complete line of these new series of antennas.

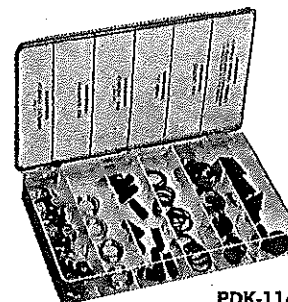
PDK-114 Antenna Parts assortment kit



PDK-110



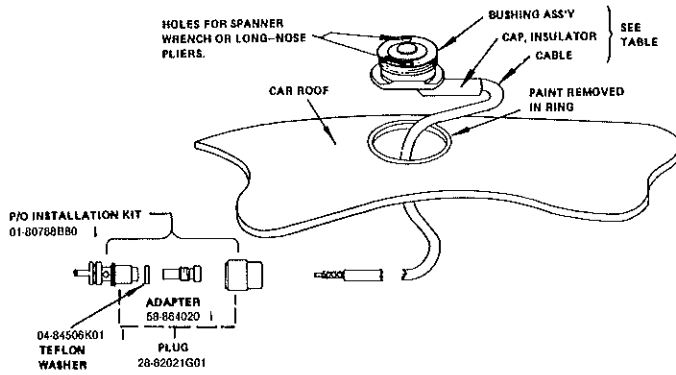
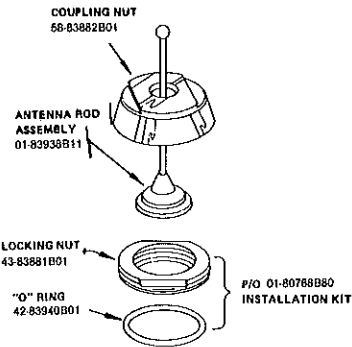
PDK-111



PDK-114

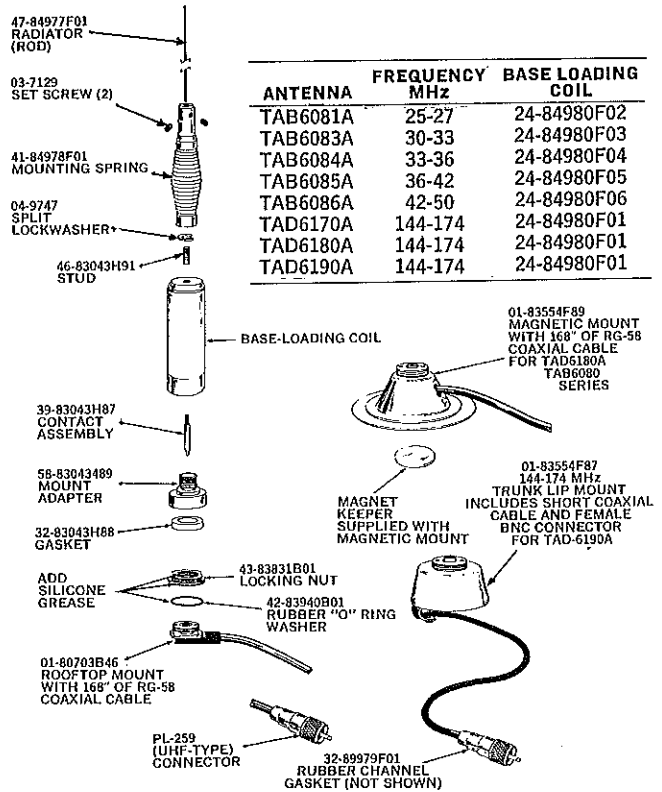
Model TAF-6041A, 806-866 MHz

MOTOROLA PART NO.	DESCRIPTION
1V80786B28	Bushing & Cable Assembly; Includes the Following
1C84988K01	Bushing Assembly
14B83798C01	Cap, Insulator
30C82921H01	Coaxial Cable

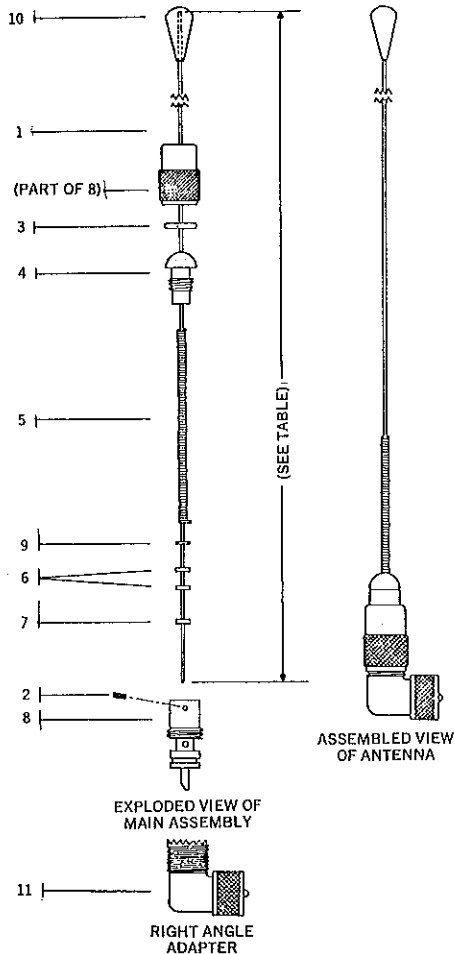


TAD-6170A, TAD-6180A, TAD-6190A, TAB-6081A 83A, 84A, 85A, 86A

ANTENNA	FREQUENCY MHz	BASE LOADING COIL
TAB6081A	25-27	24-84980F02
TAB6083A	30-33	24-84980F03
TAB6084A	33-36	24-84980F04
TAB6085A	36-42	24-84980F05
TAB6086A	42-50	24-84980F06
TAD6170A	144-174	24-84980F01
TAD6180A	144-174	24-84980F01
TAD6190A	144-174	24-84980F01



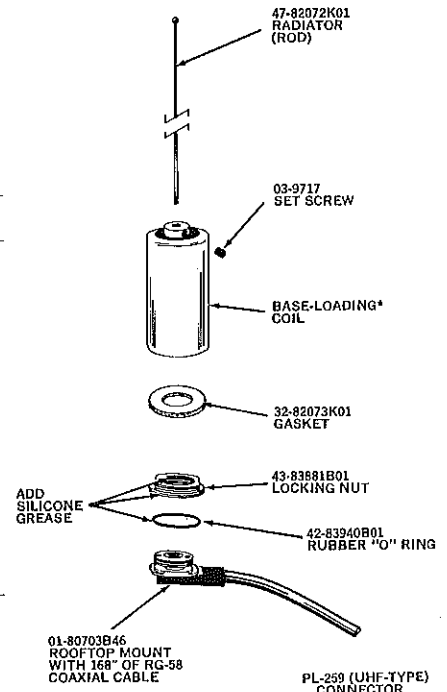
NAD-6130A, 31A, 32A



MODEL	FREQ. RANGE	ROD LENGTH
NAD-6130A	132-150.8 MC	19 1/2"
NAD-6131A	144-162 MC	18 1/4"
NAD-6132A	162-174 MC	17 1/4"

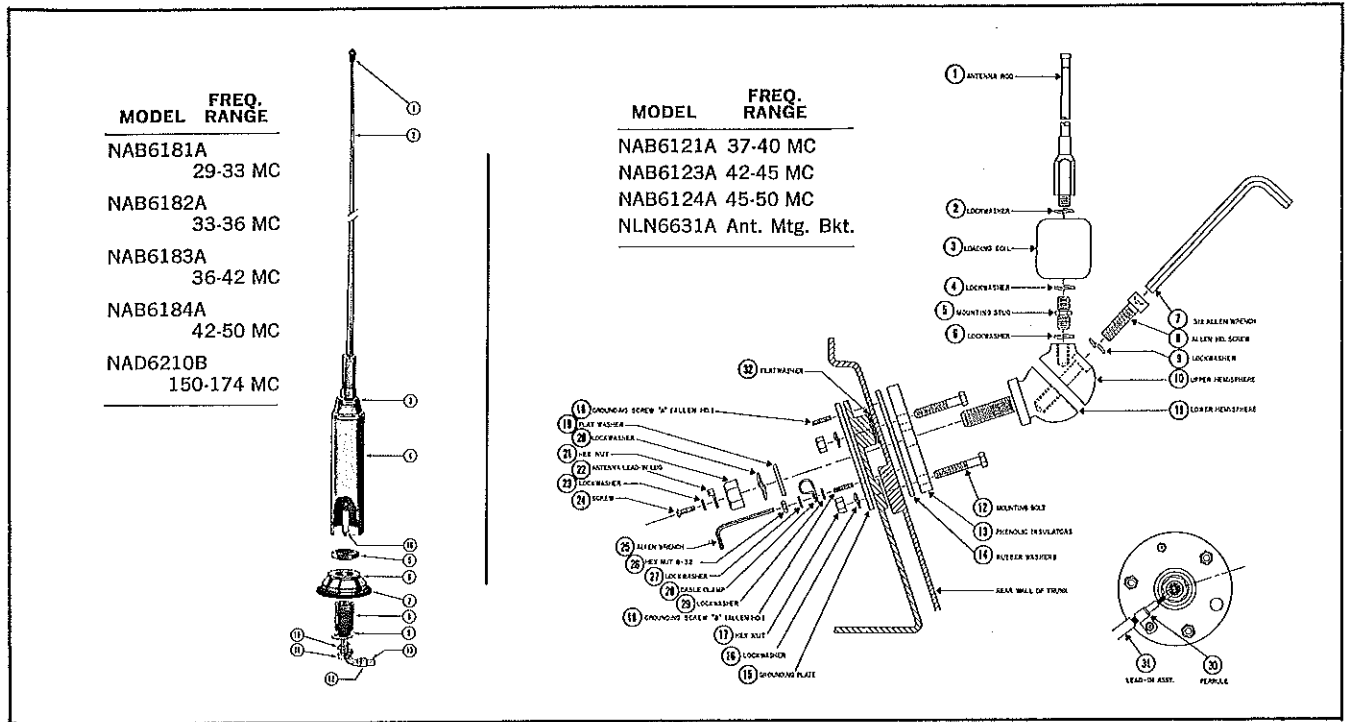
REF. NO.	PART NO.	NAME OR DESCRIPTION
1	47-863264	Rod (132-152MC.)
	47-847894	Rod (144-162MC.)
	47-847895	Rod (162-174MC.)
2	03-3860	4-40 x 1/8 Allen Set Screw
3	42-482075	"O" Ring
4	14-844065	Insulator
5	41-844061	Reinforcing Sleeve, Coiled
6	04-822404	Washer, Compression (2 Used)
7	14-844245	Insulator
8	28-844066	Coaxial Connector (Body & Shell)
9	04-490516	Washer, Steel, 1/4-.106-.030
10	43-847577	Cap, Plastic
11	28-48250	Adapter, Right Angle

TAB-6071A, 73A, 74A, 75A



FREQ. RANGE (MHz)	MODEL KIT NO.	COIL NO.
25-28	TAB6071A	24-82074K01
30-35	TAB6073A	24-82074K02
34-40	TAB6074A	24-82074K03
40-50	TAB6075A	24-82074K04

Antennas, Motorcycle



Motorcycle Antenna Replacement Parts 29-50 MC and 150-174 MC, NAB 6181A Series, NAD 6210B (Safety Orange)

REFERENCE SYMBOL	PART NO.	DESCRIPTION
1	43P83502G14	Antenna Rod Tip (All models shown)
2	47P83502G01	Antenna Rod (All models shown)
3	4S9747	Lockwasher SST Split
4	24P83502G02	Loading Coil (29-33 MC)
	24P83502G03	Loading Coil (33-36 MC)
	24P83502G04	Loading Coil (36-42 MC)
	24P83502G05	Loading Coil (42-50 MC)
	24P83502G06	Loading Coil (150-174 MC)
5	2P83502G07	Special Nut
6	43P83502G08	Collar
7	32P83502G10	Gasket
8	58P83502G09	Antenna Adaptor
9	4-2640	Lockwasher (Internal) Replaces 4-2635
10	4S2623	Lockwasher SST (Split)
11	02-83502G13	Nut
12	2P83502G11	Nut
13	30P83502G12	Coaxial Cable RG58 A/U
14	58K854020	Adaptor (not shown)
15	28A42310	Coaxial Connector (not shown)
16	39P83043H46	Contact
*	7C82595B01	Antenna Mounting Bracket for Solocycles only

*Not supplied with antennas

Antenna Mounting Bracket Kit for New Fiberglass Body Servi-Cars

The NLN6631A Antenna Mounting Bracket is used to mount a 37 to 50 MC antenna on 1967 and later Harley-Davidson "Servi-Car" three wheel motorcycles with fiberglass trunk compartments. The antenna mounting bracket gives additional rigidity to the fiberglass trunk and provides an r-f ground from the motorcycle frame to the antenna base.

MODEL NO.	DESCRIPTION
NLN6631A	Antenna Mounting Bracket Kit

Servi-Car Low Band Antenna Replacement Parts for NAB6121A, NAB6123A, NLN6631A

REFERENCE SYMBOL	MOTOROLA PART NO.	DESCRIPTION
1	47C82078D01	Ant Rod 47" 40-50 MC
1	47C82078D02	Ant Rod 50" 37-40 MC
2	4S7685	Lockwasher
3	1V80709A54	Loading Coil 37-42 MC
3	1V80709A57	Loading Coil 42-45 MC
3	1V80709A58	Loading Coil 45-50 MC
4	4S7685	Lockwasher
5	46A892924	Mounting Stud
6	4S7685	Lockwasher
7	66K85988	312 Allen Wrench
8	3K838902	Allen Hd. Screw
9	4S7685	Lockwasher
10	58K838903	Upper Hemisphere
11	58K838904	Lower Hemisphere
12	3S1845	Mounting Bolt
13	14K838905	Phenolic Insulators
14	4K838906	Rubber Washers
15	4K838907	Grounding Plate
16	4S119331	Lockwasher
17	2S2878	Hex Nut
18	3K838908	Grounding Screw "B" (Allen Hd.)
19	4K838909	Flat Washer
20	4S7694	Lockwasher
21	2K838910	Hex Nut
22	29R3017	Antenna Lead-In Lug
23	4S7657	Lockwasher
24	3S6996	Screw
25	66K21442	Allen Wrench
26	2S1355	Hex Nut 8-32
27	4S7657	Lockwasher
28	42B82594B01	Cable Clamp
29	4S7657	Lockwasher
30	5K119263	Ferrule
31	1V80709A56	Lead-in Assembly

Antenna Rod Cutting Chart for TAB-1000 Series Antenna

1. Mobile rods measure tip to tip. Allowances have been made for ferrule.
2. Always cut rod to transmitter frequency.
3. On multiple frequency units, cut to lowest frequency.

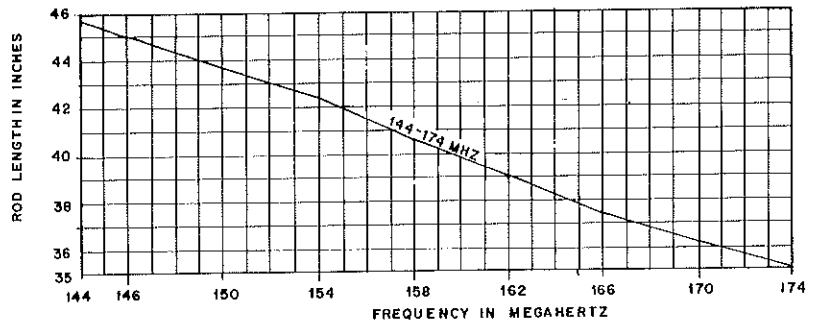
MOBILE RODS FOR SPRING BASE ANTENNAS

ROD LENGTH IN INCHES	FREQ. MHz	WITH LOADING COIL FREQ. MCS.
96	30.000	25.000
95	30.100	25.370
94	30.500	25.500
93	31.000	25.750
92	31.250	26.000
91	31.750	26.250
90	32.100	26.350
89	32.500	26.500
88	32.900	26.750
87	33.250	27.000
86	33.700	27.100
85	34.100	27.300
84	34.500	27.500
83	34.800	27.750
82	35.250	28.000

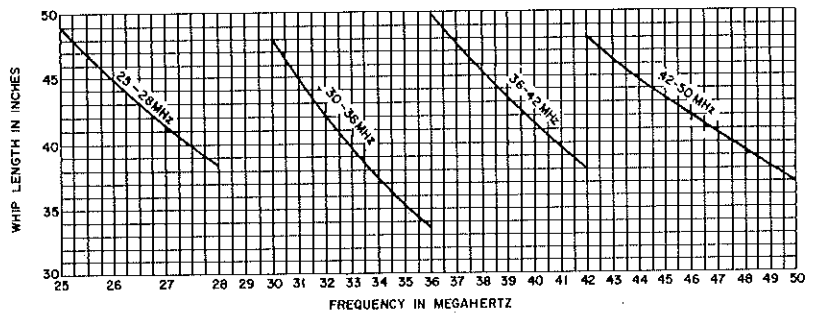
ROD LENGTH IN INCHES	FREQ. MHz	WITH LOADING COIL FREQ. MCS.
81	35.750	28.250
80	36.100	28.500
79	36.600	28.750
78	37.000	29.000
77	37.500	29.100
76	38.000	29.300
75	38.400	29.500
74	38.800	29.600
73	39.500	29.999
72	40.000	—
71	40.500	—
70	41.000	—
69	41.600	—
68	42.250	—
67	42.750	—

ROD LENGTH IN INCHES	FREQ. MHz	WITH LOADING COIL FREQ. MCS.
66	43.400	—
65	44.000	—
64	44.750	—
63	45.300	—
62	46.000	—
61	46.700	—
60	47.250	—
59	48.000	—
58	49.250	—
57	50.250	—
56	51.250	—
55	52.250	—
54	53.500	—
53	54.500	—
52.5	55.000	—

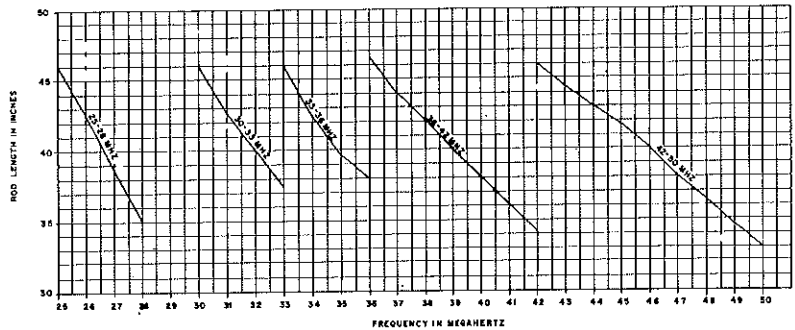
ROD CUTTING CHARTS



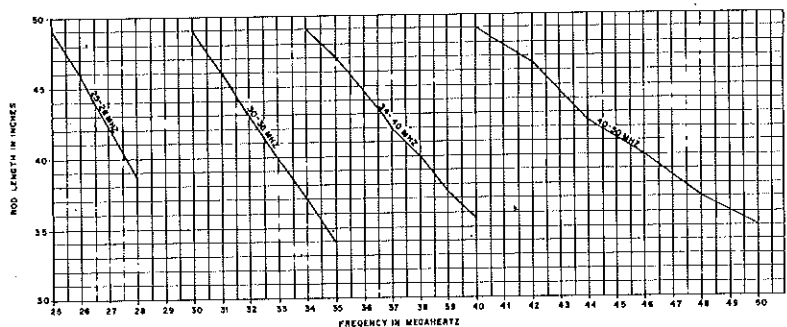
TAB-6170A TAB-6180A TAB-6190A



TAB-6061A/63A/64A/65A

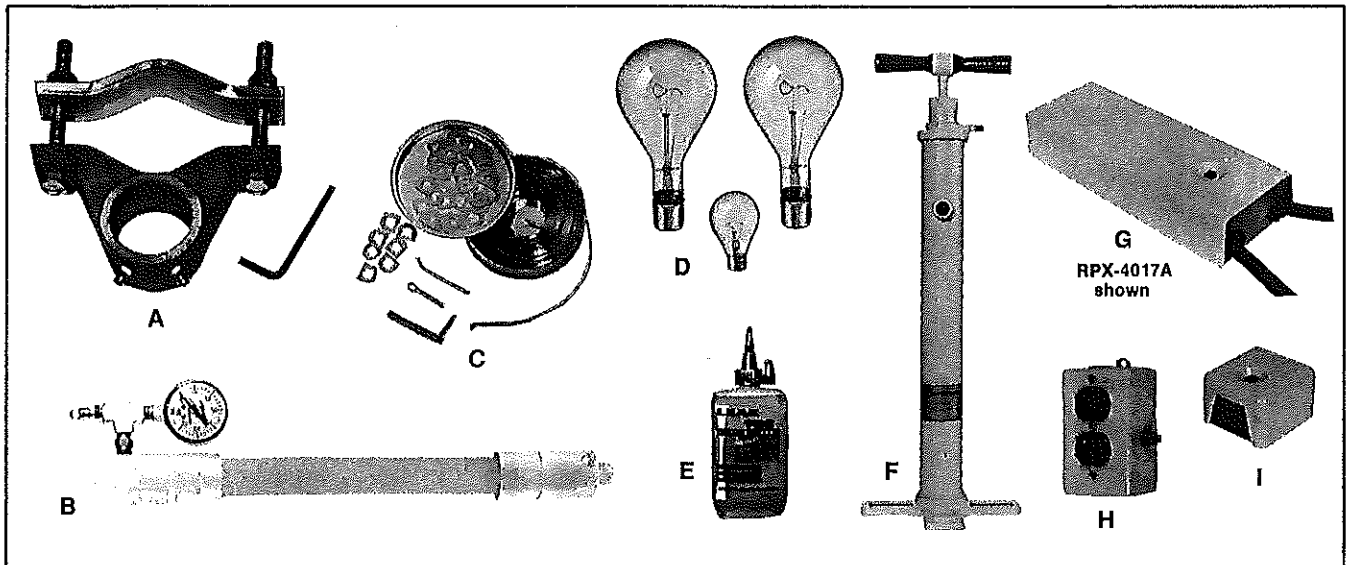


TAB-6081A/83A/84A/85A



TAB-6071A/73A/74A/75A

Base Station Antenna Accessories and Surge Protectors



Antenna Mounting Clamps

A The TLN-6685A Antenna Mounting Kit may be used for mounting any lightweight antenna having a 1" to 3½" O.D. support staff. Kit consists of two clamps and is made of aluminum alloy with stainless steel hardware to prevent rust and corrosion. Mount to a pipe, angle iron, flat on wall or to flat channel members of a tower.

TLN-6685A Antenna Mounting Kit

KIT NO.	APPLICATION
K-8269	TU-309 and TU-310 Series to 2½" O.D. pipe.
TDN-6017B	TDB-6030, TDC-6060, TDD-6010, -6070, -6080, -6090, -6100, TDE-6040, -6050, -6080 series to 1" to 2¾" pipe.
TDN-6020A	TDD-6020A series to 1½" pipe.
TDN-6071A	TDF-6020, 30, 40, 50 2" to 3½" pipe.
TDN-6074A	TDE-6060, 70 Series 1¼" to 3" pipe.
TDN-6075A	TDD-6070A series and TDC-6020A to 1" to 3½" pipe.
TLN-6685A	TAD-1000, -1010, -1020 series to 1" to 3½" pipe.
Side Mount Kits	
TDN-6056A	TDD-6070, -6080, -6090, -6100, TDE-6040, -6050 series 6"-36" adjustable spacing from tower.
TDN-6073A	TDE-6060, -6070, -6080 series 6"-36" adjustable spacing from tower.

Gauge and Valve Assembly

B The ST-945 gauge and valve assembly is used in most air filled coaxial lines. Kit includes a 0-30 lb. gauge, ⅛" female "Tee" pressure valve and cap, also a 4" extension tube assembly. This is used when the space for a gauge is limited. One end of the extension tube has a male ⅛" fitting. The opposite end has a ⅛" female fitting.

ST-945

Wraplock

C 100 ft. of stainless steel banding, connectors and ratchet tool. Use to strap antenna masts to pipes, towers, etc. Dispenser type can for fast installation.

42-823572

Tower Bulbs

D Towers and other high obstructions that are not lighted due to a bulb burnout

are hazards to aircraft navigation. Keep a supply of spare bulbs in your shop and vehicles and help prevent accidents.

- 65-866713 3000 hr., 620W-120V Mogul Pre-Focus
- 65-84258C75 6000 hr., 620W-130V Mogul Pre-Focus
- 65-84258C74 6000 hr., 116W-120V Screw Base

Leak Tec Foam

E Neutral fluid for detecting leaks quickly and safely. Fluid forms a white bubble foam at the leak source.

11-82326A01 Leak Tec, 6 oz. bottle

Dry Air Pump

F Delivers air having 50 to 60 degrees F dew point differential depending on intake conditions. Supplied with 1 lb. of silica gel crystals and 8 ft. of hose.

ST-935 (Andrew 878A)

Power Line Surge Protectors

- Self-Restoring • Uses Quick Operating 3-Electrode Heavy Duty Gas Tube Surge Arrester • Completely Self-Contained • Easy Installation

G The RRX-4017A, RRX-4018A, and RRX-4020A provide overvoltage protection for AC powered equipment. Model RRX-4017A has a screw terminal connector block for direct power wiring and model RRX-4018A has standard 3-prong plug and receptacle on 18-inch cables. Both the RRX-4017A and the RRX-4018A are designed for 117 VAC, 10 AMP single phase circuits. Model RRX-4020A is similar to RRX-4017A but is designed for 220/240 VAC, 30 Amp circuits.

- RRX-4017A 117 VAC, 10 Amp screw terminal.
- RRX-4018A 3-prong plug and receptacle.
- RRX-4020A For 220/240 VAC, 30 Amp circuits.

Plug-in Power Line Surge Protector

H Similar to RRX-4017A above, but designed for use on standard 117 VAC, 15 Amp single phase duplex convenience receptacles.

RRX-4019A Plug-in Surge Protector.

Telephone Line Surge Protector

- Heavy Duty 3-Electrode Gas Tube Surge Arrester • Fail Safe Link

I The RRX-4021B provides failsafe lightning protection for phone lines between remote control units and radio base stations. Striking voltage range of gas tube surge arrester is 300-500 VDC; typical lifetime in excess of 10,000 surges at a 500 Ampere peak. The integral encapsulated fail-short, air gap, gas tube module eliminates moisture problems.

RRX-4021B Telephone line surge protector.
80-80330A71 Replacement gas tube assembly.

Replacement Parts for Surge Protector

65-80332A56 Failsafe Spacer for RRX-4021A telephone line surge arrester.

3-Electrode Gas Tube Surge Arresters

PART NUMBER	STRIKING VOLTAGE	USED ON
80-80333A26	150-300Vdc	RRX-4017A and RRX-4018A
80-80332A55	300-500Vdc	RRX-4021A
80-80333A27	500-900Vdc	RRX-4020A
80-80333A25	150-300Vdc	RRX-4019A

Lightning Protection . . . Make sure your base station is fully protected

Important Facts You Should know About Lightning

1. Lightning can deliver voltages of up to 1,000,000 or even more to any object that it hits.
2. Amperage can range from 1000 to 200,000.
3. There are an average of 40 electrical storms per year in any given part of the U.S. (See Fig. 1 for frequency in your area.)
4. 40 to 60 strokes of lightning bombard every square mile of the U.S. every year.
5. Any object which projects appreciably higher above the ground than other objects nearby is much more vulnerable to being struck by lightning. (See table below for specifics)

INCIDENCE OF THUNDER STORMS IN THE U.S.

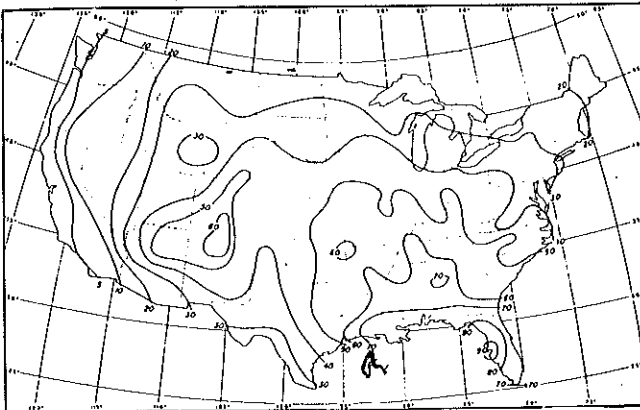
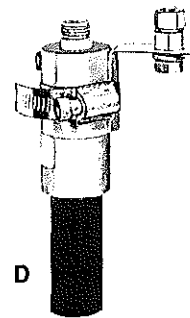
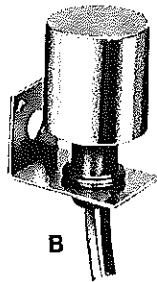
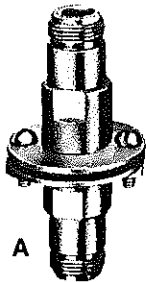


Fig. 1. US Weather Bureau's Map of the United States, with zone-lines showing number of days per year having thunder storms. Locations between lines can be interpolated—for example, if you live in Hartford, Conn. you have about 25 thunderstorm days per year; Philadelphia, Pa., 35; Kansas City, Mo., 55; Dallas, Texas, 52; etc.

Height of Object in feet	Probability of Being Struck by Lightning in an area having 30 storms per year
50	Once every 4 years
100	Once every 2½ years
200	Once every 1½ years
400	3 times every 2 years
600	3 times per year
800	5 times per year
1000	10 times per year
1200	20 times per year
1500	40 times per year



Lightning Arrestors

A Lightning arrestors minimize lightning risk to costly two-way equipment such as receiver front ends and transmitter final amplifiers and harmonic filters. When inserted at a critical point in an antenna system, these easily installed lightning arrestors will provide added protection to your equipment and personnel.

ST-786 "UHF" type (Phelps Dodge 593-509)
ST-787 "N" type (Phelps Dodge 595-509)

AC Line Surge Protector

B The TLN-4399A ac line surge protector is recommended in areas where lightning, static discharge, or other line surges are encountered. The unit features a hermetically sealed, pre-ionized spark gap and will bypass repeated over-voltages without significant change in breakdown level or insulation resistance. Typical breakdown voltage is 1500V when subjected to a voltage rising at

10kv/sec. Units will withstand repeated current surges of 10 kiloamperes for 200 microseconds. Weatherproof construction permits mounting indoors or outdoors in a standard ½-14 conduit hole or using the mounting bracket supplied. Unit connects directly across the 117 VAC line.

TLN-4399A Surge Protector

Control Line Protector

C The 80-83029H02 and 80-3029H04 discharge gap (sealed-in gas type) surge protectors are designed for connection to the control lines used with base station equipment. Units have a discharge voltage of 230V dc and 350V dc respectively and can withstand 5 kiloampere peaks of 120 microseconds duration. Miniature construction permits unit to be mounted easily on line terminals. Two are required for each pair of lines and connect from each line to ground.

80-83029H02 Control Line Spark Gap, 230V dc
80-83029H04 Control Line Spark Gap, 350V dc

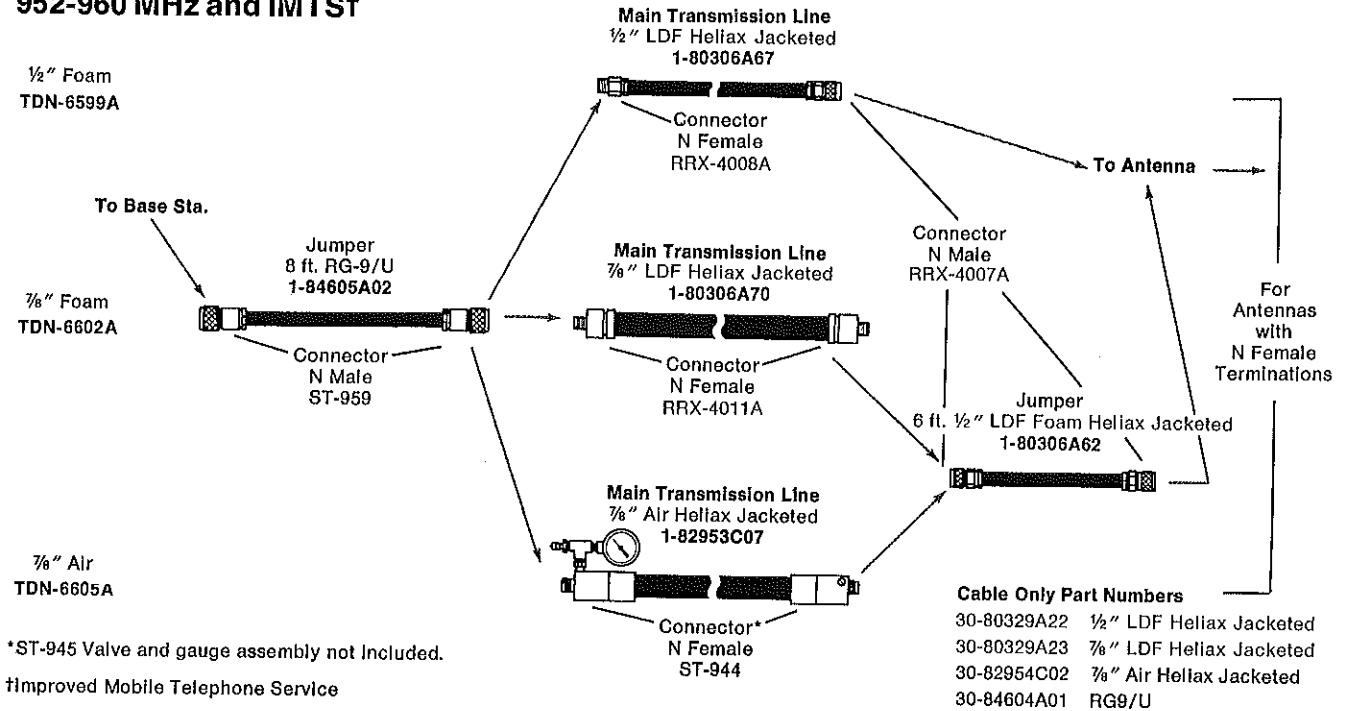
Grounding Clamp Kits

D Grounding clamp kits are a necessity on two-way communications installations where there may be a risk to equipment or personnel from shock or lightning. The clamps are made to fasten to ½" or ¾" heliax cable, and to pipe or grounding rod. The installation for jacketed cable is the same as for unjacketed cable except that the cable clamp is fastened to a cable connector rather than to the body of the cable. Clamps are constructed of stainless steel. PK-382 cable (conductor size #6) suggested for grounding.

PK-382 Grounding Cable 100-ft. box 30-825602 cond. size No. 6.
ST-788 For ½" jacketed heliax and pipe or grounding rod. (Phelps Dodge 477-509)
ST-853 Same as above except for ¾" jacketed heliax.
ST-789 For ½" unjacketed heliax includes brass bushings for better electrical contact without collapsing line (Phelps Dodge 575-509)
ST-790 Same as above except for ¾" unjacketed heliax. (Phelps Dodge 576-509)

Jacketed Heliax Transmission Line Kits

952-960 MHz and IMTSt



Supplied in Complete Installation Kits

Jacketed Foam Heliax Transmission Line is provided in two sizes, 1/2" and 3/8", as part of complete line kits. Kits are available for use with antennas with UHF Female terminations, or for antennas with N Male terminations.

Low Loss

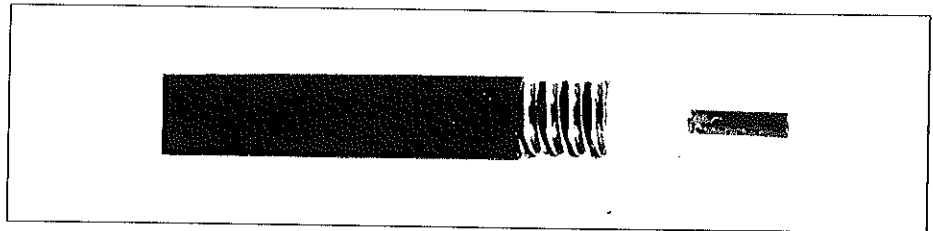
Both foam heliax and air heliax use high conductivity copper for the center conductor and the outer jacket. Low-loss foam polyethylene is used as a dielectric or insulating material. The new LDF series cables have a low density foam dielectric. The result is less attenuation through ohmic and dielectric losses.

Corrosion Resistance

Jacketing and Copper, one of the most corrosion resistant of the common metals, are used for Motorola transmission lines because of their superior weathering characteristics.

Flexibility

Because of its jacketed and corrugated construction it can be curved around building configurations, tower elements and other obstructions and can be pulled through conduits. Since it is flexible it can be taken down and moved to a new location if necessary.



Recommended Maximum Cable Lengths

CABLE TYPE	25-54 MHz	66-88 MHz	136-174 MHz	406-470 MHz	952-960 MHz
1/2" LDF Heliax	360'	240'	200'	90'	70'
3/8" LDF Heliax	620'	460'	310'	170'	100'
3/8" Air Heliax	720'	500'	370'	200'	120'

Attenuation per 100 Feet in dB.

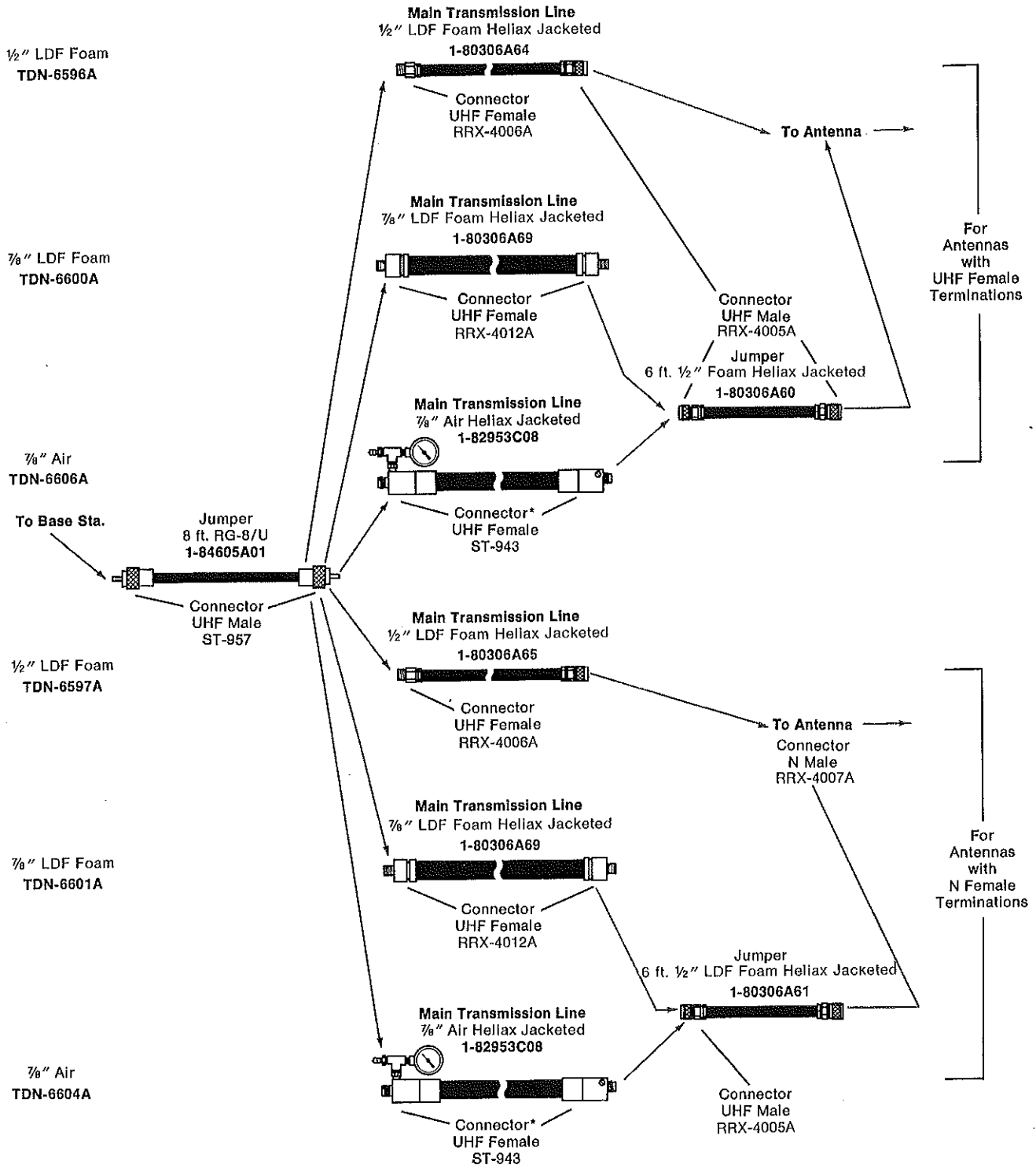
CABLE TYPE	40 MHz	150 MHz	450 MHz
1/2" Foam Heliax	0.44	0.86	1.52
3/8" Foam Heliax	0.23	0.48	0.86
3/8" Air Heliax	0.23	0.46	0.83

Recommended Line Kits vs. Frequency

CABLE TYPE	25-174 MHz	406-470 MHz	952-960 MHz	IMTS
1/2 Inch Foam	TDN-6596A	TDN-6597A	TDN-6599A	TDN-6599A
3/8 Inch Foam	TDN-6600A	TDN-6601A	TDN-6602A	TDN-6602A
3/8 Inch Air	TDN-6606A	TDN-6604A	TDN-6605A	Not Applicable
Base Connector	UHF Male	UHF Male	Type N Male	Type N Male
Ant Connector	UHF Male	Type N Male	Type N Male	Type N Male

The transmission line shown above is available only in multiples of 10 feet. Kits include jumper cables for tying the transmission line to the base station and antenna. 25-174 MHz and 406-470 MHz kits contain 8 feet of RG-8/U for base station tie-in, 952-960 MHz and IMTS kits contain 8 feet of RG-9/U for base station tie-in. 3/8" transmission line kits contain 6 feet of 1/2" foam line for antenna tie-in. 1/2" foam transmission lines do not include jumper cables to the antenna. Kits also include binding material, silicone grease, vinyl tape and base station jumper mounting hardware. Connectors are attached to line at factory unless otherwise specified. Standard tools can be used to complete the installation.

25-174 MHz and 406-470 MHz

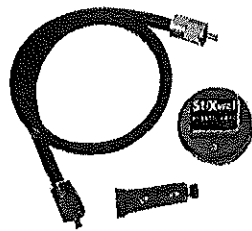


Cable Only Part Numbers

- 30-80329A22 1/2" LDF Foam Heliax Jacketed
- 30-80329A23 3/8" LDF Foam Heliax Jacketed
- 30-82954C02 3/8" Air Heliax Jacketed
- 30-82345 RG-8/U

*ST-945 Valve and gauge assembly not included.

Transmission Line Accessories



A



B



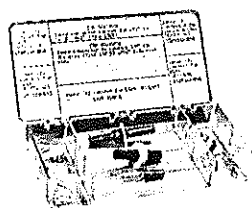
C



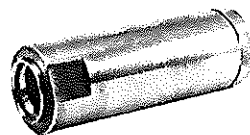
D



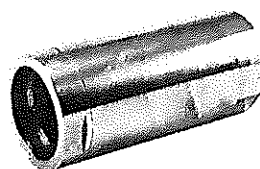
E



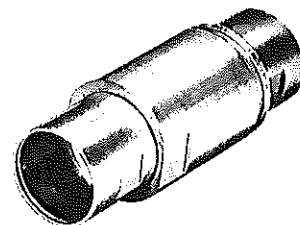
F



RRX-4009A



RRX-4010A



ST-933

Transmission Line

TK-173 (RG8/U) Line Kits

A Consists of RG8/U cable terminated in PL259 connectors. Supplied with a roll of Vinyl Tape and a 1/4 oz. tube of Silicone grease to ensure a weatherproof installation. Sold in std. lengths of 25, 50, 75, 100, 125, 150, 175 or 200 ft. Always specify exact length in part number.

RG8/U Recommended Maximum Length

FREQUENCY	LENGTH
25-54 MHz	120 ft.
66-88 MHz	90 ft.
136-174 MHz	80 ft.
406-470 MHz	30 ft.
952-960 MHz	Not Recommended

Attenuation per 100 feet in dB

40 MHz—1.12 150 MHz—2.5 450 MHz—5.0

NUMBER	LENGTH	NUMBER	LENGTH
TK-173025	25 ft.	TK-173100	100 ft.
TK-173050	50 ft.	TK-173150	150 ft.
TK-173075	75 ft.	TK-173200	200 ft.

*Lengths over 200 feet are available upon special order.

PK-526, RG8/U Cable Fittings Only

The PK-526 coaxial cable fitting kit provides the parts required for weatherproof UHF male connector terminations of RG8/U solid dielectric coaxial cable for interconnecting antennas and stations. Kit consists of two PL259 male UHF connectors, a 1/4-ounce (7 gram) tube of

silicone grease (Dow Corning #4), a 25-foot (7.6-meters) roll of 3/4-inch (19mm) vinyl tape, and installation instructions.

PK-526 Cable fittings for RG8/U Coaxial cable

RG9/U and RG142/Coaxial Cable

PK-609 50 ft. RG9/U

PK-610 50 ft. RG142B/U

RG8/U, 9/U & 11/U Connectors

PART NUMBER	FIG.	DESCRIPTION	MIL OR OTHER NO.
24-42310	B	Plug PL-259 insulation glass filled diallyphthalate insulation. Suggested use VHF frequencies and below. (Nickel plated barrel soldering braid difficult.)	PL-259
28-82021G01	C	PL-259 plug teflon insulation. Suggested use all VHF & UHF frequencies up to 1 GHz. (Nickel plated barrel causes soldering of braid to be difficult.)	PL-259
28-80325A29	C	PL-259 plug same as 28-82021G01 except barrel is silver plated which allows easy soldering of the braid.	PL-259
58-854020	D	Reducer used with PL259 for RG58/U, RG142/U, .207 I.D.	UG175/U
28-852527	E	Male "N" Plug for RG58A/U Cable Hole .212	UG-536/U

Cable and Connector Repair Kit

F For foam and air heliax transmission lines, the kit consists of a 25-piece assortment of the most common connectors and adaptors for type 34389A, L44U, L45U, L44P, L44N and L44W connectors. End extra service calls and "down" time by having this handy kit in your tool box. Each part in the compartment plastic case is identified by Motorola part number and description.

RPX-4027A Kit

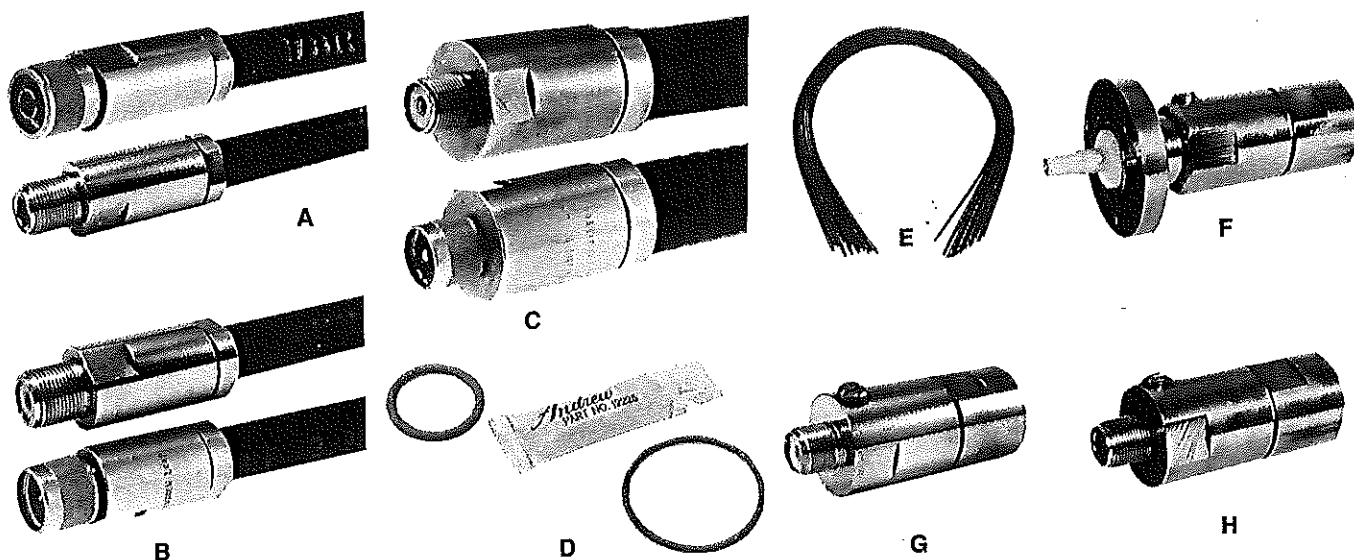
Copper Line Splices

G Copper line splices are ideal for making a weatherproof mend in either foam or air heliax transmission line so the characteristic impedance of the line is not upset. The ends of the cable are connected to the two halves of the splice in the accepted manner, and the halves are fastened together with a sleeve. The installation is performed with standard, readily available tools.

RRX-4009A (L44Z Splice)—1/2" copper foam heliax line with an impedance of 50 ohms.

RRX-4010A (L45Z Splice)—3/8" copper foam heliax transmission line with an impedance of 50 ohms.

ST-933 (75AZ Splice)—7/8" copper air heliax transmission line with an impedance of 50 ohms.



Connectors for 1/2" & 7/8" LDF Heliax Cable

A Type "N" for 1/2" LDF heliax cable.

RRX-4007A Male (Type L44W).

RRX-4008A Female (Type L44N).

B "UHF" for 1/2" LDF heliax cable.

RRX-4006A Female (Type L44U).

RRX-4005A Male (Type L44P).

C "UHF" for 7/8" LDF heliax cable.

RRX-4012A Female (Type L45U).

RRX-4013A Male (Type L45P).

"N" for 7/8" LDF heliax cable.

RRX-4011A Female (Type L45N).

RRX-4014A Male (Type L45W).

D Replacement "O" ring kit for LDF heliax cable connectors.

RRX-4015A For 1/2" connectors.

RRX-4016A For 7/8" connectors.

Mounting Kit

E Copperweld wire kit, contains twenty 18" lengths of copperweld wire (#14 steel wire w/copperweld sheathing). This material is already included in the TDN-6009A thru 14A transmission line kits, furnished at the recommended rate of one 18" length per 5 feet of transmission line. The TDN-6015A is to supply any additional requirement for copperweld binding material. One TDN-6015A fastens 100 feet of transmission line to the tower.

TDN-6015A

Connectors for 7/8" Air Heliax Cable

F EIA flange includes inner connector and gasket.

ST-940 Type 75 AR.

G "UHF" Female for 7/8" air heliax. Not recommended for use over 470 MHz.

ST-943 Type 75 AU.

H "N" Female for 7/8" air heliax.

ST-944 Type 75 AN.

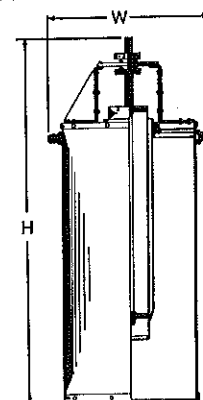
32-866944* Replacement Gasket (seals against threaded portion of heliax).

32-866945* Replacement "O" ring (1 1/8" dia.)

*Required when reinstalling 75U and 75N end seals to repaired line.

Cavity Resonator

MODEL	Frequency MHz	ELECTRICAL				MECHANICAL		
		Coupling Loop Kit	Insertion Loss—db	Loaded "Q"	Power—Watts	Height	Width	Weight
TU313L & M	30—40	TLB6432A	0.5	600	300*	78	12	63
		TLB6431A	2.0	1200	50			
TU313H	40—50	TLB6434A	0.5	700	300*	inches	inches	lbs.
		TLB6433A	2.0	1400	50			
TU312H	132—174	TLD6592A	0.5	650	300	32	12	33
		TLD6593A	1.0	1250	120			
		TLD6594A	1.5	1750	70			
		TLD6595A	2.0	2100	70			
		TLD6596A	3.0	3100	50			

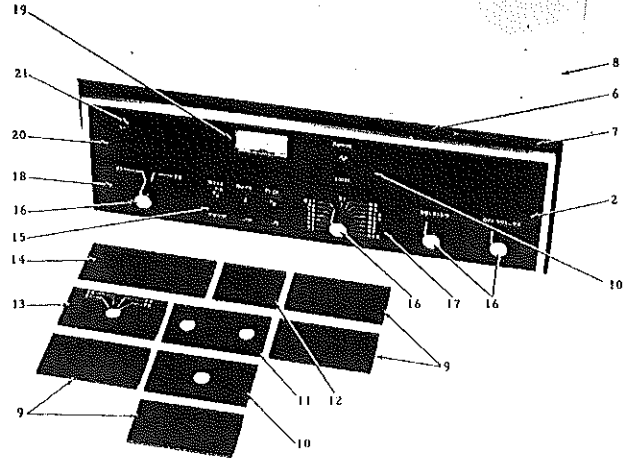
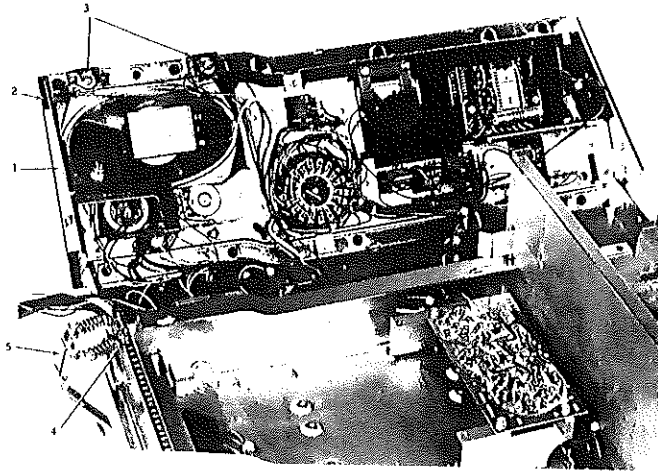


TYPICAL CAVITY CUT AWAY VIEW

*For input power greater than 120 watts, special tuning procedure must be followed.

SUPER CONSOLETTA Base Station

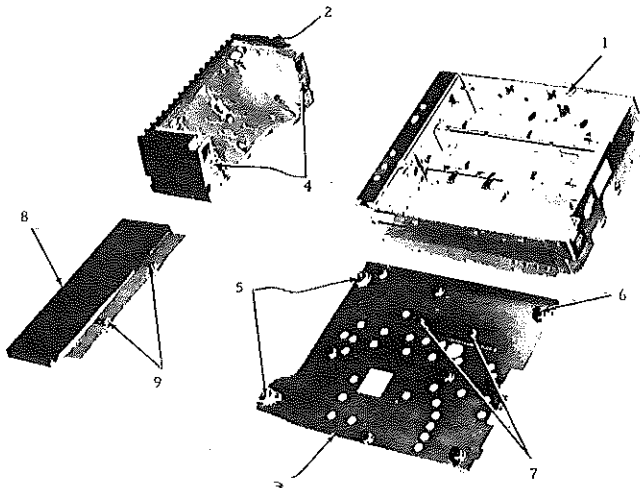
L63BBB, L73BBB, L71BBB



REF. NO.	PART NO.	DESCRIPTION
1	07-84101D01	Frame, front
2	64-83123G02	Panel and Bezel Assembly
3	15-83154G01	Cover, light
4	55-838718	Catch
5	01-80713B47	Fastener, snap (front)
6	65-83241G01	Lens (red)
7	65-83241G02	Lens (green)
8	15-84922B03	Housing
9	64-83071G40	Insert Panel (blank)
10	64-83071G61	Insert Panel (switch)
11	64-83071G57	Insert Panel (2 switch)
12	64-83073G07	Insert Panel (meter blank)
13	64-83071G65	Insert Panel (multi-freq.)
14	64-83074G07	Insert Panel (clock blank)
15	64-83071G58	Insert Panel (3 switch)
16	36-82869K01	Knob, Control
17	64-83071G69	Insert Panel (dc meter switch)
18	64-83071G53	Insert Panel (multi-freq. single tone)
19	64-83073G08	Insert Panel (meter)
20	64-84217A04	Insert Panel (clock)
21	61-83066K01	Lens, clock

Non-Referenced Items

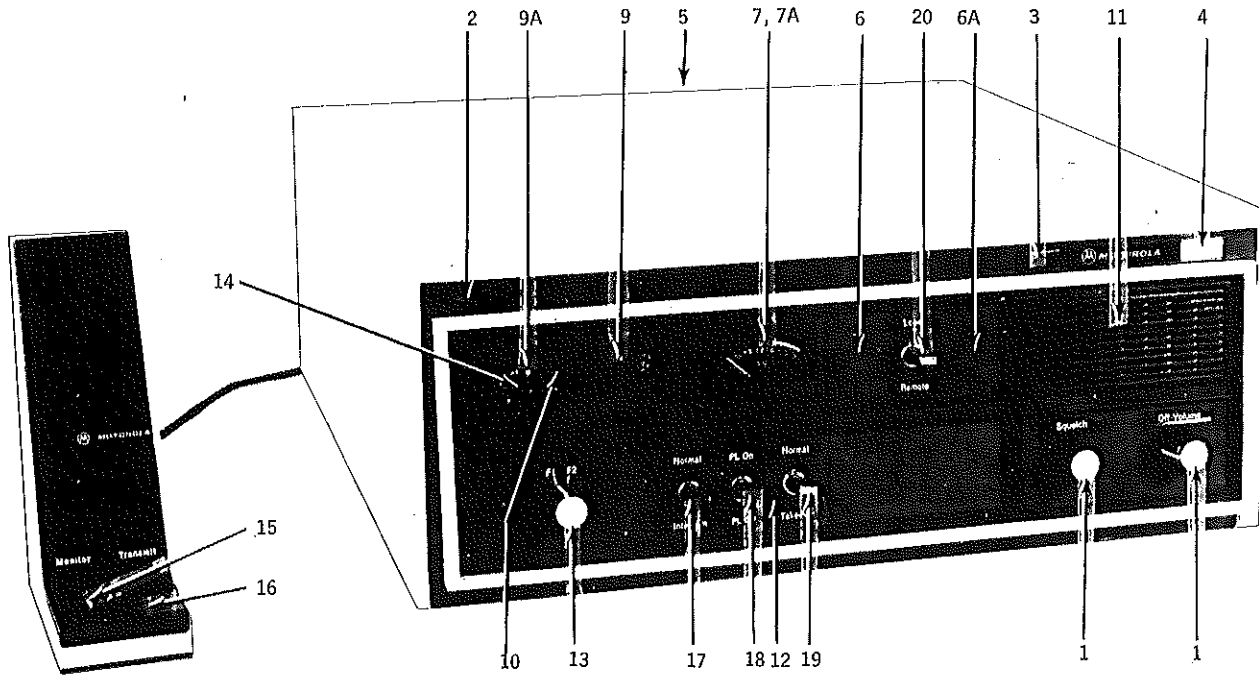
PART NO.	DESCRIPTION
64-83745G01	Plate, locating
07-83421K01	Stiffener, local
01-80716B21	Fastener, snap (rear)
55-83660F03	Lock
75-864052	Bumper, recess
14-83810K01	Insulator, fuse
39-10184H24	Pin, push
01-80717A73	Screw and Knob (plo P4)
15-82075D01	Housing, plug, RH (plo P4)
15-82075D03	Housing, plug, LH (plo P4)
65-82010C03	Lamp, incandescent (14V; 0.08A; type 756)
28-84579F01	Connector, plug, male, coaxial; (UHF type)
09-801050	Connector plug, female; (19 contact)
50-82774C01	Connector plug, oval; (3" x 5"; 3.2 ohms impedance); weatherproof type
80-83029H01	Spark, gap
18-82515B46	Level Set Pot, variable; (25K ±30%; 0.16 W)
18-82700D07	Squelch Pot, variable; (25K ±40%; 0.16 W)
18-82528D04	Volume Control, with on/off switch, variable; (20 ±20%; 2 W; includes dpst switch)
09-82778C01	Lamp Holder, miniature bayonet type
09-83909K01	Fuse Holder; panel mounting
65-135105	Fuse; 10A, 125V
09-82083C02	Fuseholder
30-83211C07	AC Cord and Plug
54-83327G02	Labels



Heat Sink and Housing

REF. NO.	PART NO.	DESCRIPTION
1	27-84628G01	Chassis
2	26-84170G01	Radiator (heat sink)
3	15-84491B01	Cover, chassis (bottom)
4	03-139000	Screw, machine; (10-32 x 1 1/2" slotted hex head)
	04-7652	Lockwasher; (No. 10 external type)
	42-82234G01	Retainer, screw ("O" ring)
5	3-84048B01	Screw, machine; (10-32 x 7/16" slotted hex head) (special "captive" type)
	04-115362	Lockwasher; (No. 10 external type)
	42-82388C02	Retainer, screw ("C" washer)
6	75-10606A01	Bumper, rubber
7	43-82721C03	Retainer, screw; "snap-in" mount
	03-13511	Screw, tapping; (4-40 x 3/8" Phillips hex head, includes captive external-type lockwasher)
8	15-84635G01	Cover, power amplifier
9	41-84707G01	Spring, retainer

L35RTB 806-866MHz



REF. NO.	PART NO.	DESCRIPTION
1	01-80717A73	Screw and Knob Assembly
	09-82778C01	Pilot Light Sockets
	15-83154G01	Pilot Light Covers
2	64-83123G02	Panel and Bezel Assembly
3	65-83241G01	Jewel Light (red)
4	65-83241G02	Jewel Light (green)
	65-82010C03	Bulb Min. Bay. 14V
	09-82778C01	Lamp Holder, Bayonet Type
	09-83909K01	Fuse Holder
	01-80713B47	Front Fastener
	01-80716B21	Rear Fastener
5	15-84922B03	Housing
6	64-83071G40	Insert Panel, (blank)
6A	64-83071G61	Insert Panel, (one switch)
7	64-83073G07	Insert Panel (meter blank)
7A	64-83073G08	Insert Panel Meter
8	64-83071G65	Insert Panel (multi-freq.)
9	64-83074G07	Insert Panel (clock blank)
9A	64-84217A04	Insert Panel Clock
10	61-83066K01	Clock Lens
11	50-82774C04	Speaker, Weatherproof; (3" x 5" 8 Ω)
12	64-83071G58	Insert panel, two switch (multi-freq., no hole in center of panel)
	64-83071G57	Insert panel, three switch
	64-83071G72	Insert panel, two switch (no hole on extreme right of panel)
	64-83071G53	Insert Panel, Singletone
13	36-82869K01	Screw and Knob Assembly
14	TRN-6125A	Electronic Clock Kit
15	38-84184E01	Left Hand Button
16	38-84192E01	Right Hand Button
17	40-83303G04	Lever Switch (TLN-5915A)
	40-83303G10	Lever Switch (TLN-5917A)
18	40-83303G01	Lever Switch
19	40-83303G10	Lever Switch
20	40-83303G05	Lever Switch

Non-Referenced Items

PART NO.	DESCRIPTION
TRN-6736A	Local Control Front Panel

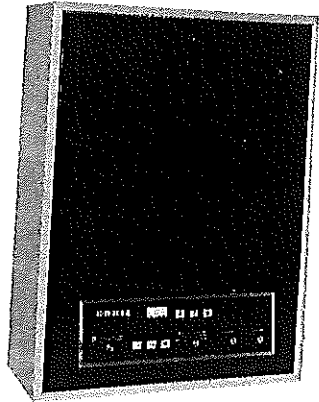
800 MHz CONSOLETTTE THN-6241A Local Control Housing

PART NO.	DESCRIPTION
15-84922B03	Housing
33-83051K02	Nameplate (FCC Transmitter Data)
33-84151E01	Nameplate (Motorola)
36-82869K01	Knobs
54-850440	FCC Label
54-83327G02	Label
64-83071G40	Panel Insert SW (standard size)
64-83073G07	Panel Insert (meter blank vo)
64-83074G07	Panel Insert (clock blank)

THN-6242A Remote Control Housing

PART NO.	DESCRIPTION
15-84922B03	Housing
33-83051K02	Nameplate (FCC Transmitter Data)
33-84151E01	Nameplate (Motorola)
54-850440	FCC Label
54-83327G02	Label

MICOR Base Cabinets



Controls May Be Top Front Mount or Bottom Front Mount.

*See Extended Local Control Console For Replacement Parts On Control Panel

MICOR Base Stations 41" Remote Indoor Cabinet

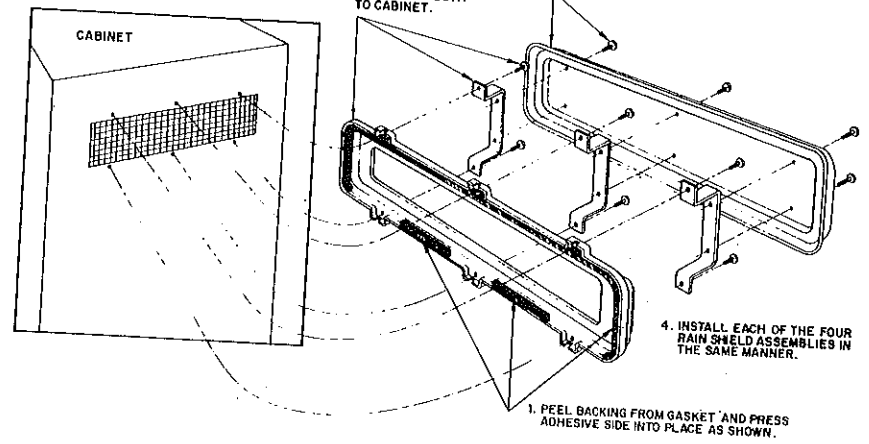
PART NUMBER	DESCRIPTION
THN6142A	Cabinet, Remote Kit W/Doors
15-84143D03	Door, Front
15-84143D04	Door, Back
13-84430D01	Vents, Door
2-83599D02	Speed Nut
55-83616B01	Lock & 2 Keys (Lock #2221)
55-893872	Key #2135
3-135038	Screw Tpg #14 x 3/4" Phl Pan HD (Chassis Mtg)
2-82360B07	Speed Nut
11-84454E01	Touch-up Stick (Vinyl) Shadow White
11-84454E02	Touch-up Stick (Vinyl) Shadow Bronze
2-10101A55	Speed Nut (48 Req'd)

Wallmounting Bracket TLN-4890 30" Height MICOR

PART NO.	DESCRIPTION
07-84456E01	Mtg. Bracket
03-83836C01	Pivot Screw
03-83842C01	Lag Screw
42-84739E01	Spacer Pivot
01-80733B63	Assembly Bracket
55-847015	Catch

TLN-4862A Outdoor Vent Kit

PART NO.	DESCRIPTION
15-84188D01	Cover, Outdoor Vent; (No. 1); (4 req'd)
15-84189D01	Cover, Outdoor Vent; (No. 2); (4 req'd)
32-84452D01	Gasket; (4 req'd)
32-84452D02	Gasket; (8 req'd)
7-84187D01	Bracket, Vent Cover; (12 req'd)
4-490775	Flatwasher; (24 req'd)
4-9795	Lockwasher; (24 req'd)
3-138674	Screw, machine 6-32 x 1/8"; (24 req'd)
3-138209	Screw, tapping 6-32 x 3/8"; (24 req'd)
2-7005	Nut, hex 6-32 x 1/4"; (24 req'd)



MICOR Base Stations 30" Compa-Station Indoor Cabinet

PART NUMBER	DESCRIPTION
THN6152A	Cabinet Local Kit W/Doors
THN6141A	Cabinet Extended Local Kit W/Doors
15-84107D03	Basic Cabinet (Local, Extended Local & Remote)
15-84107D07	Door, Front (Short) (Local)
15-84107D06	Panel, Lower Mtg. (Local)
43-84082D01	Bracket, Panel Mtg. (Local) (2 Req'd)
3-129468	Screw Tpg 10-16 x 5/8" Pln. Hex.
4-7652	Lockwasher #10 Ext. Stl. Cad.
15-84107D04	Door, Front Full (Extended Local & Remote)
15-84107D05	Door, Back (Local, Extended Local & Remote)
13-84430D01	Vents, Door (Local, Extended Local & Remote)
2-83599D02	Speed Nut
55-83616B01	Lock & 2 Keys
55-893872	Key #2135
3-135038	Screw Tpg. #14 x 3/4" Phl. Pan. Hd. (Chassis Mtg.)
2-82360B07	Speed Nut
TKN6586A	Extended Local Control Cable Kit 10 Ft.
TKN6587A	Extended Local Control Cable Kit 25 Ft.
TKN6588A	Extended Local Control Cable Kit 50 Ft.
TKN6589A	Extended Local Control Cable Kit 100 Ft.
11-84454E01	Touch-up Stick (Vinyl) Shadow White
11-84454E02	Touch-up Stick (Vinyl) Shadow Bronze
2-10101A55	Speed Nut (48 Req'd)

MICOR Base Station 60" Indoor Cabinet

PART NUMBER	DESCRIPTION
15-83445K04	Cabinet, 60" (THN-6234A)
13-84430D01	Door Vent (8 Req'd)
02-10101A55	Speed Nut (48 Req'd)

MICOR Base Stations 46" Outdoor W.P. Remote Cabinet

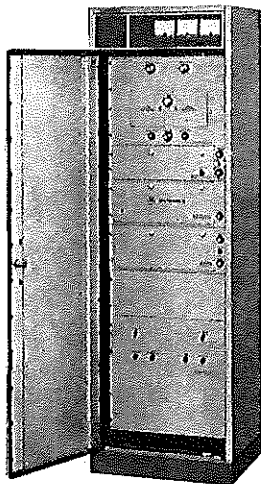
PART NUMBER	DESCRIPTION
THN6143A	Cabinet 46" Outdoor Kit W/Out Vents and Doors
15-84144D09	Door, Front & Back
55-83616B01	Lock & 2 Keys
55-893872	Key #2135
TLN4862A	Outdoor, Vents
15-84188D01	Cover, Outdoor Vent
32-84452D01	Gasket, Long
32-84452D02	Gasket, Short (2 Req'd)
7-84187D01	Bracket, Vent (12 Req'd)
03-138209	Screw, Tpg. 6-32 x 3/8" Phl. Pan. Hd. Znc. (Vent. Brkt. Mtg.)
3-138674	Screw, Mch Scr. 6-32 x 1/8" Phl. Pan. SST. (Vent Mtg.)
4-9759	Lockwasher #6 MD. Split SST.
3-135038	Screw Tpg. #14 x 3/4" Phl. Pan. Hd. (Chassis Mtg.)
2-82360B07	Speed Nut
2-10101A55	Speed Nut (48 Req'd)

COMPA-STATION REPLACEMENT PARTS

*For THN6061A (LOC CONTROL)
THN6062A (EXTND LOC & REM CONT)
THN6063A (EXTR LOC)*

PART NUMBER	DESCRIPTION
15-83968A01	Housing (P.O. THN6063A)
64-83677D01	Frame and Front Panel
2-83599D01	Speed Nuts (For 7D83192B01)
55-83616B01	Lock & Two Keys (Lock #2221)
55-893872	Key #2135
13-83936A01	Meter Escutcheon
13-83935A01	Clock Escutcheon
15-83940A01	Blank Cover 6 1/4" x 2" (5 used)
15-83236C03	Blank Cover 2" x 1 1/4" (12 used)

PART NUMBER	DESCRIPTION
15-83236C04	Squelch and Volume Cover 2" x 1 1/4" with 3/8" Mtg hole
15-83236C02	Toggle Switch Cover 2" x 1 1/4" with 19/32" mtg hole
15-83236C01	Telephone Switch Cover 2" x 1 1/4" with Slotted Hole
36-83938A01	Knob used on Telephone Switch with above Cover
33-83101B01	Label Kit (Complete Set)
36-82633H02	Control Knob
65-82296H02	Light Indicator (amber)
65-82296H01	Light Indicator (red)
61-82723D01	Clock Window
36-82630H01	Knob (For Metering Switch)
15-83950A01	Switch Cover (For Metering Switch)
TLN-8371A	Wall Mounting Bracket Kit
15-83955A11	Front Local Control Door (P.O. THN6061A)
15-83955A13	Back Door (P.O. THN6061A & THN6062A)
15-83151D49	Front Extended Control Door (Louvred) (P.O. THN6062A)



BASE STATION REPLACEMENT PARTS

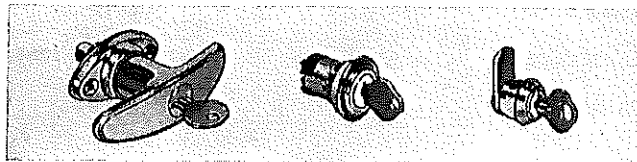
*For THN6058A (OUTDR)
(order rain duct separately)
And THN6057A (INDOOR)*

PART NUMBER	DESCRIPTION
72-84864B01	Meter, 50 ua & 250 volts. Replaces 72-82609H01
72-82610H01	Meter, 300 ma & 500 volts
72-82610H02	Meter, 600 ma scale
72-82610H03	Meter, 3000 volt scale
65-83099A02	Fuse, plug 8 amp
65-83099A04	Fuse, plug 20 amp
33-82276H01	Nameplate
33-82830H01	Nameplate, "Motorola"
40-83846A01	Switch, Interlock
64-83857B01	Plate, mic. mtg.
65-82296H01	Pilot light, red
65-82296H02	Pilot light, amber
42-83112A01	Clip, pilot light
55-82810H01	Handle, lock (Outdoor)
55-837361	Key (CH-751)
55-83674B01	Lock (Indoor)
55-837339	Key (2553)
55-82262H01	Handle (Indoor)
TLN-6892A	Rain duct
TLN-8149A	Alr duct (back)
TLN 8240A	Meter Panel Kit (Indoor) u/o B93LPB (High power station)
TLN 6864A	Meter Panel Kit (Outdoor) J63, J73LPB (Low power station)

PART NUMBER	DESCRIPTION
TLN 6963A	Meter Panel Kit (Outdoor) J93LPB (High power station)
61-83191C01	Glass Meter Panel (Low Power)
7-83153C01	Wrap-around Frame (For Glass Meter Panel)
7-83153C05	Bottom Frame (For Glass Meter Panel)
13-83155C01	Speaker Grille (Indoor Cabinet)
13-82264H01	Speaker Grille (Outdoor Cabinet)
13-83054C01	Meter Grille (Low Power)
41-83154C01	Grille Spring
TLN 6866A	Blank Panel Kit 3 1/2"
TLN 6868A	Blank Panel Kit 7"
TLN 6869A	Blank Panel Kit 8 3/4"
TLN 6870A	Blank Panel Kit 10 1/2"
3-135038	Panel MTG Screw #14
4-812732	Cushion Washer
2-82360B07	Speed Nut #14
1-80738A57	Door and fastener assembly R.H. (High Power Low and High Band) final amplifier
1-80740A22	Door and fastener assembly L.H. (High Power Low and High Band) final amplifier
36-83579B01	Control Knobs for final amplifier (4 used)
36-83764G01	Control Knobs for final amplifier (2 used)
36-83069B01	Shaft lock nut for receiver panel
36-82361H03	Control Knob for receiver panel
36-83141D01	Door Knob for receiver panel
45-83143D01	Cam Lock for receiver panel
43-83147D01	Spacer for receiver panel
41-82651H01	Torque spring for receiver panel.
4-83146D01	Snugging washer for receiver panel
4-82685H03	Special washer for receiver panel
36-83538B01	Threaded knob for accessory kit panel
55-83635B01	Latch for accessory kit panel
41-83634B01	Detent spring for accessory kit panel
7-82282H01	Heat sink for Low and High Band R.F. amplifiers

Locks and Keys-Base Station Modules

Motorola Standard Locks and Keys



MODEL	MOTOROLA LOCK AND KEY #	MOTOROLA KEY # ONLY	MFG. KEY #
10" Mobile Housing	55-893871	55-893872	2135
15" Housing ("T-Power")	55-861050	55-890568	PA-235
(BY) Cabinet	55-893871	55-893872	2135
(BR) Cabinet--Front Door	55-837338	55-837339	2553
(BR) Cabinet--Rear Door	55-837337	55-837339	2553
(BR) Outdoor Cabinet	55-82810H01	55-837361	CH-751
"MOCOM-10"	55-84298C01	55-893872	2135
Motorcycle			
"Dispatcher" Mtg. Rack	55-851486	55-851487	6K11
"MOTRAC"	55-852656	55-893872	2135

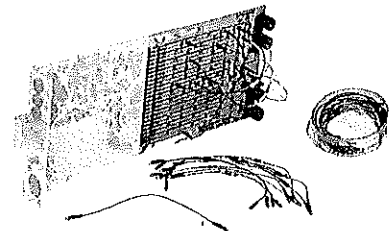
Note: complete lock installation kit available for those units without lock. } MOCOM-10 only order TLN-4400A

MODEL	MOTOROLA LOCK AND KEY #	MOTOROLA KEY # ONLY	MFG. KEY #
Business "Dispatcher" and "MOCOM-30"	55-82082D01	55-893872	2135
New base station (Outdoor)	55-82810H01	55-837361	CH-751
New base station (Indoor)	55-83674B01	55-837339	2553
"MOCOM-70"	55-84912A01 (barrel)	55-893872	2135
	55-84530B01 (nylon lock bolt) PK-747		
	(cam bar)		
"Micor"	55-84101B01	55-893872	2135
"MOCOM-35"	55-84237C01	55-893872	2135
IMTS Control Head (450)	40-83987H01	55-8200H02	2252
IMTS Control Head (150)	40-83471A07	55-8200H02	2252
MTS Control Head (150)	40-82256G01	55-8200H01	H2141
RCC Control Head (Secode)	55-83114H46	55-83114H47	
Transistorized "Compa-Station" Solid-state	55-893871	55-893872	2135
"Compa Station" Transistorized	55-83616B01	55-893872	2135
Consolette Solid-state	55-83660E02	55-893872	2135
Consolette	55-83660E01	55-893872	2135

TEK 38 BASE STATION MODULE SERVICE BOARD

Allows you to test and repair base station modules in the service shop, on the bench! Convenient multiple connector posts permit plug-in jumpering and strapping between any points on the service board.

In addition, the board contains two sets of 3/4" spaced receptacles for connecting a 12V power supply (TEK 23 or equivalent) and an audio oscillator. A kit of 20 assorted plug-in jumper leads (included in kit), consisting of regular jumpers plus resistor type jumpers, permit proper strapping and termination to simulate actual operation in the base station.



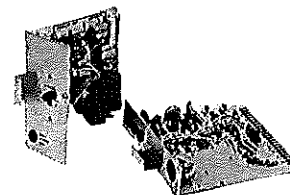
No service shop should be without one of these kits as it will pay for itself in time normally wasted in soldering and clipping in jumpers, etc.

TEK 38 Base Station Module Service Kit

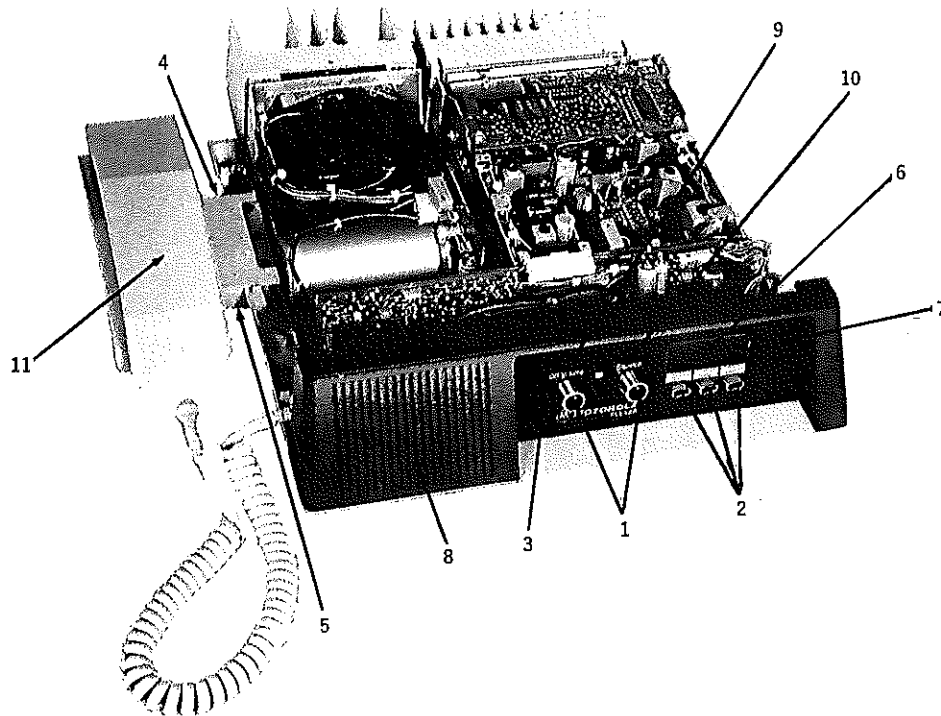
TEKA-75 Patch Lead Kit for TEK-38, consists of 20, 6" leads and storage container

BASE STATION MODULES

MOTOROLA KIT	DESCRIPTION
TLN-1172A	Line driver module
TLN-1173A	Station logic module
TLN-1174A	DC transfer module (1 freq. carrier sq.)
TLN-1175A	DC transfer module (1 freq. "Private-Line")
TLN-1176A	DC transfer module (2 freq. "Private-Line")
TLN-1177A	Decoder module (4 tone)
TLN-1179A	Time out timer
TLN-1180A	Squelch gate module
TLN-1181A	Single tone decoder module
FREQUENCY MUST BE SPECIFIED Std. frequencies: 1500, 1650, 1800, 1950, 2400Hz	
TLN-1684A	Master decoder module
TLN-1230A	Meter module (carrier squelch)
TLN-1231A	Meter module (Private-Line)
TLN-1243A	Decoder module (F1)
TLN-1244A	Decoder module (F1 and P.L.)
TLN-1245B	Guard tone decoder module
TLN-1246A	Decoder module (F2)
TLN-1247A	Mute control module (F2, R2)
TLN-1248A	Control module (C2, R2)
TLN-1249A	Squelch control module
TLN-1250A	Repeater control module
TLN-1251A	Control module ("Private-Line")
TLN-1252A	Control module ("Wild-Card")
TLN-1253A	Control module (Paging)
TLN-1254A	Guard tone detector (Repeater)
TLN-4638A	F1 PL Control Module
TLN-4662A	Squelch Gate Module



MOTOROLA KIT	DESCRIPTION
TLN-4636A	Time Out Timer Module
TLN-4665A	F2 Tone Control Module
TLN-1248A	C2 R2 Tone Control Module
TLN-4658A	F1 Tone Control Module
TLN-1245B	Guard Tone Decoder
TLN-4660A	DC Transfer Module (F2 R2 Mute)
TLN-4659A	DC Transfer Module (F1-PL)
TLN-4663A	DC Transfer Module (C2 R2)
TLN-4661A	DC Transfer Module (F1)
TLN-4669B	Line Driver (2 Wire 1 Receiver)
TLN-4670B	Line Driver (2 Wire 2 Receiver)
TLN-4635B	Station Control Module
TLN-5294A	F1 PL Control Module
TLN-5293A	F1 Control Module
TLN-5292A	4 Frequency Module
TLN-8799A	Service Board



REF. NO.	PART NO.	DESCRIPTION
1	38-83281L01	Knobs
2	38-83282L01	Pushbuttons
3	13-83280L33	Escutcheon DC Remote Control
	13-83280L04	Escutcheon 1 freq with clock
	13-83280L05	Escutcheon 2 freq with clock
	13-83280L09	Escutcheon 1 freq
	13-83280L10	Escutcheon 2 freq
	13-83280L19	Escutcheon 1 freq with clock and intercom
	13-83280L01	Escutcheon 2 freq with clock and intercom
	13-83280L30	Escutcheon 1 freq with intercom
	13-83280L06	Escutcheon 2 freq with intercom
4	15-83459L01	Cradle, top
5	15-83458L01	Cradle, bottom
6	TRN-6798A	Digital Clock, 12 or 24 hr
7	43-83291L01	Clock Window
8	50-83981L01	Speaker
9	18-83288K01	Volume Control with on/off switch
10	18-83287K01	Squelch Pot
11	TMN-1016A	Handset

TMN-1016A Handset

PART NO.	DESCRIPTION
01-80797B71	Handset cable
03-82926L01	Captive screw
05-82324L01	Cartridge grommet
13-84022L01	Escutcheon handset
15-83454L01	Housing handset top
15-84745K02	Housing handset bottom
42-82325L01	Speaker clip
42-82465L01	Coil cord clip
50-82225L01	Speaker, 40 mm
59-84640E01	Mic cartridge
64-83967L01	Mounting plate
75-82111M01	Foam pad
TRN-6815A	Handset board with components
01-80792B27	PTT switch
	Switch, push consists of 07-84752K01 Switch bracket, 38-84751K01 PTT button, 40-82712L01 Leaf switch

Non-Referenced Items

PART NO.	DESCRIPTION
09-82442E06	Antenna Connector
65-4165	Fuse (15 amp 32V; 12V Power Supply)
66-82977K01	Tuning Tool
TRN-6824A	Audio Board, 3 watt
KXN-6122A	Receiver Crystal (Crystal Service Item)
KXN-6121A	Transmitter Crystal (Crystal Service Item)
LKN-6209A	Vibrasponder Resonant Reed (Crystal Service Item)
01-80707D40	Line Cord
64-83279L01	Front Panel
75-10606A06	Rubber Feet
65-83376K01	Lamp
01-80791B46	Crystal Heater for 2 PPM elements
26-82571L01	Heat Sink
26-83336L01	Receiver Shield
26-84604K02	Power Amplifier Shield
26-84848K01	Tripler Shield
42-84284B01	Retainers (6 used)
40-84979B15	Pushbutton Switch dpdt
65-61688	Fuse, 4 amp 250V (100/120V models)
65-20404	Fuse, 3 amp 250V (220/240V models)
07-83289L01	Bracket for Pots
15-83292K01	Metering, Housing Connector (15 contacts)
29-84706E06	Contacts, female (for 15-83292K01 connector)

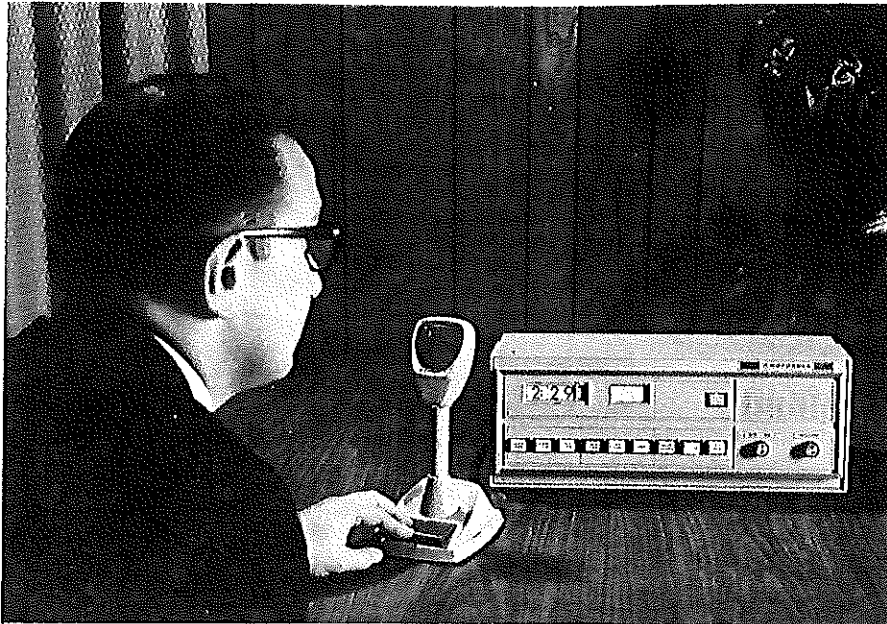
Local and Remote Housing, Common Parts

PART NO.	DESCRIPTION
01-80797B68	Rad intercom cable
01-80797B69	Cable terminal strip
01-84204L01	Base and panel
03-139776	Tpg Scr (5-20 x 3/8 Phl Pan)
03-83436L01	Machine Screw (Metric) (3 x .5 x 35 Poz Pan)
15-83277L01	Top cover
15-83923L01	Shroud—back cover power supply
33-83051K02	Nameplate
42-10128A18	Rubber retaining ring
42-82143C01	Cable clamp
42-82143C03	Cable clip
54-84565K01	Label
75-10606A11	White rubber bumpers

Local Housing

PART NO.	DESCRIPTION
01-80707D03	SPKR
01-80708D03	Lead and contact
03-136138	Tapping screw (6-32 x 3/8 Phl Hex)
03-139773	Tapping Screw (5-20 x 1/2 Phl Pan)
05-83903L01	Grommet
35-84057L01	Grille cloth

Remote Control Console Options for Models T-1366BM, T-1367BM, & T-1390 Series



Ordering Remote Control Consoles:

Because of system consideration, it is always advisable to contact your Motorola Radio Communications Representative when ordering these units. He will be happy to supply you with further information and assist you in integrating these units into your radio system.

Options used on: T-1336BM, T-1367BM, and T-1390 Series

Control Point Options		
TONE CONTROL	DC CONTROL	DESCRIPTION
TLN-1327A	TLN-1327A	Supervisory switch
TLN-1352A	TLN-1316A	Line operated xmit light
TLN-1337A Replaces TLN-1336A	TLN-1337A Replaces TLN-1336A	Five frequency single tone encoder**
TLN-1334A	TLN-1334A	Remote console phone patch
TLN-1340A	TLN-1340A	4-wire audio adapter
TLN-1331A	TLN-1331A	Intercom switch
TLN-1314A	TLN-1314A	Alert tone
TLN-1317A	TLN-1317A	VU meter

Operator Convenience Options		
TONE CONTROL	DC CONTROL	DESCRIPTION
TLN-1329A	TLN-1329A	transmit switch
TLN-1315A	TLN-1315A	speaker mute

TONE CONTROL	DC CONTROL	DESCRIPTION
TLN-1328A	TLN-1328A	PL switch (receiver)
TLN-1323A	TLN-1323A	emergency power alerting
TLN-1356A	TLN-1330A	F1, F2 switch
TLN-1351A	TLN-1332A	Mute receiver #2**

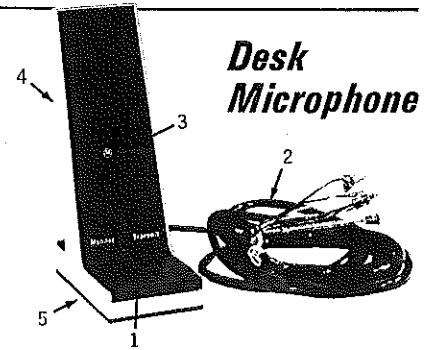
Unique System Options		
TONE CONTROL	DC CONTROL	DESCRIPTION
TLN-1333A	TLN-1333A	Alternate line
TLN-1353A	---	Wildcard module console I*
TLN-1354A	---	Wildcard module console II*
TLN-1355A	---	Squelch control console module*
TLN-1356A	---	Operate "PL" console module* Repeater control module* Disable "PL" transmit module

TLN-1342A Pushbutton accessory sw. 6 form C contacts. Tone or dc.

*Where a remote base station is controlled by more than one remote console, only one console can have any of these options.

**Included with 2 freq. model.

***Do not order 2100 Hz or 2250 Hz. These frequencies will interfere with guard tones.

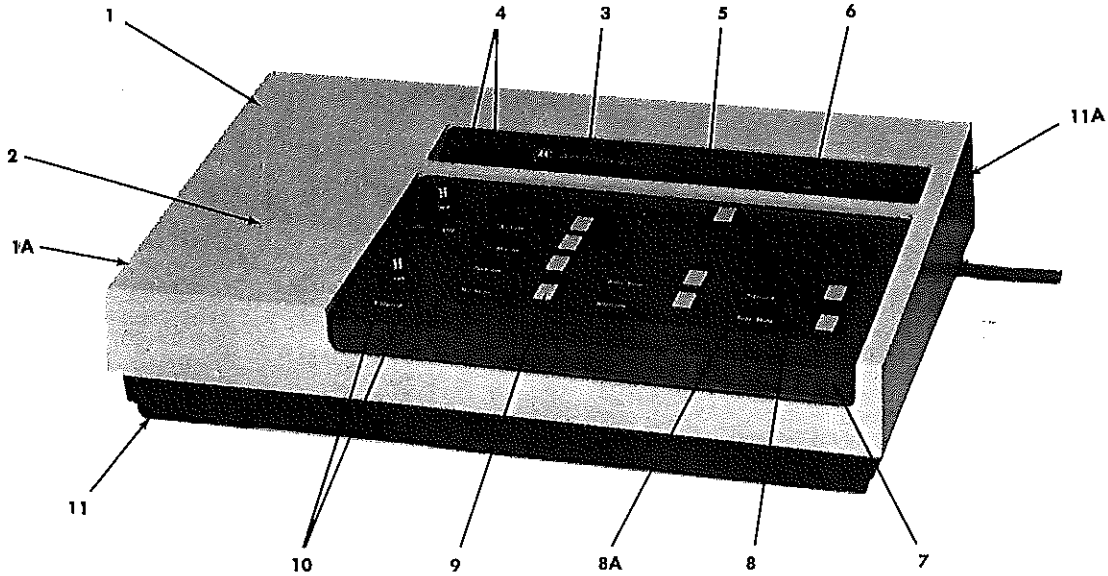


Replacement Parts for TMN-1004A, TMN-1005A, TMN-1012A, TMN-1013A, TMN-1014A, and TMN-1015A

Ref. Symbol	Part Number	Description
1	38-84184E02	Button, left hand (THN-6154A, THN-6279A) (C.S. Mic.)
	38-84184E01	Button, left hand (THN-6155A, THN-6280A) P.L.
	38-84192E01	Button, right hand, transmit
	40-84711E02	Switch leaf: 2 section, multiple nonlocking contacts (THN-6154A, THN-6279A) (C.S. Mic.)
	40-84711E01	Switch, leaf: 2 section, multiple nonlocking contacts (THN-6155A, THN-6280A) (P.L. Mic.)
	3-136676	Screw, switch mtg. 4-40 x 1/4 pnl hex
	42-84725E01	Clip, retainer
	47-84193E01	Shaft
	47-84194E01	Shaft Extension, for 47-84193E01
	47-84723E01	Shaft Coupling (THN-6154A), (Carrier Squelch Only) (THN-6279A)
	22-82591C05	Pin, roll (THN-6154A, THN-6279A) (Carrier Squelch Only)
2	1-80736B05	Cable Assembly For TMN-1004A, TMN-1005A, TMN-1012A, and TMN-1013A; includes: 29-847854 Lug, slotted tongue (7 required)
	1-80788B86	Cable Assembly for TMN-1015A includes: 29-82336A02 connector pins (7 required)
	1-80788B85	Cable Assembly for TMN-1014A includes: 28-16370 4 plug connector
3	15-84186E01	Cover, front
	26-84720E01	Foil, grounding, front cover
	3-138810	Front cover screw 4-40 x 3/8 phi bn hx bk ox
4	4-10058B10	Washer ("Teflon")
	5-84371E01	Grommet, cartridge
	42-84724E01	Clip, grounding
	15-84188E01	Cover, rear
5	26-84721E01	Foil, grounding, rear cover
	15-84191E01	Housing
	64-84183E01	Plate, base
	75-84722E01	Pad, base plate
	3-138809	Base plate screw 4-40 x 3/8 phi bn hx bk ox

Model vs. Housing Kit

Sales Model	Kits			
	THN-6154A	THN-6155A	THN-6279A	THN-6280A
TMN-1004A	X			
TMN-1005A		X		
TMN-1012A	X			
TMN-1013A		X		
TMN-1014A			X	
TMN-1015A				X



Replacement Parts For T1600 AM Series

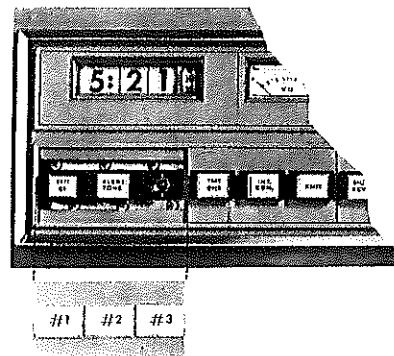
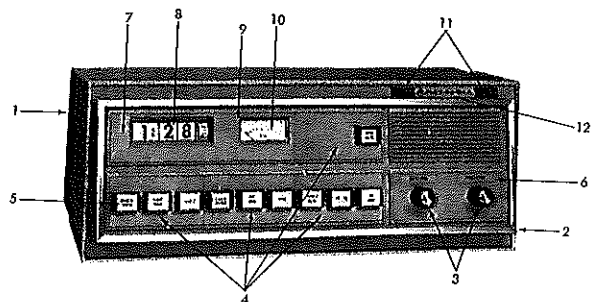
Ref. Symbol	Part Number	Description	Ref. Symbol	Part Number	Description
1	15-84185E01	Cover, Top		43-84196E23	Insert Button (Los Off-On)
1A	43-84879E01	Cover, Side		43-84196E24	Insert Button (Antenna 1-2)
	3-134214	Screw 6-32 x 5/8 Ph. Hex.		43-84196E25	Insert Button (Power Hi-Low)
2	50-84611E01	Speaker		43-84196E26	Insert Button (Power AC-Bat.)
	35-84614E01	Grille Cloth		43-84196E27	Insert Button (Alarm Off-On)
	1-80737B34	Speaker Cable		43-84196E28	Insert Button (Xmit "PL" Off-On)
	2-10101A70	Fastner (For Mtg Spkr) (4 Req'd)		43-84196E29	Insert Button (Scan Off-On)
3	61-84317G01	Window (With Clock)		43-84196E30	Insert Button (Area Off-On)
	61-84318G01	Window (Without Clock)		43-84196E31	Insert Button (Region Off-On)
	2-10101A25	Fastner (For Mtg Window & Cover) (12 Req'd)		40-84324C17	Switch Pushbutton (P-P 2 Form C)
4	1-80732B82	Green Lamp Assem.		40-84324C18	Switch Pushbutton (P-P 4 Form C)
5	TLN-5011A	Electric Clock (12 or 24 Hrs. 50-60 Hz)		40-84324C19	Switch Pushbutton (Mom 2 Form C)
	46-84203E01	Card Guides (2 Req'd)		40-84324C20	Switch Pushbutton (Mom 4 Form C)
	3-134268	Scr. Tpg 4-660 x 3/8 (2)		40-84324C21	Switch Pushbutton (4 Pos. Interlock-4 Freq.)
6	72-84969E01	Vu Meter		40-84324C22	Switch Pushbutton (6 Pos. Interlock-Single Tone)
	7-84692E01	Bracket Mtg.		14-84891E01	Insulator Pushbutton Switch (2 Req'd)
	42-84693E01	Retainer Lock Pin		38-82039K01	Button (Black)
	46-84203E01	Card Guides (2 Req'd)		38-84204E01	Button Cap (White)
	3-134268	Screw Tpg #4-40 x 3/8" Phi Hex Ch (2)		61-84717E01	Filter Insert Pushbutton
7	15-84182E01	Module Cover (Standard)		46-84203E01	Card Guides (2 Req'd)
	15-84268G01	Module Cover (Single Tone)		3-134268	Screw Tpg #4-40 x 3/8" Phi Hex Ch (2 Req'd)
	15-84267G01	Module Cover (4 Frequency)			(Light Emitting D13D8)
	15-84266G01	Module Cover (Keyboard)		1-80735B87	Assembly Ckt Brd with 1 L.E.D.
	15-84273G01	Module Cover (4 Freq. & Keyboard)		1-80735B88	Assembly Ckt. Brd with 2 L.E.D.'s
8	43-84197E01	Blank Insert		48-84404E01	*Diode L.E.D. (Red)
	61-84716E01	Filter Blank		40-83400G02	Switch (Off-On)
8A	43-84196E01	Insert Button (Blank)	10	18-84609E01	Pot. (Volume)
	43-84196E02	Insert Button (Intercom)		2-8364	Nut (3/8-32)
	43-84196E03	Insert Button (Take Over)		4-7698	Washer (3/8 Int)
	43-84196E04	Insert Button (Freq. 1 & 2)		36-84960D02	Knobs
	43-84196E05	Insert Button (Emergency Power)		4-84916E01	Knob Washer
	43-84196E06	Insert Button (PL Monitor)		64-84701E01	Base Plate
	43-84196E07	Insert Button (Transmit)	11	3-136715	Mtg. Screw (3 Req'd)
	43-84196E08	Insert Button (Alternate Line)		75-84873E01	Foot Rubber
	43-84196E09	Insert Button (Speaker Mute)		3-129498	Mtg. Screw (4 Req'd)
	43-84196E10	Insert Button (Repeater Off-On)		4-135565	Washers (4 Req'd)
	43-84196E11	Insert Button (Scrambler Off-On)	11A	3-138798	Set Screw 8-32 x 1" (Lifts Console 1") (2 Req'd)
	43-84196E12	Insert Button (Rcvr 2 Off-On)		75-84874E01	Tip Bumper (2 Req'd)
	43-84196E13	Insert Button (Rcvr CS-"PL")			
	43-84196E14	Insert Button (Station 1-2)			
	43-84196E15	Insert Button (Lights Off-On)			
	43-84196E16	Insert Button (Squelch Min.-Max.)			
	43-84196E17	Insert Button (Rcvr 2 Mute)			
	43-84196E18	Insert Button (Alert Tone)			
	43-84196E19	Insert Button (Emergency)			
	43-84196E20	Insert Button (Transmit Area-Region)			
	43-84196E21	Insert Button (Region Off)			
	43-84196E22	Insert Button (Busy-Disable)			

Non Referenced Items

Part Number	Description
65-21975	Fuse 1/2A 250V 3 AG.
80-83029H04	Spark Gap (350V) (P/O TLN-4977A)

*See manual for installation instructions.

Remote Control Console Desk Sets

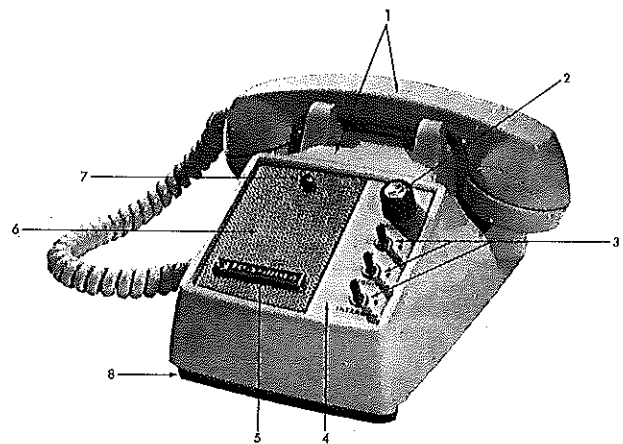


REF. SYMBOL	PART NUMBER	DESCRIPTION
1	15-83113G01 37-87224 3-82538E01	Housing Rubber Feet (Replaces 5-83786C01) Screw, Special (Captive)
2	64-83123G01 7-84101D01 2-83599D04	Panel and Bezel Front Frame (Replaces 7-83118G01) Nut, Speed
3	18-82915E04 40-83400G01 36-82629H02	Pot. (20 ohm) Volume Switch, Rotary (Off-On) Knobs
4	64-83071G39 64-83071G41 64-83071G42 64-83071G43 64-83071G44 64-83071G45 61-83440G01	Insert, Switch (Blank) (Replaces 64-83071G01) Insert, Switch (Opening #1) (Replaces 64-83071G02) Insert, Switch (Opening #2) (Replaces 64-83071G03) Insert, Switch (Opening #1, #2) (Replaces 64-83071G04) Insert, Switch (Opening #1, #3) (Replaces 64-83071G05) Insert, Switch (Opening #1, #2, #3) (Replaces 64-83071G06) Push Button Insert Assort. 1 ea.
5	54-83412G01	Blu, Grn, Red, Wht, & Yel. Labels, Switch (Assortment)
6	54-83327G01	Labels (Assortment—Off-On, Volume, etc.)

REF. SYMBOL	PART NUMBER	DESCRIPTION
7	64-84217A01	Insert, Clock (Blank). Replaces 64-83074G01
8	61-83072G01	Window, Clock (lens)
9	64-83073G06 64-83073G05	Insert, Meter (Replaces 64-83073G02) Insert, Meter (Blank) (Replaces 64-83073G01)
10	72-83270G01	Meter VU
11	65-83241G01 65-83241G02 9-82778C01 15-83154G01 2-83599D02	Jewel, Lite (Red) Jewel, Lite (Grn) Socket, Pilot Light Cover, Light Nut, Speed
12	33-83318G01	Nameplate (Motorola)

NON-REFERENCED ITEMS

PART NUMBER	DESCRIPTION
65-861828	Lamp (14V) #330 U/with Switches
65-82010C03	Bulb, Min. Bay. (14V) #756
65-475395	Fuse (1/2 Amp 3AG 125V)
50-82774C01	Speaker 3.2 ohm (3x5 PM)
1-80779A01	Assem. Shield Eyeleted (PA Board Terminals)
33-83751C01	Nameplate (Model)
30-83211C09	A.C. Cord & Plug (Replaces 30-83211C02)



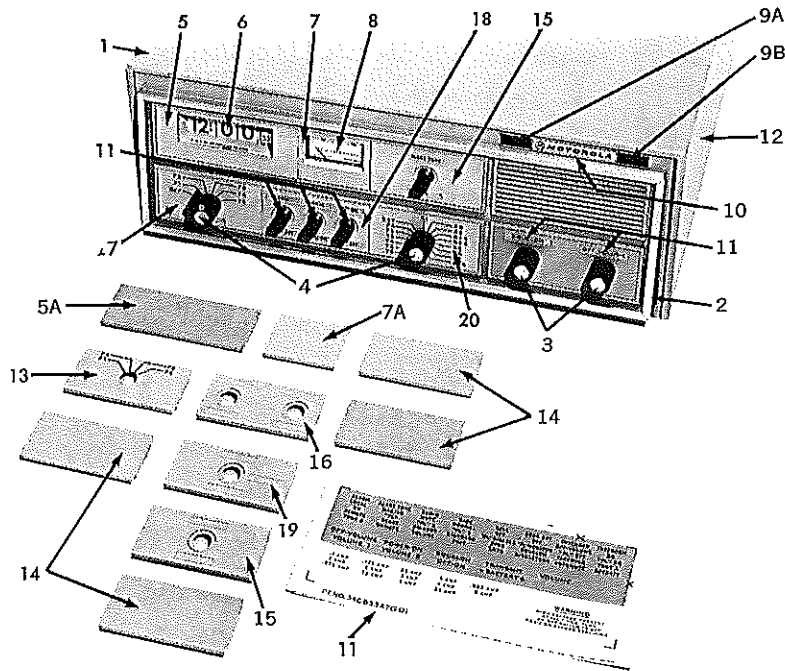
NON-REFERENCED ITEMS

59-83272G01	Cartridge
30-83211C03	A. C. Cord & Plug
50-83205B03	Speaker
65-892098	Fusetron (3/16A-125V)
33-83675G01	Nameplate
TKN-6323A	Batt. Cable U/W T1378A, 79A, & 80A
65-61688	Fuse (4 Amp-3AG)

REF. SYMBOL	PART NUMBER	DESCRIPTION
2	36-82628H03	Knob, Control
3	40-83334G01 40-83334G02 40-83334G03 40-83334G04	Switch, Lever-Locking; Cont., 1 Form "C" Switch, Lever-Cont., 1 Form "A", 2 Form "C" Switch, Lever-Non-Locking; Cont., 1 Form "A", 1 Form "B", 1 Form "C" Switch, Lever-Cont., 1 Form "A", 1 Form "C"
4	33-83336G01 33-83336G02 33-83336G03 33-83336G04 33-83336G05	Escutcheon U/W T1375A & T1378A Escutcheon U/W T1376A & T1379A Escutcheon U/W T1377A & T1380A Escutcheon U/W T1370A Escutcheon U/W T1371A
5	33-83488G07 2-83599D03	Nameplate Nut, Speed
6	64-83240G01	Plate, Grille
7	61-82720C01 2-83599D01 9-83621G01 26-83622G01 65-82010C03	Jewel, Pilot Light (Red) Nut, Speed Socket, Pilot Light Shield, Lamp Bulb (14V) #756
8	75-83620G01	Foot, Rubber

REF. 1	BLACK	RED	GREEN	BEIGE	WHITE
Housing & Handset (Standard)	TLN-8680A	TLN-8681A	TLN-8682A	TLN-8684A	TLN-8685A
Housing & Handset (Tone models)	TLN-4093A	TLN-4090A	TLN-4092A	TLN-4095A	TLN-4094A
Handset Assy Only (Standard)	1-80704B52	1-80704B54	1-80704B57	1-80704B56	1-80704B53
Handset Assy Only (Tone models)	1-80704B58	1-80704B60	1-80704B63	1-80704B62	1-80704B59

Solid-State CONSOLETTTE Base Station



REF. SYMBOL	PART NUMBER	DESCRIPTION
1	15-84922B01 15-83150G01	Housing Transistorized consolette*
2	64-83123G01 7-83118G01 77-83508C03	Plastic panel & alum. bezel assem. Metal frame behind plastic panel. Alum. bezel only
3	18-82528D01 18-82810C07 18-82700D07 36-82629H02	Pot. Carbon w/switch (volume) Transistorized consolette* Pot. carbon (squelch) Knob
4	36-82630H01	Knob (pointer)
5	64-84217A01	Panel insert (clock)
5A	64-83074G05	Panel insert (clock blank) (Replaces 64-83074G01)
6	61-83072G01	Window (clock) (lens)
7	64-83073G06	Panel insert (VU meter)
7A	64-83073G05	Panel insert (VU meter blank) (Replaces 64-83073G01)
8	72-83270G01 42-83155G01 26-83747G01	VU meter Clip, meter Shield, meter
9	65-82010C03 9-82778C01 2-83599D02 15-83154G01	Lamp, min. bay. (14v) #756 Sockets, lamp Nut, speed Cover, light
9A	65-83241G01	Jewel, lite (red)
9B	65-83241G02	Jewel, lite (grn)
10	33-83318G01	Nameplate (Motorola)
11	54-83327G01	Labels for switches and controls (assortment)
12	1-80775A46 75-864052	Assembly bottom cover w/bumpers Recessed bumpers p/o bottom cover
13	64-83071G63	Panel insert, switch U/W TLN-8619A multi freq. kit (Replaces 64-83071G08)
14	64-83071G39	Panel insert, switch (blank) (Replaces 64-83071G01)
15	64-83071G59	Panel insert, switch U/W TLN-8664A Alert Tone or TLN-8622A private line kits (Replaces 64-83071G07)
16	64-83071G56	Panel insert, switch 2 openings U/W TLN-8663A inter-comm only (Replaces 64-83071G13)
17	64-83071G14	Panel insert, switch U/W TLN-8711A single tone, multi freq. kit

REF. SYMBOL	PART NUMBER	DESCRIPTION
18	64-83071G55	Panel insert, switch 3 openings U/W TLN-8663A inter-comm and private line kit (Replaces 64-83071G12)
19	64-83071G16	Panel insert, switch U/W TLN-8721A tone squelch kit
20	64-83071G67	Panel insert, DC metering (Replaces 64-83071G10)

NON-REFERENCED ITEMS

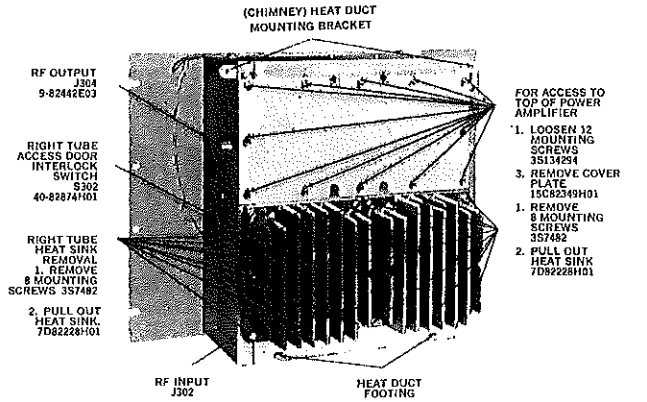
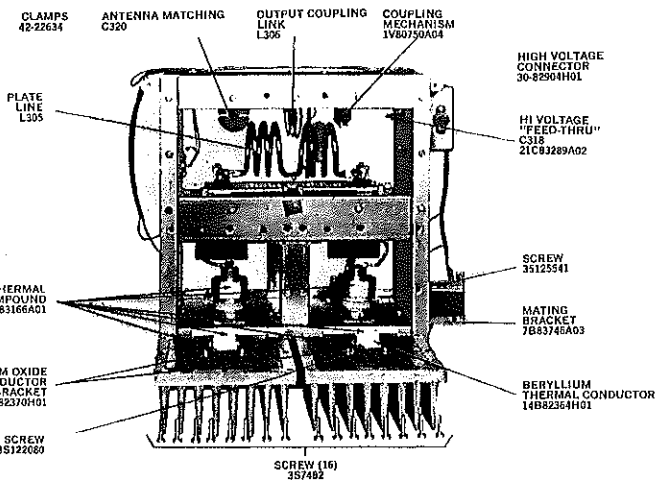
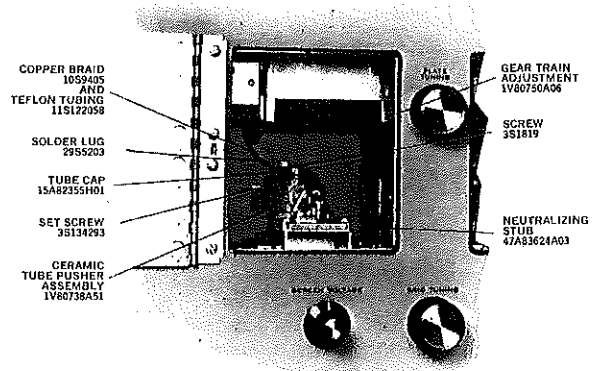
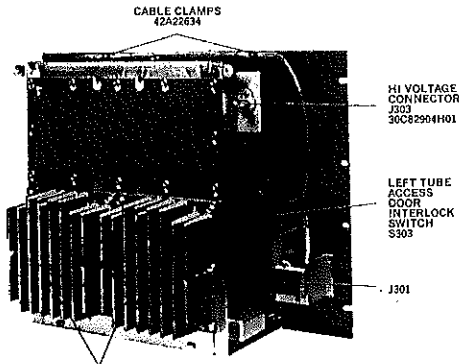
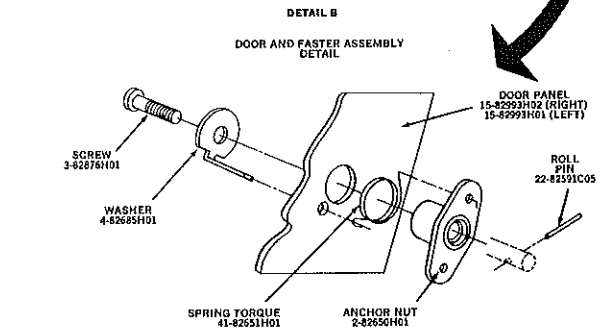
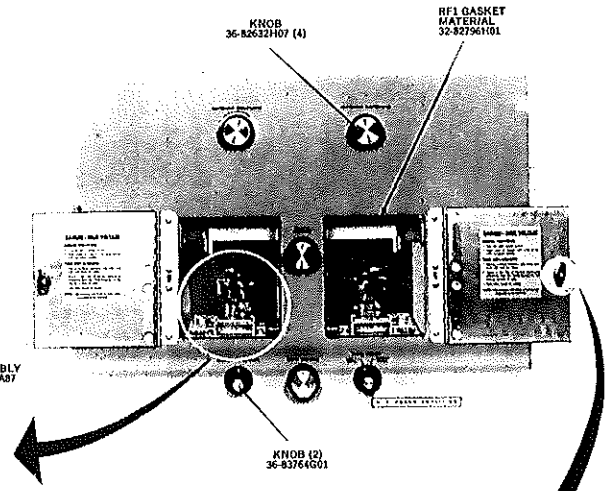
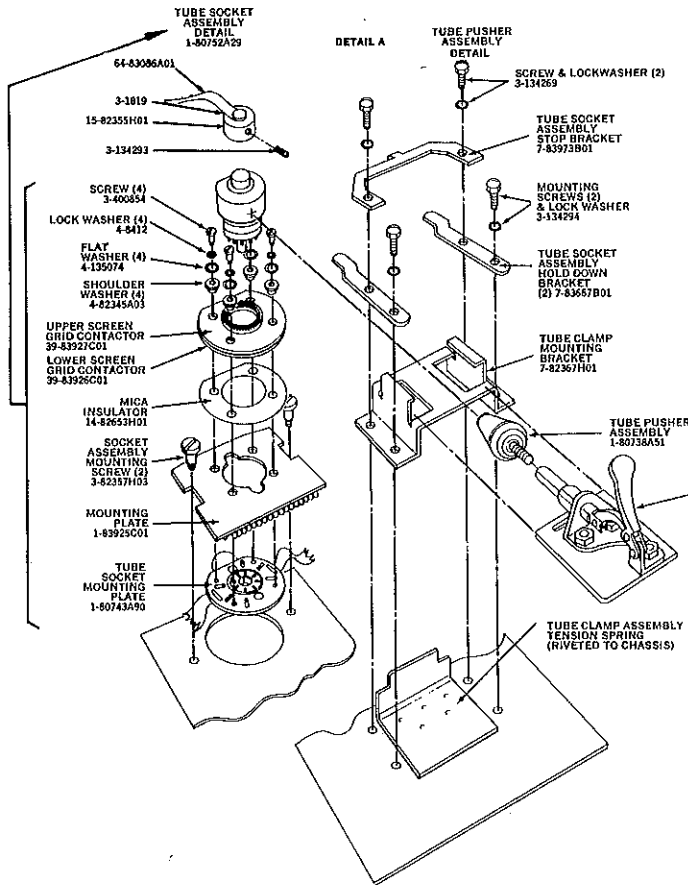
1-80776A49	Assem. Line Cord
50-82774C01	Speaker
55-83660E03	Lock W/Keys
55-893872	Keys
33-83675G01	Nameplate
13-813618	Label (Patent)
54-842366	Label (Replacement Parts)
54-850440	Label (F.C.C.)
36-82944A01	Knob, Volume P/O Inter-Comm Kit Used Internally
2-7019	Nut (4-40 x 1/4 Hex)
2-1376	Nut (3/8-32 x 1/2 Hex)
2-83599D04	Nut, Speed U/W Front Panel
3-135049	Screw (10-32 x 3/8 Pln Hex In Lk)
3-129890	Lock Screw (10-32 x 3/8 Pln Hex)
3-134212	Tapping Screw (4-40 x 3/16 Phl Hex Ex Lk)
3-134184	Tapping Screw (4-40 x 3/16 Phl Hex In Lk)
3-115727	Lock Screw (10-32 x 1/2 Pln Hex)
3-82227A02	Screw, Special
3-134186	Screw (#6 x 3/16 Pln Hex)
3-3398	Screw (#6 x 3/8 Pln Hex)
3S488098	Tapping Screw (#8-18 x 3/8 Pln Hex)
4-1720	Washer, Flat (.156-3/8-.030)
4-7698	Washer (3/8 Int)

*pre-1971 with tube output

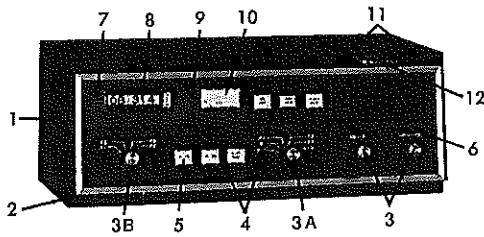
Base Power Amplifier

Parts Lists

MODEL	FREQ. RANGE	MODEL	FREQ. RANGE
TLB-6521A	25-30 MHz	TLB-8141A	25-30 MHz
TLB-6522A	30-36 MHz	TLB-8142A	30-36 MHz
TLB-6523A	36-42 MHz	TLB-8143A	36-42 MHz
TLB-6524A	42-50 MHz	TLB-8144A	42-50 MHz



MICOR Base Stations and Blowers, Timers and Clock Motors

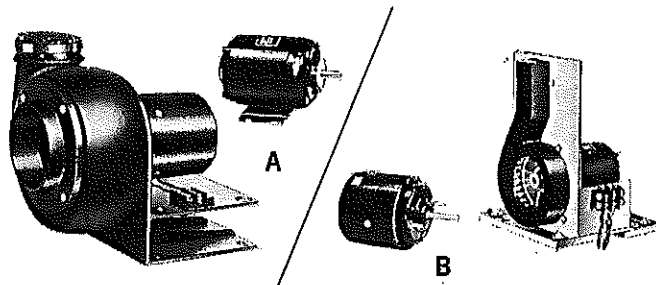


Extended-Local Control Console

REF.	PART NO.	DESCRIPTION
1	15-83113G02 5-83786C01 3-82538E01	Housing Rubber Feet Screw, Special (Captive)
2	64-83123G02 7-83118G01 2-83599D04	Panel and Bezel Front Frame Nut, Speed
3	18-84609E02 18-82515B51 36-82629H02	Pot, (100 ohm) Off-Vol Pot, (25K) Squeech Knobs
3A	40-84359B01	Sw Rotary (Off—F1 Thru F5)
3B	40-83304G02	Sw 2P, 4 Pos. (F1 Thru F4)
4	64-83071G21 64-83071G22 64-83071G23 64-83071G24 64-83071G25 64-83071G26	Insert, Sw (Blank) Insert, Sw (Opening #1) Insert, Sw (Opening #2) Insert, Sw (Opening #1, #2) Insert, Sw (Opening #1, #3) (Opening #1, #2, #3)
5	40-83271G04 40-83271G08 40-83271G14	Sw, Pushbutton Intercom & Transmit (Not Locking— Single Lamp) Sw, Pushbutton (Take Over) Locking—(Single Lamp) Sw, Pushbutton (2 Freq.) (Locking—Twin Lamp.)
6	54-84841E01	Labels, (Assort—Off-On, Vol, Etc.)
7	64-84217A02 64-83074G03	Insert, Clock Insert, Clock (Blank)
8	72-84216A09 72-84216A10 61-83072G01	Clock (12 Hr) Clock (24 Hr) Window, Clock
9	64-83073G08 64-83073G07	Insert, Meter Insert, Meter (Blank)
10	72-83270G01	Meter, Vu
11	65-83241G01 65-83241G02 9-82778C01 15-83154G01 2-83599D02	Jewel, Lite (Red) Jewel, Lite (Grn) Socket, Pilot Light Cover, Light Nut, Speed
12	33-84151E01	Nameplate (Motorola)

Non Referenced Items

65-861828	Lamp (14V) #330 4/with Switches
65-82010C03	Bulb, Min. Bay. (14V) #756
65-475395	Fuse (1/4 Amp 3AG 125V)
50-82774C04	Speaker 16 Ohm (3 x 5 PM)
42-83629G01	Fastener



BLOWERS

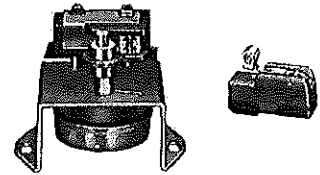
A. Blower and motor complete. Supplies 200 cu. ft./minute. Used as bottom blower in 250-300 watt base station equipment.

PART NO.	DESCRIPTION
59-82627G01	For 25-174 MHz base stations.
59-850955	Replacement motor (for 59C 51448) 1550-1590 RPM 1/20HP.
59-852546	Replacement motor (for 1V 852608) 3350 RPM 1/10HP.
1-852609	Replacement motor as above except supplied with starting capacitor, bracket, leads with lugs, etc.
64-50430	Replacement air filter for above blowers.

B. Blower and motor complete. Used as top blower in 250-300 watt base station equipment.

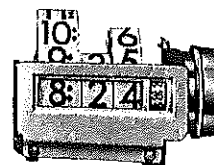
PART NO.	DESCRIPTION
59-84636	Replacement motor for P8451C (Bodine Mfg.) 3350 RPM 1/40HP. (This type does not use a starting capacitor.)
1-852178	Complete motor assembly includes 59C 850286 motor, capacitor, bracket, leads with lugs, etc. (For P8451 series blower) Consists of mounting plate and 2 shock mounts for P8451C blower.
1-86766	Left hand side.
1-86767	Right hand side.
75-82686E02	Shockmounts only. (Four used per blower.)
59-84548C01	Motor and blower only. AC Motor: 3,300 RPM, single phase for communication equipment. Matched blower for continuous duty operation on 120 volt 50/60 Hz single phase line delivers 80 CFM.
35-82754G01	Filter screen for above (size 7.812" x 7.812".)

TIMERS AND TIMER SWITCHES



PART NO.	DESCRIPTION
80-82220A01	30-45 second timer as used in base station equipment. (110VAC/60 cycle.)
59-859730	Timer adjustable to 5 minutes. (110VAC/60 cycle.)
80-83172C01	Timer adjustable from 30 sec. to 30 min. indoor base station.
80-83172C02	Timer adjustable from 5 sec. to 5 min. indoor base station.

TIMER PART NO.	SWITCH MFG. NO.	MOTOROLA PART NO.
80-863800	L3019 or 2HBT-208A-1 or 2HBT-208C-1 or 2HBT-208C5 2HBT-208C-5	40-868519 40-84254C96 40-84306A48
59-859730	or 2HBT-61-3	40-868519
80-83172C01	B2-R88-A2	40-84254C96
80-83172C02	90-203	40-84306A48



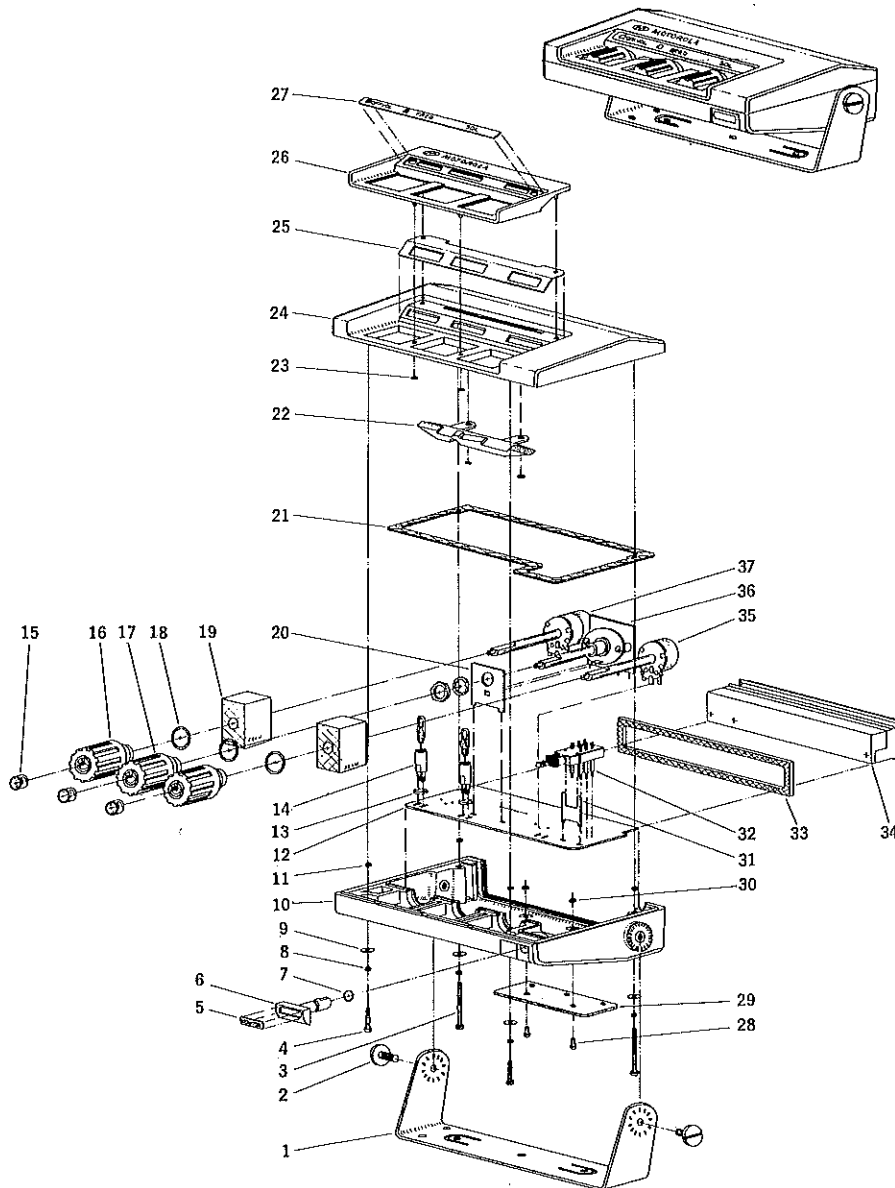
REPLACEMENT CLOCK MOTORS 50 and 60 Hz 115 VAC

Order number 59-82759C01 for use on the following clock numbers: 72-855220, 72-861046, 72-82922B01, 72-82922B02, 72-82922B04, 72-82922B05, 72-82922B07, 72-82922B08, 72-82922B09, 72-82922B10, 72-83433G01, 72-84216A01, 72-84216A02.

REMOVABLE CLOCK WINDOWS

These windows are designed for easy removal in order that the clock may be set for the proper time. The 61-82723D01 window was used on the early TA270 and T-1200 series remotes. By cutting out the old window in the "BY" model base stations the new removable window can be used. The later T1370 series and solid state "Consolettes" use the 61B83072G01 window.

MITREK Radio



Control Head

REF. NO.	PART NO.	DESCRIPTION
1	07-80101A01	Bracket, trunnion
2	03-80162A01	Screw, trunnion pivot
3	03-10903A97	Screw, housing rear
4	03-10903A93	Screw, housing front
5	33-80117A01	Name Plate, decal (MONITOR)
6	36-80102A01	Pushbutton
7	42-10128A22	"O" Ring, pushbutton
8	04-139960	Washer, lock housing screws
9	04-139961	Washer, flat housing screws
10	01-80701T15	Housing, bottom
11	04-80149A01	Washer, captive housing screws
12	43-80209A01	Spacer, Light Socket
13	09-83396K03	Light Socket
14	65-3376K01	Light Bulb, sub miniature wedge base
15	42-10082A14	Retainer, Knob
16	36-80107A01	Knob, Volume and Squelch
17	36-80160A01	Knob, frequency
	36-80160A02	Knob, 4 frequency
18	42-10128A23	"O" Ring, Knobs
19	32-80208A01	Gasket, to Isolate Light
20	07-80158A01	Bracket, frequency switch
21	32-80103A01	Gasket, housing
22	61-80119A01	Lens
23	42-10113A31	Retainer Ring, for bezel and lens
24	15-80108A01	Housing, top
25	32-80165A01	Adhesive Strip, for bezel
26	13-80180A01	Bezel, plated multi freq. weatherproof
	13-80180A02	Bezel, plated 1 freq. weatherproof
	13-80114A01	Bezel, unplated multi freq. non-weatherproof
	13-80114A02	Bezel, unplated 1 freq. non-weatherproof
27	33-80116A01	Name Plate, 1 freq.
	33-80116A02	Name Plate, multi freq.
	33-80116A05	Name Plate, 1 freq. busy light
	33-80116A06	Name Plate, multi freq. busy light
28	05-7703	Rivet, strain relief bracket
29	07-80100A01	Bracket, strain relief
30	04-7555	Washer, flat for strain relief bracket
31	07-80159A01	Bracket, P.B. switch
32	40-80127A01	Switch, pushbutton
33	32-80105A01	Gasket, connector
34	09-80120A01	Connector
35	18-80126A01	Potentiometer, rotary squelch
36	40-80111A01	Switch, rotary frequency
37	18-80126A02	Potentiometer, rotary w/switch, off and volume

Miscellaneous Tools and Parts

PART NO.	DESCRIPTION
RPX-4062A	Hardware Kit, assortment of metric screws used in radios
55-893872	Key
RSX-4028A	Tool, spanner nut removable antenna relay
66-84909B01	Tool, removing lock
07-80023A01	Reed Hold Down
75-80173A01	Pad, Compression, PL board
65-86099	Fuse, 7.5 amp 32 volt, 3AG
65-61682	Fuse, 25 amp 32 volt

HSN-4002A Speaker

PART NO.	DESCRIPTION
01-80701T24	Cable, Speaker
07-84568B01	Bracket, Trunnion
13-84151C01	Bezel
15-84981B01	Cover, base
32-84564B01	Gasket
50-84561B02	Speaker, 5 inch P.M.

HMN-4000A Microphone, (Weather Proof)

HMN-40001A Microphone, (Non-Weather Proof)

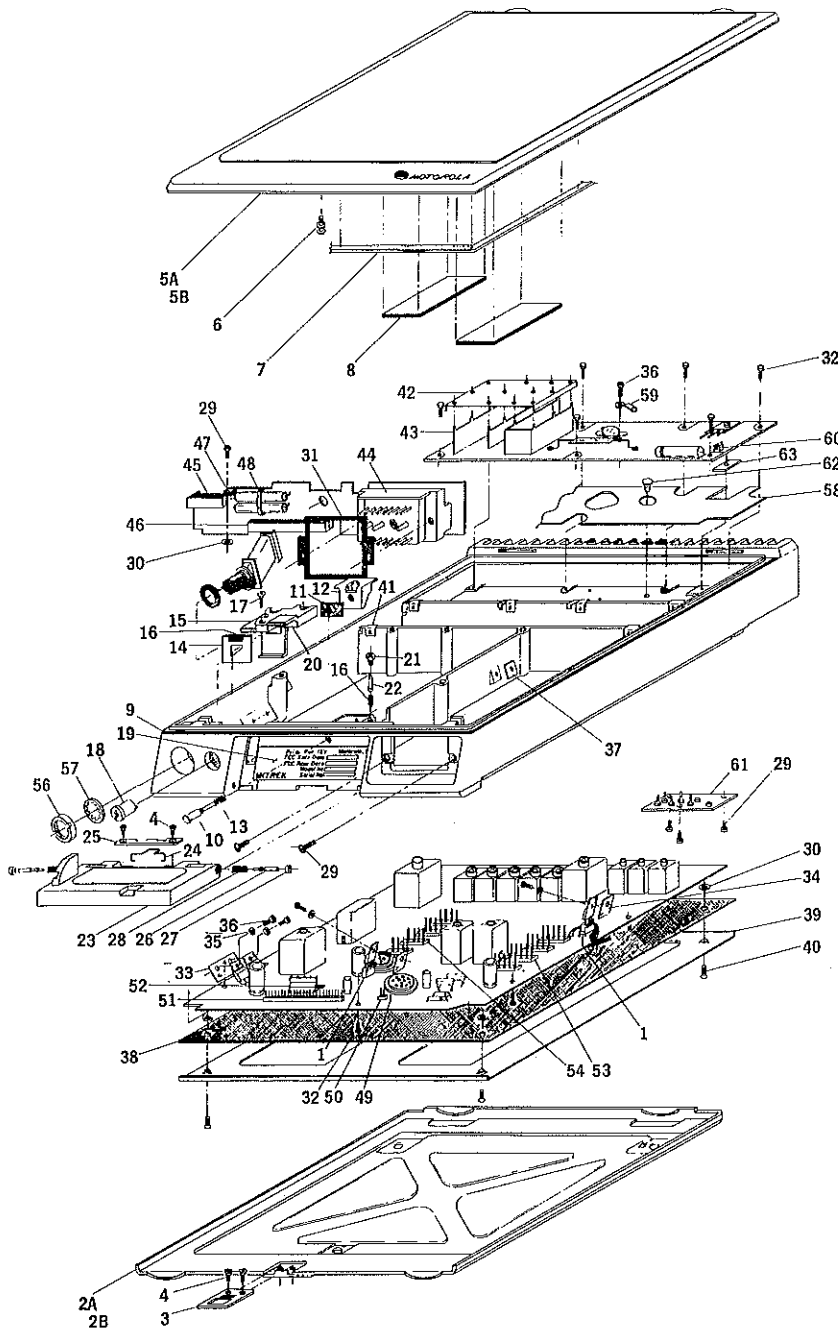
PART NO.	DESCRIPTION
01-80701T27	Housing, rear
01-84135C01	Cable and Connector
15-82701B24	Housing, front (HMN-4000A)
15-82701B27	Housing, front (HMN-4001A)
32-82703B01	Gasket
35-82652K01	Baffle
38-84559B01	Button
13-83174B03	Emblem, (HMN-4000A)
33-82599D01	Name Plate (HMN-4001A)
40-82263G01	Switch, (HMN-4000A)
40-82263G02	Switch, (HMN-4001A)
43-82706B01	Retainer, cartridge
42-82702B02	Slave, switch (HMN-4001)
59-82933C02	Cartridge, dynamic

TEK-5E Modification Kit

PART NO.	DESCRIPTION
RPX-4053A	Field modification kit for TEK-5E for use with MITREK radio.

NON-REFERENCED ITEMS

PART NO.	DESCRIPTION
33-80117A01	Nameplate, decal PB monitor
13-83174B03	Emblem

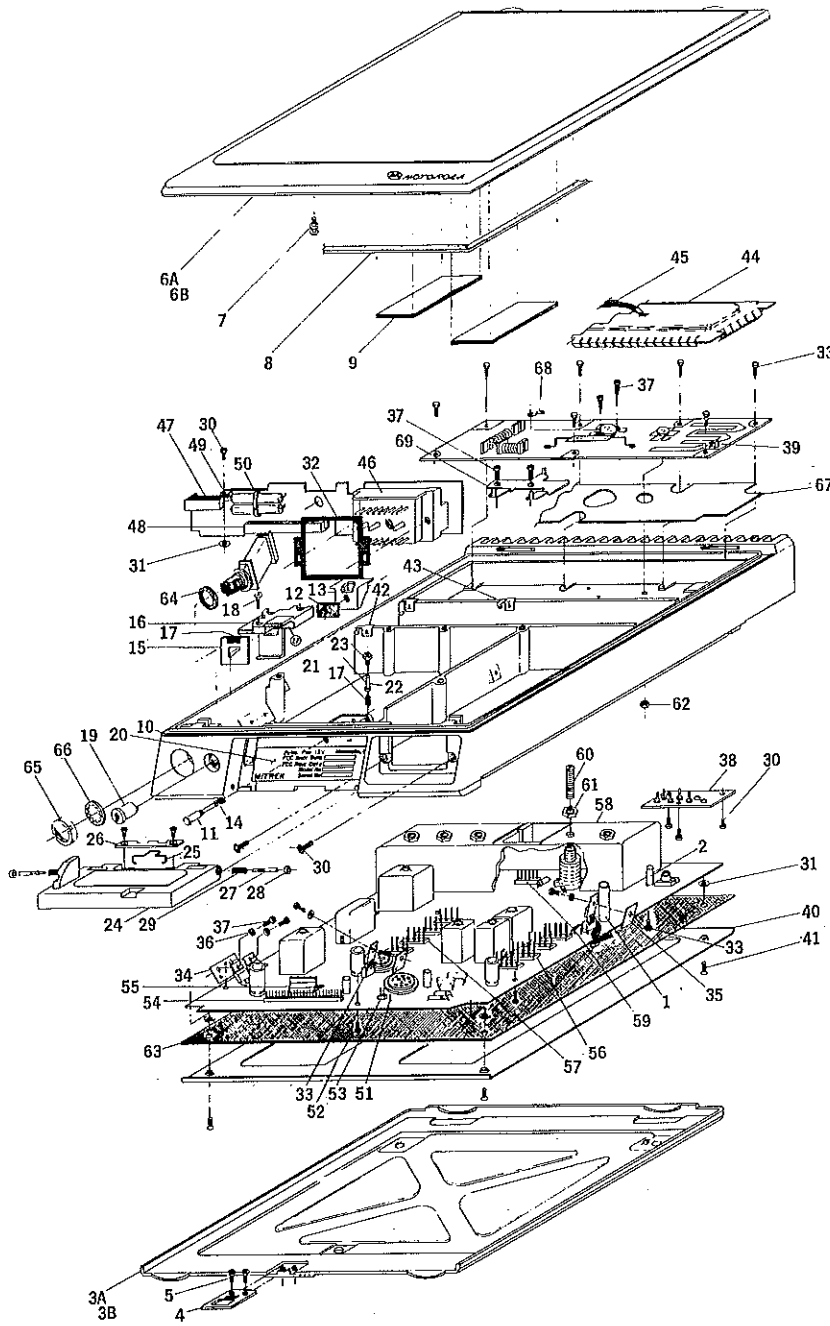


REF. NO.	PART NO.	DESCRIPTION
18	55-84101B01	Lock
19	13-80063A01	Escutcheon
20	32-80081A01	Gasket, lock support
21	43-80150A01	Sleeve, cover release
22	46-80151A01	Stud, cover release
23	55-80002A01	Handle
24	41-80018A01	Spring, torsion
25	64-80019A01	Plate, backup
26	47-80021A01	Pin, pivot
27	04-80125A01	Washer, pivot
28	41-8075A01	Spring (3.05 MM OD), pivot
29	03-10904A02	Screw (3.5 x 6-PH-M)
30	04-80149A01	Washer, captive
31	32-80074A01	Gasket, cable plug
32	03-10936A06	Screw (3.5 x 8-HH-TF)
33	14-80090A01	Insulator Mica, transistor
34	14-84391F01	Insulator Mica, transistor
35	04-84180C01	Washer, shoulder (nylon)
36	03-10905A01	Screw (9.0 x 6-FIL-M) transistor
37	14-83572K01	Insulator Mica, transistor
38	32-80016A01	Gasket, bottom inner cover
39	HLN-4033A	Cover, bottom Inner w/gasket (includes 15-80004A01, cover, and 32-80076A01, gasket)
40	03-10006A19	Screw (3.5 x 13-FH-M), inner cover
41	42-80013A01	Clip, coax (dress)
42	15-80205A01	Cover, rf shield
43	26-80206A01	Shield, rf
44	28-80011A01	Plug, cable (19 contacts)
45	09-80025A02	Connector, molex (9 pin female)
46	09-80025A03	Connector, molex (25 pin female)
47	07-80079A01	Bracket, IC board support
48	42-10217A26	Strap, cable harness
49	29-10271A15	Pin, terminal
50	28-80073A04	Plug, male (2.54 CTRS) 2 post
51	28-80073A03	Plug, male (2.54 CTRS) 25 post
52	28-80097A01	Plug, male (3.96 CTRS) 5 pin w/lock
53	28-80096A02	Plug, male (3.96 CTRS) 5 post
54	28-80096A01	Plug, male (3.96 CTRS) 4 post
55	32-80080A01	Gasket, antenna connector
56	02-80006A01	Nut, spanner, antenna connector
57	04-114522	Washer, lock, antenna connector
58	14-80077A01	Insulator, P.A. compartment
59	07-80078A01	Bracket, thermal device
60	29-80014A01	Clip, coax (terminal)
61	64-80005A01	Plate, feed thru
62	32-80084A01	Gasket, stud device
63	14-80179A01	Insulator, mica

Low Band Radio Assembly

REF. NO.	PART NO.	DESCRIPTION	REF. NO.	PART NO.	DESCRIPTION
1	09-80028A01	Socket, transistor	8	75-80178A01	Pad, compression
2A	HLN-4034A	Bottom cover, assembly includes:	9	15-84678L01	Housing, frame
2B	15-84677L01	Cover, bottom	10	47-80027A01	Pushbutton, latch
3	64-80017A01	Plate latch, bottom cover	11	32-80082A01	Gasket, pushbutton
4	03-10906A05	Screw (3.5 x 6-FH-M) bottom cover latch	12	07-80030A01	Bracket, latch
5A	HHN-4000A	Top cover, assembly. Includes:	13	41-80029A01	Spring, latch
5B	15-84678L01	Cover, top	14	07-80016A01	Bracket, lock slide
6	46-80026A01	Stud Latch, top cover	15	07-80015A01	Support, lock slide
7	32-80075A01	Gasket, top cover	16	41-80022A01	Spring, lock
			17	03-10936B15	Screw (3.5 x 13-FM-TH) holds lock slide

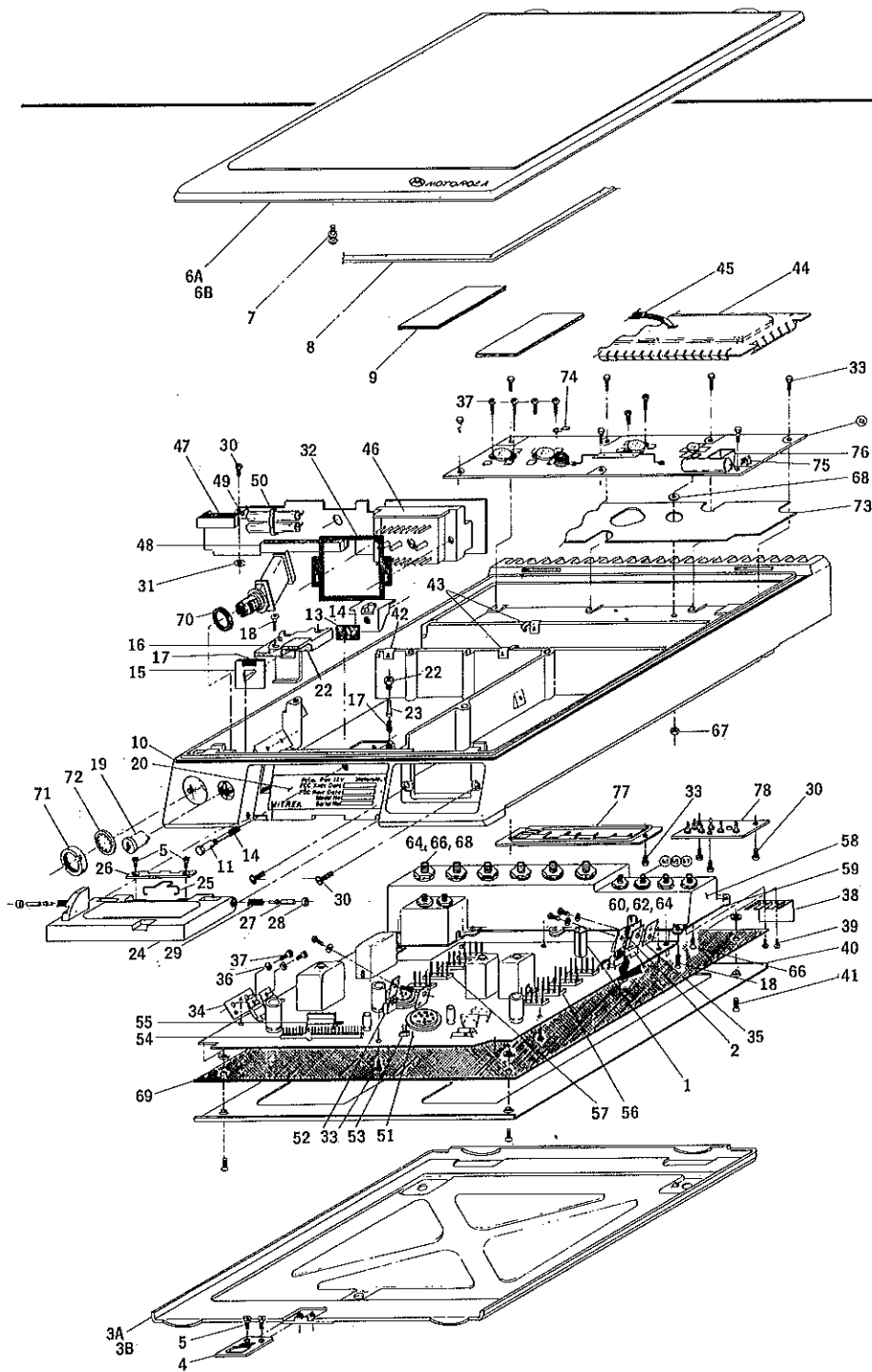
MITREK Radio



REF. NO.	PART NO.	DESCRIPTION
20	13-80063A01	Escutcheon
21	32-80081A01	Gasket, lock support
22	43-80150A01	Sleeve, cover release
23	46-80151A01	Stud, cover release
24	55-80002A01	Handle
25	41-80018A01	Spring, torsion
26	64-80019A01	Plate, back up
27	47-80021A01	Pin, pivot
28	04-80125A01	Washer, pivot
29	41-80175A01	Spring (3.05 MM OD)
30	03-10904A02	Screw (3.5 x 6-PH-M)
31	04-80149A01	Washer, captive
32	32-80074A01	Gasket, cable plug
33	03-10936A06	Screw (3.5 x 8-HH-TF)
34	14-80090A01	Insulator, mica
35	14-84391F01	Insulator, mica
36	04-84180C01	Washer, shoulder nylon
37	03-10905A01	Screw (3.0 x 6-FIL-M)
38	64-80005A01	Plate, feed thru
39	29-80014A01	Clip, coax (terminal)
40	HLN-4033A	Cover bottom inner w/gasket (includes 15-8004A01, cover and 32-80076A01, gasket)
41	03-10906A19	Screw (3.5 x 13-FH-M)
42	42-80013A01	Clip, coax (dress)
43	42-80212A01	Clip, coax
44	26-80211A01	Shield, P.A.
45	55-84300B04	Handle, nylon
46	28-80011A01	Plug, cable (19 contacts)
47	09-80025A02	Connector, molex (9 pin female)
48	09-80025A03	Connector, molex (25 pin female)
49	07-80079A01	Bracket, IC board support
50	42-10217A26	Strap, cable harness
51	29-10271A15	Pin, terminal
52	09-80028A01	Socket, transistor
53	28-80073A04	Plug, male 2 post
54	28-80073A03	Plug, male 25 post
55	28-80097A01	Plug, male 5 pin w/lock
56	28-80096A02	Plug, male (5 post)
57	28-80096A01	Plug, male 4 post
58	15-80008A01	Housing
59	28-80073A01	Plug, male 6 post
60	03-80012A01	Screw, set M5X1
61	02-80045A01	Nut, retainer M5X1
62	02-7003	Nut, 8-32 x 3/8 x 1/8 hex
63	32-80076A01	Gasket, bottom inner cover
64	32-80080A01	Gasket, antenna connector
65	02-80006A01	Nut, spanner
66	04-114522	Washer, lock
67	14-80077A01	Insulator, P.A.
68	07-80078A01	Bracket, thermistor mounting
69	07-80291A01	Bracket, ground

High Band Radio Assembly

REF. NO.	PART NO.	DESCRIPTION	REF. NO.	PART NO.	DESCRIPTION
1	26-84716D01	Heat Sink	9	75-80178A01	Pad, compression
2	42-80259A01	Clip, coax termination	10	15-84676L01	Housing, frame
3A	HLN-4034A	Bottom cover, assembly. Includes:	11	47-80027A01	Push Button
3B	15-84677L01	Cover, bottom	12	32-80082A01	Gasket, push button
4	64-80017A01	Plate Latch	13	07-80030A01	Bracket, latch
5	03-10906A05	Screw (3.5 x 6-FH-M)	14	41-80029A01	Spring, latch
6A	HNN-4000A	Top cover, assembly. Includes:	15	07-80016A01	Bracket, lock slide
6B	15-84678L01	Cover, top	16	07-80015A01	Support, lock slide
7	46-80026A01	Stud, latch	17	41-80022A01	Spring, lock
8	32-80075A01	Gasket, top cover	18	03-10936B15	Screw (3.5 x 13-FH-TH)
			19	55-84101B01	Lock



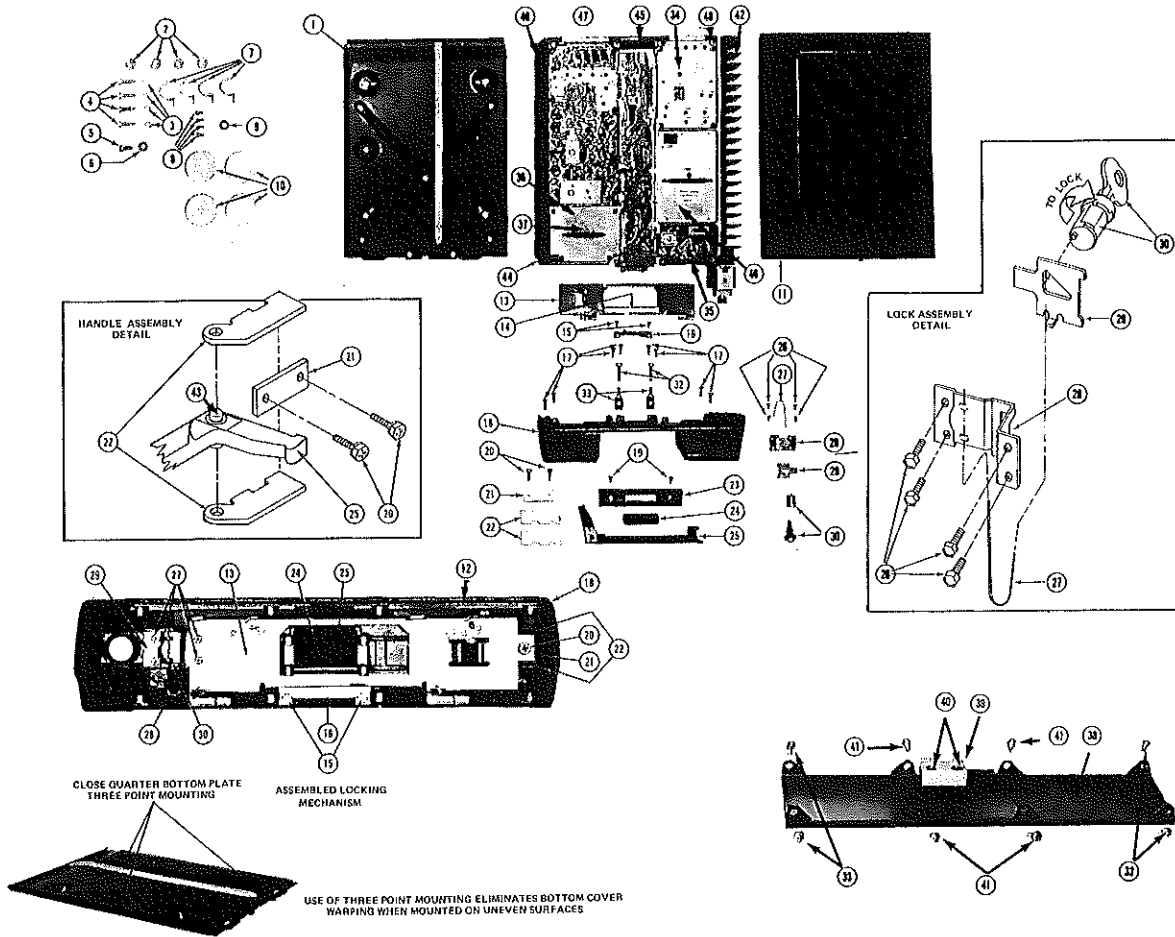
REF. NO.	PART NO.	DESCRIPTION
26	64-80019A01	Plate back up
27	47-80021A01	Pin, pivot
28	04-80125A01	Washer, pivot
29	41-80175A01	Spring (3.05 MM OD)
30	03-10904A02	Screw (3.5 x 6-FH-M)
31	04-80249A01	Washer, captive
32	32-80074A01	Gasket, cable plug
33	03-10936A06	Screw (3.5 x 8-HH-TF)
34	14-80090A01	Insulator, mica
35	14-84391F01	Insulator, mica
36	04-84180C01	Washer, shoulder
37	03-10905A01	Screw (3.05 x 6-FIL-M)
38	07-80091A01	Bracket, preselector coax
39	03-10936C06	Screw (3.5 x 8-FILM-TF)
40	HLN-4033A	Cover, bottom inner w/gasket (includes 15-80004A01, cover and 32-80076A01, gasket)
41	03-10906A19	Screw (3.5 x 13-FH-M)
42	42-80013A01	Clip, coax (dress)
43	42-80212A01	Clip, coax
44	26-80211A01	Shield, PA
45	55-84300B04	Handle, nylon
46	28-80011A01	Plug, cable (19 contacts)
47	09-80025A02	Connector, molex (9 pin female)
48	09-80025A03	Connector, molex (25 pin female)
49	07-80079A01	Bracket, IC
50	42-10217A26	Strap, cable harness
51	29-10271A15	Pin, terminal
52	09-80028A01	Socket, transistor
53	28-80073A04	Plug, male (2.54 CTRS) 2 post
54	28-80073A03	Plug, male (2.54 CTRS) 25 post
55	28-80097A01	Plug, male (3.96 CTRS) 5 pin w/lock
56	28-80096A02	Plug, male (3.96 CTRS) 5 post
57	28-80096A01	Plug, male (3.96 CTRS) 4 post
58	15-80007A01	Housing, filter
59	64-80024A01	Plate, filter housing
60	46-80009A01	Stud, coil M6x1
61	46-80010A01	Stud, coil M8x1.25
62	03-80012A03	Screw, set M6x1
63	03-80012A02	Screw, set M8x1.75
64	02-80045A03	Nut, retainer M6x1.0
65	02-80045A02	Nut, retainer M8x1.25
66	03-10936B06	Screw (3.5 x 8-FH-TF)
67	02-7003	Nut, 8.32 x 3/8 x 1/8 hex
68	04-80083A01	Washer, stud device
69	32-80076A01	Gasket, bottom inner cover
70	32-80080A01	Gasket, antenna connector
71	02-80006A01	Nut, spanner
72	04-114522	Washer, lock
73	14-80077A01	Insulator, PA
74	07-80078A01	Bracket, thermal mount
75	29-80014A01	Clip, coax (terminal)
76	07-80157A01	Support, transistor PA
77	15-80003A01	Housing, filter (harmonic)
78	64-80005A01	Plate, feed thru

UHF Radio Assembly

REF. NO.	PART NO.	DESCRIPTION
1	26-84716D01	Heat Sink
2	26-80093A01	Heat Sink, transistor
3A	HLN-4034A	Bottom cover, assembly. Includes:
3B	15-84677L01	Cover, bottom
4	64-80017A01	Plate, latch
5	03-10906A05	Screw (3.5 x 6-FH-M)
6A	HHN-4000A	Top cover, assembly. Includes:
6B	15-84678L01	Cover, top
7	46-80026A01	Stud, latch
8	32-80075A01	Gasket, top cover
9	75-80178A01	Pad, compression
10	15-84676L01	Housing
11	47-80027A01	Push Button

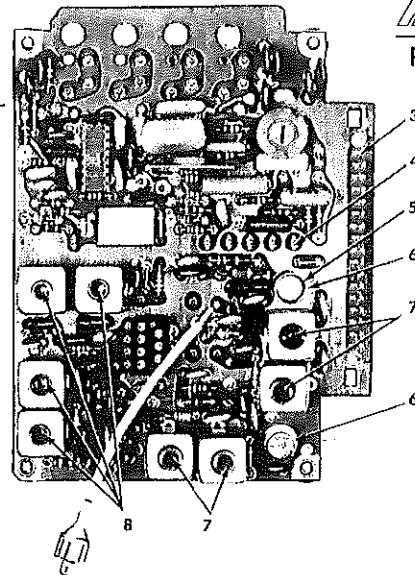
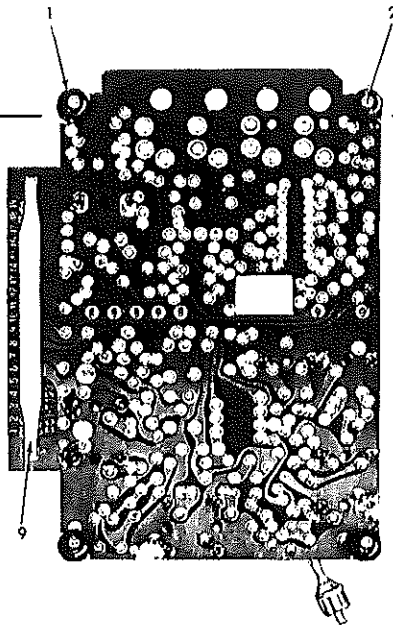
REF. NO.	PART NO.	DESCRIPTION
12	32-80082A01	Gasket, push button
13	07-80030A01	Bracket, latch
14	41-80029A01	Spring, latch
15	07-80016A01	Bracket, lock slide
16	07-80015A01	Support, lock slide
17	41-80022A01	Spring, lock
18	03-10936B15	Screw (3.5 x 13-FH-TH)
19	55-84101B01	Lock
20	13-80063A01	Escutcheon
21	32-80081A01	Gasket, lock support
22	43-80150A01	Sleeve, cover release
23	46-80151A01	Stud, cover release
24	55-80002A01	Handle
25	41-80018A01	Spring, torsion

MICOR Radio



REF. NO.	PART NO.	DESCRIPTION	REF. NO.	PART NO.	DESCRIPTION
1	01-80719B58	Cover, Bottom	34	01-80770B69	Shield, Exciter (High Band)
2	43-893898	Bushing, Spacer		01-80770B68	Shield, Exciter (Low Band)
3	04-119331	Lockwasher; (1/4" Split)		01-80734B46	Shield, Exciter (450 MHz, A Version)
4	03-129278	Screw, tapping; (14-10 x 1" Plain Hex Head)		01-80770B70	Shield, Exciter (450 MHz, B Version)
5	03-125947	Screw, tapping; (14-10 x 3/4" Plain Hex Head)		01-80785B58	Shield, Exciter (800 MHz)
6	04-7688	Lockwasher; (1/4" Internal-External)	35	01-80709B41	Shield, Power Control (High Band)
7	42-19376	Clamp, Cable		01-80707B16	Shield, Power Control (Low Band)
8	03-7467	Screw, tapping; (8-18 x 3/8" Plain Hex Head)		01-80734B45	Shield, Power Control (450 MHz)
9	37-82633B03	Grommet, rubber; (.625 x .500 x .375")	36	55-84300B01	Handle, Large (3.52")
10	04-122238	Washer, metallic; (2.125 x .257 x .095")	37	01-80709B39	Shield, Receiver (1 to 4 Freq. High Band) Standard
11	15-84123D01	Cover, top		01-80756B17	Shield, Receiver (1 to 8 Freq. High Band) Wide Space
12	01-80707D58	Front Panel (Complete Assembly)		01-80707B14	Shield, Receiver (Low Band)
13	64-84122D01	Slide Plate, Cover Locking		01-80734B44	Shield, Receiver (450 MHz)
14	64-84965C01	Detent Channel		01-80785B60	Shield, Receiver (800 MHz)
15	03-134186	Screw, tapping; (6-32 x 5/8" "Phillips" Hex Head) (ext. Lockwasher)	38	64-84100B01	Plate, Rear
16	01-80722B40	Detent Bracket and Spring Assembly	39	46-84167B01	Block, "Drawer" Guide Rear
17	03-131632	Screw, tapping; (8-32 x 5/8" "Phillips" Binder Head)	40	03-124074	Screw, machine; (8-32 x 1/2" "Phillips" Binder Head; 2 req'd.)
18	64-84087B01	Front Panel	41	03-138961	Screw, tapping; (8-32 x 3/8" "Phillips" Binder Head; 10 req'd.)
19	03-138967	Screw, tapping; (8-32 x 3/8" "Phillips" Binder Head)	42	01-80709B46	Heat Sink and Chassis, Transmitter High Band (Right Hand)
20	03-136909	Screw, tapping; (10-32 x 1/8" Pln Hex Lck)		01-80707B21	Heat Sink and Chassis, Transmitter Low Band (Right Hand)
21	55-84301B01	Jam Plant		01-80734B36	Heat Sink and Chassis, Transmitter 450 MHz (Right Hand)
22	64-84289B01	Pivot Plate, Handle		01-80785B35	Heat Sink and Chassis, Transmitter 800 MHz (Right Hand)
23	43-84273B01	Hand Grip, Handle	43	22-84291B01	Pin, Pivot
24	75-84424B01	Cushion, Handle Grip	44	01-80707B17	Shield, Audio and Squelch (All Models)
25	55-84667B01	Handle	45	01-80793B14	Shield, Power Amplifier (45 watt)
26	03-134212	Screw, tapping; (4-40 x 3/8" "Phillips" Hex Head) (ext. Lockwasher)		01-80792B14	Shield, Power Amplifier (60 watt)
27	41-84246D01	Spring, Locking Bar Tensioning		01-80792B13	Shield, Power Amplifier (90 and 100 watt)
28	42-84244D01	Retainer, Locking Bar Guide		01-80793B44	Shield, Power Amplifier (Low Band)
29	45-84245D01	Locking Bar		26-84496E01	Shield, Power Amplifier (450 MHz)
30	55-84101B01	Cylinder Assembly, Key-Operated: Incl. Two Keys (Part No. 55-89872: one key)		26-83258L01	Shield, Power Amplifier (800 MHz)
31	03-138006	Screw, tapping; (8-32 x 1 1/16" "Phillips" Fillister)	46	55-84300B02	Handle, Small (2.12")
32	46-84294B01	Block, Wedge	47	01-80738B21	Shield, Private Line (450 MHz and 800 MHz)
33	03-136907	Screw, tapping; (8-32 x 5/8" "Phillips" Binder Head)	48	26-84497E01	Shield, Low Level Amplifier (450 MHz)
			49	01-80756B18	Receiver Chassis, High Band (Left Hand)
				01-80707B08	Receiver Chassis, Low Band (Left Hand)
				01-80734B35	Receiver Chassis, 450 MHz (Left Hand)
				01-80785B59	Receiver Chassis, 800 MHz (Left Hand)

High Band Exciter



450 MHz Exciter

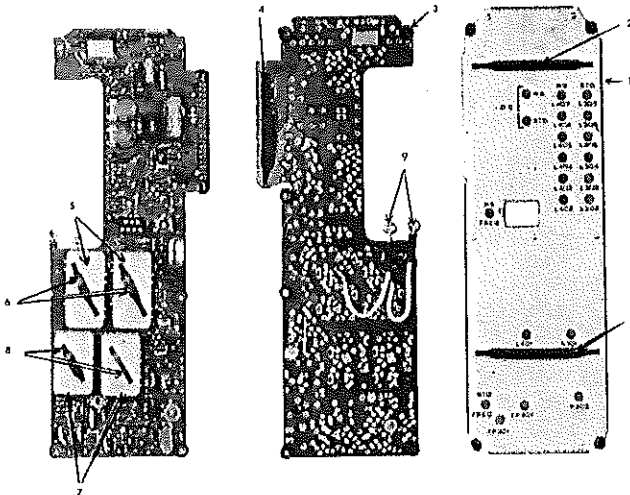
TLE-8420A Series Exciter (Standard)
 TLE-8430A Series Exciter (Wide-Spaced)
 TLE-8040A Series Exciter (Standard)
 TLE-8050A Series Exciter (Wide-Spaced)

High Band Exciter

REF. NO.	PART NO.	DESCRIPTION
1	42-84284B01	Retainer, Screw (nylon)
2	03-138162	Screw, Lock (No. 4 x 3/8")
3	29-84028H01	Terminal, Pin (male, 19 used)
4	29-84028H02	Terminal, Pin (male, 7 used)
5	26-83379H01	Heat Sink
6	14-861196	Insulator, Transistor
7	26-84598A01	Shield, Coil
8	26-84598A02	Shield, Coil
9	55-84300B01	Handle

450 MHz Exciter

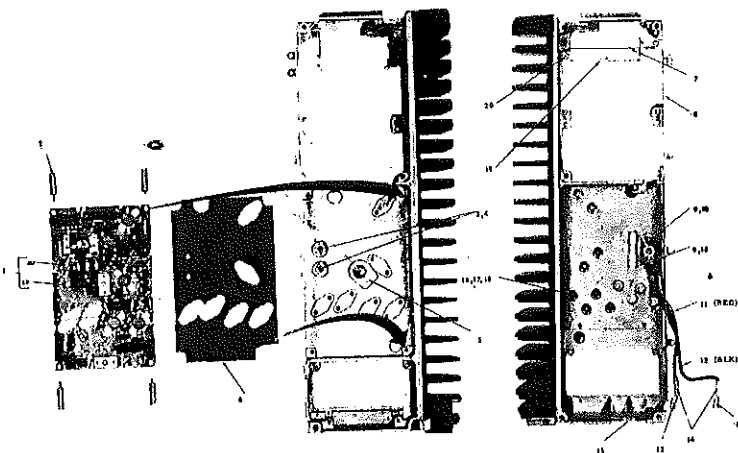
REF. NO.	PART NO.	DESCRIPTION
1	01-80734B46	Shield, Exciter (TLN-4931A, TLN-4932A, TLN-5096A, TLN-5097A)
	01-80770B70	Shield, Exciter (TLN-4931B, TLN-4932B, TLN-5096A, TLN-5097B)
2	42-84300B01	Handle, Exciter Shield (2 req'd)
3	42-84284B01	Retainer (7 req'd)
4	55-84300B01	Handle, Exciter Board
5	26-84809E01	Shield Can, Amplifier
6	55-84300B03	Handle, Amplifier Shield Can
7	26-84808E01	Shield Can, Mixer
8	55-84973E01	Handle, Mixer Shield Can
9	01-80736B85	Coax, Cable and Phono Plug (4")



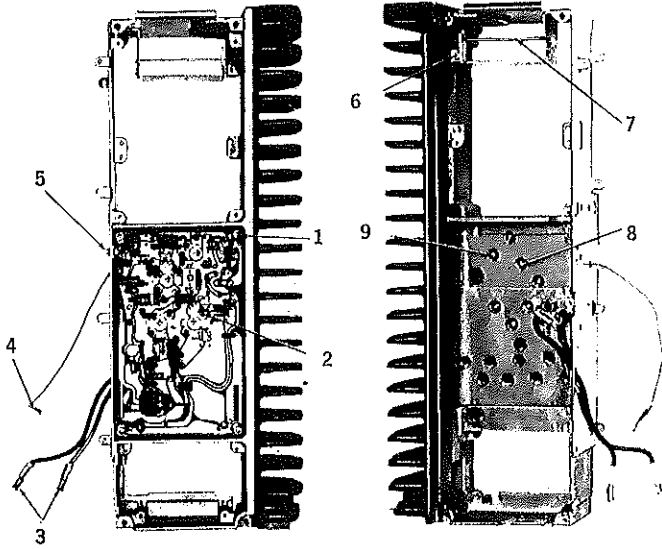
Low Band Power Amplifier

REF. NO.	PART NO.	DESCRIPTION
1	29-84532B01	Lug, Soldering; (special type, 2 req'd)
2	43-84219C01	Spacer and Screw
3	02-115968	Nut, Machine (3/4-28 x 3/8", hex)
4	04-7670	Lockwasher; (1/4" internal)
5	03-135506	Lockscrew, Tapping (6-32 x 1/4" "Phillips" hex head)
6	14-84225B01	Insulator, Circuit Board Mounting
7	41-84889G01	Spring, Channel Element Retaining
8	01-80707B21	Chassis, (heat sink assembly)
9	04-801846	Washer, Insulating (used with "feed-thru" capacitor)
10	05-82050H05	Eyelet, Soldering (used with "feed-thru" capacitor)
11	30-10310A15	Cable, Power (single-conductor; No 12 ga; coded red; 7" length req'd)
12	30-10310A09	Cable, Power (single-conductor; No 12 ga; coded black; 8" length req'd)
13	09-84282B01	Terminal, wire (female)
14	37-61348	Sleeve, Rubber
15	55-84292B01	Striker Plate, Security Lock (p/o heat sink assembly)
16	03-136910	Screw, machine; (4-40 x 1/2" "Phillips" fillister head)
17	02-84586C01	Nut, machine; (4-40 x 1/4" square)
18	42-10438A01	Retainer (square nut)
19	07-84221B01	Bracket (channel element retaining)
20	03-134212	Lockscrew, Tapping (4-40 x 3/8" "Phillips" hex head)

Low Band Power Amplifier



MICOR Radio



Power Amplifier High Band

High Band

REF. NO.	PART NO.	DESCRIPTION
1	43-84219C01	Spacer & Screw Assembly
2	03-136910	Screw, Machine (No. 4-40 x 1/2")
3	09-84282B01	Connector, Receptacle; (female)
4	29-84532B01	Lug, Special
5	04-84152B01	Washer, Shoulder
6	03-134212	Lockscrew; (No. 4 x 5/16")
7	41-84226B01	Spring, Retaining
8	02-136912	Nut, Square (No. 4-40 x 1/4")
9	42-10438H01	Retainer, Square Nut

Non-Referenced Items

PART NO.	DESCRIPTION
14-84290B01	Insulator, PA Board (high power)
14-84020C01	Insulator, PA Board (medium power)
14-84640B01	Insulator, PA Board (low power)

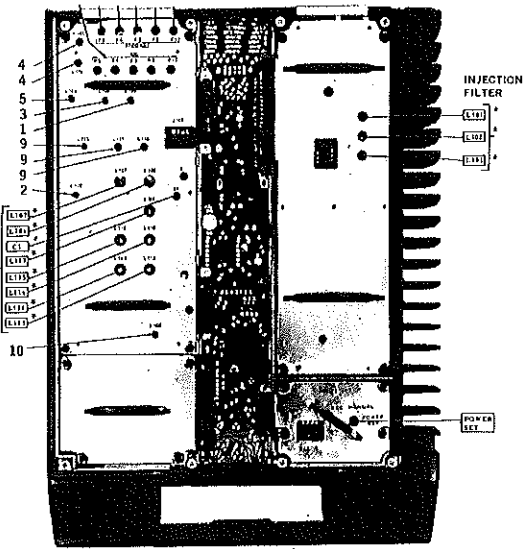
450 MHz Power Amplifier

PART NO.	DESCRIPTION
01-80734B38	Cable, RF; (coaxial; 4" input)
30-83693F01	Coax, Solid (1/2")
30-83694F01	Coax, Solid (2.8")
01-80734B40	Cable, RF; (coaxial; 7" output)
42-84470E01	Microstrip Holder/Insulator
42-84473E02	Ground Strap; (.385" wide)
42-84473E03	Ground Strap; (.250" wide)
76-84069B01	Ferrite Bead
01-80734B37	Buss Bar
14-84430G01	Insulator, (mylar)
43-84804E01	Spacer

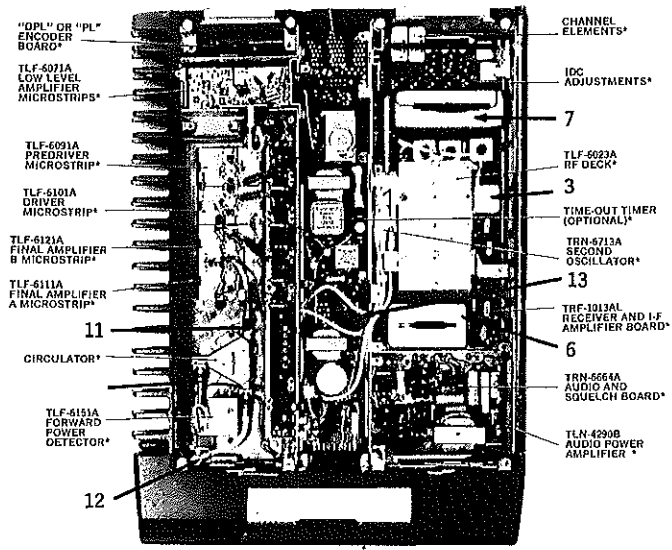
800 MHz

REF. NO.	PART NO.	DESCRIPTION
1	26-84250B05	Shield, Coil (L105)
2	26-84250B08	Shield, Coil (L109)
3	26-84250B09	Shield, Coil (L104)
4	26-84250B14	Shield, Coil (L101, L102)
5	26-84250B15	Shield, Coil (L103)
6	26-84253B01	Shield, Coil (discriminator component side)
7	26-84792K01	Shield, Coil (injection)
8	26-84614G02	Shield, Coil
9	26-84248B04	Shield, Coil
10	26-83838E01	Shield, (discriminator)
11	01-80789B76	Coaxial Cable
12	01-80789B75	Coaxial Cable (circulator to antenna switch)
13	01-80734B58	Coax, Exciter

CHANNEL ELEMENTS*

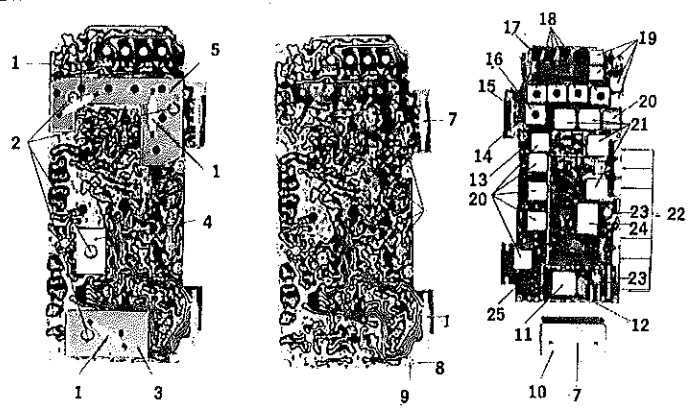


TLN-6930D CONTROL (INTERFACE) BOARD* *For reference only



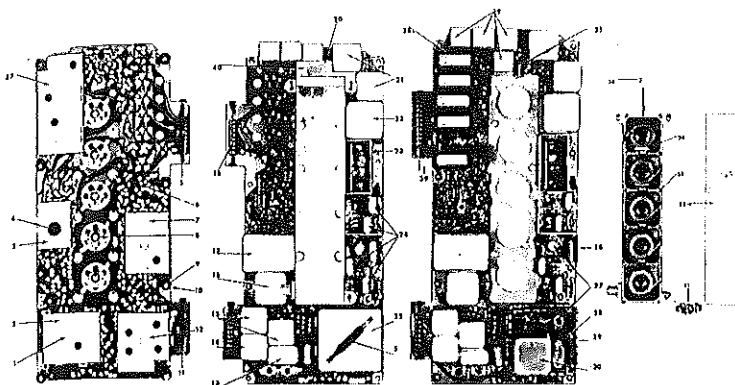
800 MHz Mobile

*For reference only



"Extender" Receiver RF & IF Low Band Board

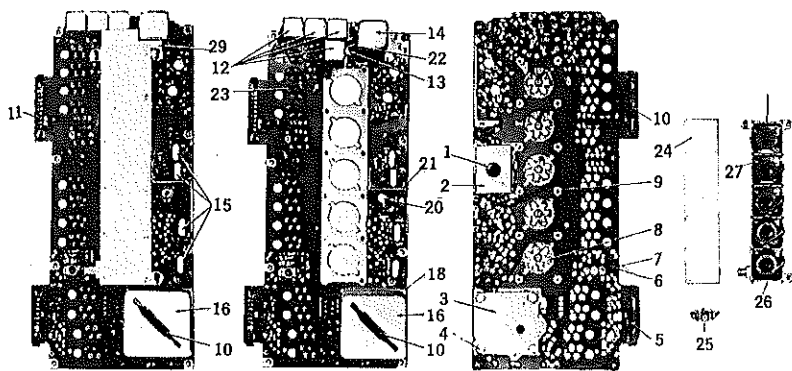
REF. NO.	PART NO.	DESCRIPTION
1	55-84300B03	Handle
2	03-134212	Lockscrew, tapping (No. 4-40 x 5/16" "Phillips" hex head)
3	26-84242B01	Shield
4	26-84244B01	Shield
5	26-84689B01	Shield
6	05-84220B01	Grommet (nylon)
7	55-84300B02	Handle
8	42-84284B01	Retainer, Screw (8 req'd)
9	03-136905	Lockscrew, tapping; (No. 4-40 x 5/16" "Phillips" round head) (8 req'd)
10	26-84263B01	Shield
11	26-84250B04	Can, square (staked)
12	26-84254B01	Spring, retainer
13	07-84264B01	Bracket, lampholder
14	29-10434A29	Receptacle, (female) (22 req'd)
15	29-84028H01	Terminal, (male)
16	26-84248B01	Can, square (staked)
17	29-855943	Terminal, pin (male)
18	26-84248B02	Can, square (staked)
19	26-84250B03	Can, square (staked)
20	26-84250B01	Can, square (staked)
21	26-84250B02	Can, square (staked)
22	14-84583B01	Insulator (crystal)
23	04-49854	Washer, spacer
24	26-84243B01	Can, rectangular (staked)
25	26-84245B01	Shield



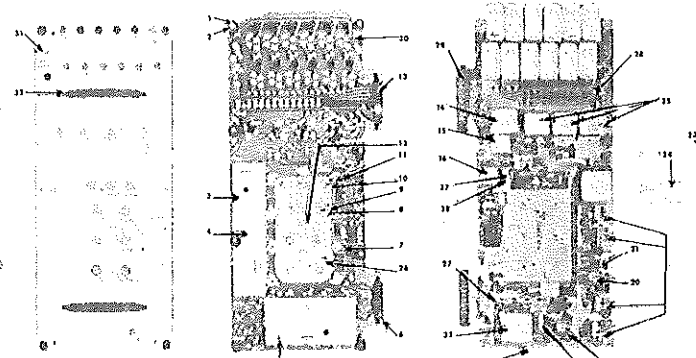
"Extender Receiver" RF & IF High Band Board

REF. NO.	PART NO.	DESCRIPTION
1	03-136906	Screw, tapping (No. 4 x 1/2" "Phillips" hex head) (5 req'd)
2	26-84397C01	Shield, (discriminator)
3	26-84395C01	Shield (I-F)
4	05-84644B01	Grommet, rubber
5	55-84300B02	Handle (2 req'd)
6	03-135034	Screw, tapping w/captivated washer (No. 4 x 5/16" "Phillips" fillister head) (10 req'd)
7	26-84393C01	Shield (3rd RF amplifier)
8	41-84410B01	Spring, torque (5 req'd)
9	03-136905	Screw, tapping w/captivated washer (No. 4 x 5/16" "Phillips" round head) (9 req'd)
10	42-84284B01	Retainer, screw (9 req'd)
11	55-84300B03	Handle

REF. NO.	PART NO.	DESCRIPTION
12	26-84392C01	Shield, (1st RF amplifier)
13	26-84392C02	Shield, (RF)
14	26-84400C01	Shield, (RF)
15	26-84250B09	Shield (RF)
16	26-84250B08	Shield (R-F)
17	26-84394C01	Shield (R-F)
18	29-84028H01	Contact, (male) (16 req'd)
19	26-84250B05	Shield (RF) (4 req'd)
20	39-10184A24	Contact, (female)
21	26-84250B06	Shield (I-F)
22	26-84250B10	Shield (I-F)
23	01-80719B76	Shield, barrier
24	14-84540B01	Insulator (crystal) (4 req'd)
25	26-84585C01	Shield, (discriminator cover)
26	26-84398C01	Shield, barrier
27	04-49854	Washer, spacer (2 req'd)
28	14-84583B01	Insulator (crystal)
29	26-84415B01	Shield, spring
30	26-84250B08	Shield, (discriminator)
31	03-134169	Screw, tapping (No. 4 x 1/4" "Phillips" hex head) (12 req'd)
32	15-84408B01	Cover, RF deck
33	15-84407B01	Housing, RF deck
34	39-10184A24	Terminal Pin, (female)
35	39-10184A30	Terminal Pin, (male)
36	03-136926	Lockscrew (No. 4-40 x 5/16") (10 req'd)
37	26-84322D01	Shield (I-F)
38	29-855943	Contact, (male) (20 req'd)
39	29-84028H01	Contact (male) (16 req'd)
40	26-84456D01	Shield



Highband Receiver RF & IF Board



450 MHz Receiver RF & IF Board

Highband Receiver RF and IF Board

REF. NO.	PART NO.	DESCRIPTION
1	05-812634	Grommet, rubber
2	26-84642B01	Shield, (I-F)
3	26-84413B01	Shield (discriminator)
4	03-125913	Screw, tapping (6-18 x 1/2") (4 req'd)
5	55-84300B02	Handle (long) (2 req'd)
6	42-84284B01	Retainer, screw (9 req'd)
7	03-138162	Lockscrew (No. 4 x 5/16") (9 req'd)
8	41-84410B01	Spring, torque (5 req'd)
9	03-134184	Lockscrew (No. 4 x 5/16") (12 req'd)
10	55-84300B03	Handle (short)
11	29-84028H01	Contact, male (16 req'd)
12	26-84250B05	Shield (4 req'd)
13	39-10184A24	Contact, female
14	26-84250B06	Shield
15	14-84540B01	Insulator (crystal) (4 req'd)
16	26-84414B01	Shield, bottom
17	26-84415B01	Shield, spring
18	14-84583B01	Insulator (crystal)
19	04-49854	Washer, spacer (2 req'd) (IC MTG)
20	26-84643B01	Shield, barrier
21	39-10184A10	Contact (16 req'd)
22	29-855943	Contact, male
23	15-84408B01	Cover, RF Deck
24	03-134169	Lockscrew (No. 4 x 1/4") (12 req'd)
25	15-84407B01	Housing, RF Deck
26	03-136926	Lockscrew (4-40 x 5/16") (10 req'd)
27	05-84220B01	Grommet (nylon) (4 req'd)
28	26-84456D01	Shield, preselector output lead
29	03-136443	Spring, torque; (tuning screw)

450 MHz Receiver RF and IF Board

REF. NO.	PART NO.	DESCRIPTION
1	42-84284B01	Retainer, screw (8 req'd)
2	03-138162	Lockscrew, tapping (No. 4-40 x 3/8" "Phillips" round head) (8 req'd)
3	26-84641E01	Shield, bottom (I-F)
4	03-134212	Lockscrew, machine (No. 4-40 x 5/16" "Phillips" hex head) (5 req'd)
5	26-84642E01	Shield, bottom (discriminator)
6	55-84300B03	Handle

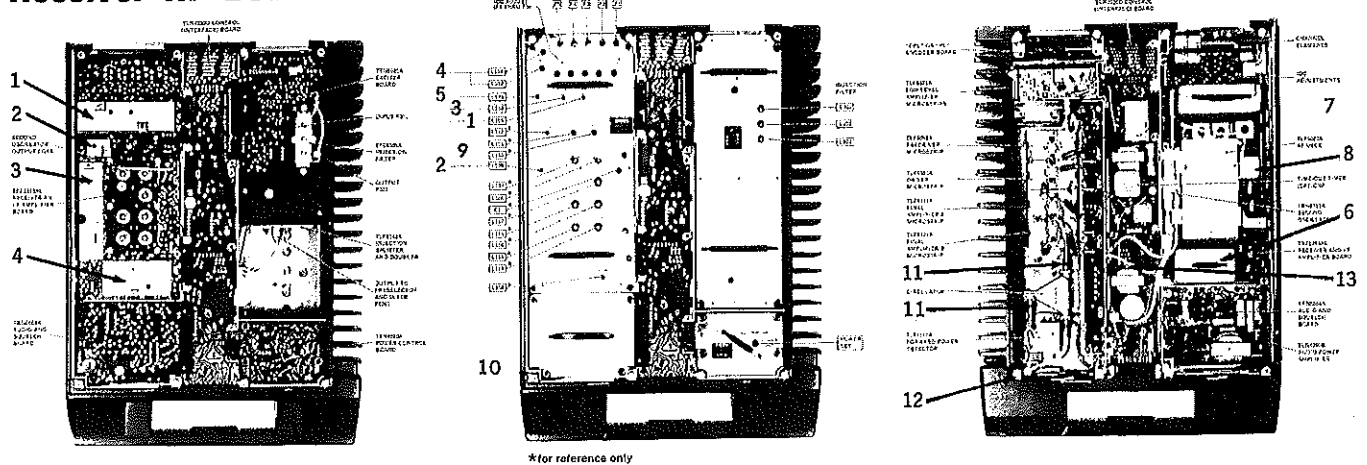
REF. NO.	PART NO.	DESCRIPTION
7	03-138891	Lockscrew, tapping (No. 6-32 x 7/16" "Phillips" hex head) (9 req'd)
8	03-138812	Screw, tuning (No. 10-32 x 7/16" slotted) (6 req'd)
9	02-84773E03	Nut, tension (6 req'd)
10	03-138841	Screw, tuning (No. 8-32 x 5/16" slotted, silver plated) (3 req'd)
11	02-84773E02	Nut, tension (3 req'd)
12	03-136138	Lockscrew, tapping (No. 6-32 x 3/8" "Phillips" hex head) (2 req'd)
13	55-84300B02	Handle (2 req'd)
14	26-84250B01	Can, square (staked)
15	26-84250B03	Can, square (staked)
16	26-84614G01	Can, square (slotted staked)
17	26-84253B01	Shield (discriminator)
18	26-84861E01	Shield, barrier
19	14-84540B01	Insulator, crystal (4 req'd)
20	04-49854	Washer, spacer
21	26-84639E01	Shield, barrier
22	26-84250B13	Can, square (4 lug staked)
23	03-400138	Screw machine (No. 4-40 x 5/16" slotted binderhead) (2 req'd)
24	15-84446E01	Cover, mixer
25	26-84250B12	Can, square (staked) (3 req'd)
26	64-84445E01	Cover, RF deck
27	29-10134A29	Receptacle (female) (13 req'd)
28	29-84028H02	Terminal, (male) (12 req'd)
29	29-84028H01	Terminal, (male) (16 req'd)
30	29-855943	Terminal, pin (plated) (48 req'd)
31	01-80734B44	Shield, receiver (RF & I-F board)
32	55-84300B01	Handle (2 req'd)
33	26-84250B08	Can, square (slotted, staked)
34	04-49854	Washer, spacer
35	14-84583B01	Insulator, crystal
36	26-84254B01	Spring, retainer
37	43-84855E01	Spacer, threaded (2 req'd)
38	04-9761	Lockwasher, (#4 internal star) (2 req'd)

Non-Referenced Items

PART NO.	DESCRIPTION	PART NO.	DESCRIPTION
41-84890G01	Hold Down Clips	41-84890G02	Hold Down Clips



Receiver RF Board

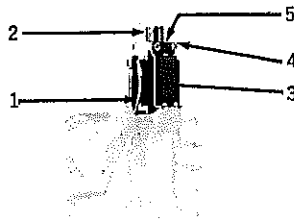


*for reference only

REF. NO.	PART NUMBER	DESCRIPTION
1	26-84809K01	Shield, Injection
2	26-84615K01	Shield, 1st IF
3	26-84641E01	Shield, 2nd IF
4	26-84642E01	

REF. NO.	PART NUMBER	DESCRIPTION
1	26-84250B05	Shield, Coil L105
2	26-84250B08	Shield, Coil L109
3	26-84250B09	Shield, Coil L104
4	26-84250B14	Shield, Coil L102
5	26-84250B15	Shield, Coil L103
6	26-84253B01	Shield, Coil (discriminator component side)
7	26-84792K01	Shield, Coil (injection)
8	26-84614G02	Shield, Coil
9	26-84248B04	Shield, Coil
10	26-83838E01	Shield (discriminator)
11	01-80789B75	Coaxial Cable
12	01-80789B76	Coaxial Cable (circulator to antenna switch)
13	01-80734B58	Coax, Exciter

Antenna Switch TLN-4295A

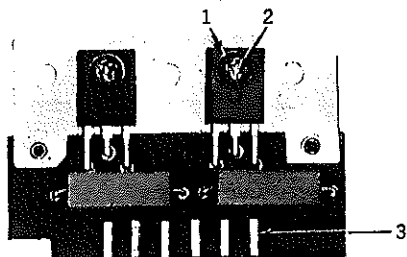


REF. NO.	PART NUMBER	DESCRIPTION
1	15-84271F01	Cover, Relay
2	01-84274F01	Relay
3	07-84230B01	Bracket, Mounting
4	03-115636	Screw, Machine: 6-32 x 1" (2 req'd)
5	02-132616	Locknut, Hex: 6-32 x 1/4" (2 req'd)

Non-Referenced Items

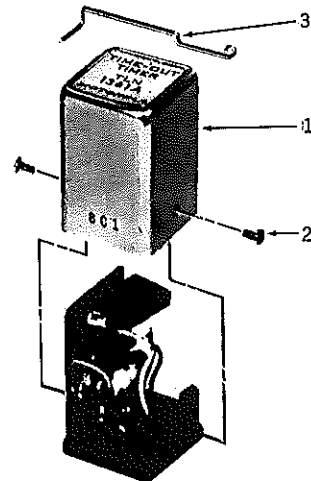
PART NUMBER	DESCRIPTION
24-84103B01	Coil, Relay
40-84200B01	Reed Switch
40-84200B02	Reed Switch
42-84229B01	Spring, Clip
59-84162B01	Magnet
01-80709B38	Cable, Coaxial Receiver
01-80709B70	Cable, Coaxial Transmitter

TLN-4290B Audio Power Amplifier



REF. NO.	PART NUMBER	DESCRIPTION
1	04-84265B01	Washer, Compression
2	03-129498	Screw, Machine: 6-32 x 3/8"
3	09-83011H01	Pin, Female

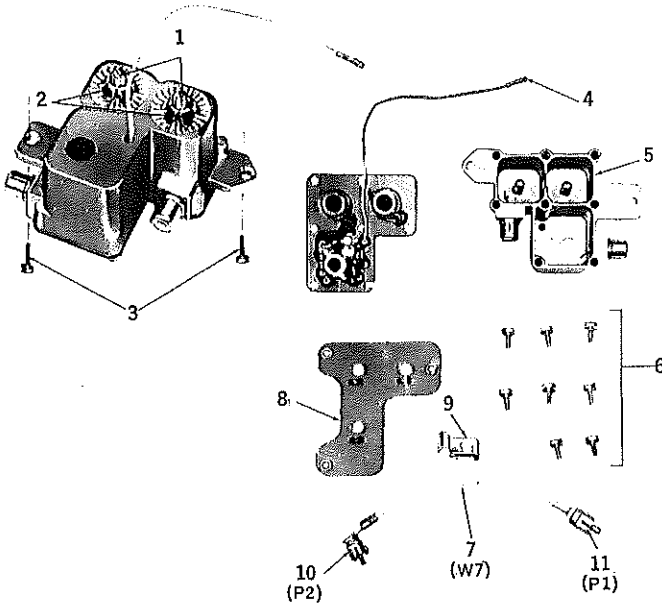
TLN-1361A Time Out Timer



REF. NO.	PART NUMBER	DESCRIPTION
1	26-82136H05	Shield, Cover: does not include: 75-82200H01 pad, foam rubber 37-10127A02, tubing, insulating: 1.3" diameter; (1-1/4" length required), diameter; (1 1/4" length required), 33-83224D02 nameplate
2	03-2902	Screw, Machine: 2-56 x 3/16" slotted binder head: (2 required)
3	41-84297B01	Spring, Retaining

TLD-8421B RF Preamplifier (132-150.8 MHz)

TLD-8422B RF Preamplifier (150.8-174 MHz)



REF. NO.	PART NUMBER	DESCRIPTION
1	03-136923	Set Screw, No. 10-32 x 1"; plotted head; (2 req'd)
2	02-83677G01	Lock Nut; (2 req'd)
3	03-134268	Lockscrew, tapping; No. 4—40 x 3/8" "Phillips" hex head; (2 req'd)
4	39-10184A24	Connector, receptacle: female
5	15-84416B01	Housing, preamplifier
6	03-136926	Lockscrew; No. 4-40 x 3/8" "Phillips" hex head; (8 req'd)
7*	01-80760B68	Cable assembly
8*	14-84192C01	Insulator, mylar
9*	42-84816B01	Clip, cable
10*	28-82365D03	Connector, plug; right angle
11*	28-82331G01	Connector, plug; phono type

*Used in Mobile Radio applications only

Receiver Boards

Low Band 25-50 MHz	High Band 132-174 MHz
TLB-6851B (25-30 MHz)	TLD-8271B (132-142 MHz)
TLB-6852B (30-36 MHz)	TLD-8272B (142-150.8 MHz)
TLB-6853B (36-42 MHz)	TLD-8273B (150.8-162 MHz)
TLB-6854B (42-50 MHz)	TLD-8274B (162-174 MHz)
TLB-6861B* (25-30 MHz)	TLD-8513B* (150.8-162 MHz)
TLB-6862B* (30-36 MHz)	TLD-8514B* (162-172 MHz)
TLB-6863B* (36-42 MHz)	*with "extender"
TLB-6864B* (42-50 MHz)	UHF
*with "extender"	TRE-1201BA (406-420 MHz)
800 MHz	TRE-1203BA (450-470 MHz)
TRF-1013AL (851-866 MHz)	TRE-1204BA (470-494 MHz)
	TRE-1205BA (494-512 MHz)

Transmitter Power Control Boards

Low Band	High Band	800 MHz
TLB-6841A (25-30 MHz)	TLD-8620A	TTN-6020A
TLB-6842A (30-36 MHz)		
TLB-6843A (36-42 MHz)	UHF Band	
TLB-6844A (42-50 MHz)	TLN-4926A	

Transmitter Exciter Boards

VERSION 1: Standard "Private Line" only
 VERSION 2: Compatible with Digital "Private Line"
 All boards supplied less reeds, code plugs or channel elements.

Low Band 25-50 MHz		
Version 1	Version 2	Frequency
TLB-6831A	TLB-8161A	25-30 MHz
TLB-6832A	TLB-8162A	30-36 MHz
TLB-6833A	TLB-8163A	36-42 MHz
TLB-6834A	TLB-8164A	42-50 MHz
High Band 132-174 MHz		
Version 1	Version 2	Frequency
TLD-8261B	TLD-5131A	132-150.8 MHz
TLD-8262B	TLD-5132A	150.8-174 MHz
TLD-4081A	TLD-5371A	132-150.8 MHz
TLD-4082A	TLD-5372A	150.8-174 MHz
UHF		
Version 1	Version 2	Frequency
TLE-8043A	TLE-8423A	450-470 MHz (std)
TLE-8044A	TLE-8424A	470-512 MHz (std)
TLE-8045A	TLE-8443A	450-470 MHz (std)
TLE-8053A	TLE-8433A	450-470 MHz (w/s)
TLE-8054A	TLE-8434A	470-512 MHz (w/s)
800 MHz		
TTN-6021A (806-821 MHz)		

Compatibility Chart

COMMON BOARDS		LOW BAND	HIGH BAND	UHF	800 MHz	EXC VER 1	EXC VER 2
MOTOROLA KIT	DESCRIPTION						
TLN-4289B	Audio & Squelch	X	X		X		
TRN-6540A	Audio & Squelch	X	X				X
TLN-4310B	Audio & Squelch		X				
TRN-6664A	Audio & Squelch				X		
TLN-4290B	Receiver Audio Amp	X	X	X	X		
TLN-4293B	"Private Line" Encoder	X	X				X
TLN-5731A	"Private Line" Encoder	X	X				X
TLN-4928A	"Private Line" Encoder			X		X	
TLN-5732A	"Private Line" Encoder				X		
TLN-4294B	"Private Line" Decoder	X	X	X	X		
TLN-5723A	"Digital Private Line" Encoder	X					X
TLN-5724A	"Digital Private Line" Encoder		X				X
TLN-5726A	"Digital Private Line" Encoder			X	X		X
TLN-5729A	"Digital Private Line" Encoder	X	X	X	X		X
TLN-4532A	Multi "PL" Converter Board	X	X				X
TLN-5156A	Multi "PL" Converter Board			X			X
TLN-5733A	Multi "PL" Converter Board	X	X				X
TLN-5734A	Multi "PL" Converter Board			X	X		X
TLN-1395A	Multi "PL" Encoder—4 Tone	X	X				X
TLN-1396A	Multi "PL" Encoder—8 Tone	X	X				X
TLN-1547A	Multi "PL" Encoder—4 Tone			X			X
TLN-1548A	Multi "PL" Encoder—8 Tone			X			X
TLN-1837A	Multi "PL" Encoder—4 Tone	X	X				X
TLN-1838A	Multi "PL" Encoder—8 Tone	X	X				X
TLN-1839A	Multi "PL" Encoder—4 Tone			X	X		X
TLN-1840A	Multi "PL" Encoder—8 Tone			X	X		X



MICOR Radio Systems 90

Systems 90 Accessory Group—General Breakdown

MODEL NUMBER	ESCUTCHEONS	BASIC BRD NUMBERS	CABLE KIT NUMBER & PLUG COLOR	PUSH SWITCHES	
Q-2001A	13-84319C15	Front interface module— QLN-2182A Rear Audio Module— QLN-2185A	QKN-8513A 14-84556B04 Red		
Q-2002A					
QCN-1090A	13-84319C01	QCN-6406A (1500 Hz)	TKN-6503A 14-84556B03 Green	40-84324C04	
QLN-1189A	13-84319C01	QLN-6661A (1500 Hz)	TKN-6503A 14-84556B03 Green	40-84324C04	
QLN-1340A	13-84319C01	QLN-6661A (2850 Hz)	TKN-6503A 14-84556B03 Green	40-84324C04	
QLN-1946A	13-06510A04	Control Brd. QLN-5803A	QKN-6996A 14-84556B12 Brown	1-80718B26	
	13-06510A04	8F Adapter Brd QLN-5804A	TKN-6501ASP7 14-84556B06 Lg. Yellow	40-84324C01	
QLN-1946B	Same as above	Same as above	TKN-6502A SML Yellow 14-84590B06	Same as above	
T-1692A	FRNT 13-84319C23 REAR 13-84318C24	Transfer Brd (Frnt) TLN-5552A Rear Control Brd TLN-5554A	TKN-6689A TKN-6690A	14-84556B10 (Blk) Purple 14-84556B09	40-84324C25 40-84324C25
T-1693A	FRNT 13-84319C23 REAR 13-84319C24	SQ BRD (Radio) TLN-5558A Same as T-1692A	Same as T-1692A	Blk 14-84556B01	Same as T-1692
TLN-1387A	13-84319C11	TLN-4519A	TKN-6501A TKN-6502A	Yellow (L) 14-84556B06 Yellow (S) 14-84590B06	40-84324C09-4 Section 40-84324C01-Scan On-Off
TLN-1388A	13-84319C09	TLN-4520A	Same as TLN-1387A		40-84324C05-4 Section 40-84324C01-Scan On-Off
TLN-1389A	13-84319C01	TLN-4521A	TKN-6503A	Green 14-84556B03	40-84324C04
TLN-1390A	13-84319C01	TLN-4522A	Same as TLN-1389A	Green 14-84556B03	40-84324C04
TLN-1391A	13-84319C01	TLN-4523A	Same as TLN-1389A	Green 14-84556B03	40-84324C04
TLN-1392A	13-84319C07	TLN-4524A	TKN-6505A TKN-6504A	Mic Transfer Orange 14-84556B05	40-84324C08
TLN-1393A	13-84319C19	TLN-4525A	TKN-6506A	White 14-84556B07	40-84324C03
TLN-1394A	13-8431905	TLN-4526A	Same as TKN-1393A	14-84556B07	40-84324C11
TLN-1395A	Redesignated TLN-1837A	Was TLN-4527A	See TLN-1837A		See TLN-1837
TLN-1396A	Redesignated TLN-1838A	Was TLN-4528A	See TLN-1837A		See TLN-1838
TLN-1397A	13-84319C22	TLN-4529A	TKN-6508A	14-84556B09 Purple	S1 & 5 40-84324C02 S2, 3, 4 40-84324C01
TLN-1400A	13-84319C03	TLN-4571A	TKN-6520A	14-84556B04 Red	40-84324C10
TLN-1547A	Redesignated TLN-1839A	Was TLN-5154A	See TLN-1839A		See TLN-1839A
TLN-1548A	Redesignated TLN-1840A	Was TLN-5155A	See TLN-1840A		See TLN-1840A
TLN-1694A	13-84319C34	TTN-6004A	TKN-6732A	14-84556B13 Dark Blue	40-84324C02
TLN-1695A	UPPER 13-84319C32 LOWER 13-84319C33	TLN-5837A TTN-6006A	TKN-6731A	14-84556B13 Dark Blue	40-84324C34 40-84324C34
TLN-1696A	13-84319C37	TRN-6015A	TKN-6503A	14-84556B03 Green	40-84324C04
TLN-1697A	13-84319C37	TRN-6043A	TKN-6503A	14-84556B03 Green	40-84324C04
TLN-1704B	13-84319C48	TLN-5831B	TKN-6505A TKN-6754A	Mic Transfer Pink 14-84556B10	40-84324C26
TLN-1705B	13-84319C49	TRN-6067B	Same as TLN-1704A		40-84324C26
TLN-1707A	13-84319C35	TLN-5735A	TKN-6738A	14-84556B08 Tan (Beige)	40-84324C06
TLN-1708A	13-84319C36	TLN-5736A	Same as above		40-84324C07
TLN-1709A	13-84319C35	TLN-5735A	Same as above		40-84324C06
TLN-1710A	13-84319C36	TLN-5736A	Same as above		40-84324C07
TLN-1711A	13-84319C35	TLN-5735A	Same as above		40-84324C06
TLN-1712A	13-84319C36	TLN-5736A	Same as above		40-84324C07
TLN-1837A	13-84319C16	TLN-4527A	TKN-6507A	14-84556B08 Tan (Beige)	40-84324C06
TLN-1838A	13-84319C06	TLN-4528A	Same as above		40-84324C07
TLN-1839A	13-84319C16	TLN-5154A	Same as above		40-84324C06
TLN-1840A	13-84319C06	TLN-5155A	Same as above		40-84324C07
	Blank 13-84319C12 (MICOR)				
	Blank 13-84319C15				

Miscellaneous Parts

MODEL NUMBER	ESCUTCHEON & HARDWARE KITS	MANUAL	DESCRIPTION
Q-2001A	QLN-9006A	68-81035E25	Hands Free EMS Rear Accessory Group With Handset
Q-2002A	QLN-9006A	68-81035E25	Hands Free EMS Rear Accessory Group With Handset
QCN-1090A	TLN-4510A	5S-SP031112	Digital Decoder
QLN-1189A	TLN-4510A	5S-SP031112	Digital Decoder
QLN-1340A	TLN-4510A	5S-SP031112	Digital Decoder
QLN-1946A	TLN-4509ASP18	10S-SP032887	Channel Scan NP 8 Chan
QLN-1946B	TLN-4509ASP18	10S-SP032887	Channel Scan NP 8 Chan
T-1692A	TLN-5555A	68-81106E02	EMS Front-Rear-Hands Free
T-1693A	TLN-5555A	68-81106E02	EMS Front-Rear-Handset
TLN-1387A	TLN-4508A TLN-4509A	68-81102E23	Channel Scan—Priority Type
TLN-1388A	TLN-4508A TLN-4509A	68-81102E23	Channel Scan—Non-Priority Type
TLN-1389A	TLN-4510A	68-81102E25	Quik Call Decoder
TLN-1390A	TLN-4510A	68-81102E27	Quik Call II Decoder
TLN-1391A	TLN-4510A	68-81102E27	Quik Call II Paging Decoder
TLN-1392A	TLN-4511A	68-81102E29	Public Address
TLN-1393A	TLN-4512A	68-81102E31	Single Tone Encoder—1 Tone
TLN-1394A	TLN-4513A	68-81102E31	Single Tone Encoder—5 Tone
TLN-1395A	See TLN-1837A	See TLN-1837-40A	Multi PL Encoder—4 Tone
TLN-1396A	See TLN-1838A	See TLN-1837-40A	Multi PL Encoder—8 Tone
TLN-1397A	TLN-4518A	68-81102E35	Wild Card
TLN-1400A	TLN-4572A	68-85900C35	Voice Privacy Adapter (VPA)
TLN-1547A	See TLN-1839A	See TLN-1839A	Multi PL Encoder—4 Tone
TLN-1548A	See TLN-1840A	See TLN-1840A	Multi PL Encoder—8 Tone
TLN-1694A	TTN-6005A	68-81106E44	"Touch Code" Auto ID Encoder
TLN-1695A	TLN-5838A	68-81106E45	"Touch Code" Manual Encoder
TLN-1696A	TRN-6016A	68-81106E46	"Touch Code" Decoder
TLN-1697A	TRN-6016A	68-81106E46	"Touch Code" Decoder w/Group
TLN-1704B	TLN-5832B	68-81108E05	Electronic Siren & PA "Steady"
TLN-1705B	TRN-6068A	68-81108E05	Electronic Siren & PA Hi-Lo
TLN-1707A	TRN-6044A	68-81106E96	Digital PL—4 Code
TLN-1708A	TRN-6045A	68-81106E96	Digital PL—8 Code
TLN-1709A	TRN-6044A	68-81106E96	Digital PL—4 Code
TLN-1710A	TRN-6045A	68-81106E96	Digital PL—8 Code
TLN-1711A	TRN-6044A	68-81106E96	Digital PL—4 Code
TLN-1712A	TRN-6045A	68-81106E96	Digital PL—8 Code
TLN-1837A	TLN-4514A	68-81106E95	Multi PL—4 Tone
TLN-1838A	TLN-4515A	68-81106E95	Multi PL—8 Tone
TLN-1839A	TLN-4514A	68-81106E95	Multi PL—4 Tone
TLN-1840A	TLN-4515A	68-81106E95	Multi PL—8 Tone

BUTTONS

(NOTE: some used on Modat, EMS, & SP's)

Orange	38-84321C02
Telephone White	38-84321C04
White	38-06934B04
Yellow	38-06934B01
Pink	38-84321C10
Purple	38-06934B05
Shadow Bronze	38-06934B06
Green	38-06934B02
Grey Silver	38-84321C11
Blue	38-86934B03
Shadow Pearl (Light Grey, Shadow Grey)	38-84321C01
Red	38-84321C03
Brown	38-06934B07
Dimension Scarlet Switch Stopper	38-84321C03 38-84617C01

NOTE:
38-06934C-Series



38-84321C-Series

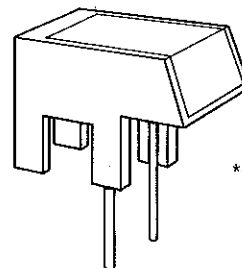


Micor System 90 Accessory Group Installation INSTRUCTION
68-81102E39 ("BEDSHEET")

ENCAPSULATED LAMP ASSEMBLY

*65-84047E02—Used with Interlocking Type Switches.

65-84047E01—Used with Non-Interlocking Type Switches.



*One leg removed

Switch insulators—order 1 per switch section

14-84360C01



teflon

Contact Removal tool—Metal

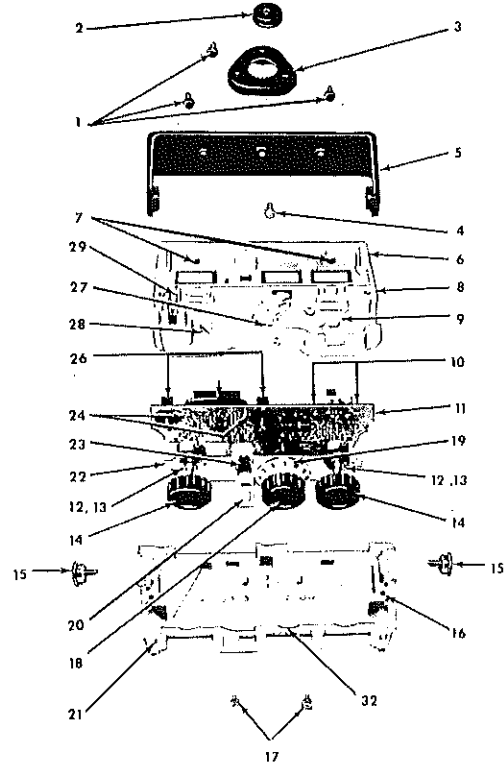
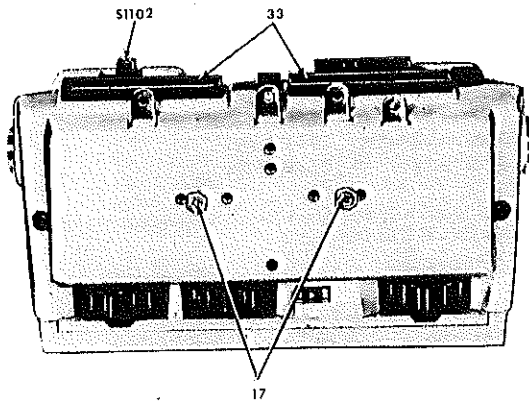
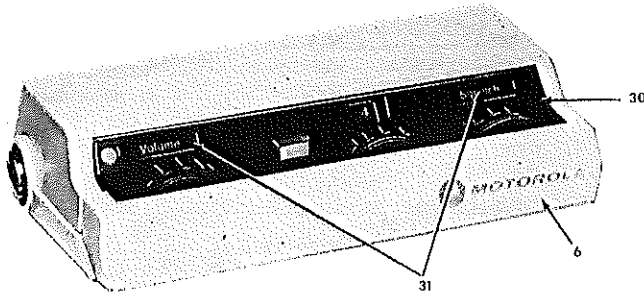
66-84699B01





MICOR Radio Control Heads Systems 90 Control Heads

*TCN-1095A (Single-Freq.), TCN-1096A (4-Freq.), TCN-1106A (8-Freq.), TCN-1091B (Single Freq.),
TCN-1092B (4-Freq.), TCN-1121A (8-Freq.), TCN-1119A (12-Freq.), TCN-1124A (12-Freq.), TCN-1184A (5-Freq.)*



REF. NO.	PART NO.	DESCRIPTION
1	3-136756	Screw, tapping; 10-16 x 5/8" plain hex flanged head; does not include 4-7652, Lock washer; No. 10 external
2	49-84961C01	Disc, trunnion bracket mounting; "breakaway" type
3	42-84963C01	Collar, trunnion bracket mounting
4	3-115727	Lockscrew, machine; 10-32 x 1/2" plain hex head
5	7-84576B01	Bracket, trunnion
6	75-84628B01	Front Cover, housing ("bumper")
7	3-136963	Screw, tapping; 6-20 x 5/8" "Phillips" flat head
8	1-80712B88	Top Cover Assembly, housing includes ref items 6, 7, 9, 27, 28, 29, 31 (multi-freq. models)
	1-80757B65	Top Cover Assembly, housing includes ref items 6, 7, 9, 28, 29 and 31 (single-freq. models)
9*		PPS1M, optical
10	3-129675	Lockscrew, 4-40 x 1/4" "Phillips" binder head with lock washer
11	TLN-4369B	Plated Circuit Board Assembly, includes contact terminals
12	2-136272	Nut, machine, 3/8-32 x 1/2" hex
13	4-8210	Washer, metallic; 0.39" x 0.562" x 0.16"
14	36-84001C02	Knob, control (volume and squelch)
15	3-84546B01	Screw, machine; shoulder type (trunnion-mount)
16	3-84548B01	Screw, machine; 6-32 x 1/2" "Phillips" roundhead; "captive" type
17	3-136138	Lockscrew, machine; 6-32 x 3/8" "Phillips" hex head
18	36-84001C01	Knob, control; (freq. selector) (requires use of ref item 19)

REF. NO.	PART NO.	DESCRIPTION
19	36-84006C01	Disc, switch position indicator (used with reference item 18)
20	45-84004C01	Actuator, Switch
21	15-84920B01	Housing, (bottom section)
22	7-84005C01	Bracket (chassis)
23	1-80712B89	Switch Assembly; (slide switch); includes wires, contact terminals and mounting screws
24	3-135084	Lockscrew, tapping; 4-40 x 5/8" "Phillips" fillister head
25	42-84067C01	Retainer, connector
26	9-84627B01	Lampholder
27*, 28*		Prism, optical
29*		Prism, optical includes Red Lens
30	13-84000C02	Bezel (single-freq.)
	13-84000C01	Bezel (multi-freq.)
31	33-84038C01	Marker Strip, (volume squelch)
32	38-84357C01	Plug, Snap-In (single-freq.)
33	42-84962C01	Retainer, connector

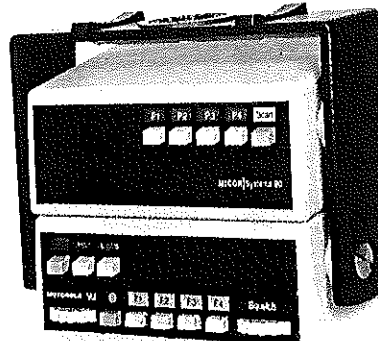
*Ref. Nos. 9, 27, 28, & 29 are not individually replaceable. For field replacement, order ref. No. 8 (top cover assembly)

Non-Referenced Items

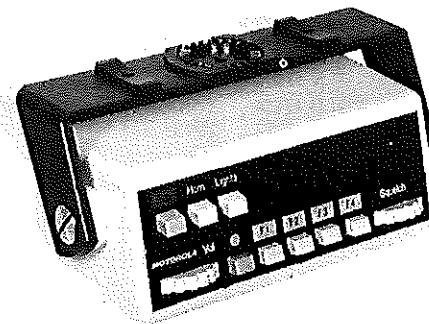
PART NO.	DESCRIPTION
54-84111D01	Mounting Template
TLN-4369B	Printed Circuit Board Assembly; includes 29-84547B01, Terminal, contact; male; 47 required; 42-84962C01, Retainer, connector, 2 req'd



THN-6123A Housing Kit shown with one accessory option and standard control head.



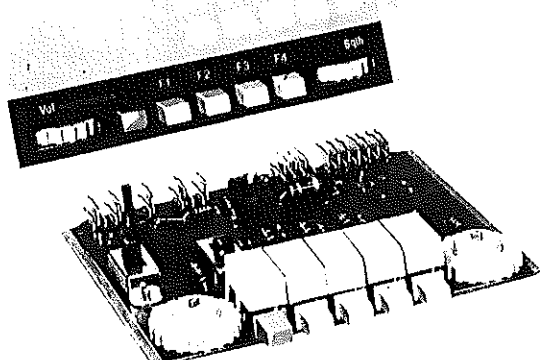
THN-6124A Housing Kit shown with two accessory options and control module.



THN-6125A Housing Kit shown with single accessory option and control module.

TCN-1097A Alternate Control Module (1-freq.)
TCN-1098A Alternate Control Module (4-freq.)

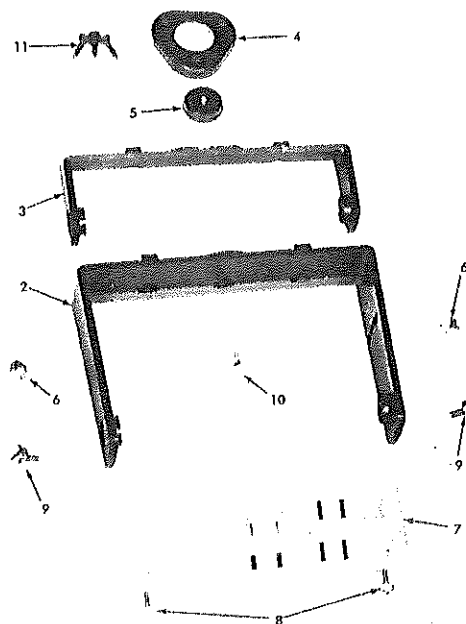
(for units shipped prior to 8/1/71)


TCN-1097A Alternate Control Module (1-freq.)
TCN-1098A Alternate Control Module (4-freq.)

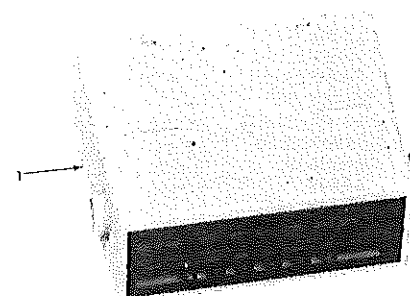
(for units shipped after 8/1/71)

PART NO.	DESCRIPTION
48-83461E45	Semiconductor Device, diode, (silicon; dual Zener type, 25V $\pm 5\%$) (CR1101)
65-84047E02	Lamp Assembly (80 mA 14V encapsulated) (DS1101)
65-84047E01	Lamp Assembly (80 mA, 14V encapsulated) (DS1103-DS1106)
06-6373	Resistor, fixed (150 $\pm 10\%$ 1/2 W) (R1101)
06-400058	Resistor, fixed (560 $\pm 5\%$; 1/2 W) (R1102)
06-2037	Resistor, fixed (56 $\pm 5\%$ 1/2 W) (R1103)
18-82238D23	Resistor, fixed (var; 25 K $\pm 30\%$ 0.2 W) (R1104, R1107)
06-2003	Resistor, fixed (3.3 K $\pm 5\%$; 1/2 W) (R1105, R1106)
06-3994	Resistor, fixed (27 $\pm 10\%$; 2 W) (4-freq only) (R1108)
06-2037	Resistor, fixed (56 $\pm 10\%$; 1 W) (R1109)
06-5645	Resistor, fixed (150 $\pm 5\%$; 1/2 W) (4 freq only) (R1110, R1112, R1114, R1116)
06-2037	Resistor, fixed (56 $\pm 10\%$; 1 W) (4 freq only) (R1111, R1113, R1115)
40-84635C01	Switch, slide (dpdt) (S1101)
40-84301C01	Switch, slide (spst) (S1102)
40-84324C03	Switch, pushbutton; 2 form "C"; interlocking (TCN-1097A) (S1103)
40-84324C06	Switch, pushbutton; 5 form "C"; interlocking (TCN-1098A)
13-84319C21	Escutcheon (TCN-1097A)
13-84319C14	Escutcheon (TCN-1098A)
38-84321C02	Button (org)
38-84321C01	Button (pearl)
66-84690C01	Tool, contact removal
36-84900C01	Knob, control
38-84617C01	Stop, button (TCN-1098A)
39-10184A10	Terminal, pin (male; 2 req'd)
39-10184A07	Terminal, pin (female; 1 req'd) (TCN-1098A)
37-82603D60	Sleeving (blank) (TCN-1098A)
01-80717B64	Circuit Board Assembly (TCN-1097A)
14-84360C01	Insulator, switch (S1103)
01-80717B66	Circuit Board Assembly (TCN-1098A)
14-84566B01	Insulator, connector (2 contact) (speaker)
14-84590B01	Insulator, connector (5 contact) (microphone) (TCN-1098A)
02-10101A68	Spring Washer (knob retainer)

PART NO.	DESCRIPTION
65-84326C01	Lamp Assembly; (80 mA; 10 V; encapsulated) (DS1101)
65-83554G01	Lamp (12 V; 0.19 A; wedge base; type No. 161) (DS1102)
65-84326C01	Lamp Assembly; (80 mA; 10 V; encapsulated) (DS1103 thru 1106)
28-84269C01	Contact (male; large)
28-84269C02	Contact (male; small)
06-6373	Resistor, fixed: (150 $\pm 10\%$; 1/2 W) (R1101)
06-400058	Resistor, fixed: (560 $\pm 5\%$; 1/2 W) (R1102)
06-2037	Resistor, fixed: (56 $\pm 10\%$ 1 W) (R1103, R1109)
18-82238D22	Resistor, fixed: (Var. 25 K $\pm 30\%$; 0.2 W) (R1104, R1107)
06-2003	Resistor, fixed; (3.3 K $\pm 5\%$; 1/2 W) (R1105, R1106)
06-3994	Resistor, fixed: (27 $\pm 10\%$; 2 W) (R1108)
06-2037	Resistor, fixed: (56 $\pm 10\%$; 1 W) (4 freq. only) (R1111, R1113, R1115)
06-5645	Resistor, fixed: (150 $\pm 5\%$; 1/2 W) (4 freq. only) (R1112, R1114, R1116) (R1110)
40-84635C01	Switch, slide (dpdt) (S1101)
40-84301C01	Switch, slide (spst) (S1102)
40-84324C03	Switch, pushbutton; (2 form "C," interlocking) (TCN-1097A) (S1103)
40-84324C06	Switch, pushbutton; (5 form "C," interlocking) (TCN-1098A)
13-84319C21	Escutcheon (TCN-1097A)
13-84319C14	Escutcheon (TCN-1098A)
38-84321C02	Button (org)
38-84321C01	Button (pearl)
66-84690B01	Tool, contact removal
36-84900C01	Thumbwheel, vol. and sq.
38-84617C01	Stop, button (TCN-1098A)
09-84285C01	Socket, lamp (DS1102)
39-10184A10	Terminal, pin; (male; 2 req'd)
39-10184A07	Terminal, pin; (female; 1 req'd) (TCN-1098A)
37-82603D60	Sleeving (blank) (TCN-1098A)
01-80717B64	Circuit Board Assembly (TCN-1097A)
14-84360C01	Insulator, switch (S1103)
01-80717B66	Circuit Board Assembly (TCN-1098A)
14-84566B01	Insulator, connector; (2 contact) (speaker)
14-84590B01	Insulator, connector; (5 contact) (microphone) (TCN-1098A)


MECHANICAL REPLACEMENT PARTS

REF. NO.	PART NO.	DESCRIPTION
1	1-80717B55	Housing
2	7-84809B01	Trunnion, long
3	7-84576B01	Trunnion, short
4	42-84963C01	Retainer
5	49-84961C01	Disc, breakaway
6	58-84318C01	Clutch adapter
7	15-84268C01	Rear cover
8	3-84322C01	Thumb screw
9	3-84546B01	Screw (Spcl. Mtg. THN-6124A only)
10	3-115727	LCK. screw
11	3-136756	Tpg. screw



MOCOM 70 Radio Systems 90 Compatibility

MODELS	DESCRIPTION	MANUALS	REFER TO MICOR SYSTEMS 90 MODEL
Q-1104A and B	Extended Control Console	STD None Required SP IS-SP 3030589	None
Q-1106A	Extended Control Console	STD None Required SP IS-SP 3030589	None
QKN-8481A was TKN6455B SP700	Cable Kit	SP IS-SP 3200312	None
QKN-8482A was TKN6455B SP700	Cable Kit	SP IS-SP 3200312	None
QLN-2157A	Multi PL 8 Tone (Code)	STD 68-81106E95 SP IS-SP 202988	None
QLN-2159A	Multi PL 4 Tone (Code)	STD 68-81106E95 SP IS-SP 202988	None
TCN-1092A thru TCN-1184A	Micor Control Heads	STD 68-81101E55	None
TCN-1097A/TCN-1098A	Alternate Control Module	See Micor Syst 90 section	
TKN-6454B SP700	Cable Kit	SP 5S-SP 202010	None
TLN-1387A SP701	Priority Type Chan Scan	STD 68-81102E23 SP IS-SP 202392	TLN-1387A
TLN-1388A SP701	Non Priority Chan Scan	STD 68-81102E23 SP IS-SP 202392	TLN-1388A
TLN-1389A	"Quik Call"	See MICOR Syst 90 section	TLN-1389A
TLN-1390A	"Quik Call II"	See MICOR Syst 90 section	TLN-1390A
TLN-1391A	"Quik Call II"	See MICOR Syst 90 section	TLN-1391A
TLN-1392A	Mobile Public Address	See MICOR Syst 90 section	TLN-1392A
TLN-1393A/94A	Single Tone Encoders	See MICOR Syst 90 section	TLN-1393A/94A
TLN-1397A	Wild Card	See MICOR Syst 90 section	TLN-1397A
TLN-1400A	Voice Privacy Adapter	See MICOR Syst 90 section	TLN-1400A
TLN-1695A	Touch Code Encoder	See MICOR Syst 90 section	TLN-1695A
TLN-1696A	Touch Code Decoder	See MICOR Syst 90 section	TLN-1696A
TLN-1697A	Touch Code Decoder	See MICOR Syst 90 section	TLN-1697A
TLN-1704A	Electronic Siren	See MICOR Syst 90 section	TLN-1704A
TLN-1705A	Electronic Siren	See MICOR Syst 90 section	TLN-1705A

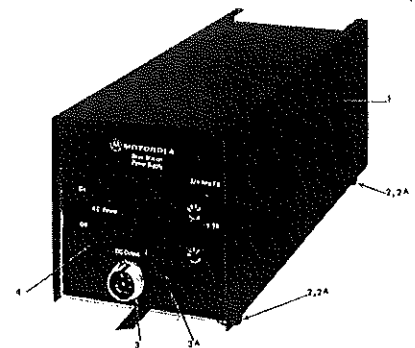
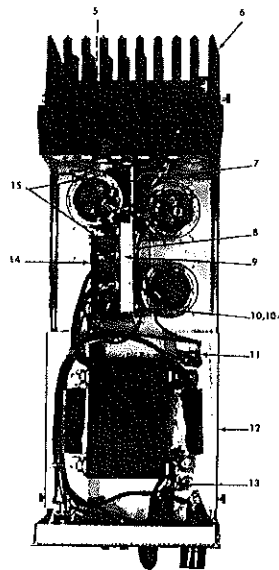
NOTE: Where STD and SP manual is indicated, order SP manual only to receive both.

NOTE: For part numbers on escutcheons, switches, kits, buttons, boards, cable kits, and misc. parts refer to SYSTEMS 90 MICOR section.

"MOCOM" REPLACEMENT PARTS

"MOCOM-35" BASE POWER SUPPLY

REF. SYMBOL	MOTOROLA PART NO.	DESCRIPTION
1	THN6138A	Housing: bronze (for TPN1093A, TPN1098A)
	THN6139A	Housing: blue (for TPN1094A, TPN1099A)
2	75-84215A02	Grommet (used for feet)
2A	3-135664	Screw, tapping: 6-32 x 9/16
3	2-482070	Nut, ring
3A	42-82018H01	Retainer, AC cable
4	13-84639D01	Escutcheon
5	16-84932D01	Cover (for heat sink opening)
6	26-84923B03	Heat Sink
7	42-471194	Clip, capacitor: 3 req'd
8	14-831681H01	Insulator, diode heat sink
9	1V80712B40	Assembly, heat sink and diode
10	4-821633	Washer, shoulder: 2 req'd
10A	3-2991	Screw, machine: 6-32 x 1/2
11	31-120174	Terminal Strip
12	27-84635D01	Chassis
13	31-490181	Terminal Strip
14	TLN4398A	Regulator Board: includes electrical components
15	1V80727B24	Bracket & Post Assy.



Bronze { TPN1093A
 { TPN1098A

Blue { TPN1094A
 { TPN1099A

"MOCOM-10" REPLACEMENT PARTS (High Band and UHF)

REF. SYMBOL	PART NUMBER	DESCRIPTION
1	THN-6174A	Housing, rear (Replaces 1-80724B94)
2	15-84702A09	Housing, front
3	13-84698D05	Escutcheon, 1 freq. (Replaces 13-84698D01)
	13-84698D02	Escutcheon, 2 freq.
4	36-82628H17	Knob, Vol. & Sqi.
	36-82628H18	Knob, Freq. Switch
5	3-2992	Screw (Replaces 3-138283)
6	4-84717C10	Washer, stainless steel
7	4-84788A02	Washer, fiber
8	3-7229	Screw, machine 8-32x $\frac{3}{8}$ " binderhead
9	40-84750B01	Switch F1-F2
10	18-84704A01	Pot, 25k (squelch)
11	PK-799	Pot, 25k (volume, on-off) (Replaces 18-84705A01)
12	Wired in Mic	

NON-REFERENCED ITEMS

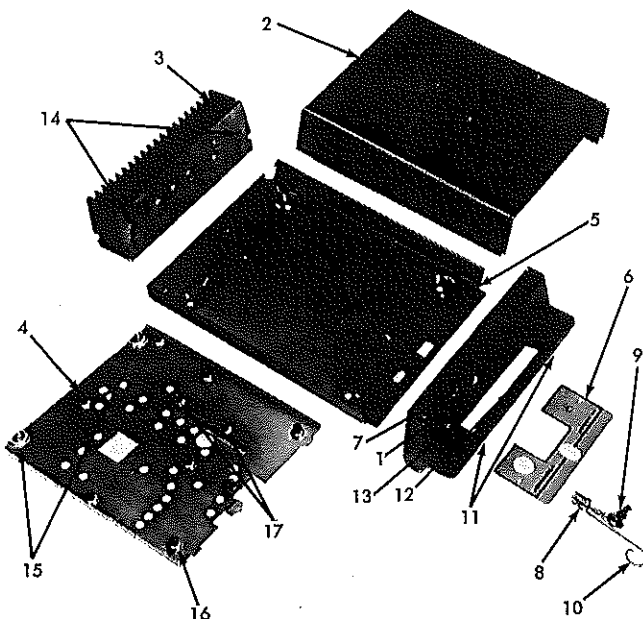
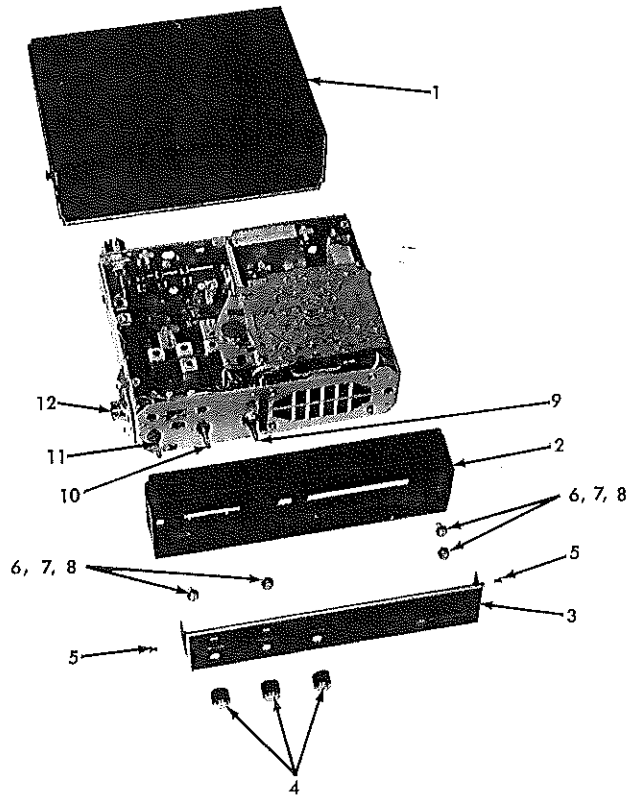
9-84766A01	Socket, Lamp
50-84761A01	Speaker
65-84835A01	Lamp

"MOCOM-35" REPLACEMENT PARTS

REF. SYMBOL	PART NUMBER	DESCRIPTION
1	01-80710B60	Housing, rear (Replaces 1-84222C29)
2	15-84702A04	Housing, front (Replaces 15-84702A01)
3	13-84698D08	Escutcheon, 2 freq. (Replaces 13-84823H10)
	13-84698D07	Escutcheon, 1 freq. (Replaces 13-84823A02)
4	36-84873A01	Knob
5	3-1938	Screw 4-40x $\frac{1}{4}$ " SFH (Replaces 3-135322)
6	4-84717C01	Washer, stainless steel
7	4-84788A02	Washer, fiber
8	3-7229	Screw, machine 8-32 x $\frac{3}{8}$ " binderhead
9	40-84750B01	Switch F1-F2 (Replaces 40-84125C01)
10	18-84704A01	Pot, 25 k (squelch)
11	PK-799	Pot, 25 k (volume, on-off) (Replaces 18-84705A01)
12	1-84222C01	Mike receptacle & spacer assembly

NON-REFERENCED ITEMS

9-84766A01	Lampholder min screw base
65-84835A01	Lamp incandescent screw base type (transmit)
50-84105C01	Speaker

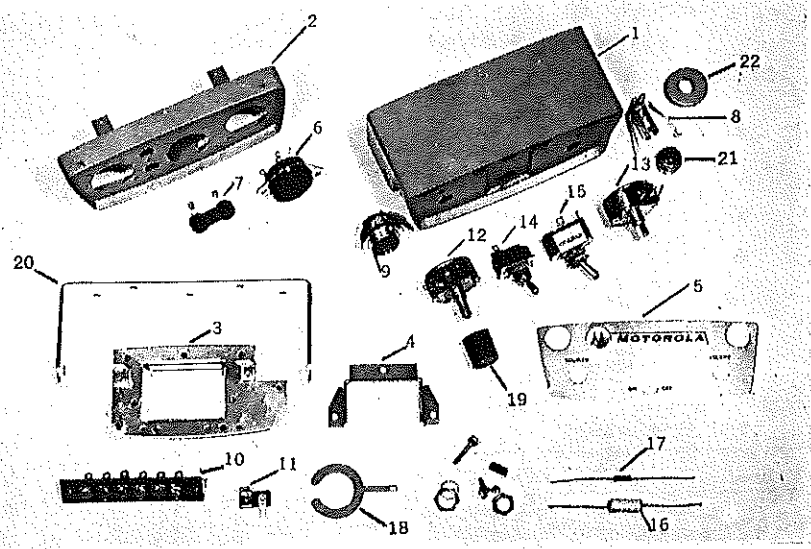


"MOCOM-70" REPLACEMENT PARTS

REF. SYMBOL	MOTOROLA PART NO.	DESCRIPTION
1	PK-747	Locking Bar (Replaces 45-84904A01)
2	15-84920A03	Cover, housing; top
3	26-84020B01	Radiator (heat sink)
4	15-84491B01	Cover, bottom
5	15-84920A01	Housing, base
6	13-84921A02	Escutcheon
7	55-84912A01	Lock, front panel
8		Barrel, lock; part of Code #7 Must be removed from radio before taking off front panel. Use tool #10
9	55-893872	Key
10	66-84909B01	Tool, for removal of lock
11	3-125457	Screw, special; for handle
12	55-84909A01	Handle
13	1-80708B65	Front panel, does not include Code 7, 11, 12
14	3-135031	Screw, special
	42-82234G01	Retainer
	4-115362	Lockwasher
15	3-84048B01	Screw, special
	42-82388C02	Retainer
	4-115362	Lockwasher
16	75-84962A01	Bumper, rubber
17	43-82721C03	Bushing, snap
	3-135111	Screw, tapping; No. 4-40 x $\frac{3}{8}$ "

Control Heads

TCN 6000 SERIES AND TCN 6001 SERIES CONTROL HEAD PARTS REPLACEMENT LISTING



PART NUMBER	FIG.	DESCRIPTION	MODEL NO.
15D82513B01	1	Housing	TCN6000 &
15C 861198	2	Housing Ext.	TCN6001 Series
64C 855103	3	Plate, Receptacle Mtg.	TCN6001 Series
7B 855113	4	Bracket, Connector Mtg.	TCN6000 Series
13D 859614		Escutcheon—1-Freq.	Standard Squelch (TCN6001AA)
13D 859615		Escutcheon—2-Freq.	Standard Squelch (TCN6001AB)
13D 859616		Escutcheon—1-Freq.	Dual Squelch (TCN6001AC)
13K 859617		Escutcheon 2-Freq.	Dual Squelch (TCN6001AD)

PART NUMBER	FIG.	DESCRIPTION
9B 855150	6	Socket, Tube (9 Pin)
9K 82810	7	Socket, Speaker
9A 859619	8	Socket, Pilot Light
9-830418	9	Receptacle, MIC (4-Prong) (Replaces 9-16345)
31A 890699	10	Board, Term. (6 Screw)
31R 490141	11	(Strip, Term. (1 Ins. #2 Mtg.))
18K 855108	12	Potentiometer (Volume)
18D82515B03	13	Potentiometer (Squelch)
40-482097	14	Switch, Toggle (TCN6001 Series)
40B 858304	15	Switch, Toggle (TCN6000 Series)

PART NUMBER	FIG.	DESCRIPTION
17K 892469	16	Resistor, W.W. (4-2-1W)
6-127C13	17	Resistor (33-10-2W) (Replaces 6-488016)
6-126C35		Resistor (270-10-1W) (Replaces 6-6336)
3S 400356		TPG. Screw (#4 x 1/4" PLN. Hex.)
3S 124542		Lock-Screw (6-32 x 3/4" PLN. Hex.)
3S 122897		Lock Screw (4-40 x 1/4" PLN. Hex.)
29R 5279	18	Lug
38B 82033B03	22	Button, Plug

PART NUMBER	FIG.	DESCRIPTION
36-858652	19	Knob, Control (Replaces 36-855027)
3-7302	23	Screw, 10-32 x 1/2" Hex.
61B 859620	21	Cap & Jewel (Red)
61K 859621	21	Cap & Jewel (Green)
7K 858250		Bracket
7B 855239	20	Bracket (Cont. Head Mtg.)
2S 8382		Nut (2 Req.)
4S 7691		Lockwasher (3/8 INT.)
5S 7707		Rivets (.122 x 3/32" Stl.)
2S 8364		Nut (3/8"-32 x 1/2" Hex.)

"MOTRAC" AND "MOCOM" SERIES CONTROL HEAD PARTS REPLACEMENT LISTING

ESCUTCHEONS

PART NUMBER	CONTROL HEAD MODELS
13K 857971	TCN6008, 9, 25, 26, 97, 98AE series
13K 857972	TCN6008, 9, 25, 26, 97, 98AF series
13K 857975	TCN6008, 9, 25, 26, 97, 98AG series
13K 857976	TCN6008, 9, 25, 26, 97, 98AH series
13D 82286C08	TCN6046, 48AE series
13D 82286C09	TCN6046, 48AF series
13-82286C06	TCN6046, 48AG series Replaces 13-82286C10
13D 82286C11	TCN6026, 48AH series
13D 82286C16	TCN6046, 48BE, 99AE, 6100AE series
13D 82286C17	TCN6046, 48BF, 99AF, 6100AF series
13D 82286C18	TCN6046, 48BG, 99AG, 6100AF series
13D 82286C19	TCN6046, 48BH, 99AH, 6100AH series
13D 82286C20	TCN6046AK, TCN6100AK series
13D 82286C21	TCN6046AJ, TCN6100AJ series
13D 82286C22	TCN6026, 98AK series
13D 82286C23	TCN6026, 98AJ series
13D 82286C24	TCN 6118AF
13D 82517B01	TCN6027, 30, 34AE series
13D 82517B02	TCN6027, 30, 34AF series
13D 82517B04	TCN6027, 30, 34AH series

HOUSINGS & MOUNTING BRACKETS

PART NUMBER	DESCRIPTION	MODEL NO.
1V 868494	Housing	TCN6008AE, AF, AG, AH, 09AE, AF, AG, AH, 25AE, AF, AG, AH, 26AE, AF, AG, AH, AJ, AK, 46AJ, AK, 49AJ series
15D 83576D03	Housing	TCN6098AE, AF, AG, AH, 98AE, AF, AG, AH, AJ, AK series
15C 82401D01	Back cover	For all "Motrac" radio trunk mount control head series
15D 83391H01	Back cover	For "Mocom" Series
7B 82400D01	Bracket, control head mounting	For all "Motrac" radio trunk mount control head series

CONTROLS & SWITCHES

PART NUMBER	DESCRIPTION
40A 80246	Switch, toggle (DPDT)
18K 857840	Potentiometer (25K ±30%)
18-868896	Control & Switch (25K ±30% 3A @ 120V SW) (Replaces 18-857697)
18C 857698	Potentiometer (25K ±30%)
40K 80247	Switch, toggle (PL Switch DPST)
18C 868896	Control & Switch (25K ±30% Inc 23A @ 14V)
40C 83624D01	Switch, Rotary (1 Pole—4 Pos.)
40C 83624D01	Switch, Rotary (4 Freq.)
40C 83640G01	Switch, Rotary (1 Pole—3 Pos.)
40-80257	Switch, toggle (DPST) (Replaces 40-83647D01)

JEWELS, KNOBS, BRACKETS & HARDWARE

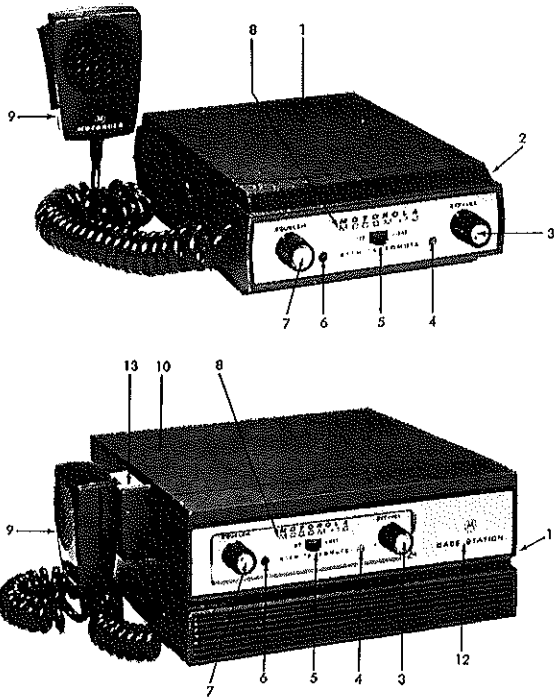
PART NUMBER	DESCRIPTION
13B 861579	"Motrac" nameplate—used on TCN 6008
33-83488G07	"Motran" 09, 27, 47 series Replaces 33-83088A01
33B 83646D01*	"Motran" nameplate—used on TCN 6097
33B 83646D03*	"Motrac" 98, 99, 6100 series
33B 83646D02	"Motran" nameplate—used on TCN 6025
33B 83646D04	"Motrac" 26, 30, 34, 45, 46, 48, 49 series
61A 865158	Jewel Pilot Light (Red)
61A 865159	Jewel Pilot Light (Green)
61B 83678D01*	Jewel Pilot Light (Red)
61B 83678D02*	Jewel Pilot Light (Green)
26B 83806D01*	Shield, light (L.D.R.)
2S 8382	Nut (1 1/2"-32 1/2 Hex)
2S 8364	Nut (3/8"-32 1/2 Hex)
3A 82670A01	Screw, Control Hd Mtg
3A 82227A02	Screw, Special 4-40 x 1/4"
3B 82126B06	Screw, Nylon (4-40 x 1/4" S/T. Rnd)
4A11722	Washer, "C"
36K 858652	Knob, Control (Vol. or Sgl.)
36-82869D03	Knob, Control (Freq.) Replaces 36-82869D01
2K 482070	Nut ring (for chassis recept.)
31A 824974	Board, Fuse mtg.
15B 855111	Cover, socket
15C 82401D01	Cover, Back
31C 857699	Board, Terminal (35 lug)
31C 83826D01*	Board, terminal (35 lug)

*Used on dimmer light series control heads

SOCKETS

PART NUMBER	DESCRIPTION
9K 830418	Receptacle, chassis (4 pin) Mlc. Recp.
9B 863168	Socket, pilot light
9C 801050	Connector, female (19 pin) to radio
9B 855112	Socket, Connector

"MOCOM 10" REPLACEMENT PARTS



REF. SYMBOL	PART NUMBER	DESCRIPTION (LOW BAND)
1	15-83417G01	Housing, Rear
2	15-83416G01	Housing, Front
3	36-82629H02	Knob (Volume)
	18-83525G01	Pot. Carbon (10K)
4	61-83513G02	Lens (Amber)
5	40-83890A02	Switch, Slide
6	61-83513G01	Lens (Red)
7	36-82629H01	Knob (Squelch)
	18-83514G01	Pot. Carbon (25K)
8	13-84051E01	Escutcheon (As Shown) (Replaces 13-83512G01)
	13-84051E02	Escutcheon (For Unit Without Automute) (Replaces 13-83512G02)
9	PK-510	Microphone (Replaces 50-83515G01)
10	15-83538G01	Housing, Power Supply (Rear)
11	15-83537G01	Housing, Power Supply (Front)
12	13-83539G02	Escutcheon (Replaces 13-83539G01)
13	1-80781A81	Kit, Hang-Up Box
	3-129281	Lock Screw (6-32 x 5/16 Phl Rnd)

NON-REFERENCED ITEMS

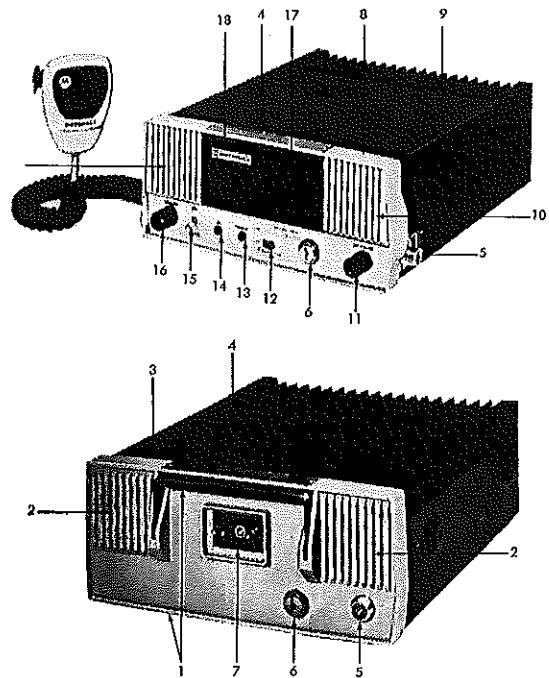
TLN-4400A	Locking Kit for Mocom-10
33-83517G01	Nameplate (Model)
65-83554G01	Bulb, Light (12V) #161
1-80778A20	Assem. Speaker & Grille Riveted
65-21975	Fuse (1/2 A-3AG)

"MOCOM 30" REPLACEMENT PARTS

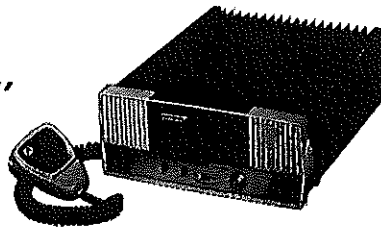
REF. SYMBOL	PART NUMBER	DESCRIPTION	REF. SYMBOL	PART NUMBER	DESCRIPTION
1	1-80777A83	Assem. Front Panel & Handle Riveted	33-83076H10	Escutcheon U/W 1 Freq. Dual Squelch	
	64-83481G03	Front Panel W/Handle	33-83076H08	Escutcheon U/W Multi-Freq. Dual Squelch	
	55-83494G01	Handle	33-83076H15	Escutcheon U/W Multi-Freq. Carrier Squelch	
2	64-83481G01	Panel, Door	16	36-858652	Knob, Control
3	THN6075A	Housing		18-82515B04	Pot. (2K) Squelch
4	33-82798C01	Nameplate	17	13-82776C01	Grille, Speaker
	3-892219	Screw, One-Way Slot	18	33-82124B01	Nameplate
5	9-85615	Antenna Connector			
	15-483599	Hood U/W Ant. Connector (Internal)			
6	55-82082D01	Lock W/Keys			
	55-893872	Keys			
7	28-802820	Connector, Male (19 Contact)			
8	64-83481G05	Panel (Front)			
9	THN6028A	Housing			
10	64-83481G01	Panel (Door)			
11	36-858652	Knob, Control			
	18-82810C03	Pot. (50K) Volume			
12	40-82073D01	Switch, Slide (DPDT)			
13	61-82720C01	Jewel, Pilot Light (Red)			
14	61-82720C02	Jewel, Pilot Light (Grn)			
15	33-83076H01	Escutcheon U/W 1 Freq. Carrier Squelch			

NON-REFERENCED ITEMS

50-82774C01	Speaker (3x5)
32-82775C01	Gasket, Speaker Grille
40-83161E01	Switch, Rotary (6 Pos.) For Multi-Freq.
36-82869D02	Knob, Control U/W Switch 40C83161E01 (Replaces 36-82869D01)
2-10101A87	Nut, Speed U/W Pilot Light Jewels (Replaces 2-82360B03)
54-852774	Label (±15KC)
54-863472	Label (±5 KC)
54-850440	Label (F.C.C.)
54-842366	Label (Repl. Parts)



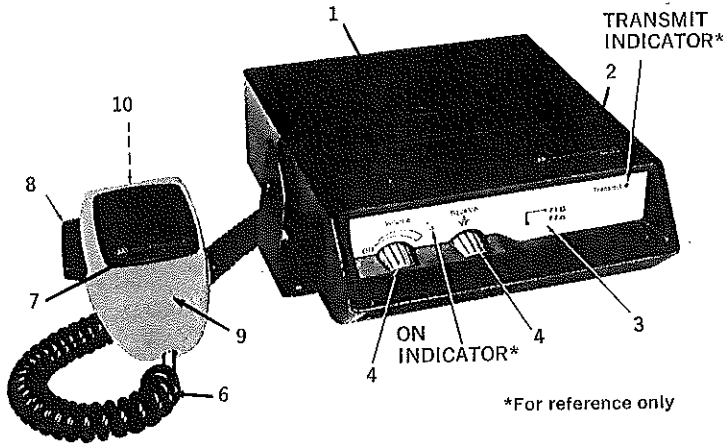
BUSINESS "DISPATCHER" RADIO PARTS LIST



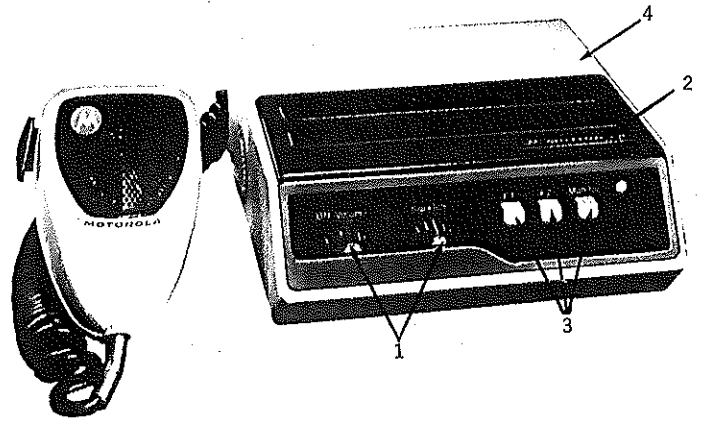
PART NUMBER	DESCRIPTION
THN 6028A	Housing, complete
1V 80711A86	Radiator Assembly
33D 83076H01	Panel escutcheon, 1-freq., Std. Squelch
33D 82709C02	Panel escutcheon, 2 freq., Std. Squelch

PART NUMBER	DESCRIPTION
33D 82709C03	Panel escutcheon, 1-freq., Dual Squelch
36K 858652	Knob (2 used)
64-82766C05	Panel, door (left)
64-82766C03	Panel, door (right)
64D 82766C01	Front panel casting
13B 82776C01	Grille, speaker
32B 82775C01	Gasket, grille
33A 82124B01	Logotype, nameplate
50C 82774C01	Speaker 3" x 5"
9B 82778C01	Socket, pilot lite
61A 82720C01	Jewel, red
61A 82720C02	Jewel, green
2C 82360B03	Nut, speed (for mtg.)
65C 82010C02	Bulb, #1445
55A 82082D01	Lock w/key
55-893872	Key only

MAXAR/MOXY Radio



MOXY Mobile



MAXAR Mobile

*For reference only

REF. NO.	PART NO.	DESCRIPTION
1	15-83128K02	Housing
2	33-84126L01	Nameplate, MOXY
3	38-83138K02	Button, push (orange)
4	36-83132K02	Knob, volume and squelch
5	13-83571L01	Escutcheon (1 freq.)
	13-83571L02	Escutcheon (2 freq.)
	13-83571L03	Escutcheon (1 freq., inverted)
	13-83571L04	Escutcheon (2 freq., inverted)
6	01-80715D87	Cord, coiled
7	33-83577L01	Nameplate
8	38-83574L01	Pushbutton
9	15-83573L01	Housing, front
10	01-80715D88	Housing, back

NON-REFERENCED ITEMS

PART NO.	DESCRIPTION
33-84253L02	Nameplate (FCC)
41-83576L01	Spring
03-139797	Screws, tapping (5-20 x 5/8")
35-83575L01	Grill, cloth
40-84622B07	Switch, slide (dpdt)
01-80796B52	Pre-amp, hy bryd

External Speaker (MOXY)

PART NO.	DESCRIPTION
01-80777B86	Cable, Speaker
01-80798B46	Housing, rear
03-84244C01	Screw, wing
07-84567B01	Bracket, hanger
07-84568B01	Bracket, trunnion
07-84569B01	Bracket, wall mount
13-84151C02	Bezel, Speaker
32-84564B01	Gasket, Speaker
33-82599D01	Nameplate
42-82018H05	Retainer, cable
50-84561B04	Speaker (5")

TMN-6130A, MOXY Microphone

PART NO.	DESCRIPTION
50-83905L01	Dynamic Cartridge
33-83577L01	Nameplate
38-83574L01	Pushbutton
03-139797	Screws, tapping (#5-20 x 5/8")
15-83572L01	Housing, back
15-83573L01	Housing, front
35-83575L01	Grill Cloth
30-83586L01	Cord, microphone, coiled

REF. NO.	PART NO.	DESCRIPTION
1	36-83132K01	Knob, Volume and Squelch
2	33-83418K01	Nameplate
3	38-83138K02	Button Push, (orange)
	38-83138K01	Button Push, (white)
4	15-83128K02	Housing

NON-REFERENCED ITEMS

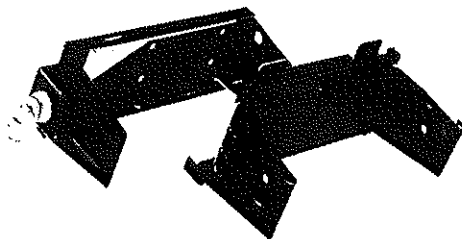
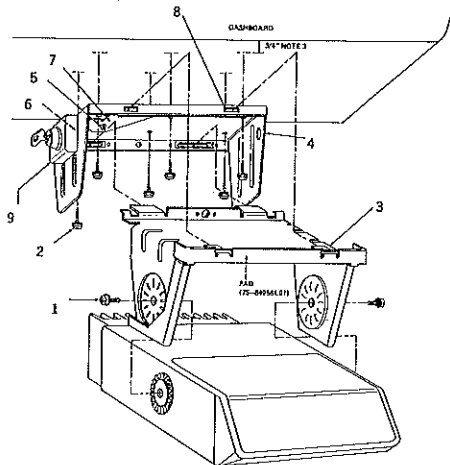
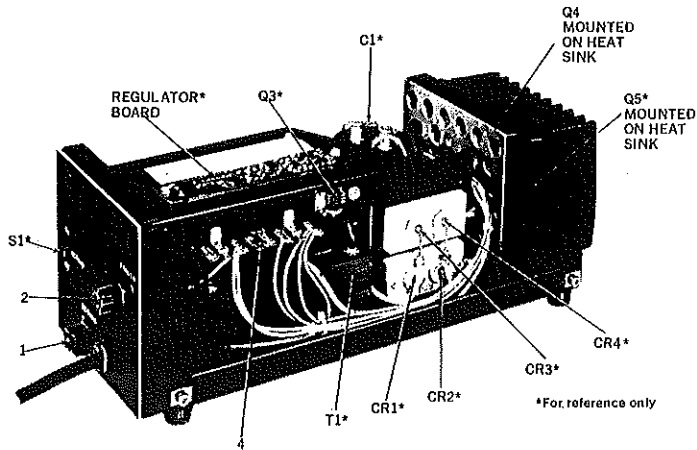
PART NO.	DESCRIPTION
40-83290K01	Switch, assembly (3-DPDT) (PL and 2 freq.)
40-83290K02	Switch assembly (1-DPDT) (PL only)
40-83290K03	Switch, assembly (2-DPT) 2 freq. only)
03-84351K01	Wing Screws (quick release)
03-84349K01	Security Screw
66-84352K01	Security Wrench
33-82211L01	Decal, (trim)
33-84253L01	Nameplate
33-84341K01	Nameplate (FCC)
50-83291K01	Speaker, (3 1/2" 4 ohms)
54-863472	Label (deviation 5KC)
54-865436	Label (FCC)

Non-Referenced Items For Maxar and Moxy

PART NO.	DESCRIPTION
65-83376K01	Lamp (GE #73; 14 V)
65-20404	Fuse (3A; 250 V; 10 watt models)
18-83288K01	Volume Control On-Off Switch
18-83287K01	Squelch, Control Switch

TMN-6104A, MAXAR Microphone

PART NO.	DESCRIPTION
01-80709B93	Rear Housing Assembly
01-80778B38	Cable and Switch, Coiled
33-82599D01	Nameplate
38-84559B01	Button, microphone
59-82933C02	Cartridge, dynamic
42-82702B02	Retainer, cartridge
13-84599B01	Emblem
15-82701B12	Cover, mic front
32-82703B01	Gasket, neoprene



Base Station Power Supply TPN-1136A

REF. NO.	PART NO.	DESCRIPTION
1	15-10183A52	Insulator
	29-82335A01	Contact male (4 req'd)
2	65-804908	Fuse, cartridge (slow-blow type; 2A)
3	30-83212F01	Line Cord (includes ac plug)
4	31-121700	Terminal Strip (8 terminals; No 2 & 7 mtg.)
5	26-84923B03	Heat Sink
	01-80745B88	Housing, power supply

MAXAR Locking Trunion TLN-5992A

REF. NO.	PART NO.	DESCRIPTION
1	03-138021	Screw, tapping (10-16 x 3/4" plain hex)
2	03-139966	Machine screw 10-32 x 1/2" "Phillips" hex ext.
3	07-83332L01	Trunion, security
4	07-83335L01	Bracket, trunion mounting
5	38-83389L01	Button, plug (nylon 3 used)
6	45-83333L01	Cam
7	45-82254M01	Slide, locking
8	46-83350L01	Guide
9	55-83349L01	Lock
10	75-84154L01	Pad, sponge rubber
11	55-893872	Key #2135

MAXAR Power Cable Kits TKN-6794A (25 watts)

PART NO.	DESCRIPTION
14-82882A01	Fuse Holder, body
14-82883A01	Fuse Holder, cap
15-83293K01	Housing Plug, (15 pin)
41-82885A01	Spring, fuse
65-86099	Fuse, (7.5 amp 32 V; 3 AG)
29-84706E05	Pin

TKN-6917A (30 watt MAXAR 80)

PART NO.	DESCRIPTION
14-82882A01	Fuse holder, body
14-82883A01	Fuse holder, cap
15-83958L01	Housing Plug
29-82335A01	Terminal, male
29-84706E05	Terminal, crimp pin
41-82885A01	Spring, fuse
42-82884A01	Clip, fuse
65-4165	Fuse (15 amp, 32 volt)

MAXAR Handset TMN-6113A

PART NO.	DESCRIPTION
01-80779B89	Cord and Contact
03-124432	Screw, machine (4-40 x 1/4" "Phillips" head)
07-83352H01	Bracket, hand set
15-84053A01	Cover, switch
40-84087A01	Switch Assembly, black
15-84107A01	Handset Housing, w/caps, black
59-82933C02	Cartridge, dynamic

MAXAR Escutcheons

PART NO.	DESCRIPTION
13-83133K01	Escutcheon, 1 freq., carrier squelch
13-83133K03	Escutcheon, 2 freq., carrier squelch
13-83133K02	Escutcheon, 1 freq., private line and digital private line
13-83133K04	Escutcheon, 2 freq., private line and digital private line
13-83133K05	Escutcheon, Quick Call 2, 1 freq., horn and light
13-83133K06	Escutcheon, Quick Call 2, 2 freq., horn and light
13-83133K17	Escutcheon, Quick Call 2, 1 freq. compatible
13-83133K19	Escutcheon, Quick Call 2, 2 freq. compatible
13-83133K15	Escutcheon, Quick Call 2, 1 freq. compatible, w/horn and light
13-83133K13	Escutcheon, Quick Call 2, 2 freq. compatible w/horn and light

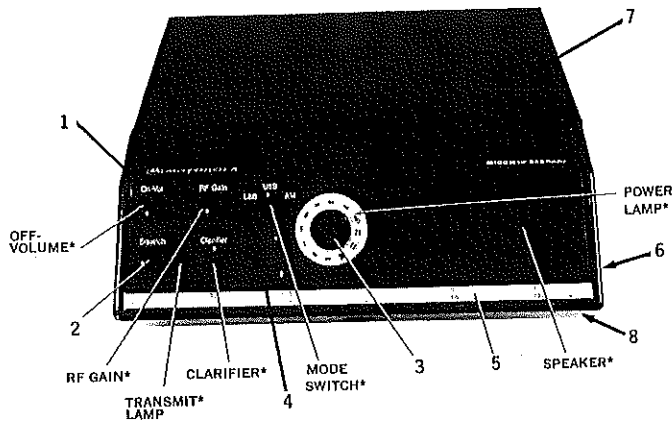
MAXAR Reverse Escutcheons

PART NO.	DESCRIPTION
13-83133K07	1 freq., Carrier Squelch
13-83133K09	2 freq., Carrier Squelch
13-83133K08	1 freq., Private Line, Tone Coded Squelch and Digital Private Line
13-83133K10	2 freq., Private Line, Tone Coded Squelch and Digital Private Line
13-83133K18	Quick Call 2, 1 freq. compatible
13-83133K20	Quick Call 2, 2 freq. compatible
13-83133K16	Quick Call 2, 1 freq. compatible w/horn and light
13-83133K14	Quick Call 2, 2 freq. compatible w/horn and light



MICOM Radio

MICOM Fixed Mobile

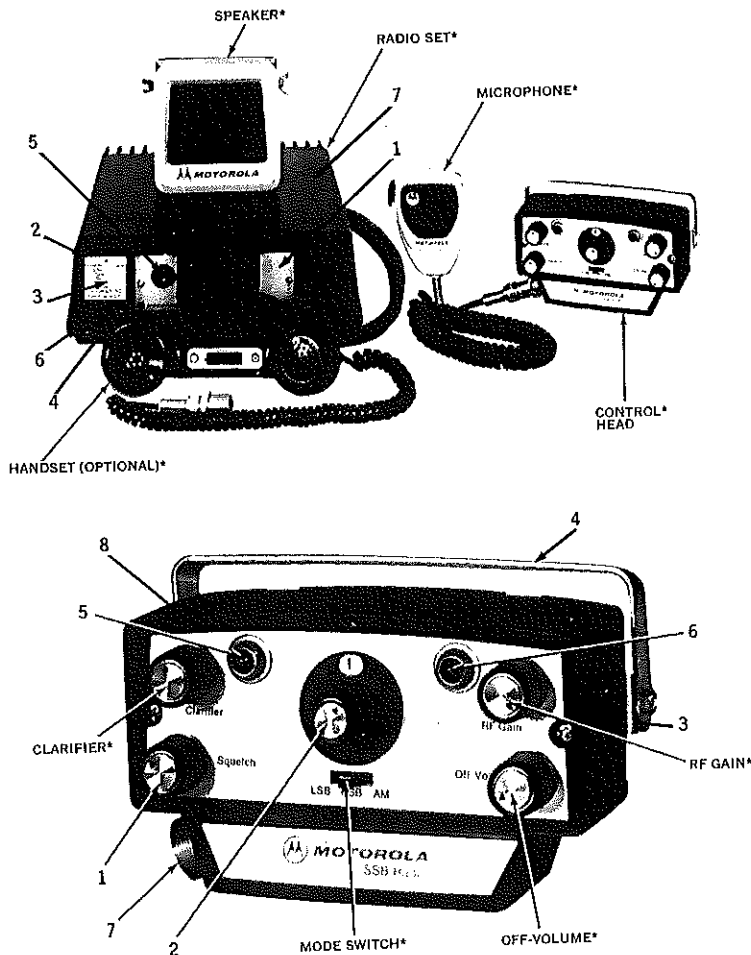


REF. NO.	PART NO.	DESCRIPTION
1	13-84858K02	Escutcheon, (Micom HF-SSB)
2	36-84962D01	Knob, (5 req'd)
3	36-84960D03	Knob, ch. sel.
4	13-84796K01	Escutcheon
5	54-84999K01	Label, ch. freq.
6	64-84788F03	Front housing
7	15-84920A06	Cover, top
8	15-84920A05	Tray, bottom

NON-REFERENCED ITEMS

PART NO.	DESCRIPTION
03-139626	Screw, machine; (8-32 x 1/2"; 4 req'd)
37-482052	Bumper, rubber; (4 req'd)
04-7657	Washer, external; (#8; 4 req'd)
02-7003	Nut, hex; (#8-32; 4 req'd)

MICOM HF-SSB Mobile (Trunk Mount)



REF. NO.	PART NO.	DESCRIPTION
1	13-83913K01	Escutcheon
2	64-83711K01	Panel, front
3	33-83917K01	Nameplate
4	55-8363K01	Handle
5	55-84912A03	Lock assembly, includes:
	55-84912A01	Barrel and nut
	55-84912A02	Key and plug
6	15-84920A01	Tray, housing
7	15-84920A03	Cover, housing

NON-REFERENCED ITEMS

PART NO.	DESCRIPTION
03-138806	Screw, machine; #8-32 x 3/8 inch
04-129021	Lockwasher, internal; 3/4 inch
37-482052	Bumper, rubber, 4 req'd
03-135996	Screw, drive; #4-75T x 1/4 inch; 2 req'd
55-84530B01	Bolt, lock
03-490768	Screw, machine; #8-32 x 5/8 inch; 2 req'd
03-8162	Screw, drive; #0 x 3/8 inch; 2 req'd
14-84006K01	Insulator; top cover
64-84146B01	Plate, latching
45-83520K01	Cam
42-82388C03	Ring, retaining
41-822468	Spring, locking plate
03-8375K01	Screw, latching
04-84910A01	Washer, retainer; 2 req'd
04-84362B01	Washer, cup (for latching screw)

REF. NO.	PART NO.	DESCRIPTION
1	36-82629H02	Knob, (4 req'd)
2	36-84027B01	Knob, ch. selector
3	07-83591K01	Bracket, trunnion
4	07-82400D01	Bracket, trunnion mount
5	61-83678D02	Lamp, power (green)
6	61-83678D01	Lamp, transmit (red)
7	07-84918K01	Retainer, mic connector
	02-482070	Nut, mic connector
	04-7699	Lockwasher, mic connector
8	01-80776B91	Housing, rivtd
9	13-83389K01	Escutcheon
10	33-83646D13	Nameplate

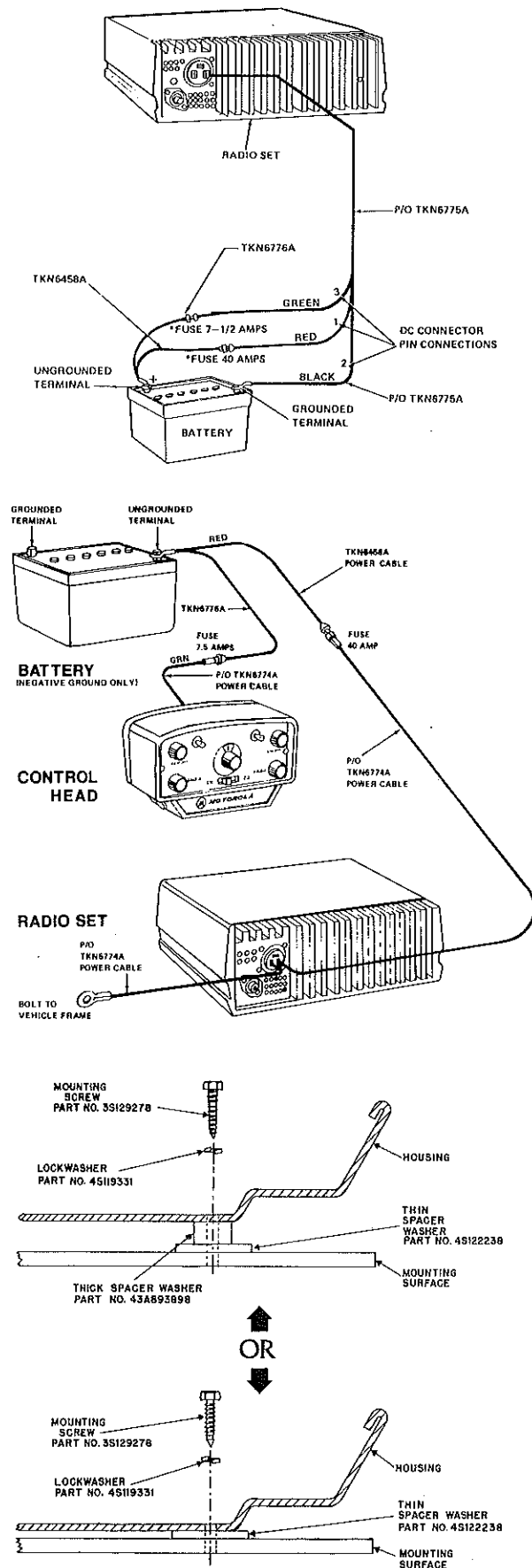
TKN-6784A Chassis Cable Kit for HF-SSB Mobile

PART NO.	DESCRIPTION
28-83511K01	Connector, plug (male 45 pin)
28-82365D02	Connector, plug (insulated)
30-251001	Cable, coax (17 inch)
30-82521C01	Cable, coax (8 inch)
30-83794C01	Cable, coax (11-3/4 inch)

PART NO.	DESCRIPTION
37-82603D01	Sleeve (numbered 1)
37-82603D02	Sleeve (numbered 2)
37-82603D03	Sleeve (numbered 3)
37-82603D04	Sleeve (numbered 4)
42-217A02	Strap, cable harness

*For reference only

12V dc Power Cables



TRN-6774A* Cable Kit

PART NO.	DESCRIPTION
1-80776B20	Lead assy, (red includes 9-83472K03; Connector, 30-812505; Cable #8 red, 8 $\frac{3}{4}$ ft.)
1-80776B21	Lead assy, (black includes part no. 9-83472K03; Connector, part no. 29-84528B03, Lug part no. 30-851875; Cable #8 black 5 ft.)
1-80776B22	Lead assy, (green includes: part no. 29-82602D01; Pin, terminal, 37-82603D54; Sleeve)
15-83468K01	Housing, connector, (3 cont. not shown)
15-84154K01	Cover
42-10217A02	Strap, cable harness
42-84936F01	Clamp, cable w/shell
9-84153K01	Connector, (3 cont.)
65C84161B01	Fuse: 40 amp
65K86099	Fuse: 7.5 amp

*TKN-6774A is used with trunk mount models

TKN-6775A* Cable Kit

PART NO.	DESCRIPTION
1-80776B23	Lead assy, includes: 9-83472K03; Connector; 30-812505; Cable #8 red
1-80776B24	Lead assy, includes: 9-83472K03; Connector, 30-851875; Cable #8 black, 29E84528B03; lug
1-80776B25	Lead assy, green includes: 9-83472K04, Connector
15-83468K01	Housing, connector; 3 cont.
42-84936F0	Clamp, cable
9-84153K01	Connector, (type Burndy KS22)
15-84154K01	Cover, (type Burndy SC2)

*TKN-6775A is used with front mount and fixed mobile models

TKN-6458A* Cable and Fuse Kit

PART NO.	DESCRIPTION
1-80711B12	Cable assy, includes 30-812505; Cable red #8 (2 ft) 29-84528B03; Lug
3-400465	Screw, tapping #16-12 x $\frac{3}{4}$ "
9-84277B02	Receptacle, fuse
38-84383D01	Cap, protective
42-8427B01	Retainer, fuse
65-84161B01	Fuse: 40 amp; 5 AG

*TKN-6458A used with all models

TKN-6776A* Cable and Fuse Kit

PART NO.	DESCRIPTION
9-84239F01	Fuseholder
1-80776B26	Lead assy, includes 29-82607B03 Lug
65-86099	Fuse: 7.5 amp - 32 V 3 AG

*TKN-6776A used with all models

TLN-6042A Installation Kit for Trunk Mount Radios

REF. NO	PART NO.	DESCRIPTION
1	43-893898	Bushing spacer, thick
2	04-122238	Washer, spacer (flat 2 $\frac{1}{8}$ - .095)
3	04-119331	Lockwasher
4	03-129278	Screw, mounting

NON-REFERENCED ITEMS

PART NO.	DESCRIPTION
42-19376	Clamp, cable; (4 req'd)
03-7467	Screw, tapping; (#8 x $\frac{3}{8}$ ", 4 req'd)
03-125947	Screw, tapping; (#14 x $\frac{3}{4}$ ")
37-103890	Grommet, rubber
04-7688	Lockwasher; (1/4" internal/external)



TRITON SSB

REF.	PART NO.	DESCRIPTION
1	54-84999K01	Label, freq
2	13-84796K21	Escutcheon
3	38-84915K01	Button, push
4	36-84960D03	Knob, channel-select
5	13-84858K01	Escutcheon, Triton SSB
6	64-84788F01	Panel, housing
7	64-84836F01	Panel, face
8	36-84961D01	Knob, control; (4 used)

NON-REFERENCED ITEMS

PART NO.	DESCRIPTION
66-83706K01	Tool, removal
13-84796K22	Escutcheon, reversed
61-84927K01	Window, call card
01-80788B64	Plug, assy (cradle)
50-84401D03	Speaker, (3.2 ohms)
65-84991B03	Lamps, 12V
THN-6245A	Cover, bottom, shielded
THN-6277A	Housing, bronze
THN-6276A	Housing, white

Palm Microphone TMN-6068A, TMN-6103A for Modar, Triton SSB

REF. NO.	PART NO.	DESCRIPTION
1	15-84033E01	Cover, microphone (front)
2	03-139096	Screw, machine; (6-32 x 3/4") (SST) (3 req'd)
3	04-139097	Washer, lock; No. 6 int (SST) (3 req'd)
4	04-139098	Washer, flat; (.156-.250-.015) (SST) (3 req'd)
5	04-84516B01	Spacer, nylon
6	35-852701	Grille cloth, microphone
7	32-82703B01	Gasket, neoprene
8	42-82702B02	Retainer, cartridge
9	59-82933C02	Cartridge, microphone; dynamic type (schematic reference DP601)
10	01-80732B40	Cord, coiled*, wht (Model TMN-6028A)
	01-80751B99	Cord, coiled*, blk (Model TMN-6103A)
11	40-82263G02	Switch, P-T-T* (schematic reference S601)
12	03-138586	Screw, machine; (6-32 x 3/16"); 3 req'd)
13	04-2645	Washer, lock; (6 ext, sst; 3 req'd)
14	42-83894F01	Clamp, microphone cord
15	38-84559B01	Pushbutton, switch
16	01-80732B41	Housing, microphone (rear)

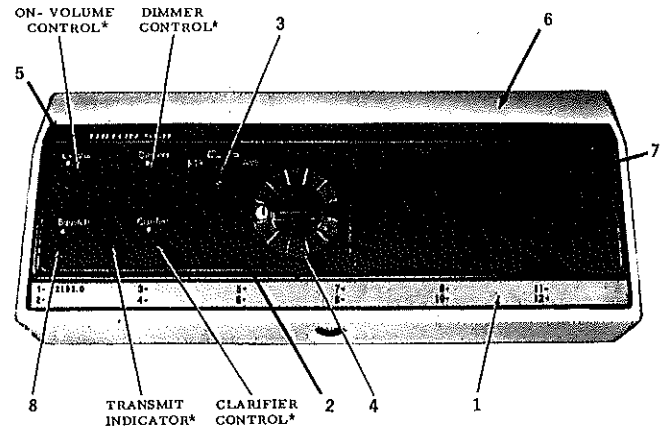
*1V80732B40 and 1V80751B99 (cord, coiled) includes terminals, shielding braid, and P-T-T switch. P-T-T switch may be ordered separately (see item 11).

TLN-4786A Hang-Up Kit, Microphone

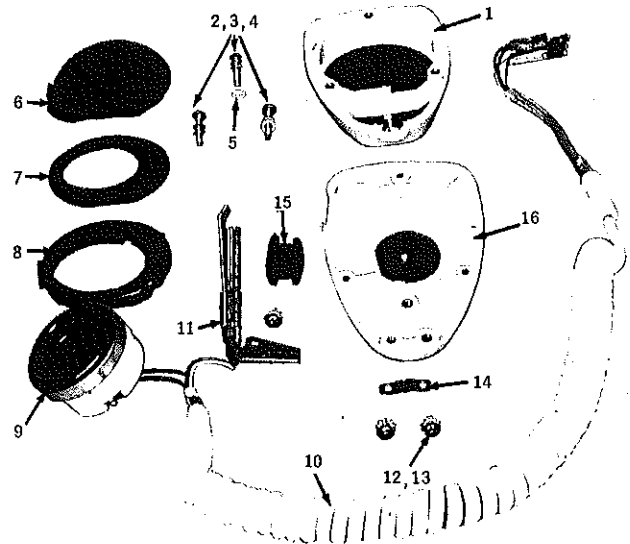
PART NO.	DESCRIPTION
01-80731B18	Cable Assembly
01-80731B82	Bracket Assembly

Palm Microphone TMN-6118A (Indoor) TMN-6121A (Weatherproof)

PART NO.	DESCRIPTION
59-82933C02	Cartridge, microphone
01-80788B69	Cord, microphone
03-138586	Screw, machine, (6-32 x 3/16")
03-139096	Screw, machine, (6-32 x 3/4")
04-82705B03	Washer, back up
04-82707B01	Washer, flat
15-82701B17	Housing, rear
04-2645	Lockwasher; (#6 split)
04-139097	Lockwasher; (#6 internal)
04-139098	Washer, flat (.156-.250-.015)
15-84033B01	Housing, front
32-82703B01	Gasket
33-84052E03	Nameplate
35-852701	Grille, cloth
38-84559B01	Button
42-82702B02	Retainer
42-84422D01	Strap
43-82706B01	Sleeve, PTT switch (TMN-6121A only)

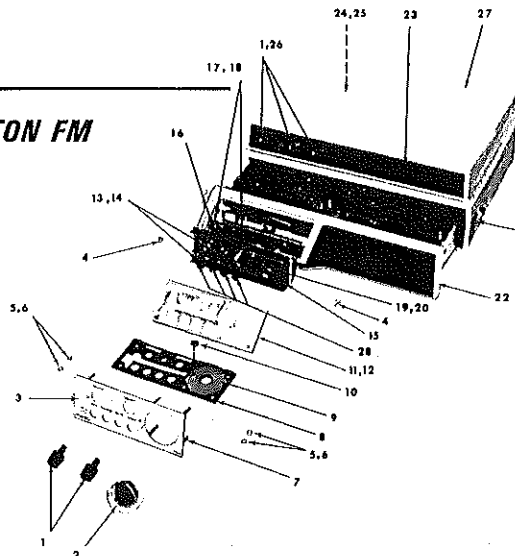


*For reference only

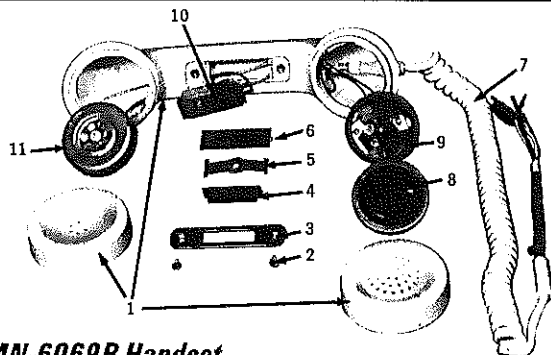


TMN-6013A, TMN-6018A, TMN-6114A, 6071A, XMN-6004A, and XMN-6071A Mobile Microphones

PART NO.	DESCRIPTION
01-80707A58	Cord, microphone; assembly incl. P1 and the following items: 41-852707 spring, strain relief (TMN-6013A, TMN-6022A, TMN-6071A & XMN-6005A)
01-80724A28	29-847034 lug, insulation-piercing; 4 req'd. Cord, plug & switch assy; inc. P1, S1 (TMN-6018A, TMN-6023A & TMN-6114A)
01-854030	Cord & plug assy; incl. P1 (TMN-6020A & XMN-6004A)
59-83272G01	Cartridge, microphone transistor amplifier
28-16370	Connector, plug; male; 4 contact (TMN-6013A, TMN-6022A, TMN-6071A, XMN-6004A & XMN-6005A) male; 4 contact (TMN-6020A) NOTE: not replaceable in TMN-6018A, TMN-6023A & TMN-6114A.
01-80720A94	Case, microphone; incl. hang up stud (TMN-6013A, TMN-6018A, TMN-6114A, XMN-6004A & XMN-6005A)
01-80725A49	Case, microphone; incl. hang-up stud (TMN-6020A, TMN-6022A & TMN-6023A)
01-80709B93	Case, microphone; incl. hang-up stud (TMN-6071A)
11-2506	Tubing; (No. 9 blk; 5" length req'd)
03-124693	Lockscrew; (6-32 x 1/4" Phillips round head; 2 req'd)
42-852710	Strap, strain relief
38-852699	Pushbutton
38-84559B01	Pushbutton (TMN-6071A)
15-82701B01	Cover, microphone case (front) (TMN-6013A, TMN-6018A, TMN-6114A, XMN-6004A & XMN-6005A)
15-82701B05	Cover, microphone case (front) (TMN-6020A, TMN-6022A & TMN-6023A)
32-82703B01	Gasket; neoprene
04-114201	Washer; (1/4" x 0.156" x .015"; 3 req'd)
03-129498	Lockscrew; 6-32 x 3/16"; Phillips round head
03-132436	Screw, machine; (6-32 x 1/16" Phillips round head, 3 req'd)
04-400386	Lockwasher; (No. 6 split, 2 req'd)
42-82702B01	Retainer, mic cartridge
42-82702B02	Retainer, mic cartridge (TMN-6071A)
01-865398	Mounting kit, microphone; incl. 64-85596 plate, mic hang-up; 03-122830 screw, tapping; No. 8 x 1/2" slotted blinder head; (2 req'd) (all except XMN-6005A)
01-851093	Mounting kit, microphone; incl: 1V851094 spring and bracket assembly; 03-122830 screw, tapping; (No. 8 x 1/2"; 2 req'd) (XMN-6005A)

TRITON FM


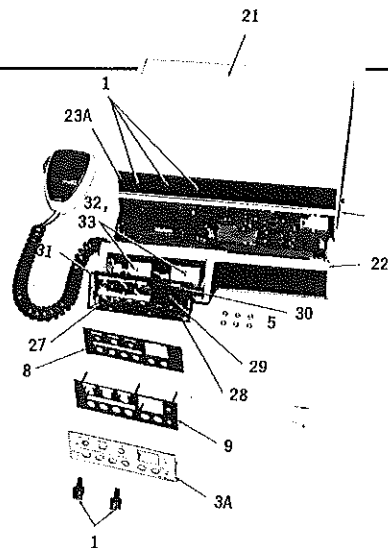
REF. NO.	PART NO.	DESCRIPTION
1	36-84961D01	Knob
2	01-80732B46	Knob, selector (10 watt, ch 6 and 16)
	01-80732B47	Knob, selector (25 watt, ch 6)
	01-80745B71	Knob, selector (10 watt, base, ch 16)
	01-80745B72	Knob, selector (bridge, ch 6 and 13)
3	13-84125E03	Escutcheon; (bronze, 25 watt)
	13-84026E03	Escutcheon; (white, 25 watt)
	13-84238E05	Escutcheon; (white, 10 watt)
	13-84238E06	Escutcheon; (bronze, 10 watt)
3A	13-83747K01	Escutcheon; (white, TRN-6358A and TRN-6360A)
3A	13-83748K02	Escutcheon; (bronze, TRN-6359A and TRN-6361A)
4	03-135506	Screw, tapping (#6-32 x 1/4") (6 req'd)
5	02-7005	Nut, hex (#6-32) (6 req'd)
6	04-7669	Lockwasher (split #6) (6 req'd)
7	64-84954D01	Plate, mounting
8	32-84973D01	Gasket, rubber
8A	32-82556L01	Gasket, rubber (bridge to bridge model)
9	64-84959D01	Panel, background
9A	64-83747K02	Panel
10	13-84314E01	Plug, (10 watt only)
11	64-84028E01	Panel, light (25 watt)
	64-84028E02	Panel, light (10 watt)
12	32-84833G01	Gasket, light panel
13	03-490530	Screw, machine (3-48 x 3/8") (2 req'd)
14	04-9767	Lockwasher (#3 split) (2 req'd)
15	07-84953D01	Bracket, mounting
16	07-84974D01	Bracket, support
17	02-8365	Nut, hex (1/4-32 x 3/2")


TMN-6069B Handset

REF. NO.	PART NO.	DESCRIPTION
1	15-84107A02	Moldings, handset; (1 set req'd)
2	03-124432	Screw, machine; (4-40 x 1/4")
3	15-84053A01	Plate, switch cover
4	38-84808G01	Pushbutton, switch
5	41-84799G01	Spring, return
6	32-84523G01	Gasket, moisture seal
7	01-80703D18	Cord, coiled
8	59-82933C02	Microphone element
9	42-84426D01	Retainer, microphone element
10	40-84508G01	Switch, pushbutton
11	59-84058A01	Cartridge, receiver

NON-REFERENCED ITEMS

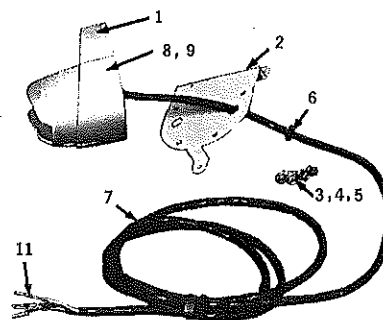
PART NO.	DESCRIPTION
75-82230B14	Pad, rubber
07-83352H01	Bracket



REF. NO.	PART NO.	DESCRIPTION
18	04-7670	Lockwasher, (1/4", internal)
19	04-7655	Lockwasher, (3/8", internal)
20	02-1376	Nut, hex (3/8-32)
21	01-80732B15	Housing, assembly, (bronze) radio telephone
	01-80732B16	Housing, assembly, (white) radio telephone
	01-80747B33	Housing, assembly (white) bridge to bridge
	01-80747B34	Housing, assembly (bronze) bridge to bridge
22	01-80731B86	Panel, assembly (front; white)
	01-80748B80	Panel, assembly (front; bronze)
	01-80731B87	Panel, assembly (front; bronze)
23	13-83102F01	Escutcheon
23A	13-83102F03	Escutcheon, monitor
24	03-7374	Screws, hex (#8-32 x 3/8") (6 req'd)
25	32-83306F01	Gasket, rubber (6 req'd)
26	06-10115A30	Grommet, rubber (3 req'd)
27	38-84962D01	Button, push (7 req'd)
28	68-83745K01	Panel, light
29	61-83743K01	Lens, filter
30	15-83750K01	Housing, L.E.D.
31	32-84833G02	Gasket
32	03-6947	Screw, machine; 6-32 x 7/8" (2 req'd)
33	04-84516B01	Washer, screw retaining (2 req'd)

NON-REFERENCED ITEMS

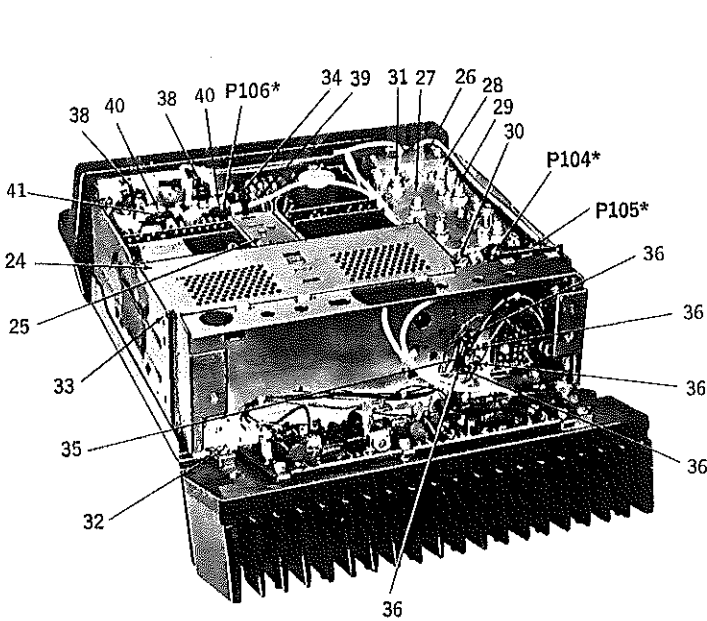
PART NO.	DESCRIPTION
36-84960D01	Knob, selector, blank Decals, sheets
33-84050E01	Number of decals per sheet; (all)
33-84050E02	Number of decals per sheet; (2, ch 6)
33-84050E03	Number of decals per sheet; (2, ch 16)
33-84050E05	Number of decals per sheet; (38 and 7 blanks)
TLN-4790A	Mounting tray assembly (white)
TLN-4789A	Mounting tray assembly (bronze)
54-863472	Label, deviation 5Kc


TLN-4787A Hang-Up Cradle

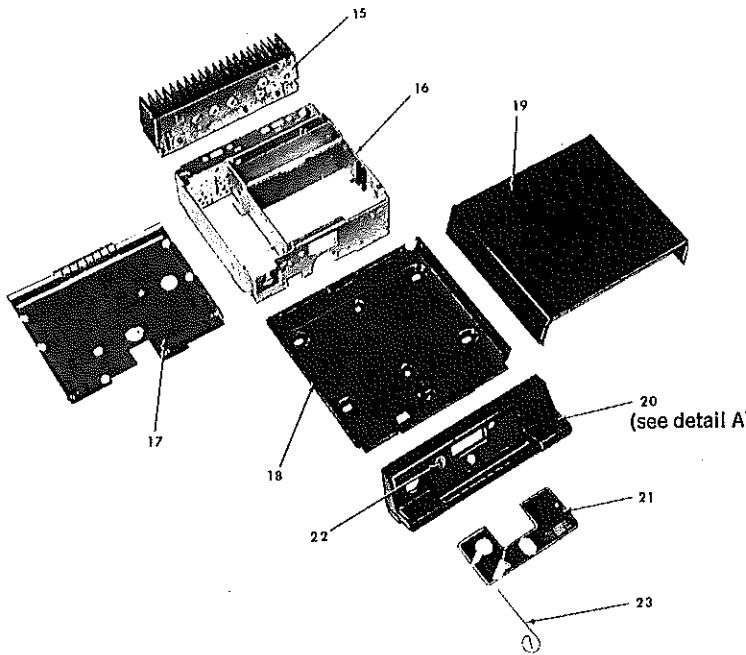
REF. NO.	PART NO.	DESCRIPTION
1	15-84520C03	Hang-up cup and switch
2	07-84998D01	Bracket, mounting
3	03-139103	Screw, tapping; (6-32 x 1/2", hex hd, 4 req'd)
4	04-139105	Washer, lock; (4 req'd)
5	04-139104	Washer, flat; (4 req'd)
6	37-16754	Grommet, rubber
7	01-80731B19	Cable assembly
8	42-82143C02	Clamp, cable
9	03-134186	Screw, tapping
10	03-139102	Screw, tapping (8-18 x 1/2")
11	29-82336A02	Terminal, contact

VHF PULSAR Radiotelephone

**T-1676, T-1677, T-1680 series,
T-1775, T-1776 units, T-1880, (MK7) series**



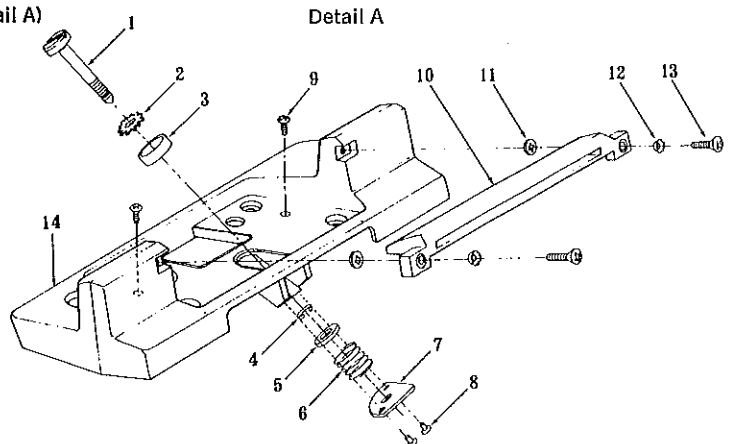
*For reference only.

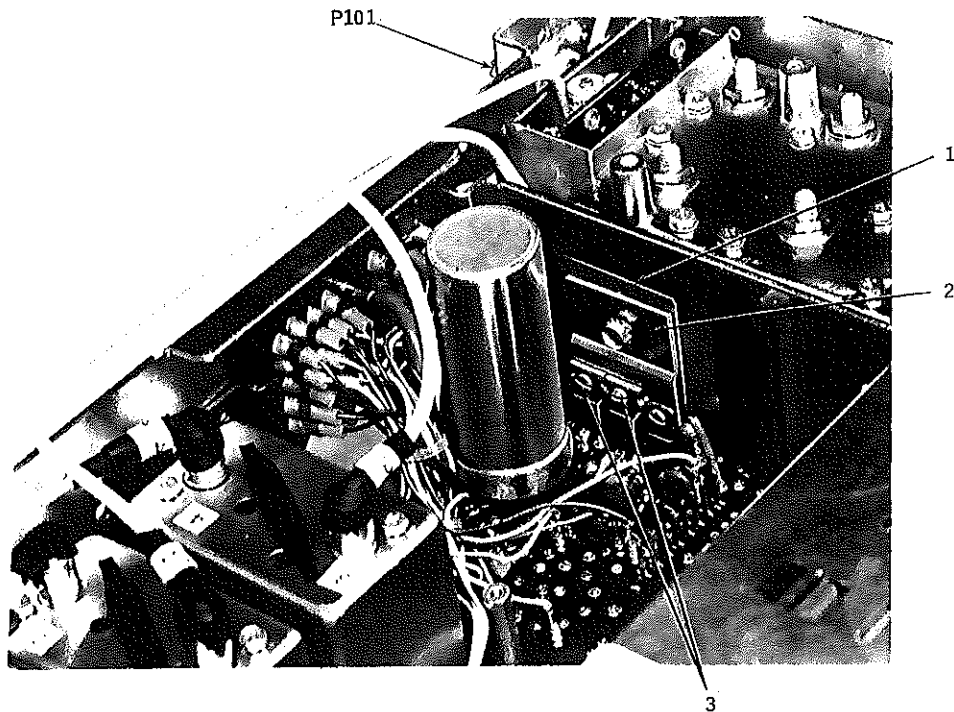
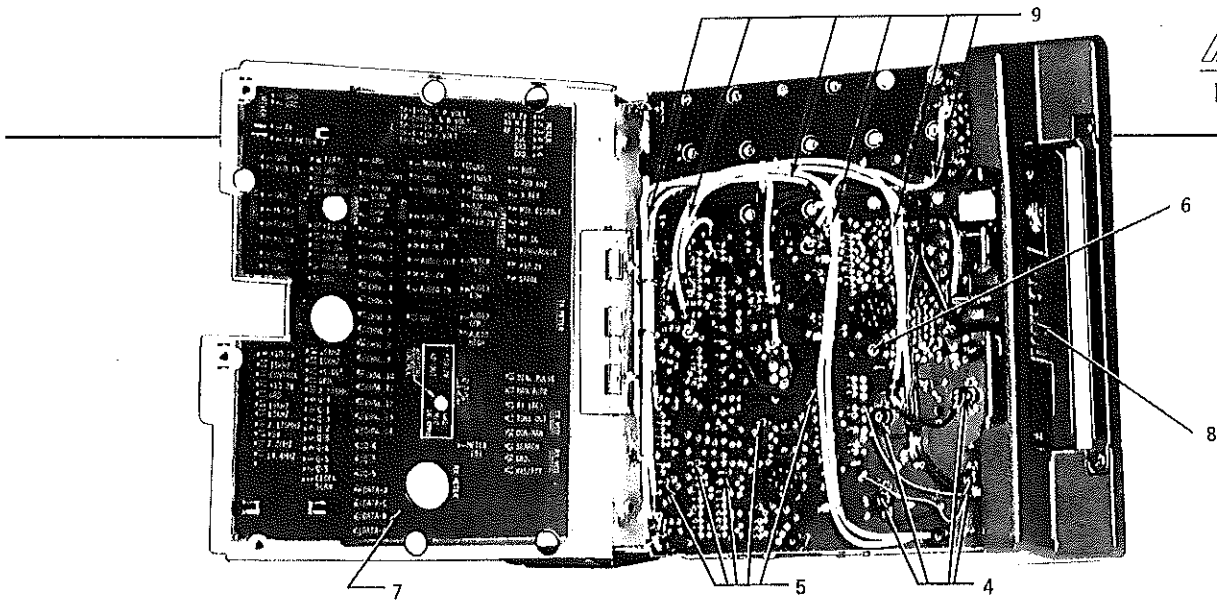


REF. NO.	PART NO.	DESCRIPTION
1	03-84655G01	Screw, latch
2	04-7678	Lockwasher (1/4 ext)
3	04-84362B01	Washer, cup
4	42-10219A07	Ring, retainer
5	04-131201	Washer, flat
6	41-84656G01	Spring, compress
7	07-84657G01	Plate, support
8	03-135996	Screw, tapping 4-7 x 1/4" (2 req'd)
9	03-2941	Screw, machine (6-32 x 1/4")
10	55-84909A01	Handle
11	04-84910A01	Washer, retainer (2 req'd)
12	04-129404	Lockwasher (8 ext) (2 req'd)
13	03-138303	Screw, tapping (8-32 x 3/8") (2 req'd)
14	64-84908A01	Panel, front
15	26-84020B01	Radiator
16	01-80745B44	Chassis w/guides and feedthru caps
17	01-80755B34	Plate Assembly, bottom
18	15-84572G01	Tray, mounting
19	15-84572G02	Cover, top
20	TLN-5259A	Panel Assembly, front
21	13-83721F02	Escutcheon (Motorola)
	13-83721F03	Escutcheon (Bell Systems)
22	55-84912A03	Lock Assembly (complete)
22A	55-84912A01	Barrel and Nut (p/o ref no 22)
22B	55-84912A02	Cylinder and Key (p/o ref no 22)
22C	55-893872	Key (p/o ref no 22)
23	66-84909B01	Tool, lock removal
24	01-80788B97	Shield Assembly
25	01-80788B98	Card Puller and Bracket
26	15-83120F01	Mixer Cover
27	15-83122F02	RF Housing
28	03-83303F01	Tuning Slug, receiver (5 req'd)
29	02-84773E03	Tension Nut (9 req'd)
30	01-80745B30	Cable Assembly (P102) (9 1/2")
31	03-83119F01	Tuning Slug (xmtr) (3 req'd)
32	55-84914A01	Hinge (2 req'd)
33	46-83234F03	Guide (2 req'd)
34	07-83126F01	Bracket Clip
35	17-82586H05	Resistor (.1 ohm ±5% 5W)
36	21-861219	Cap (1000 pf GMV 500V C130-C133)
37	48-82525G13	Diode
38	28-84924F01	Connector Plug (male)
39	TKN-6698A	Cable Kit (inner connectors) (connects to front plubs inc. caps)
40	15-83130F01	VCO Cover (rcvr and xmtr)
41	28-84924F01	Phono Connector Plug (male)

Non-Referenced Items

PART NO.	DESCRIPTION
55-84530B01	Bolt, locking (nylon)





REF. NO.	PART NO.	DESCRIPTION
1	14-83232F01	Insulator
2	07-83127F01	Bracket Heat Sink
3	04-844093	Shouldered Washer
4	04-83478F04	Washer (4 req'd)
5	07-84582G01	Aligning Key (5 req'd)
6	43-82253C13	Bushing Thread
7	15-84569G01	Cover Tray
8	28-83392K01	Front Plug (included in TKN-6698A)
9	30-84858F01	Coax Cable (order by foot or by assembly number*)

Non-Referenced Items

PART NO.	DESCRIPTION
38-84501F01	Rubber Boot (in rcvr & xmtr VCO)
75-84500F01	Gasket Rubber (in rcvr & xmtr VCO)
TLN-5438A	Reference Osc. (.0005%) (order from crystal service)
TLN-5439A	Reference Osc. (.0002%) (order from crystal service)
15-83132F01	Filter Cover (solder side)
15-83134F01	Discriminator Cover (solder side)
26-83131F01	Filter Shield (component side)

Non-Referenced Items (cont'd.)

PART NO.	DESCRIPTION
26-83133F01	Discriminator Shield (component side)
09-84881F02	IC Socket (28 contact; used with U2 on sup. brd)
09-84881F03	IC Socket (40 contact; used with U1 on sup. brd)
01-80747B52*	Cable VCO Transmitter (19", sleeve #2) (includes 28-84924F01)
01-80747B53*	Cable VCO Receiver Out (19", sleeve #4) (includes 28-84924F01)
01-80747B57*	Cable CO Transmitter Out (10", sleeve #1) (includes 28-84924F01)
01-80750B31*	Cable, PA Input (8") (includes 28-84924F01)
01-80766B33*	Cable, Coax (6½", no sleeve)
01-80766B34*	Cable, Coax (7", sleeve # blank)
01-80766B35*	Cable Coax, (13.75", sleeve # blank)
01-80766B36*	Cable Coax, (15¼", no sleeve)
01-80766B37*	Cable Coax, (15½", no sleeve)
01-80766B38*	Cable Coax, (18", sleeve # blank)
01-80766B41	Cable Coax, (12", sleeve #7, cable 30-82521C01)
75-83304F01	Rubber Shock Mount (for ref oscillator)
76-83960B01	Ferrite Core (p/o TKN-6698A cable kit, 10 per pk)
01-80745B29	Cable Assembly (P101) (12")
15-83121F01	Cover Housing, Tri-Selector (bottom)
65-139630	Fuse (20A @ 32V)
TRN-6548A	Heavy Duty Cable Plug (cont Hd) Retainer

*These items include coax cable part number 30-84858F01.

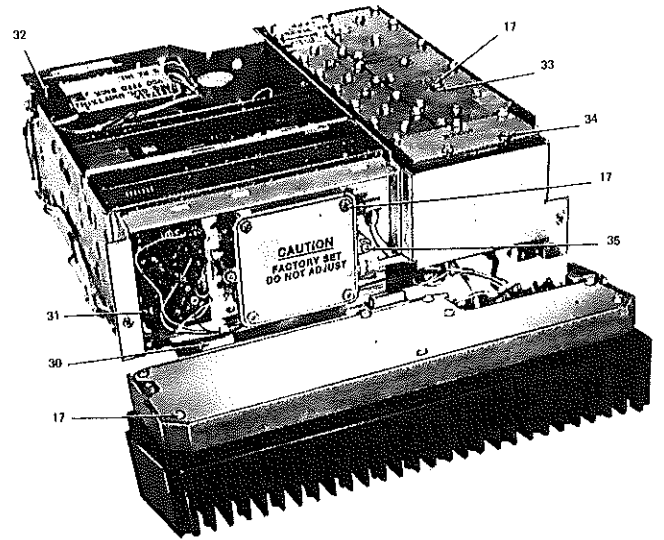
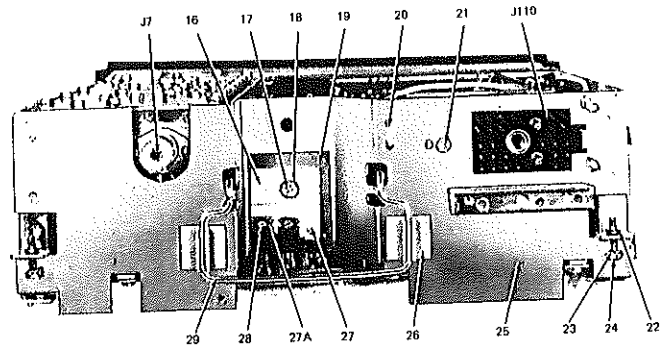
UHF PULSAR Radiotelephone

Parts Lists

Models T1830AA, AC, AE, AF, AG, AH, AL, BA, BC, BE, BF, BG, BH; T1831AA, AC, AE, AF, AG, AH, AL, BA, BC; T1831BE, BF, BG, BH; T1833A, C, E, F, G, H, AA, AC, AE, AF, AG, AH, AL; T1834AH, AE, AL, BE, BH; T1835AE, AH, AL; T1835BE, BH, T1836AE; AH, AL, E, H; T1837A; T1838A; T1839A; T1843AA, AE; T1843AL.

MECHANICAL PARTS LIST

REF. SYMBOL	PART NO.	DESCRIPTION
1	3-139000	Screw, machine: 10-32 x 1/8" (2 used)
2	3-7292	Screw, machine: 6-32 x 1/4"
3	15-82333L01	Cover, program
4	42-82234G01	Ring, cord
5	3-84901K02	Screw, machine: 10-32 x 3/8" (4 used)
6	54-82670L01	Decal
7	15-84161K01	Cover, top
8	45-84166K01	Plunger, lock
9	41-84167K01	Spring, compression lock
10	42-10219A15	Retaining, ring
10A	4-136267	Washer, flat
11	26-84199K01	Heatsink
12	15-84163K01	Cover, bottom
13	45-84162K01	Cam, lock
14	55-84298C01	Lock
15	75-84902K01	Gasket
16	7-83127F01	Bracket, heatsink
17	3-139611	Screw, tapping: 6-32 x 3/16" (11 used)
18	4-82345A01	Washer, shoulder
19	14-83232F01	Insulator
20	42-10217A02	Strap, cable
21	3-7247	Screw, tapping, 6-32 x 3/16"
22	42-10128A10	Ring, retainer: (4 used)
23	4-7652	Washer, external, #8
24	3-84972E01	Screw, retaining: 8-32 x 5/8" (2 used)
25	27-84204K01	Chassis
26	42-10347A09	Clip, Hinge (2 used)
27	3-1921	Screw, machine: 2-56 x 1/8"
27A	4-844093	Washer, shoulder
28	3-490352	Screw, machine; 2-56 x 3/32" (2 used)
29	7-84205K01	Bracket, card puller
30	55-84203K01	Hinge, P.A. (2 used)
31	3-139506	Screw, tapping: 4-40 x 5/16"
32	75-83304F01	Shockmount, crystal oscillator
33	4-861570	Washer, insulator
34	3-136850	Screw, tapping, 6-32 x 1/2" (31 used)
35	3-135446	Screw, tapping, 6-32 x 7/8" (2 used)
36	01-80745B08	Front plug connector only
37	1-80788B79	UHF Plug Assy—P/O Triselector

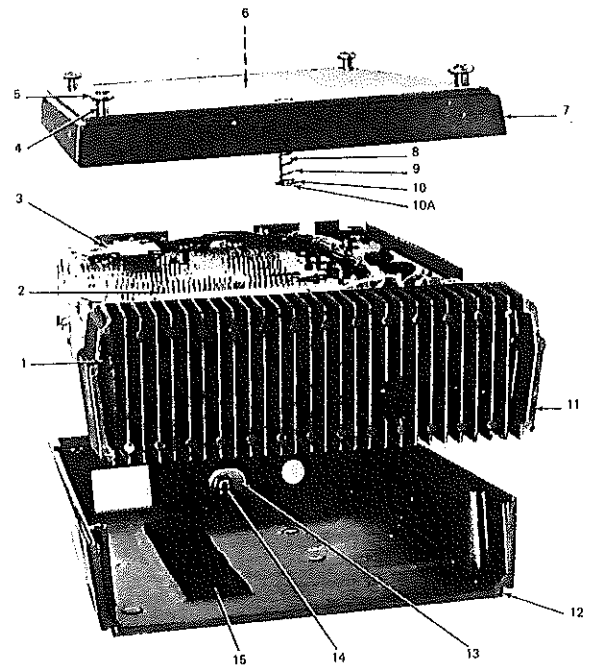


NON REFERENCED ITEMS

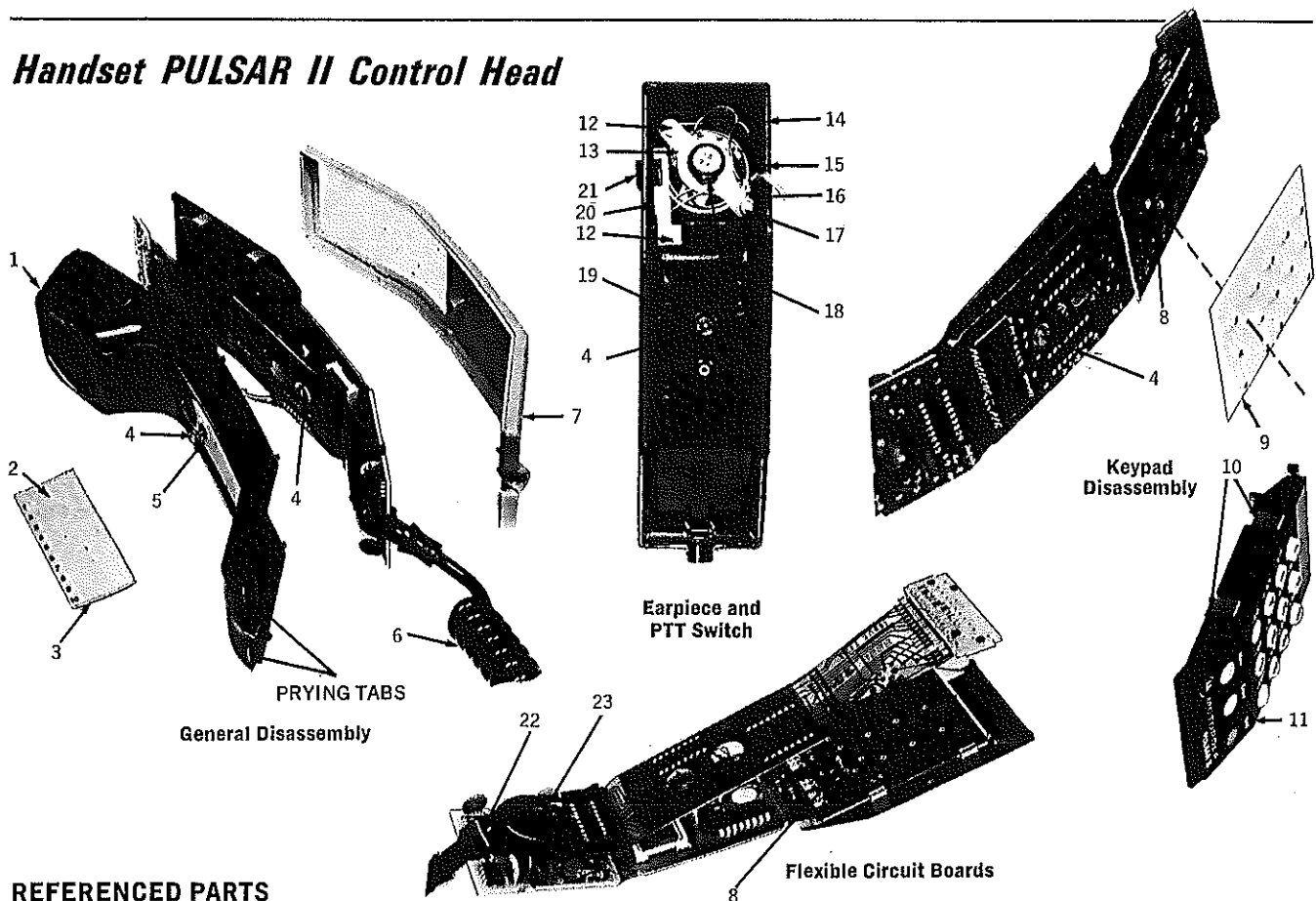
PART NO.	DESCRIPTION
1-80789B57	Program Lead—Brn
1-80789B58	Program Lead—Red
1-80789B59	Program Lead—Org
1-80789B60	Program Lead—Yel
1-80789B61	Program Lead—Grn
1-80789B62	Program Lead—Blu
1-80789B63	Program Lead—Vio
28-82365D01	Phono Plug, P/O Triselector—P4
9-84886E01	Connector—RF 90° on Triselector—P6
TKN-6849A	Front Plug cable kit w/ heads, plate, caps, wires and sockets
4-119331	Lockwasher .250"
3-129278	Mounting Screw—#14-10 x 1"

TRN-6522A MOUNTING TRAY (NOT SHOWN)

PART NO.	DESCRIPTION
4-490124	Flat Washer (12 used)
5-7775	Rivet—.088 x 3/32" Oval (4 used)
5-131166	Rivet—.088 x 3/8" Oval (8 used)
7-84169K01	Mounting Tray
43-82648L01	Spacer Ft. (8 used)
43-82649L01	Spacer, Rubber (8 used)
43-82650L01	Spacer, Nylon Lock
43-82651L01	Spacer, Rubber used w/ 43-82650L01



Handset PULSAR II Control Head



REFERENCED PARTS

ITEM NO.	MOTOROLA PART NUMBER	DESCRIPTION	ITEM NO.	MOTOROLA PART NUMBER	DESCRIPTION
1	15-84745K01	Housing, handset, bottom	14	43-82464L02	Spacer; 17.0 mm long
2	54-82327L01	Label, phone number directory	15	43-82464L01	Spacer; 69.0 mm long
3	26-84753K01	Shield, directory	16	42-10217A18	Strap, cable
4	3-82926L01	Screw, captive	17	3-136886	Screw, machine; 4-40x3/8"
5	4-114583	Washer, lock; #4	18	50-82225L01	Speaker, 8 ohms
6	30-84907K01	Cord, retractile	19	4-1718	Washer, flat; .109-.250-.025
7	15-84744K01	Housing, handset, top	20	7-84752K01	Bracket, switch (TLN1846A & TLN1848A only)
8	65-138555	Lamp, miniature; .06 amp. 5 V	21	38-84751K01	Button, push PTT (TLN1846A & TLN1848A only)
9	45-82017L01	Actuator	22	42-82465L01	Clip, coil cord
10	42-82436L01	Clip; .250" x .325"	23	59-84640E01	Cartridge, microphone
11	15-84746K01	Housing, keyboard			
12	3-82227A04	Screw, machine; 4-40x1/4"			
13	42-82325L01	Clip, speaker			

NON-REFERENCED KEYPAD PARTS

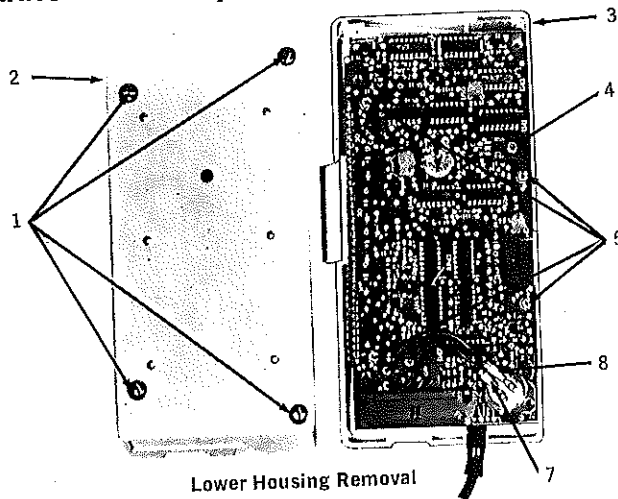
MOTOROLA PART NUMBER	DESCRIPTION	MOTOROLA PART NUMBER	DESCRIPTION	MOTOROLA PART NUMBER	DESCRIPTION
15-84746K01	Hsng Kybd	38-84749K08	PB Numbered 8	45-82018L01	Actr Keyboard
38-84749K01	PB Numbered 1	38-84749K09	PB Numbered 9	61-84747K01	Lt Pipe (P/O Keypad)
38-84749K02	PB Numbered 2	38-84749K10	PB Numbered 0		
38-84749K03	PB Numbered 3	38-84749K11	PB Numbered Blank	65-138555	Lamp Mintr Incand
38-84749K04	PB Numbered 4				
38-84749K05	PB Numbered 5	38-84750K01	PB Plain	84-84772K01	Bd Ckt Kybd
38-84749K06	PB Numbered 6	38-84750K02	PB Plain	TRN-6699A	Keypad Assembly
38-84749K07	PB Numbered 7	42-82436L01	Clip		

CAUTION

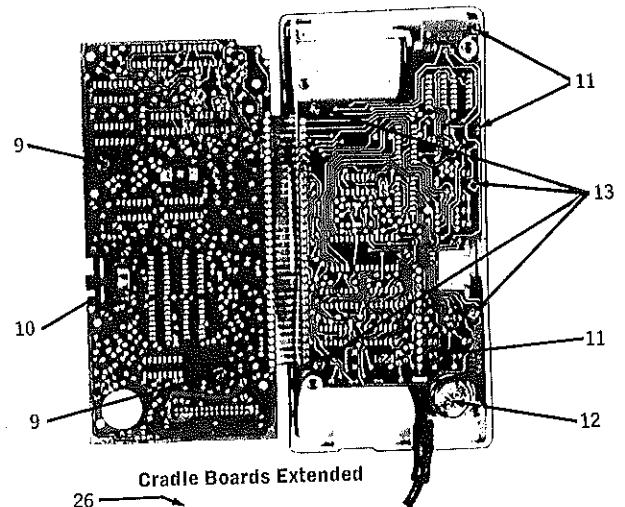
THESE CIRCUIT BOARDS CONTAIN CMOS DEVICES; SPECIAL HANDLING PROCEDURES **MUST** BE OBSERVED. REFER TO "SAFE HANDLING OF CMOS INTEGRATED CIRCUIT DEVICES" IN GENERAL DATA SECTION FOR DETAILS.

PULSAR II Control Heads

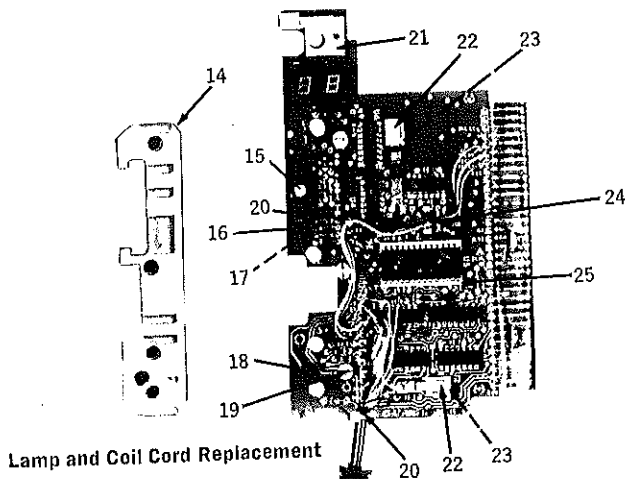
Cradle Assembly



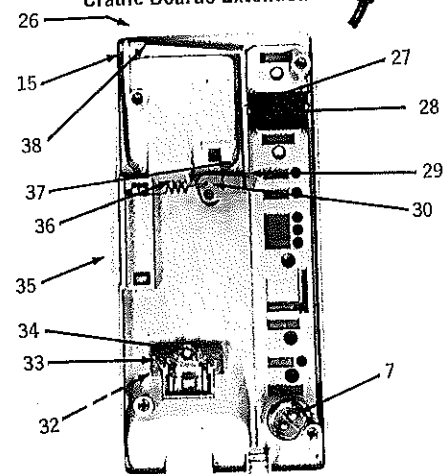
Lower Housing Removal



Cradle Boards Extended

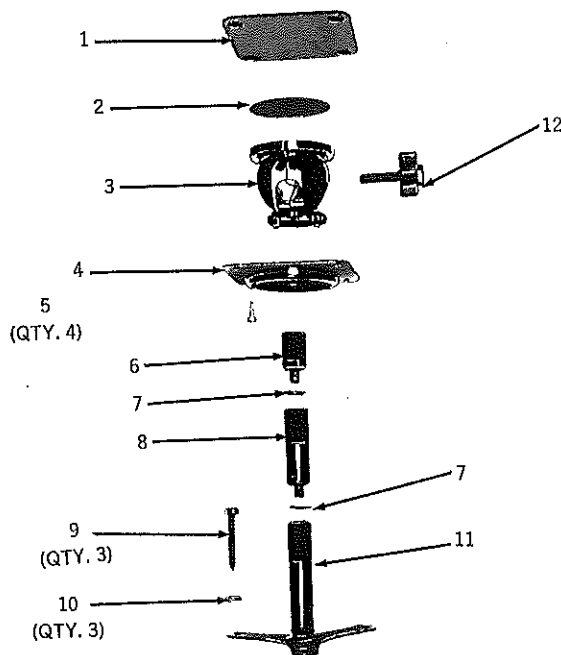


Lamp and Coil Cord Replacement



Hang-up Locking Mechanism

Deluxe (Universal) Mounting Bracket TLN-5908A



PARTS LIST

ITEM NO.	MOTOROLA PART NO.	DESCRIPTION
1	64-83107L01	Backing Plate
2	43-83106L01	Rubber Spacer
3	43-83108L01	Housing Ball
4	7-83105L01	Frame
5	3-135097	Screw, machine 6-32 x 3/8"
6	47-83104L01	Rod, extender; 25.5 mm long
7	4-139757	Washer, lock; 5/16"
8	47-83104L02	Rod, extender; 51.04 mm long
9	3-139699	Screw, tapping; 1/4-14 x 1 1/2"
10	4-136658	Washer, lock; 1/4"
11	7-83196L01	Bracket
12	36-83215L01	Knob

ITEM NO.	MOTOROLA PART NUMBER	DESCRIPTION	MOTOROLA PART NUMBER	DESCRIPTION
1	3-82899K01	Screw, machine; 6-32x1/2"	1-80791B43	Circuit Board Assembly includes:
2	15-84755K01	Housing, cradle; bottom	3-2902	Screw, machine; 2-56x3/16"
3	15-84754K01	Housing, cradle; top	4-2625	Washer, lock; #2 (internal tooth)
4	3-120621	Screw, machine; 4-40x1/4"	14-82748L01	Insulator; 2 used
5	3-82227A04	Screw, tapping; #4-40x1/4"	39-10184A30	Contact, plug; 30 used
6	28-82471L01	Plug, connector	43-82185L01	Bushing, threaded; 4 used
7	40-82062L01	Switch, lock w/o key	61-82546L01	Light Pipe, white; 1.132" lg. Switches (S6 & S7)
8	9-82417L01	Receptacle, pin	1-80792B25	Switch Assembly, short; includes:
9	2-1365	Nut, hex; 4-40x1/4x3/32"	38-84756K01	Pushbutton, control switch 2
10	36-84757K01	Knob, volume control	1-80792B26	Switch Assembly, long; 3 used (TRN6696A, TRN6788A)
11	3-2902	Screw, machine; 2-56x3/16"	1-80792B26	Switch Assembly, long; 4 used (TRN6697A, TRN6789A) includes:
12	40-82062L01	Switch, lock		Push Button, control
13	43-82185L01	Bushing, threaded	38-84756K02	Switches (S1, S2, S3, or S4) TRN6696A, TRN6788A)
14	61-84763K01	Light Pipe; 5 hole		Switches (S1, S2, S3, S4, or S5) (TRN6697A, TRN6789A)
15	3-139666	Screw, tapping; 4-20x5/16"		
16	26-82528L01	Shield, light 1.418"	3-2902	Screw, machine; 2-56x3/16"; 2 used
17	43-84768K01	Spacer 1.417"	3-134168	Screw, tapping; 4-40x1/4"; 4 used
18	26-82529L01	Shield, light .268"	3-139666	Screw, tapping; 4-20x5/16"
19	43-82184L01	Spacer; .275" ID	4-2625	Washer, lock; #2 (internal); 2 used
20	42-10217A02	Ty-Wrap	9-82457L02	Socket, 14-contact; 2 used
21	61-82546L01	Light Pipe; 2 hole	9-84881F02	Socket, 28-contact
22	38-82182L01	Button, push, ring enable	26-82528L01	Shield, light; 1.418" lg.
23	42-82181L01	Retainer	26-82529L01	Shield, light; .620x.268"
24	37-10667A07	Tubing, vinyl; 5/8" clear	36-84757K01	Knob, 1.181" dia. (TRN6697A, TRN6789A)
25	9-84481F02	Socket, IC; 28 contact	38-82182L01	Pushbutton, ring enable
26	15-84754K01	Housing, cradle; top	42-82181L01	Retainer; .442x.335"; (2 used in TRN6696A, TRN6788A); (1 used in TRN6697A, TRN6789A)
27	47-84759K01	Rod, push		Spacer, lamp; .268" dia.; 3 used
28	61-82415L01	Lens	43-84768K01	Spacer, lamp; 1.693" lg.
29	45-84769K01	Arm, activating	61-84763K01	Light Pipe, white; 5.206" lg.
30	3-134168	Screw, tapping; #4-40x1/4"	1-80791B16	Keyswitch Wiring Assembly includes:
31	41-82186L01	Spring, hangup button	9-82417L01	Lug, 2 used
32	38-82183L01	Button, push, hangup	10-134302	16 Ga. stranded wire
33	41-83357L01	Spring, helper	37-132026	Heat shrink tubing
34	2-10101A56	Nut, spring	55-82131L01	Key
35	38-84758K01	Button, push; hangup	42-82504K01	Ring, Mounting
36	41-84766K01	Spring, hangup button	37-132526	Strap, cable harness
37	41-82631L01	Spring	29-83167C01	Terminal, strain relief
38	45-84762K01	Arm, locking	35-82438L01	Grille, cloth

NON-REFERENCED ITEMS

MOTOROLA PART NUMBER	DESCRIPTION
1-80791B16	Wire & Plug Assembly (2 used) includes:
9-82417L01	Contact, receptacle
30-139240	Wire, White/Green, 6"
30-139224	Wire, Black, 6"
30-139225	Wire, Red, 6"
30-139238	Wire, Brown/Yellow, 6"
1-80791B20	Circuit Board Assembly (TRN6696A, TRN6788A) includes:
2-1365	Nut, hex; 4-40x1/4x3/32"
3-120621	Screw, machine; 4-40x1/4"
4-114582	Washer, lock; #4 (split)
4-114970	Washer, flat; .125x.250x.020" Transistor (Q43)
1-80791B21	Circuit Board Assembly (TRN6697A, TRN6789A) includes:
2-1365	Nut, hex; 4-40x1/4x3/32"; 2 used
3-120621	Screw, machine; 4-40x1/4"; 2 used
4-114582	Washer, lock, #4 (split); 2 used
4-114970	Washer, flat; .125x.250x.020"; 2 used
	Transistors (Q43 & Q49)

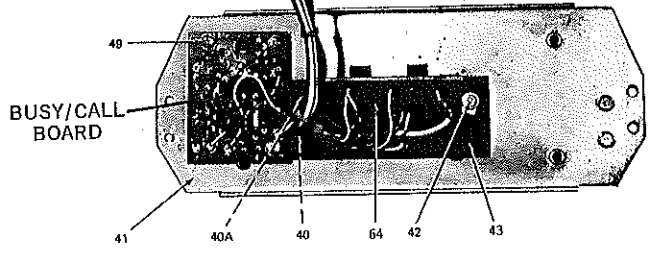
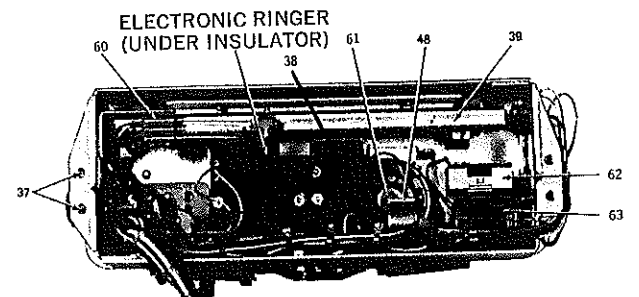
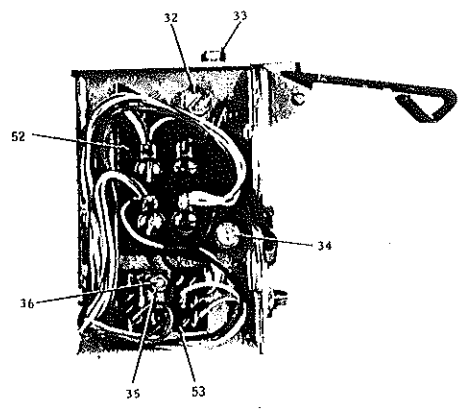
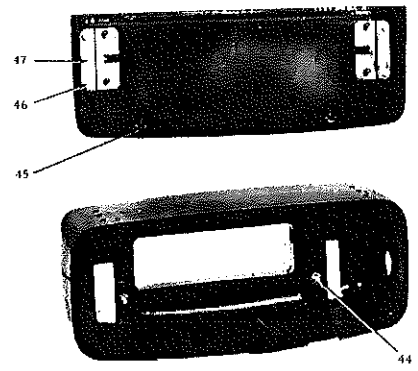
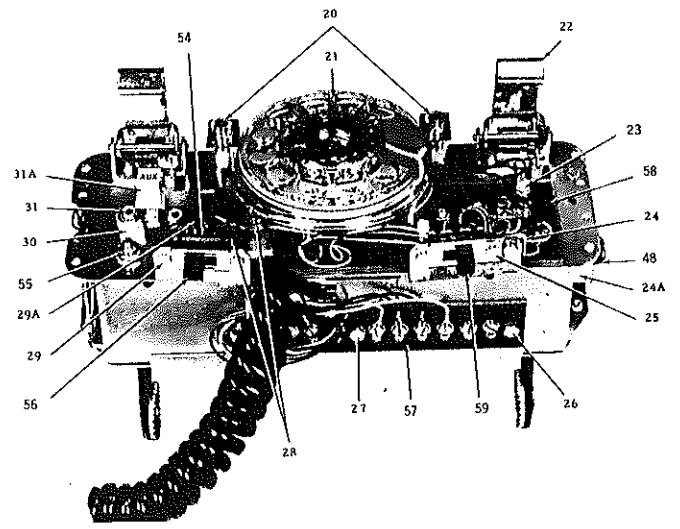
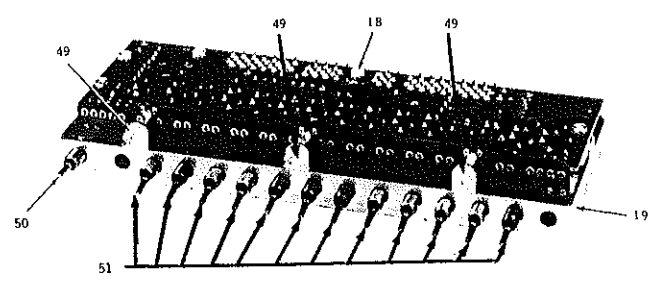
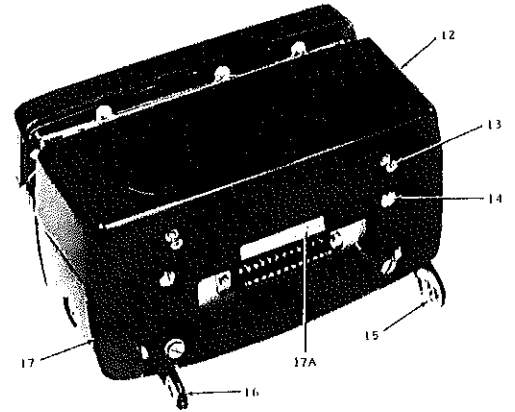
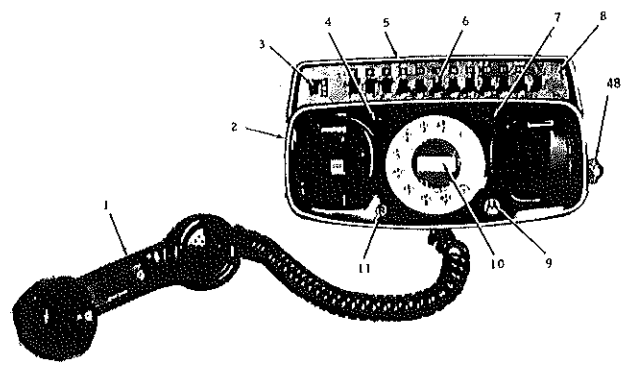
9-82417L01	Lug, 2 used
10-134302	16 Ga. stranded wire
37-132026	Heat shrink tubing
55-82131L01	Key
42-82504K01	Ring, Mounting
37-132526	Strap, cable harness
29-83167C01	Terminal, strain relief
35-82438L01	Grille, cloth
4-139097	Washer, lock; #6; 4 used
4-139104	Washer, flat; .145-.312-.027"; 4 used
5-82324L01	Grommet, cartridge
9-82457L01	Socket, IC, 28 contact
41-83523L01	Spring, helper, leaf
14-84140L01	Insulator, board
4-2625	Washer, lock; #2; 2 used
9-82457L02	Socket, IC, 14 contact; 2 used
38-84756K01	Button, push, control; short
38-84756K02	Button, push, control; long; 4 used (Deluxe models)
38-84756K02	Button, push, control, long; 3 used (Standard models)

CAUTION

THESE CIRCUIT BOARDS CONTAIN CMOS DEVICES; SPECIAL HANDLING PROCEDURES **MUST** BE OBSERVED. REFER TO "SAFE HANDLING OF CMOS INTEGRATED CIRCUIT DEVICES" IN GENERAL DATA SECTION FOR DETAILS.

PULSAR Control Heads

IMTS



MECHANICAL PARTS LIST

REF. SYMBOL	PART NO.	DESCRIPTION
1	TMN-6107A or TMN-6108A or TMN-6105A or TMN-6125A or TMN-6126A or TMN-6094A or TMN-6131A or TMN-6122A or TMN-6123A	Handset, blk (Motorola) Handset, beige (Motorola) Handset, blk (Bell System) Handset, blk (GTE) Handset, beige (GTE) Handset, blk (Bell System) Handset, beige (Bell System) Handset, blk (Bell System—Motorola) Handset, beige (Bell System—Motorola)
2	1-80767B91 or 1-80767B93 or 1-80767B92 or 1-80767B94 or 1-80793B47 or 1-80793B48	Front Housing, blk (Bell System) Front Housing, beige (Bell System) Front Housing, blk (Motorola) Front Housing, beige (Motorola) Front Housing, blk (GTE) Front Housing, beige (GTE)
3	45-82407K02	Lever, actuator
4	61-83906H06	Window, red
5	15-82363K01 or 15-82363K03	Housing, front; blk Housing, front; beige
6	45-82407K01	Lever, actuator
7	61-83906H02	Window, green
8	1-80769B25 or 1-80769B26 or 1-80769B27	Escutcheon, 11 channel VHF (Bell System, GTE, & Motorola) Escutcheon, 12 channel UHF (Bell System) Escutcheon, 12 channel UHF (Motorola)
9	38-83985H01 or 38-83985H02 or 38-83985H03	Button, emblem (Motorola) Button, emblem (Bell System) Button, emblem (GTE)
10	54-84179F01	Card, dial
11	61-83901W03	Window, yellow
12	15-82364K01 or 15-82364K02	Housing, rear; blk Housing, rear; beige
13	3-82899K01	Screw, captivated 6-32 x 1/2"
14	3-83927H01	Screw, special plated
15	7-83951H01	Bracket, left
16	7-83951H02	Bracket, right
17	15-82064K01 or 15-82064K02	Housing, rear; blk Housing, rear; beige
17A	33-83905H03 or 33-83905H04 or 33-83983H01	Nameplate (VHF Bell System) Nameplate (UHF Bell System) Nameplate (Motorola)
18	3-134168	Screw, tapping 4-40 x 1/4"
19	27-82365K01	Chassis
20	1-80788A20	Lampsocket Assembly
21	72-83969H01 or 72-83978H01	Dial, control head (Motorola) Dial, control head (Bell System)
22	1-80788A21	Hang-Up Bracket Assembly includes: 42-83946H01 Clamp, hang-up 7-83954H01 Bracket, hang-up 47-83920H01 Shaft 41-83928H01 Spring 42-10219A10 Retainer, C-ring
23	3-82227A04	Screw, 4-40 x 1/4"
24	7-82479K01	Bracket, Party Switch mounting (Motorola only)
24A	43-83914H01	Spacer, plated
25	3-122897	Screw, machine; 4-40 x 1/4"
26	3-122921	Screw, machine; 6-32 x 3/16"
27	3-122931	Screw, machine; 6-32 x 3/16"
28	1-80754B28	Lamp and Bracket Assembly (DS3, DS4)
29	3-122897	Screw, machine; 4-40 x 1/4"
29A	37-109120	Grommet, rubber
30	42-82114B01	Clamp, cable
31	3-122318	Screw, machine; 6-32 x 3/16" pln Hex.
31A	1-80788A23	Pushbutton Assembly; includes: 38-83944H01 Button, push (AUX) 42-83982H01 Clip
32	3-83908H01	Screw; pivot
33	3-122318	Screw; 6-32 x 3/16"
34	3-82227A04	Screw; 4-40 x 1/4"
35	2-8354	Nut; 3-48 x 3/16" x 3/32"
36	3-1920	Screw; 3-48 x 1/4"
37	3-131281	Screw; 6-32 x 3/16" pln. Hex.
38	43-83912H01	Spacer; (2 req'd.)

REF. SYMBOL	PART NO.	DESCRIPTION
39	1-80788A18	Latch Bar Assembly includes: 64-83950H01 Plate latch 38-83923H01 Hookswitch actuator 45-84187C01 Lever; 2 req'd. 3-82227A02 Screw special; 3 req'd. 4-7607 Washer 0.125 x 0.281 x .0273; 3 req'd.
40	42-82143C02	Clamp, cable
40A	43-80195	Bushing
41	64-83937H01	Plate, rear dial chassis
42	2-9627	Nut, 4-40 x 3/16" x 3/32"
43	29-5293	Lug
44	42-10219A18	Retainer, C-ring
45	42-10219A30	Retainer
46	3-129954	Screw, 4-40 x 3/8" pln. Hex
47	7-82410K01	Bracket, mounting
48	40-83987H01	Lockswitch, Inc 55-82000H02, S1
49	65-82664K01	Lamp DS1, same as DS2 & 3
50	40-82408K02	Switch, RMH Toggle S6
51	40-82408K01	Channel Select Switch, S7-S18
52	31-83916H01	Term Brd, 4 Term TB4
53	9-82969F02	Socket, Relay, 6 pin XK1
54	6-125A22	Resistor, 75 ohm 1/2W, 5%
55	18-83930D08	Potentiometer, 10K R1
56	40-83972H01	Switch, Dimmer S2
57	31-82063K01	Term Brd., 9 Term TB2
58	31-83949H01	Term Brd., 7 Term TB3
59	40-840806	Switch, Momentary, Sld, S4
60	40-83977H01	Switch, Hook, Open Leaf S3
61	50-82225L01	Speaker, 8 ohm LS1
62	40-83970H01	Push Switch, Aux S5
63	80-84157B01	Relay, Reed 13.4V K1
64	28-863762	Connector, Plug J3

TLN-4026A INSTALLATION KIT

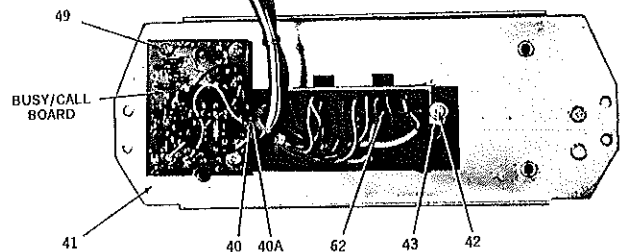
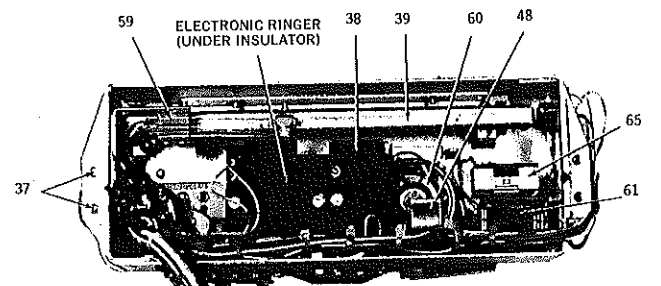
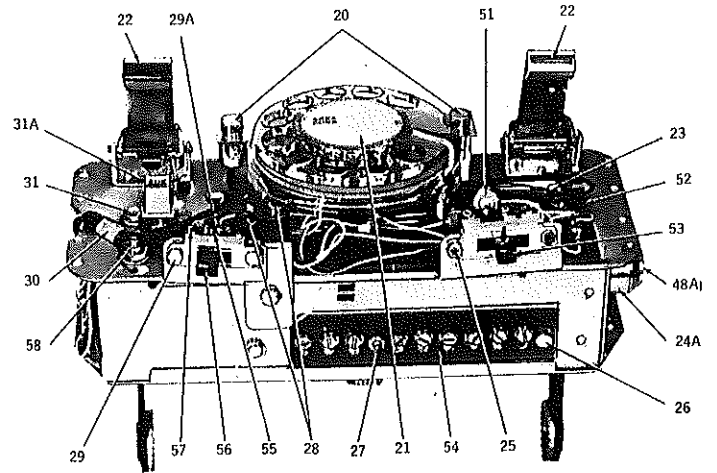
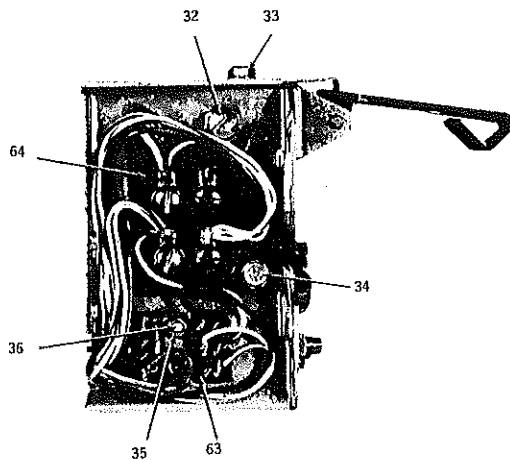
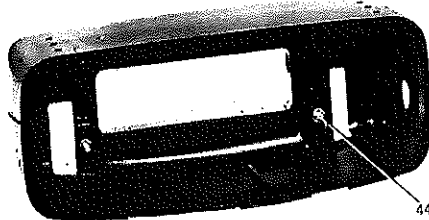
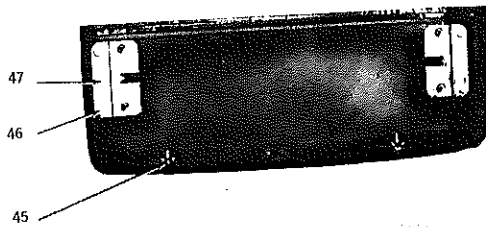
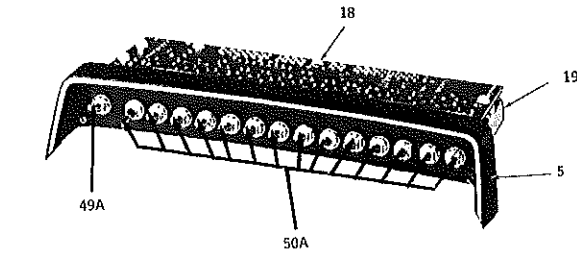
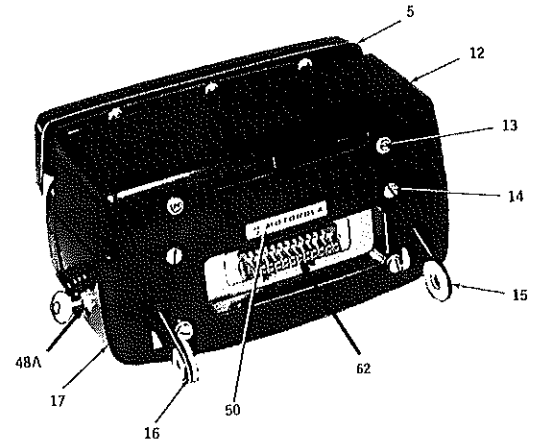
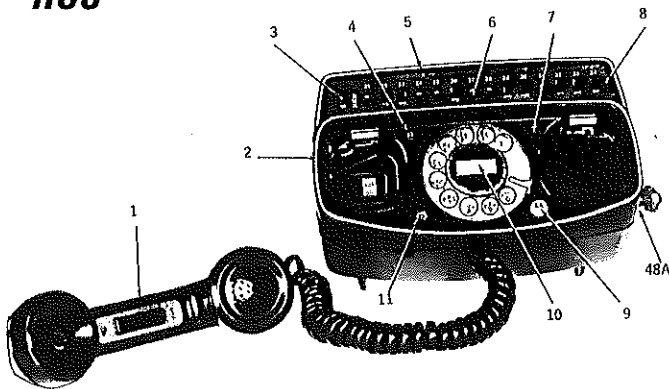
7-83938H01	Bracket, mounting
02-7048	Nut, 10-32 x 3/8 x 1/8 Hex Stl Cad (4 supplied)
03-115727	Mch, Screw 10-32 x 1/2 Pln Hex Stl (4 supplied)
03-135959	Tapping Screw #10-12 x 1/2 (2 supplied)
04-135467	Flat Washer .203-.260-.033 Stl Cad (4 supplied)

NON-REFERENCED ITEMS

80-82101K01	Relay Covered 12V, on Dial Chassis K2
9-83497F02	Connector Recept, 20 Cont. J1 & J2
80-84157B02	Relay, Reed, TRN-6030A K3
	Handset, telephone (with 6-wire coiled cord)
50-82904E01	Blk/Decor (TMN-6105A)
or 50-82904E08	Blk/Decor (TMN-6105A)
50-82904E05	Beige/Decor (TMN-6106A)
or 50-82904E09	Beige/Decor (TMN-6106A)
50-83449A01	Blk/Decor (TMN-6107A, TMN-6125A, TMN-6122A)
or 50-83449A11	Blk/Decor (TMN-6107A, TMN-6125A, TMN-6122A)
50-83449A05	Beige/Decor (TMN-6108A, TMN-6125A, TMN-6123A)
or 50-83449A12	Beige/Decor (TMN-6108A, TMN-6126A, TMN-6123A)
50-83979H01	Blk/Decor (TMN-6094A)
or 50-83979H06	Blk/Decor (TMN-6094A)
50-83979H02	Beige/Decor (TMN-6131A)
or 50-83979H07	Beige/Decor (TMN-6131A)
13-84276F03	Escutcheon (TMN-6105A, TMN-6106A, TMN-6122A, TMN-6123A)
13-84276F02	Escutcheon (TMN-6107A, TMN-6108A)
13-84276F04	Escutcheon (TMN-6125A, TMN-6126A)
13-84278F01	Bezel
5-83885G03	Rivet; (2 req'd.)

PULSAR Control Heads

RCC



MECHANICAL PARTS LIST

REF. SYMBOL	PART NO.	DESCRIPTION
*1	TMN6107A or TMN6108A or TMN6109A or TMN6110A	Handset, Blk Handset, Beige Handset, Blk (with notch filter) Handset, Beige (with notch filter)
2	1-80767B92 or 1-80767B94	Front Housing (Blk) Front Housing (Beige)
3	45-82407K02	Lever, actuator
4	61-83906H06	Window (Red)
5	15-82363K01 or 15-82363K02	Housing, front; Blk Housing, front; Beige
6	45-82407K01	Lever, actuator (14 req'd.)
7	61-83906H02	Window (Green)
8	1-80769B28 or 1-80769B29	Escutcheon, 7 channel (Decor) Escutcheon, 14 channel (Decor)
9	38-83985H01	Button, emblem
10	54-84179F01	Card, dial
11	61-83906H03	Window (Yellow)
12	15-82364K01 or 15-82364K02	Housing, rear; Blk Housing, rear; Beige
13	3-82899K01	Screw, captivated 6-32 x 1/2"
14	3-83927H01	Screw, special plated
15	7-83951H01	Bracket, left
16	7-83951H02	Bracket, right
17	15-82064K06 or 15-82064K07	Housing, rear; Blk Housing, rear; Beige
18	3-134168	Screw, tapping 4-40 x 1/4"
19	27-82365K01	Chassis
20	1-80788A20	Lampsocket Assembly
21	72-83969H01	Dial, control head
22	1-80788A21	Hang-Up Bracket Assembly includes: 42-83946H01 Clamp, hang-up 7-83954H01 Bracket, hang-up 47-83920H01 Shaft 41-83928H01 Spring 42-10219A10 Retainer, C-ring
23	3-82227A04	Screw, 4-40 x 1/4"
24A	43-83914H01	Spacer, plated
25	3-122897	Screw, machine; 4-40 x 1/4"
26	3-122921	Screw, machine; 6-32 x 5/16"
27	3-122931	Screw, machine; 6-32 x 7/16"
28	1-80754B28	Lamp and Bracket Assembly (DS3, DS4)
29	3-122897	Screw, machine; 4-40 x 1/4"
29A	37-109120	Grommet, rubber
30	42-82114B01	Clamp, cable
31	3-122318	Screw, machine; 6-32 x 5/16" pln Hex.
31A	1-80788A23	Pushbutton Assembly: includes: 38-83944H01 Button, push (Aux) 42-83982H01 Clip
32	3-83908H01	Screw; pivot
33	3-122318	Screw; 6-32 x 5/16"
34	3-82227A04	Screw; 4-40 x 1/4"
35	2-8354	Nut; 3-48 x 3/16" x 3/32"
36	3-1920	Screw; 3-48 x 1/4"
37	3-131281	Screw; 6-32 x 3/8" pln Hex.
38	14-83347L01	Insulator
39	1-80788A18	Latch Bar Assembly includes: 64-83950H01 Plate latch 38-83923H01 Hookswitch actuator 45-84187C01 Lever (2 req'd.) 3-82227A02 Screw special (3 req'd.) 4-7607 Washer 0.125 x 0.281 x .0273; 3 req'd.
40	42-82143C02	Clamp, cable
40A	43-80195	Bushing
41	1-80765B33	Plate, rear dial chassis (staked)
42	2-9627	Nut, 4-40 x 3/16" x 3/32"
43	29-5293	Lug
44	42-10219A18	Retainer, C-ring
45	42-10219A30	Retainer, E-ring
46	3-129954	Screw, 4-40 x 3/16" pln Hex.
47	7-82410K01	Bracket, mounting
48	7-83140K01	Bracket
48A	40-83987H01	Keypress S1

REF. SYMBOL	PART NO.	DESCRIPTION
49	3-129675	Screw, 4-40 x 1/4" Phil.
49A	40-82408K02	Switch, Toggle 3 Pos S6
50	33-83983H01	Nameplate
50A	40-82408K01	Switch Toggle S7-20 & S10-16
51	48-82525G01	Diode CR3
52	31-83949H01	Term Brd—7 Term TB3
53	40-84291D02	Switch, Slide 3 Pos S4
54	31-82063K01	Term Brd—9 Term TB2
55	6-125A22	Resistor 75 ohm 1/2 watt R3
56	40-83972H01	Switch, Dimmer S2
57	48-82466H13	Diode CR4
58	18-83930D08	Potentiometer—10K R1
59	40-83977H01	Hookswitch S3
60	50-82225L01	Speaker LS1
61	80-82101K01	Relay, Covered 12V K1
62	28-863762	Connentor, Plug J3
63	9-82969F02	Relay Socket, 6 Pin XK1
64	31-83916H01	Term Brd, 4 Term TB4
65	40-83970H01	Switch, Aux S5

CABLE CONNECTOR CLAMP KIT

PART NUMBER	DESCRIPTION
TRN6548A	Clamp Assembly

TLN4654A INSTALLATION KIT (MOUNTING)

7-84211D01	Bracket, mtg. (hinge) (2 req'd.)
7-84210D01	Bracket, mtg. (2 req'd.)
3-136682	Screw, 1/4"-20 x 3/4" (4 req'd.) Screw, 10-32 x 1/2"; incl.
3-115727	Ext. Lockwasher (4 req'd.)
2-7048	Nut, hex: 10-32 (4 req'd.)
4-135467	Washer, flat: #10 (4 req'd.)
3-135959	Screw, 10-32 x 1/2"; incl. Int/Ext Lockwasher (4 req'd.)

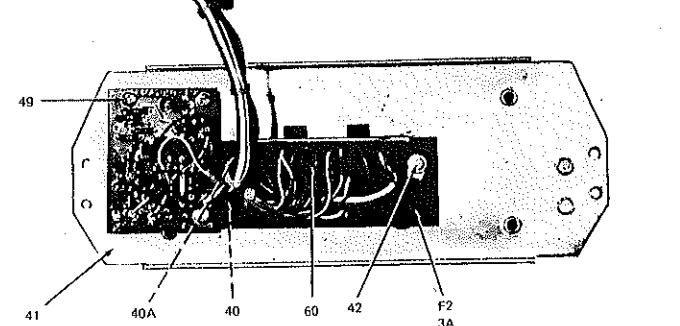
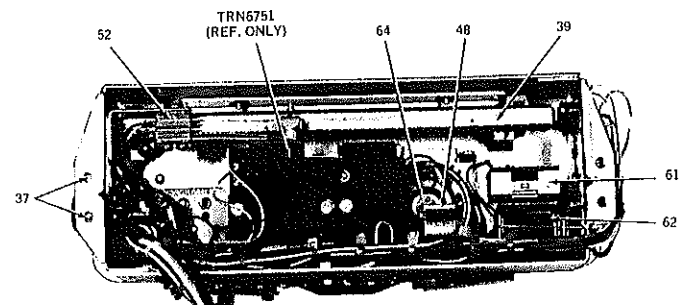
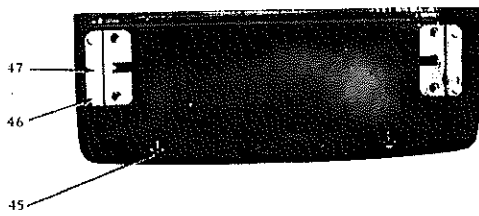
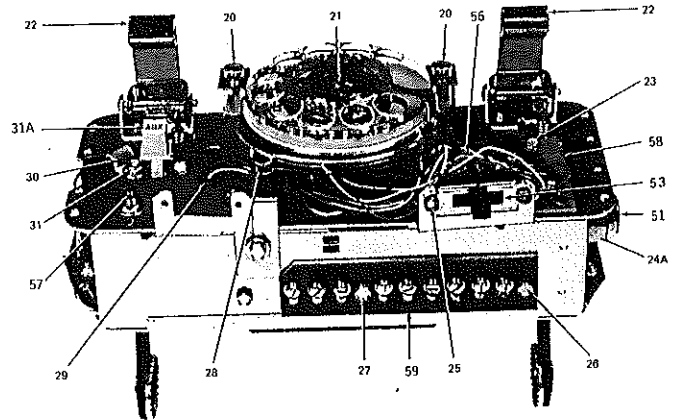
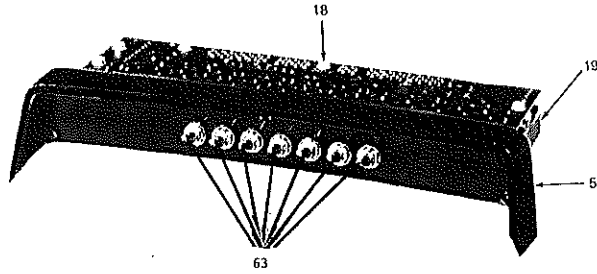
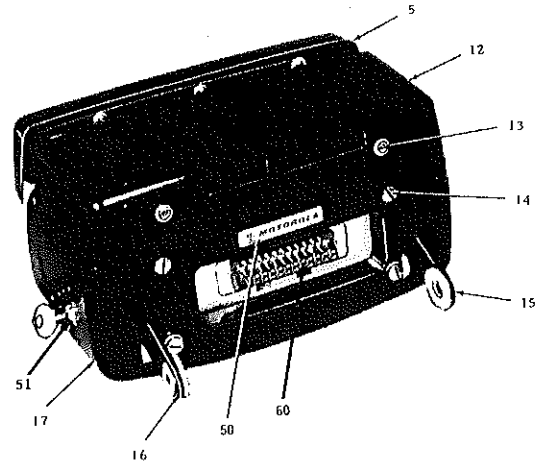
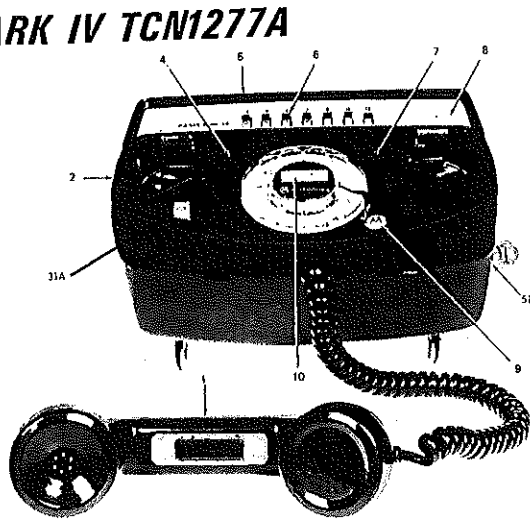
NON REFERENCED ITEMS

9-83497F02	Connector, Receptacle J1 & J2
80-84157B02	Reed Relay, Program Brd K3
46-84549E01	Polarizing Plug Program Brd
80-84157B01	Relay, Reed 13.4V Man, Cont Brd K1
28-83496F01	Connector Plug 8 Cont, Man Cont Brd
65-83974H01	Lamp, Indicator—DS1-4 14V
13-84276F02	Escutcheon Handset, All Handsets
13-84278F01	Bezel, Handset—TMN6107,08,09,10
50-83449A11	Handset, Black, 6 Wire Part of Item 1, TMN6107A & TMN6109A
50-83449A12	Handset, Beige, 6 Wire, Part of Item 1, TMN6108A & TMN6110A

*Handset Includes, RCVR, XMTR, Logo, Caps, Coil Cord, and Logo Bezel.

PULSAR Control Heads

MARK IV TCN1277A



MECHANICAL PARTS LIST

REF. SYMBOL	PART NO.	DESCRIPTION
*1	50-83449A01	Handset, blk
2	1-80798B05	Front Housing, blk
4	61-83906H06	Window (Red)
5	15-82363K01	Housing, front; blk
6	45-82407K01	Lever, actuator (7 req'd.)
7	61-83906H02	Window (Green)
8	13-82406K06	Escutcheon, 7 channel
9	38-83985H01	Button, emblem
10	54-84179F01	Card, dial
12	15-82364K01	Housing, rear; blk
13	3-82899K01	Screw, captivated 6-32 x 1/2"
14	3-83927H01	Screw, special plated
15	7-83951H01	Bracket, left
16	7-83951H02	Bracket, right
17	15-82064K06	Housing, rear; blk
18	3-134168	Screw, tapping 4-40 x 1/4"
19	27-82365K01	Chassis
20	1-80788A20	Lampsocket Assembly
21	72-83969H01	Dial, control head
22	1-80788A21	Hang-Up Bracket Assembly includes: 42-83946H01 Clamp, hang-up 7-83954H01 Bracket, hang-up 47-83920H01 Shaft 41-83928H01 Spring 42-10219A10 Retainer, C-ring
23	3-82227A04	Screw, 4-40 x 1/4"
24A	43-83914H01	Spacer, plated
25	3-122897	Screw, machine; 4-40 x 1/4"
26	3-122921	Screw, machine; 6-32 x 7/16"
27	3-122931	Screw, machine; 6-32 x 7/16"
28	1-80798B06	Lamp and Bracket Assembly (DS4)
29	37-109120	Grommet, rubber
30	42-82114B01	Clamp, cable
31	3-122318	Screw, machine; 6-32 x 3/16" pln Hex.
31A	1-80788A23	Pushbutton Assembly: includes: 38-83944H01 Button, push (Aux) 42-83982H01 Clip
32	3-83908H01	Screw; pivot
33	3-122318	Screw; 6-32 x 3/16"
34	3-82227A04	Screw; 4-40 x 1/4"
35	2-8354	Nut; 3-48 x 3/16" x 3/2"
36	3-1920	Screw; 3-48 x 1/4"
37	3-131281	Screw; 6-32 x 3/8" pln Hex.
38	43-83912H01	Spacer (2 req'd.)

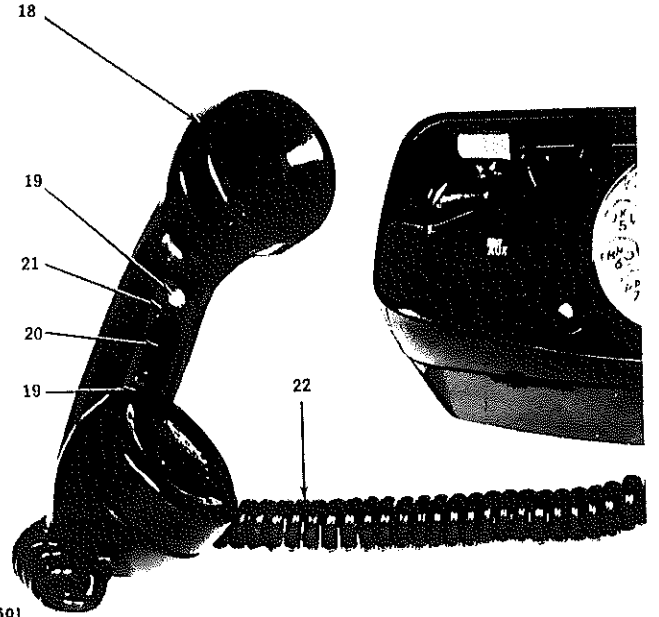
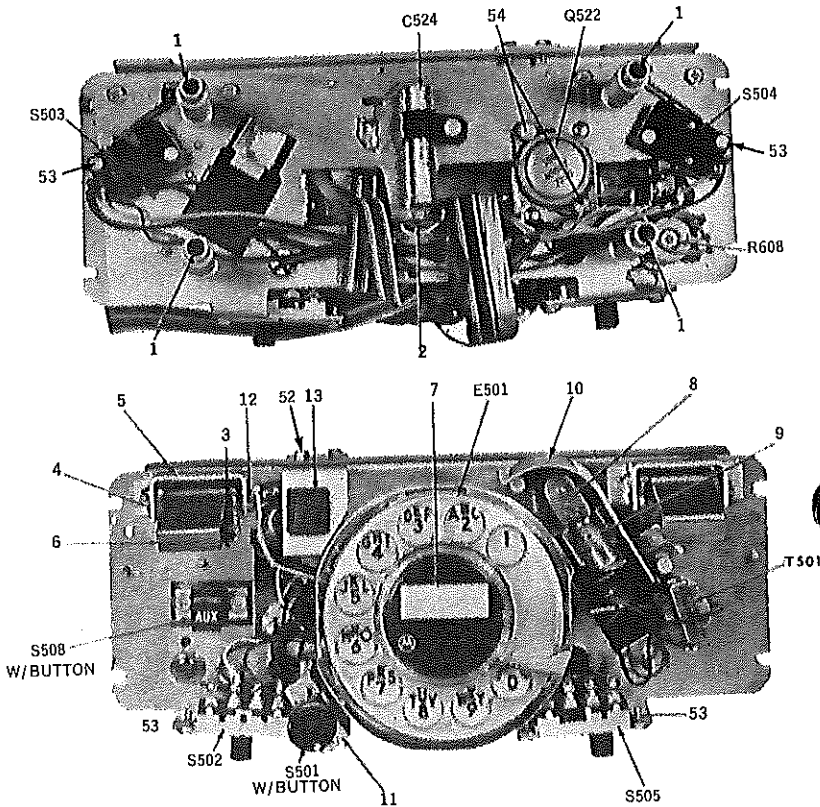
REF. SYMBOL	PART NO.	DESCRIPTION
39	1-80788A18	Latch Bar Assembly includes: 64-83950H01 Plate latch 38-83923H01 Hookswitch actuator 45-84187C01 Lever (2 req'd.) 3-82227A02 Screw special (3 req'd.) 4-7607 Washer 0.125 x 0.281 x .0273; (3 req'd.)
40	42-82143C02	Clamp, cable
40A	43-80195	Bushing
41	1-80765B33	Plate, rear dial chassis (staked)
42	2-9627	Nut, 4-40 x 3/8" x 3/8"
43	29-5293	Lug
44	42-10219A18	Retainer, C-ring
45	42-10219A30	Retainer, E-ring
46	3-129954	Screw, 4-40 x 3/8" pln Hex.
47	7-82410K01	Bracket, mounting
48	7-83140K01	Bracket
49	3-129675	Screw, 4-40 x 1/4" Phil.
50	33-83983H01	Nameplate
51	40-83987H01	Key Switch—Inc. Key S1
52	40-83977H01	Hookswitch S3
53	40-84291D02	Switch—Pty-Off-Stby S4
54	31-83916H01	Term Board TB4
55	9-82969F02	Relay Socket
56	48-82525G01	Diode CR3
57	18-83930D08	Potentiometer 10K (R1)
58	31-83949H01	Term Brd TB3
59	31-82063K01	Term Brd TB2
60	28-863762	Connector Plug J3
61	40-83970H01	Switch, "Aux" S5
62	80-82101K01	Relay, Covered K1
63	40-82408K01	Channel Sel Switches S10-S16
64	50-82225L01	Spkr—8 ohm, LS1

NON REFERENCED ITEMS

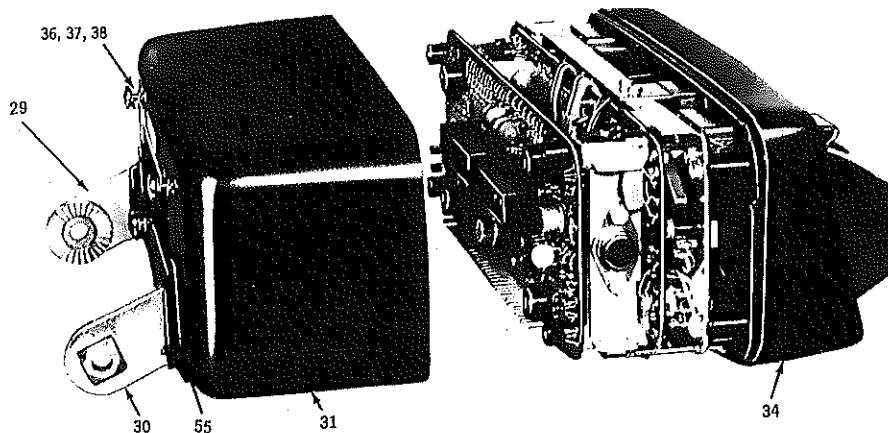
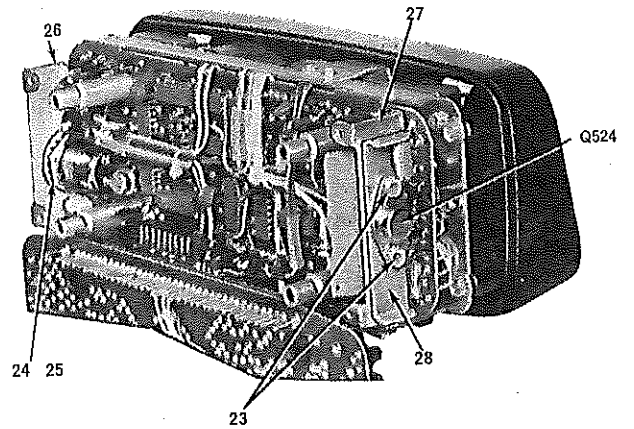
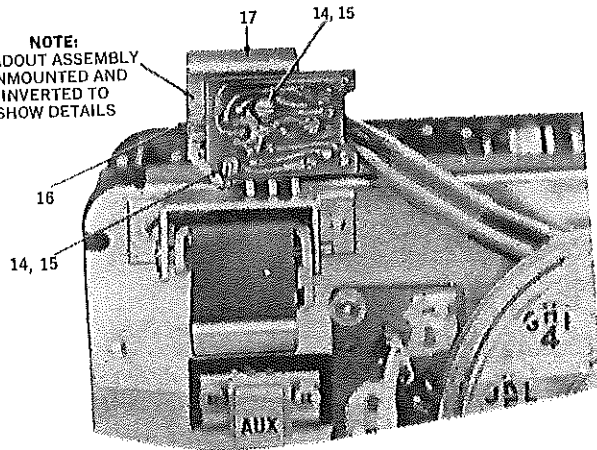
PART NUMBER	DESCRIPTION
65-83974H01	Lamp, Indicator, 14V DS 2 to 4
TLN-4026A	Mounting Kit
46-84549E01	Plug, Polarizing on Prog Cont Brd.
TRN-8009A	Esch Kit includes: 1 ea. 13-82406K06 esch (item 8) 1 ea. 61-82405K01 light pipe
1-80765B53	Backplate & Brackets Includes 1-80765B33
1-80767B88	Dial Chassis, Staked

*Handset Includes, Rcvr, Xmtr, Coil Cord, Logo, & Etc.

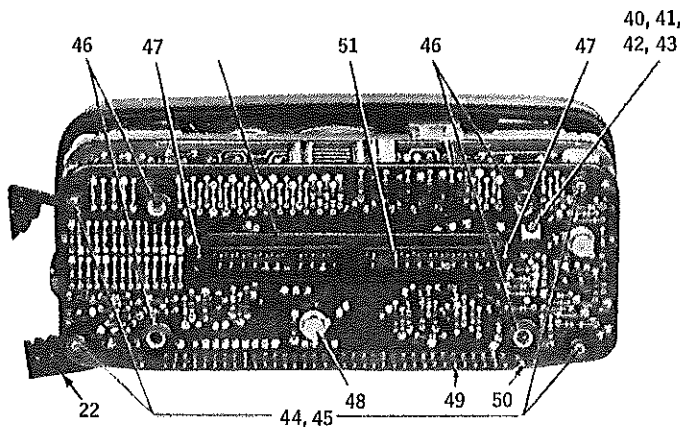
FACTS Control Heads



NOTE:
READOUT ASSEMBLY
UNMOUNTED AND
INVERTED TO
SHOW DETAILS



cont'd.



REF. NO.	PART NO.	DESCRIPTION
36	03-84221D01	Screw, machine (10-32 x 1/8" slotted binder head)
37	41-84220D01	Spring
38	05-3144	Eyelet
39	42-84232D01	Retainer (connector locating guide)
40	03-1937	Screw, machine (4-40 x 3/8" slotted round head)
41	04-851702	Washer, insulating (spacer)
42	04-848991	Washer, insulating
43	02-9627	Nut (4-40)
44	03-138162	Screw, tapping (4-40 x 3/8" "Phillips" round head)
45	42-84284B01	Retainer (screw captivator)
46	05-8424101	Grommet (rubber) (special type)
47	03-8158	Screw, tapping (4-24 x 1/4" "Phillips" pan head)
48	04-801846	Washer, insulating
49	29-84433D01	Terminal, male pin
50	22-84214D01	Pin, guide
51	29-84547B01	Pin, contact
52	03-134169	Screw, tapping (4-40 x 1/4")
53	03-8022	Screw, machine (4-40 x 1/4")
54	15-84223D02	Dust seal (right)
55	15-84223D01	Dust seal (left)

NON-REFERENCED ITEMS

PART NO.	DESCRIPTION
23-83210A15	Capacitor; (163 µF; 25 V) (C524)
48-869627	Transistor; (type M9627) (includes 14-865854 insulator and 9-84935D01 socket) (Q522)
18-83930D08	Potentiometer (10K) (R608)
40-84230D01	Switch, snap action (S503, 504)
72-83969H01	Dial, telephone (E501)
40-84293D01	Switch, (dpdt, spring return, and 38-84264D01 button) (S501)
40-84291D01	Switch, 3 pos slide (S502)
40-84291D02	Switch, slide (S505)
40-84293D02	Switch, dpdt and 38-84296D01 button "Aux" (S508)
25-84287G01	Isolation transformer (T501)
48-869225	Transistor; (type M9225) (Q524)
59-84058A01	Cartridge, receiver (E503)
59-84427D01	Cartridge, mic (E504)
42-84426D01	Holder, mic cartridge
13-84276F01	Escutcheon (Motorola)
13-84276F02	Escutcheon (Motorola Pulsar)
65-138555	Lamp, incandescent (DS501-508)
65-11854	Lamp, incandescent (DS509)
01-80740B01	Network, Hybrid, Ringer Module (E502)
01-80750B06	Filter, Notch (2805 Hz)
29-84547B01	Contact, male (40 req'd) pin J1 and J2)
42-84232D01	Retainer, Connector (pin J1 & J2)
40-83987H01	Lockswitch (w/2 keys) (S506)
55-82000H02	Key for Lockswitch, 40-83987H01
01-80724B20	Lampholder Assembly (for DS501 to DS508, XDS501 to XDS508)
09-863753	Transistor Socket (XQ522)
65-4165*	Fuse, 15A (@ 32 V; - F401, TKN-6475A)
65-52293*	Fuse, 5A (@ 250 V; F402, TKN-6475A)
14-84556B02*	Connector, plug (blue) (P2)
14-84556B01*	Connector, plug (black) (P3)
65-20404*	Fuse, 3 amp (@ 250 V, F21 TKN-6614A)
03-122810	Screw
03-840892	Screw, machine (8-32 x 3/8) (chassis hold down)
03-115613	Screw, machine (4-40 x 1/4") (interconnect mfg board)
04-129021	Lockwasher, on Keyswitch
09-863753	Transistor Socket (2 contact)
15-84236D01	Display Screen—digital readout
15-84227D01	Insulator (connect dust cover)
42-84284B01	Retainer, Screw Captivator
51-84312B52	Network Ringer
61-84212D01	Lens, Indicator (xmit)
65-138555	Lamp, digital readout (xmit dial)
59-813674	Relay, external

*Part of TKN-6475A and TKN-6614A Cable Kits.

IMTS Kits

PART NO.	DESCRIPTION
TLN-1443	Supervisory unit—contains full IMTS (1800/2000 Hz) signaling plus 2805 Hz dial encoder and decoder.
TLN-1442	Supervisory unit—contains a 2805 Hz dial encoder and a 2850 Hz decoder.
TLN-1034SP2	Supervisory unit—contains a full IMTS (1800/2000 Hz) signalling and 2805 Hz decoder only.
TAE-6052A	Antenna kit (450-470 MHz).
THN-6083A	Housing kit for (450 MHz)
TLN-8838A	Nameplate, Motorola. (33-83681H01) (450 MHz)
TKN-6475A	Cable kit (neg. grnd. for 150 MHz).
TAD-6113A	Antenna kit (152-162 MHz).
TLN-6889A	Nameplate, Motorola. (33-83006A01) (450 MHz)
HOUSING	
TLN-4002A	Mounting bracket.
TLN-4654A	Universal mtg. bracket for wider range positioning.

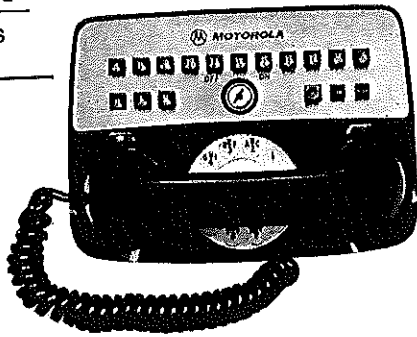
REF. NO.	PART NO.	DESCRIPTION
1	43-84219D01	Spacer
2	31-120585	Terminal Strip (2 lug)
3	41-84218D01	Spring, handset "hang-up" clamp
4	42-10219A10	Retainer ("C" washer)
5	07-84217D01	Bracket, handset "hang-up"
6	42-83946H01	Clamp, handset "hang-up"
7	54-84963D01	Insert, dial card
	54-84179F01	Insert, dial card (decor)
8	65-11854	Lamp (min 0.15 amp 6.3 V)
9	09-82778C02	Socket (pilot light)
10	26-84290D01	Reflector (light)
11	07-84292D01	Bracket, switch mounting
12	47-83920H01	Shaft, hinge
13	61-84486E01	Lens, readout
14	03-122810	Screw, machine (2-56 x 3/4" slotted round head)
15	04-861570	Washer, insulating
16	26-84239D01	Radiator (heat sink)
17	07-84485E01	Bracket
18	15-84107A01	Handle, handset (black) (includes caps—part number varies according to color)
	01-80754B34	Black (decor)
	15-84107A05	Beige
	15-84107A02	White
	15-84107A08	Gray
	15-84107A06	Green
19	03-139461	Screw, machine (4-40 x 1/4")
	04-127897	Lockwasher (# Int. Ext)
20	40-84087A01	Switch, (form "F") (black) (includes pushbutton) (S507, PTT)
	40-84087A05	Beige (S507, PTT)
	40-84087A02	White (S507, PTT)
	40-84087A09	Gray (S507, PTT)
	40-84087A06	Green (S507, PTT)
21	15-84053A01	Cover plate, switch
22	30-84057A14	Cord, handset; coiled (black)
	30-84057A16	Beige
	30-84057A15	White
	30-84057A18	Gray
	30-84057A17	Green
23	04-134294	Screw, tapping (6-32 x 3/8" plain hex head w/external lockwasher)
24	04-129021	Lockwasher; 3/4" internal
25	40-83987H01	Switch, locking spst (S506) includes 55-82000H02 Key (#2252) and mounting nut
26	07-84222D01	Bracket, switch mounting
27	07-84215D01	Bracket, transistor mounting
28	26-84457D01	Plate, transistor heat sink
29	07-84199D02	Bracket, trunnion (right)
30	07-84199D01	Bracket, trunnion (left)
31	15-84169E01	Housing (rear section) (black)
	15-84169E02	Beige
	15-84169E03	White
	15-84169E04	Gray
	15-84169E05	Green
34	01-80724B22	Housing (front section) (black)
	01-80754B33	Black (decor)
	01-80724B23	Beige
	01-80724B24	White
	01-80724B25	Gray
	01-80724B26	Green

Conversion Kits for Facts Control Head UHF and VHF

MODEL NO.	HOUSING (FRONT SEC.)	HOUSING (BACK SEC.)	CORD	HANDSET
TCN-1101A (Blk.)	15-84234D01	15-84233D01	30-84057A01	15-84107A01
TCN-1102A (Beige)	15-84234D02	15-84233D02	30-84057A05	15-84107A05
TCN-1103A (Wht.)	15-84234D03	15-84233D03	30-84057A02	15-84107A02
TCN-1104A (Gray)	15-84234D04	15-84233D04	30-84057A09	15-84107A08
TCN-1105A (Grn.)	15-84234D05	15-84233D05	30-84057A06	15-84107A06



Car Telephone Parts



150 MHz KITS and ACCESSORIES

CABLE KITS FOR MTS AND IMTS MOBILE EQUIPMENT

MOTOROLA MODEL NO.	WESTERN ELECTRIC MODEL NO.	DESCRIPTION
TKN-6142C		Cable kit, 17 ft. negative ground. (Replaces TKN-6130B)
TKN-6142C	KS-19609-L5*	Cable kit, 20 ft. negative ground. (For Internal Supervisory Unit)
TKN-6157B		Cable kit, 20 ft. negative ground for battery saver.
TKN-6178A	KS-19609-L9*	Cable kit, 20 ft. positive ground.
TKN-6307A		Cable kit, 5 ft. for "Motrac" and "Motran" M.T.S. radio installation.
TKN-6308B		Cable kit, 20 ft. for "Motrac" and "Motran" M.T.S. radio installation.
TKN-6310A		Cable kit, 5 ft. for M.T.S. installations using TLN-8555A junction box.

*KS numbers include TLN6969A cable connectors and cover.

CIRCUIT BOARDS FOR CAR TELEPHONE

Following used on TLD 1100A radio:

KIT NO.	DESCRIPTION
TLN-6620B	Channel element socket board
TLN-6621B	1st I.F. (5.25MC)
TLN-6622B	Multiplier and audio board
TLN-6623B	455KC I.F. Amplifier
TLN-6626B	Digital Selector
TLN-6628B	Diplexer
TLD-6290B	Pre-selector
TLD-6300B	Transmitter exciter board

MK-450 MHz IMTS KITS and ACCESSORIES

CIRCUIT BOARDS FOR MK AND 450 MHz RADIO UNITS

MOTOROLA MODEL NO.	DESCRIPTION
TLE-1130A	Power Amplifier
TFE-6030A	Duplexer Filter
TFE-6040A	Pre-Selector
TLN-8827A	Socket Board Regulator
TLN-8828A	1st IF & 2nd Oscillator
TLN-8829A	Multiplier Board
TLN-8833A	Audio Board
TLN-8954A	Exciter Board
TLN-8955A	470 kHz IF Board

MOBILE EQUIPMENT

MOTOROLA MODEL NO.	WESTERN ELECTRIC MODEL NO.	DESCRIPTION
TKN-6370A	KS-20282-L5	20 ft. cable assembly, negative ground.
TLN-8909A	KS-20282-L9	Tuning tools.
TLN-6042A	None	Installation Kit.

MISCELLANEOUS MOBILE KITS

MOTOROLA MODEL NO.	DESCRIPTION
TLN-6588A	Shelf mount kit—for shelf mounting TLN-1100A units in auto trunk.
TLN-6042A	Installation kit—for car telephone radio unit.
TLN-6629B	Tuning tool kit for TLN-1100A radio.
TLN-6903A	Hardware kit—adapts TLN-1100A radio to use TLN-6626B Selector.
TLN-6934A	IMTS dial control head unit installation hardware and cable connector housing.
TLN-6971A	IMTS dial control head unit supplementary hardware.
TLN-6969A	Cable connector housing and cover.
TEN-6052A	Auxiliary ring relay kit replacement for MTS control. Replaces TLN-6582A.
TLN-8555A	Junction Box for use with "Motrac" and "Motran" M.T.S. radio colored control units.
TLN-1039A	Digital Selector used in "Motrac" and "Motran" M.T.S. radio installations.
THN-6045A	Weatherproof Housing for mobile radios (TLD1100 type radio and MTS control head.)
TLN-6588A	Shelf Mount Kit consists of hardware for shelf mounting TLD1100 radio units in auto trunk.

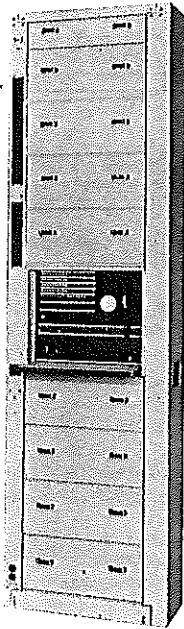
MOBILE ANTENNAS

MOTOROLA MODEL NO.	DESCRIPTION
TAD-6113A	152-174 MHz rooftop antenna, unity gain.
TAE-6020A	450-470 coaxial antennas, has extra long support mast for mounting on large trucks.
TAD-6042A	150-162 MHz Coaxial antenna—for cab or bumper mount.
TAD-6043A	162-174 MHz Coaxial antenna—for cab or bumper mount.
TAE-6062A	450-470 5 dB gain antenna.
TLN-6182A	Side mounting kit for coaxial antenna.
TLN-6414A	Bumper mounting kit for coaxial antenna.



CONTROL HEAD EQUIPMENT

MOTOROLA MODEL NO.	WESTERN ELECTRIC MODEL NO.	DESCRIPTION
TLN-4002A	KS-20283-L2	Auxiliary mounting bracket.
TLN-4026A	KS-20283-L4	Standard control head mounting hardware.
TLN-4129A	KS-20283-L5	Cable connector clip.
None	KS-20283-L3	Housing kit (excl. handset); BLK.



IMTS TERMINAL

FREQUENCY RESPONSIVE SWITCH

FREQUENCY	PART NUMBER
Decimonic Ringing	
20 Hz	1-84180D01
30 Hz	1-84180D02
40 Hz	1-84180D03
50 Hz	1-84180D04
60 Hz	1-84180D05
Harmonic Ringing	
16 $\frac{2}{3}$ Hz	1-84180D06
25 Hz	1-84180D07
33 $\frac{1}{2}$ Hz	1-84180D08
50 Hz	1-84180D04
66 $\frac{2}{3}$ Hz	1-84180D09
Synchromonic Ringing	
16 Hz	1-84180D10
30 Hz	1-84180D02
42 Hz	1-84180D11
54 Hz	1-84180D12
66 Hz	1-84180D13

IMTS CONTROL TERMINALS

IMTS LINE CIRCUIT ADD-ON KIT SERIES

The line circuit add-on kit provides the necessary equipment to add one additional line circuit to the IMTS control terminal. 12 line circuits can be mounted in the 1st bay of the terminals and 48 in the 2nd bay for a total of 60 line circuits. Expansion of allotter circuit is necessary after 12 lines. See TDN 6027 Line Alloter Kits.

TDN 6024AA Line Kit—for 1 to 10 parties per line.

LINE ALLOTTER KITS

Required when using more than 12 lines. Order one for each group of 12 lines. Mounts in second bay (existing TDN 6030A). A.T.B. relays are included.

TDN 6027AC For addition of lines 37 to 48 (2 relays) or for the addition of lines 49 to 60 (2 relays).

ADDITIONAL TERMINAL EXPANSION KITS

TDN 6031A RACK EXTENSION KIT—Includes channel iron and necessary hardware to extend Standard Terminal Rack to 11'6" high. Complete with necessary covers and side panels. One per bay may be ordered as required.

TDN-6029A TOLL TICKETING STATION CONTROL CIRCUIT FOR 120 SUBSCRIBERS—Provides interconnection between terminals and any automatic toll ticketing identifiers. One per channel required and may be mounted externally or in TDN 6031A.

TDN 6034A TOLL TICKETING STATION CONTROL CIRCUIT FOR 120 SUBSCRIBERS—Same as the TDN 6029A, but designed for mounting in TDN 6030A.

TDN 6036A LINE TERMINATION PRINTED CIRCUIT CARD KIT—Provides receiver plug additions for the transmission. One required for each additional receiver in excess of one on a one channel terminal and two for two channel terminal.

150 MHz BASE STATION

FIELD CONVERSION KITS FOR IMTS BASE STATION

MODEL NO. DESCRIPTION

T 1296A Field Conversion Kit—for adding forward and reflected power meters in 250 watt IMTS Base Stations.

Parts Kits... Transistor Kits for IMTS Radio Equipment

MODEL NUMBER	DESCRIPTION	BASE STATION
PK121*	Base Station Receiver Kit. A complete assortment of spare components consisting of one or more unique parts most often used for trouble shooting and replacement. Does not include transistors and tubes, or common capacitors and resistors.	
PK122*	19 piece Transistor Kit for servicing Base Station Receiver and associated chassis. Kit contains one each of all transistors in the equipment.	
PK123*	Base Station Transmitter Kit (Low-Power). An assortment of components for servicing the Low-Power transmitter. Kit contains one or more of all unique parts most often used for trouble shooting and replacement operations. Kit does not contain transistors, tubes, fuses or common resistors and capacitors.	
PK124*	Base Station Transmitter Kit (High-Power). Same type of kit as described in PK123 only components are for High-Power transmitter.	
PK125*	12 piece Transistor Kit for servicing the Base Station Transmitter. Kit contains one of all transistors used in transmitter chassis.	
PK126*	An assortment of eight types of glass tubular fuses for maintenance of the 50 Watt base station transmitter. Kit contains 5 each of fuses in XMTR cabinet.	
PK127*	An assortment of seven types of glass tubular fuses for maintenance of the 250 Watt base station transmitter. Kit contains 5 each of fuses in XMTR cabinet.	
PK128*	A fuse kit for maintenance of base station receiver cabinet. Kit contains five each glass tubular fuses used in receiver cabinet.	
PK129*	A full complement of tubes for maintenance of 50 Watt and test transmitter base stations.	
65-83382D02*	A tube kit required in addition to the PK129 kit to provide the proper tube complement to service the 250 Watt base station transmitter. (Replaces PK-134).	
PK210**	MK Base Station Receiver Kit, a miscellaneous parts kit of items not usually stocked or available locally.	
PK205**	Transistor Kit, for MK Base Station Transmitter, contains at least one of all transistors used.	
PK206**	Fuse Kit for MK Base Station, contains at least one of all fuses in MK base receivers and transmitters.	
PK208**	Tube Kit for MK Transmitter, contains one of each tube used in the MK transmitter.	
PK209**	Diode Kit for MK Base Station Receiver Kit, contains at least one of all diodes used.	
PK254**	Transistor Kit for MK Base Station Receivers, contains at least one of all transistors used.	
PK255**	Diode Kit for MK Base Station Transmitter, contains at least one of all transistors used.	
PK256**	MK Base Station Transmitter Kit, a miscellaneous parts kit of items not usually stocked or available locally.	

*150 MHz Equipment only.

**450 MHz Equipment only.



IMTS CONTROL TERMINAL PARTS

MOTOROLA PART NO.	DESCRIPTION	I.T.T.	MOTOROLA PART NO.	DESCRIPTION	I.T.T.	MOTOROLA PART NO.	DESCRIPTION	I.T.T.
VARISTORS			01-83966B85	Receiver Selector A Card	K-5409	25-83966B20	545 Ohms	S-78
06-83966B69	Coded Brown	80390-1	01-83966B86	Sonad Card	K-5410	25-83966B22	390 Ohms	S-80
06-83966B70	Coded Yellow	80390-2	01-83966B87	Tone Detector A Card	K-5411	25-83966B23	225/225 Ohms	T-2
06-83966B71	Coded 29HT	95655-1	01-83966B88	Tone Detector B Card	K-5412	25-83966B24	1025/1025 Ohms	T-3
SUPPRESSORS			01-83966B89	Band Pass Filter Card	K-5414	25-83966B25	515/515 Ohms	T-9
06-83131C63	600 Ohm, .5 uf	96032-1	01-83966B90	Transmit Line Terminating Card	K-5405-GP2	25-83966B26	2220/2220 Ohms	T-11
06-83966B72	.2 uf, 100 Ohms	4A-784	01-83966B91	Transmit Line Terminating Card	K-5405-GP3	25-83966B29	830/830 Ohms	T-21
06-83996B73	.5 uf, 600 Ohms	5A-784	01-83966B92	Amplifier Card	95769-1	25-83966B30	1025/2220 Ohms	T-28
06-83966B74	1 uf, 600 Ohms	5B-784	LAMPS			25-83966B31	515/830 Ohms	T-40
06-83966B76	Suppressor Assembly	77502	65-83966B94	Switchboard, 48 V	4896-TD-745	25-83966B33	1025/515 Ohms	T-52
ATTENUATOR			65-83966B96	Glow Type, NE83	95766-1	25-83966B34	830/1310 Ohms	T-70
09-83131C52	Pad Socket Assembly	86673-1	65-83966B97	Resistance Type 13J	76893-2	25-83966B36	Repeat Coil	80683-1
SWITCHES			65-83966B98	Resistance	76893	25-83966B37	Induction Coil	95768-1
40-83131C50	Turn Button	95727-9	COILS—Relay			RELAYS		
40-83131C53	Lever	1242-740	25-83966B01	308/308	P-2	80-83966B43	Mercury	95694-1
40-83131C54	Lever	1013-740	25-83966B02	485 Ohms	S-6	80-83966B44	Magnetic Impulse	74566-4
40-83131C55	Lever	1252-740	25-83966B03	1000 Ohms	S-8	80-83966B46	Multi-Stack Relay	80329-37
40-83131C66	Hook Switch	86575-1	25-83966B04	1075 Ohms	S-9	80-83966B48	Ringing Relay (60 CPS)	20570A2
HANDSET			25-83966B05	2000 Ohms	S-25	80-83966B51	Ringing Relay (50 CPS)	20570A5
50-83449A01	Handset	—	25-83966B07	3600 Ohms	S-10	49-83966B99	Matrix Shorting Discs	86759-1
SHELF CARDS			25-83966B08	334 Ohms, 1/16" Sleeve	S-26	THERMAL TIMING ELEMENTS		
01-83966B78	Hybrid Card	K-5402	25-83966B09	540 Ohms, SL	S-27	80-83966B39	20 Sec., 48 V	82222-3
01-83966B79	Vogad Control Card	K-5403	25-83966B11	1235 Ohms	S-35	80-83966B40	45 Sec., 48 V	82222-5
01-83966B80	Vogad Amplifier Card	K-5404	25-83966B12	815 Ohms	S-36	80-83966B41	120 Sec., 48 V	82222-8
01-83966B81	Transmit Line Terminating Card	K-5405	25-83966B13	1000 Ohms SL	S-38	48-83131C44	Use 48P82466H02 V2070	83777-22
01-83966B82	Tone Generator Card	K-5406	25-83966B14	2550 Ohms	S-46	48-83131C57	Zener—IN281113R-13V-50W	—
01-83966B83	Receive Line Terminating Card	K-5407	25-83966B15	10260 Ohms	S-50			
01-83966B84	Receiver Selector B Card	K-5408	25-83966B16	2220 Ohms Slug	S-51			
			25-83966B19	830 Ohms, 1/16" Sleeve	S-69			

REPLACEMENT PARTS FOR 150 MHz IMTS CONTROL HEADS

MOTOROLA PART NO.	DESCRIPTION	MOTOROLA PART NO.	DESCRIPTION	MOTOROLA PART NO.	DESCRIPTION
07-83938H01	Bracket, Mounting Replaces 7-83471A01	38-83471A29	Push Button Assy. (R)	13-83471A66	Escutcheon (Handset)
42-83471A02	Ring, Lockout	38-83471A30	Push Button Assy. (Aux)	41-83471A68	Restoring Spring Handset
40-83471A03	Switch, Aux. Push Button	38-83471A31	Push Button Assy. (No Designation)	40-83471A69	Switch Assy. Handset
40-83471A04	Switch, Channel Selector	38-83471A32	Push Button Assy. (P)	59-83471A70	Membrane Assy. Handset
80-83471A05	Relay (ring)	42-83471A33	Clamp (LH)	03-83471A71	Flat Head Cap Screw (Handset)
80-83471A06	Bell & Diode Assy.	42-83471A34	Clamp (RH)	80-83471A72	Bell Assy. (includes Mtg Screws and Diode)
40-83471A07	Switch, Lock (with 2 keys)	41-83471A35	Springs, Clamp	80-83471A06	Bell Replaces 80-83471A73
18-83471A08	Potentiometer	47-83471A36	Pivot Pin, Clamp	30-83471A74	Cable Assy.
30-83471A09	Cable Assembly	45-83471A37	Actuator Arm Assy.	33-83471A75	Nameplate Assy. (Motorola)
40-83471A10	Cradle Switch Assy.	41-83471A38	Spring for Actuator Arm	61-83471A76	Lens (Transmit)
33-83471A11	Name Plate Assy., W. E. Co.	41-83471A39	Spring (Large for Cradle Switch)	61-83471A77	Lens (Busy)
54-83471A12	Strip, Number Card	07-83471A40	Cradle Switch Bracket Assy.	65-83471A78	Edge Light
33-83471A13	Name Plate Assy., "Radio Tele."	09-83471A41	Relay Socket Assy. (Ring)	40-83471A79	Switch, Party
80-83471A14	Relay—for revertible call	43-83471A42	Retainer, Relay Ring	03-83471A80	Screw (Top of Fr. Shell)
80-84223K01	Buzzer (Replaces 80-83471A15)	02-83471A51	Speed Nut, "U" Type	03-83471A81	Screw (Bottom of Fr. Shell)
38-83471A16	Push Button Assy. (JL)	32-83471A52	Dial Gasket	03-83471A82	Screw (Rear Shell)
38-83471A17	Push Button Assy. (YL)	46-83471A53	Dial Finger Stop	42-83471A83	Tie (Nylon)
38-83471A18	Push Button Assy. (JP)	26-83471A54	Light Shield	80-84223K01	Buzzer Assy. Replaces 80-83471A84
38-83471A19	Push Button Assy. (YP)	07-83471A55	Dial Light Mtg Brkt	80-83471A85	Buzzer Only
38-83471A20	Push Button Assy. (YJ)	07-83471A56	Lamp Mtg Brkt (Trans-Busy)	48-83471A86	Diode
38-83471A21	Push Button Assy. (YK)	09-83471A57	Lamp Socket Assy. (On-Off)	04-83471A87	Insulator
38-83471A22	Push Button Assy. (JS)	65-82010C03	Lamp (miniature bay base) (Replaces 65-83471A58)	03-83471A88	BHM Screw (Buzzer Mtg)
38-83471A23	Push Button Assy. (YS)	07-83471A59	Mtg Brkt Assy. (Base Plate) RH	09-83471A89	Relay Socket Assy.
38-83471A24	Push Button Assy. (YR)	07-83471A60	Mtg Brkt Assy. (Base Plate) LH	72-83969H01	Kellogg Dial Assy. Replaces 80-83531A02
38-83471A25	Push Button Assy. (JK)	59-865086	Transmitter Assy. (Handset)	49-83150D25	Fingerwheel
38-83471A26	Push Button Assy. (JR)	59-83471A63	Receiver Assy. (Handset)		

REPLACEMENT PARTS FOR 450 MHz CONTROL HEADS

PART NUMBER	DESCRIPTION	PART NUMBER	DESCRIPTION	PART NUMBER	DESCRIPTION
40-83987H01	Switch, lock with 2 keys	40-83972H01	Switch slide (DPDT) light dimmer	07-83951H01	Bracket left mounting
55-82000H02	Key	72-83969H01	Dial Assembly, complete	07-83951H02	Bracket right mounting
80-04357C07	Relay	18-83930D08	Potentiometer 10K	28-863762	Plug chas 24 pin
9-04003A03	Relay Base	80-83471A06	Bell Replaces 80-83973H01	07-83938H01	Mounting trunnion
40-83970H01	Switch, push (Aux)	01-80788A18	Latch bar assembly	31-83949H01	Terminal Board
01-80788A23	Assembly Pushbutton (Aux)	65-83974H01	Indicator Lamp	31-83952H01	Terminal board TB2
40-83977H01	Switch, open leaf			31-83916H01	Terminal Board TB4
				54-83823D01	Dial Card



Radios in Service vs. Recommended No. of Kits

See separate chart for Multi-channel Rural Telephone SPARE-PAC Spare Parts Kits (SPK-111 through SPK-113).

Radios in Service*	1-5	6-15	16-30	31-50	approximately 1 per 20 radios over 50
Recommended No. of Kits	1	2	3	4	

The number of Spare-Pac spare parts kits required depends on the number of radios in service.

Multi-Channel Rural Telephone Subscribers in System vrs. Recommended No. of kits.

Subscribers	1-10	11-20	21-30	31-40	41-50	51-60	61-70	71-80	81-90	91-100
Recommended No. of SPK-111 & SPK-113** Kits	1	2	3	4	5	6	7	8	9	10
Recommended No. of SPK-112** Kits	1	1	1	1	1	1	1	2	2	2

SPARE-PAC Spare Parts Kits are Currently Available for the Following Radios:

MOCOM-70 Radios (136-174 MHz)

SPK-101A	30 watt models
SPK-101B	30 watt models
SPK-102A	45 watt models
SPK-102B	45 watt models
SPK-103A	60 watt models
SPK-103B	60 watt models
SPK-104A	100 watt models
SPK-104B	100 watt models

MOCOM-70 UHF Radios (450-512 MHz Range)

SPK-119A	16, 22 and 25 watt models
SPK-119B	16, 22 and 25 watt models
SPK-120A	39 and 50 watt models
SPK-120B	39 and 50 watt models

MICOR Radios (132-174 MHz)

SPK-105A	45 watt models
SPK-105B	45 watt models
SPK-106A	60 watt models
SPK-106B	60 watt models
SPK-107A	90 & 110 watt models
SPK-107B	90 & 110 watt models

MICOR UHF Radios (450-470 MHz Range)

SPK-115A	25 watt models
SPK-115B	25 watt models
SPK-116A	45 watt models
SPK-116B	45 watt models
SPK-117A	75 watt models
SPK-117B	75 watt models
SPK-118A	100 watt models
SPK-118B	100 watt models

PULSAR VHF Mobile Telephone Radios

SPK-109A	20 & 12 watt models
SPK-109B	20 & 12 watt models

Pulsar UHF Mobile Telephone Radios

SPK-128	25 watt models
SPK-130	Pulsar II Control Head

NOTE: SPK-128, SPK-130 spare parts kits are available only as full complement kit. (No "A" or "B" version suffix kits.) The above kits will cover Motorola, RCC, BELL & TELCO systems.

HT-220 HANDIE-TALKIE Radios (136-174 MHz)

SPK-108A	1-5 watt models
SPK-108B	1-5 watt models

UHF-HT-220 Portable Radios (401-512 MHz Range)

SPK-114A	1, 3.5 & 4 watt models
SPK-114B	1, 3.5 & 4 watt models

Order Separately for HT-220 HANDIE-TALKIE Radios

Item	Suggested Number of Spares
Mercury batteries	as required
Nickel-Cadmium batteries	2 for every 30 units or as required
Front and Rear Covers	1 for every 15 units
Battery Covers	1 for every 5 units
Speaker/Microphone (if applicable)	1 for every 10 units
All other accessories	1 for every 25 units

VHF Rural Telephone Radios

SPK-110	Single-channel Radio MRT 150-S & R (Magneto, E & M, and repeater radios).
SPK-111	Multi-channel Radio MRT-150M (subscriber and base radios).
SPK-112**	Multi-channel terminal MRT 150M
SPK-113**	Multi-channel terminal supplementary expansion kit (subscriber termination and channel termination modules).

Note: VHF Rural telephone Radio SPARE-PAC Spare-parts kits are available only in 90% contingency level equivalent to "B" suffix.

MICOM HF-SSB Radios (2-9 MHz—2-18 MHz Range)

MOBILE AND BASE STATION RADIOS

SPK-121A	60 watt mobile radios
SPK-121B	60 watt mobile radios
SPK-122A	125 watt mobile radios
SPK-122B	125 watt mobile radios
SPK-123A	60 watt base stations
SPK-123B	60 watt base stations
SPK-124A	125 watt base stations
SPK-124B	125 watt base stations
SPK-125A	125 watt (RTTY) base stations
SPK-125B	125 watt (RTTY) base stations
SPK-126	60 and 125 watt antenna tunes
SPK-127	60 and 125-watt 6-dipole switch

Note: SPK-126 and SPK-127 spare parts kits are available only as full complement kit. (No "A" or "B" version suffix kits).

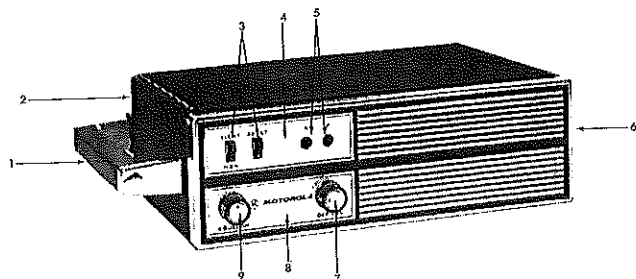
*Note: Count single-channel rural telephone repeaters as two radios.

**Note: Two SPARE-PAC Spare parts kits (SPK-112 and SPK-113) are required to cover the Multi-Channel terminal. Order recommended number as indicated in chart.



Alert Monitor Receiver

TRANSISTORIZED ALERT MONITOR RECEIVER



Fire Fighter Only LO1CND/LO3CND Series

REF. SYMBOL	PART NUMBER	DESCRIPTION
1	55-82844J01	Handle only
	3-120900	Machine screw (6-32 x 5/16 phil bln)
2	15-84066H03	Housing only (red)
4	13-82845J02	Escutcheon (1 pilot light hole only) (Replaces 13-82584J02)
	13-82845J03	Escutcheon (as shown) (Replaces 13-82584J03)
6	64-83386E04	Front panel (red)

Alert Monitor Only MO1CNB/MO3CNB/MO4CNB Series

1	1-80770A80	Handle assembly only
	55-83565E01	Handle
	38-82033B29	Plug button (handle)
	3-83174C01	Set screw
2	1-80770A79	Housing and handle assembly
	15-5216B04	Housing only (Replaces 15-84066H01)
4	13-83561E02	Escutcheon (as shown)
	13-83561E03	Escutcheon (one pilot light hole only)
6	1-80774A76	Assem. Front panel w/speaker gasket and bottom escutcheon
	64-83386E01	Front panel
8	13-83560E01	Escutcheon

Parts Common to Both Receivers

3	40-83890A02	Switch, slide (DPDT) alert/mon
	40-83547E01	Switch, slide (SPST) reset
5	61-83603E01	Lens (blue)
	61-83604E01	Lens (red)
7	36-82628H09	Knob, volume
	18-83519E01	Pot. 25k w/switch (volume)
9	36-82628H08	Knob, squelch
	18-83518E01	Pot. 5k (squelch)

Non-Referenced Common Parts

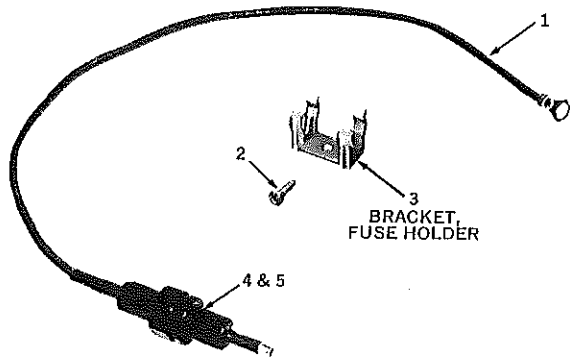
KIT/PART NO.	DESCRIPTION
65-83573E01	Lamp, pilot
9-83567E02	Socket, pilot lamp
65-892098	Fuse (3/16 amp 125v slow blow)
65-804910	Fuse (1 amp 125v slow blow)
50-83566E01	Speaker
30-83562E02	A.C. power cable
7-83580E01	Bracket, handle mounting
28-5223B01	Socket (back of housing) (Replaces 28-83511G01)
9-82083C02	Fuse holder

Accessory Items for Both Receivers

KIT/PART NO.	DESCRIPTION
30-83562E03	DC power plug (plugs into cigarette lighter) (Replaces NKN-6123A)
NKN-6131A	Mobile antenna adapter (for use with mobile antenna)
NLN-6588A	Mobile mounting rack
NLN-1082A	Emergency power supply (nickel-cadmium battery, charger & switchover)
85-83600G01	Wire antenna 30-42 MHz (Replaces NAB-6191A)
85-83600G02	Wire antenna 42-50 MHz (Replaces NAB-6192A)
NAD-6200A	Whip antenna 150-174 MHz
NAD-6190A	Telescopic antenna 150.8-174 MHz (alert monitor only)
NAE-6105A	Whip antenna 406-470 MHz (alert monitor only)
TSN-6005A	Auxiliary speaker (less volume control)
TSN-6006A	Auxiliary speaker (with volume control)

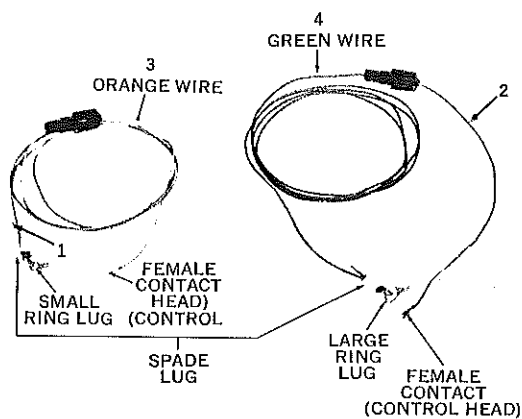
Trunk Mount Cable Kits for MICOR Radio

TKN-6457A Cable & Fuse Kit 25 Watt



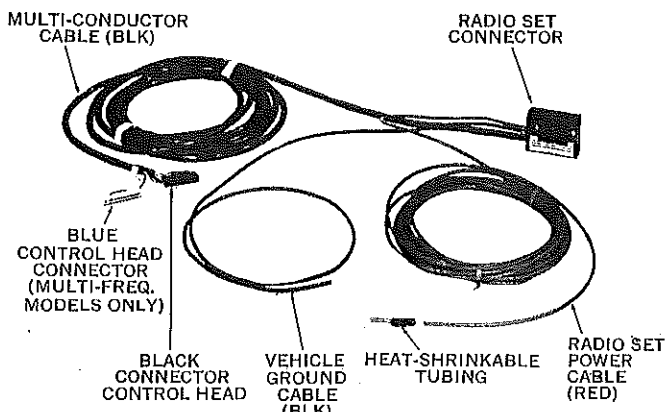
REF. SYM-BOL	PART NUMBER	DESCRIPTION
1	01-80711B12	Assembly, Cable and Lug
2	03-400465	Screw, tapping 10-12x3/4 inches
3	42-84275B01	Retainer, fuse
4	09-84277B01	Receptacle, fuse
5	65-136969	Fuse, 15 amp 32 Volt; TKN6457A (25 watt)
	65-84161B01	Fuse, 40 amp 32 Volt; TKN6458A (45/75/100 watt)

TKN-6456A Cable Kit



REF. SYM-BOL	PART NUMBER	DESCRIPTION
1	01-80711B10	Fuse Clip and Lead (Orange, 9 inches)
2	01-80711B08	Fuse Clip and Lead (Green, 12 inches)
	14-82883A01	Includes: Insulator, fuse holder cap
	42-82884A01	Clip, fuse
	09-84151B01	Receptacle, contact
3	01-80711B11	Fuse Clip and Lead (Orange, 60 inches)
4	01-80711B09	Fuse Clip and Lead (Green, 88 inches)
	14-82882A01	Includes: Insulator, fuse holder body
	41-82885A01	Spring, fuse holder
	42-82884A01	Clip, fuse

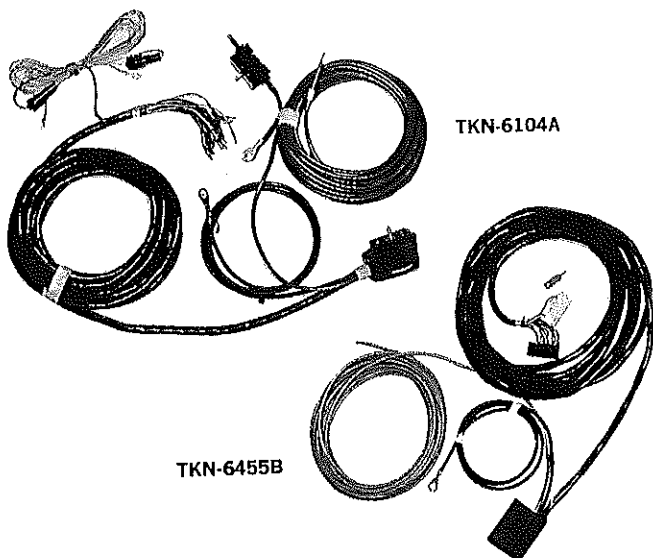
TKN-6455B 22 Ft. Cable Kit Shown TRN-6606A (18 ft.)



PART NUMBER	DESCRIPTION
01-80703A58	Lead and Lug Assembly
01-80735B02	Radio Cable and Lugs Assembly (18 foot)
01-80711B07	Radio Cable and Lugs Assembly (22 foot)
03-122330	Screw, machine 6-32x3/8 inch PHLBIN STL CAD
03-132127	Screw, tapping 6-20x3/4 inch PLN HEX
03-138133	Screw, machine 6-32x3/4 inch PHLBIN STL CAD
09-84086B01	Receptacle, female (37 used)
09-84151B03	Receptacle, connector
14-84556B01	Housing, black
14-84556B02	Housing, blue
15-84044C01	Receptacle, front housing
15-84045C01	Receptacle, rear housing
03-812505	Cable, battery #8 red
42-867839	Clamp, cable
42-84046C01	Clip, strain relief



Mobile Cable Kits



TKN-6104A

TKN-6455B

TRUNK MOUNT CABLE KITS FOR "MOTRAC," "MOTRAN" AND "MOCOM-30" & 70" RADIO

MODEL NO.	DESCRIPTION
TKN 6058A	6 volt, 1 or 2 freq. 25, 30 & 50 watt units
TKN 6097A	6 volt, 1 or 2 freq. 30 & 50 watt with "Extender" feature
TKN 6105A	12-volt 1, 2, & 4 freq. 25, 30 and 50 watt units (20 foot)
TKN 6104A	12-volt 1, 2, & 4 freq. 60, 80 and 100 watt units (20 foot)
TKN 6076A	24-volt 2 freq. 25 watt units (17 foot)
TKN-6604A	12 volt, 1 freq. 25, 50, 60 & 100 watt units (17 foot)
TKN-6605A	12 volt multi-freq. 25, 50, 60 & 100 watt units (17 foot)

"MICOR" RADIO CONTROL AND POWER CABLES

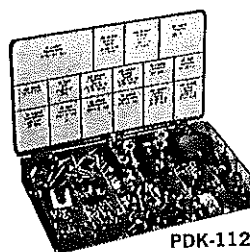
MODEL NO.	DESCRIPTION
TKN-6453B	1 freq. cable—22 feet long (replaces TKN-6452A & B)
TKN-6455B	4 freq. cable—22 feet long (replaces TKN-6454A & B)
TKN-6470B	4 freq. cable—22 feet long (positive ground)
TKN-6607A	12 freq. cable—22 feet long (replaces TKN-6606A)
TKN-6608A	12 freq. cable—22 feet long (positive ground)
TKN-6456A	Control head power cable
TKN-6457A	Cable and fuse (low power radio)
TKN-6458A	Cable and fuse (high power radio)

DASH MOUNT CABLE KITS

MODEL NO.	DESCRIPTION	APPLICATION
TK 191	12-volt, 1 or 2 freq.	D43G, GGV series

CABLE KITS FOR TLN 6014A CONVERTER For U41GGT, U43GGT, U44BBT and U51GGT 18, 25, 30, 50-60 Watt Units "T-Power" Series Radio.

TKN 6013A Trunk-mounted converter, trunk mount radio
TKN 6014A Engine-mounted converter, dash mount radio



PDK-112

Mobile Installation Hardware Kit

Forget about lost or missing installation hardware with this time and trouble saver! Each kit contains a generous supply of all the hardware you need for mobile installations—600 pieces in all, including a handy, 13-compartment plastic case. Self-tapping screws, bolts, washers and bushings of every useful size are supplied as well as 10 microphone hang-up plates. The contents of each compartment are identified by Motorola part number and description. This kit is a "must" in the shop and in every service van. Order PDK-112

BUSINESS "DISPATCHER" AND "MOCOM" RADIO CABLE KITS

MODEL NO.	DESCRIPTION
TKN 6100A	Business "Dispatcher" Radio (All Models)
28A48250	Right Angle Connector Kit used with TKN 6100A
TKN 6329A	"Mocom-10," 12-volt Low Band
TKN-6445A	"Mocom 10 & 35," 12-volt High Band & 450

GROUND REVERSING KITS

MODEL NO.	DESCRIPTION
TLN-8482A	For "MOTRAC/MOTRAN" and "MOCOM*70" radios
TLN-4390B	For "MICOR" radio

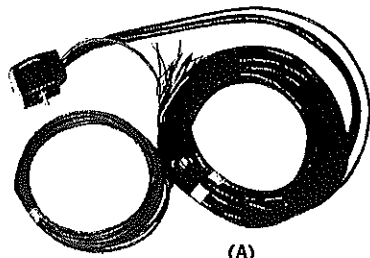
VIBRATOR & DYNAMOTOR "T-POWER" RADIO CABLE KITS

MODEL NO.	REPLACEMENT FOR	DESCRIPTION	APPLICATION
TKN 6001A	TK 154, TK 202 series, TKN 6000A	6-volt, 20 ft. 1 or 2 freq.	All 6/12 450-470mc 18-20 watt
TKN 6003A	TK 156, TK 203 series, TKN 6002A	12-volt, 20 ft. 1 or 2 freq.	T51G, T51GGV series 50 to 60 watt
TKN 6005A	TK 208, TK 161 series, TKN 6004A	6-volt, 20 ft. 1 or 2 freq.	T41G, GGV series T43G, GGV series
TKN 6007A	TK 209, TK 162 series, TKN 6006A	12-volt, 20 ft. 1 or 2 freq.	U41GGT, U43GGT series 10 and 25 watt
TKN 6009A	TK 313 series	12-volt, 20 ft. 1 or 2 freq.	T43AAD, T43GAD T51GGD series T53GKT, T71GJT, "T-Power", 60 & 100 watt
TKN 6101A		12-volt cable kit (17-foot) trunk mount	U53GGT 60 watt

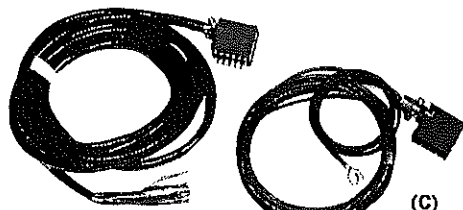
Miscellaneous Cable Kits

MODEL NO.	DESCRIPTION
TKN-6614A	Pulsar radio power and control cable, 25 ft. negative ground.
TKN-6690A	Rear control cable assembly for Emergency Medical System, 20 ft.
TKN-6572A	Power cable kit, all models Modar Triton radio.
TKN-6592A	Remote cable kit for Modar Triton radio, 15 ft.

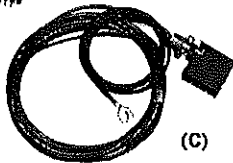
POWER AND CONTROL CABLE KITS



(A)
Power and Control



(B)
Control



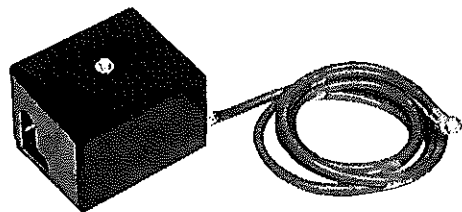
(C)
Power

FIG.	DESCRIPTION	PART NO.
	1 or 2 Freq. for all 6/12 or "T-Power" 10" Housings	1V80710A82 (12V)
	17 ft., 1 or 2 Freq. for 25, 30 & 50 watt "Motrac"	TKN6058A (6V)
A	20 ft., 1 or 2 Freq. for 25, 30 & 50 watt "Motrac"	TKN6105A (12V)
	20 ft., 1 or 2 Freq. for 80 & 100 watt "Motrac"	1V80721A69 (12V)
	20 ft., for 24 volt "Motrac" Radio	1-80715A22 (24V)
B	20 ft., 1 or 2 Freq. for all Vibrator, 6/12 Models in 15" Housings	1V831573
	20 ft., 1 or 2 Freq. for all Dynamotor and "T-Power" Models	1V859419
C	20 ft., 1 or 2 Freq. for all T51GGV and T44A series 6/12 -Volt Models	1V831574 (6V) 1V831576 (12V)
	20 ft., 1 or 2 Freq. for 12-Volt Dynamotor Models and "T-Power" Mobile Units	1V865351 (12V)
	20 ft., 1 or 2 Freq. for 100-Watt Dynamotor Models	1V865351 (12V)

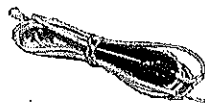
MISCELLANEOUS CABLE ASSEMBLIES



(D)



(E)



(F)



(G)



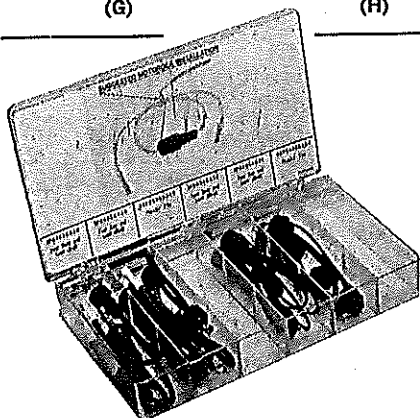
(H)

FIG.	DESCRIPTION	PART NO.
D	3 ft. Long #10GA Cable 12-Volt T43GGV and T51GGV and other similar units	1V832065
	2 ft. Long #10 blk. with 3/8" dia. lug and #8 lug	1V832063
E	Relay & Fuse Assembly 6- or 12-Volt (Horn type Relay)	1V859440
	Relay & Fuse Assembly 12-Volt only (Horn type Relay)	1V859445
F	In-line fused lead, 66" overall. Consists of #18 orange wire and fuse holder with 6 1/4 amp. fuse. Used on front mount "Motrac" radio control head.	1-80705A19 (Replaces 1-80705A06)
	In-line fused lead, 106" overall. Consists of #18 green wire, #19 pin one end and ring tongue lug on other. Used on rear mount "Motrac" radio control head.	1V80705A18
	In-line Fused lead w/pin #6 and Lug for Horn type Relay	1V859441
	In-line Fused lead w/pin #6 and Lug for Solenoid Relay	1V858087
G	5 ft. Long #10 red with 20 amp in-line fuse and holder with a #8 lug and a 3/8" lug	1V80710A79
	67" overall in-line fuse lead #18 orange, 6 1/4 amp fuse. One end has a #8 ring tongue lug, the other has a #20 term pin.	1V80705A19
	Relay lead, 68 in. long w/pin #5 and Lug 68" #20 pin lead with #8 ring tongue lug. The other has a #6 pin	1V859428 1V80710A80
H	One each of Fig. "F & G" for Horn type Relays	1V830178
	Ignition Switch Lead, 5 ft. long w/lugs	1V847414

PDK-1116 Clip-On Fuse Kit.

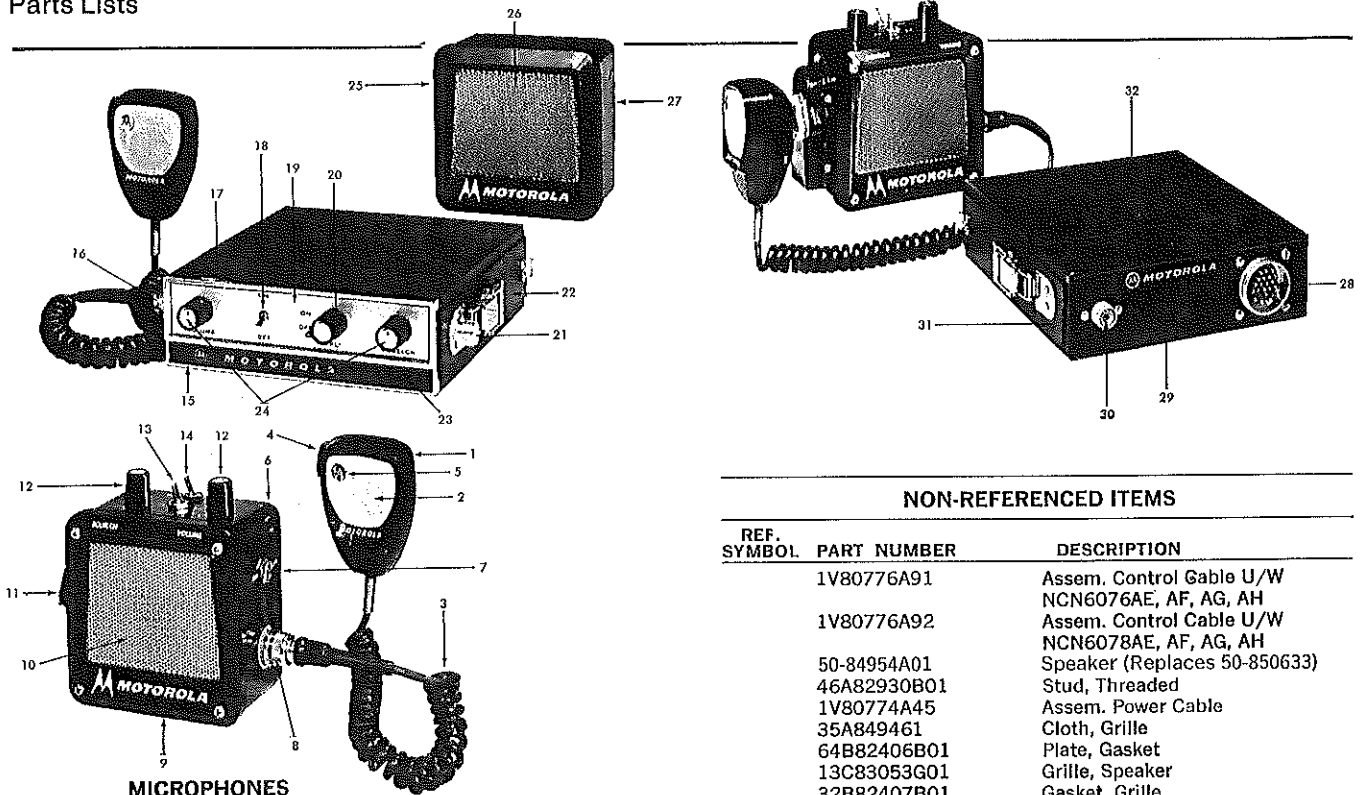
Don't rewire . . . just because part of the in-line fuse has deteriorated, and you haven't enough slack. The PDK-1116 provides you with a quick, easy method of replacing in-line fuse holders. The fuse bodies and caps have 9" leads with crimp splices on the leads. Straps are included for tying back hanging slack. Just remove the faulty part, strip off 1/4" of insulation, and crimp on the new assembly. Each PDK1116 Clip-On Fuse Kit consists of:

QUANTITY	DESCRIPTION	PART NUMBER
5	Heavy Fuse Body and Lead	1P84066A68
5	Heavy Fuse Cap and Lead	1P84066A69
5	Light Fuse Body and Lead	1P84066A70
5	Light Fuse Cap and Lead	1P84066A71
6	Panduit Straps	42P84066A60



Solid-State DISPATCHER FM Radio

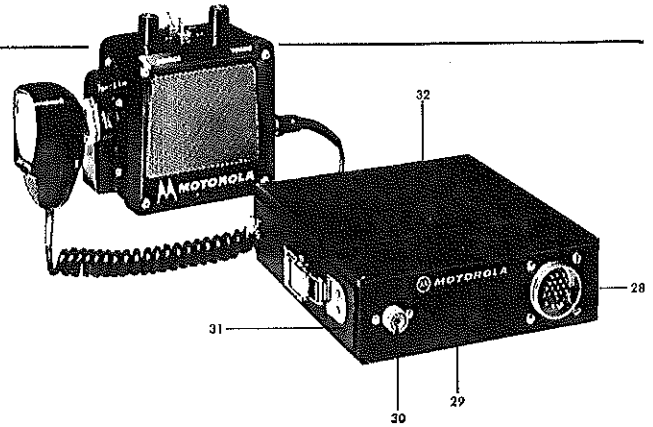
Parts Lists



MICROPHONES		
REF. SYMBOL	PART NUMBER	DESCRIPTION
1	1V80720A95	Assem., Hsng., Riv. (Back) U/W NMN6006A
	1V80770A57	Assem., Hsng., Riv. (Back) U/W NMN6032A
	1C83188G01	Assem., Switch and Housing (Back) U/W NMN6034A
2	15D82701B03	Housing, Mic. (Front) U/W NMN6006A
	15D82701B08	Housing, Mic. (Front) U/W NMN6032A and NMN6034A
3	1V80721A30	Assem., Coiled Cord & Plug U/W NMN6006A
	1V80770A54	Assem., Coiled Cord & Plug U/W NMN6032A
	1V80770A61	Assem., Coiled Cord & Plug U/W NMN6034A
4	38A852699	Button, Microphone
	40C82263G01	Switch, Mic. (DPST)
	43B82706B01	Sleeve U/W Switch
5	13K864439	Emblem

NON-REFERENCED ITEMS		
	59-83272G01	Cartridge, Mic. (Includes Pre-Amp). Replaces 59-82933C01
	42B82702B02	Retainer, Cartridge
	32A82703B01	Gasket, Mic.
	42A852710	Strap (Pltd)

CONTROL HEADS & CABLE		
6	1V80770A09	Assem. Housing Riveted U/W NCN6076AE, 78AE
	1V80770A10	Assem. Housing Riveted U/W NCN6076AF, 78AF
	1V80770A11	Assem. Housing Riveted U/W NCN6076AH, 78AH
7	40-482097	Switch, Toggle (On-Off) SPST. Replaces 40-83477E03
8	1V80715A85	Assem. Mic. Conn. (Potted)
9	13B82414B02	Bezel, Speaker
10	13C83053G01	Grille, Speaker
11	1V80718A12	Assem. Cover & Mic. Mounting Riveted
12	36B82630H01	Knob, Control
	18D82515B43	Pot. 5K (Squelch)
	18D82515B44	Pot. 25K (Volume)
13	40-80246	Switch, Toggle (2 Freq.) DPDT. Replaces 40-83477E01
14	40-80248	Switch, Toggle (P.L. On-Off) SPDT. Replaces 40-83477E02



NON-REFERENCED ITEMS

REF. SYMBOL	PART NUMBER	DESCRIPTION
	1V80776A91	Assem. Control Cable U/W NCN6076AE, AF, AG, AH
	1V80776A92	Assem. Control Cable U/W NCN6078AE, AF, AG, AH
	50-84954A01	Speaker (Replaces 50-850633)
	46A82930B01	Stud, Threaded
	1V80774A45	Assem. Power Cable
	35A849461	Cloth, Grille
	64B82406B01	Plate, Gasket
	13C83053G01	Grille, Speaker
	32B82407B01	Gasket, Grille

CONTROL PANELS

15	64D83449E04	Panel, Front U/W NCN6075AE
	64D83449E01	Panel, Front U/W NCN6075AF, AG
16	1V80769A96	Assem. Mic. Connector
17	1V80769A80	Assem. Sleeve Riveted (Complete)
18	40-482097	Switch, Toggle (SPST). Replaces 40-83477E03
19	13C83450E01	Escutcheon, Front Pnl. 1 Freq. Std. Sgl.
	13C83450E02	Escutcheon, Front Pnl. 2 Freq. Std. Sgl.
	13C83450E03	Escutcheon, Front Pnl. 1 Freq. Private Line
20	36B82630H01	Knob, Control
	40C83475E02	Switch, Rotary (2 Pole 2 Pos.)
21	9C82817E01	Receptacle, Antenna
22	1V80770A45	Assem. Housing Riveted
23	1V80769A79	Assem. Lamp & Jewel (Red)
	32A83444E01	Gasket, Jewel
24	36B82629H02	Knob, Control
	18D82515B43	Pot. 5K (Squelch)
	18D82515B44	Pot. 25K (Volume)

SPEAKER

25	13D83530E01	Bezel
26	13C83053G01	Grille
27	15C82302H03	Housing

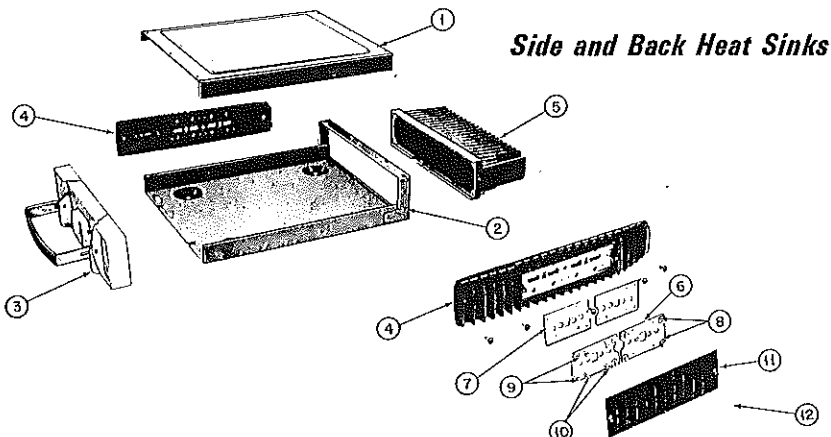
TOP PANEL (REMOTE CONTROL MODEL)

28	1V80769A15	Assem. Connector (Complete W/leads)
	28B83469E01	Connector Only (23 Pin)
29	64C83408E01	Panel
30	9K867432	Antenna Connector
31	1V80769A20	Assem. Sleeve Riveted
32	NHN6161A	Housing
	1V80770A45	Assem. Housing Riveted

NON-REFERENCED ITEM

	33B83476E01	Nameplate (Model)
--	-------------	-------------------

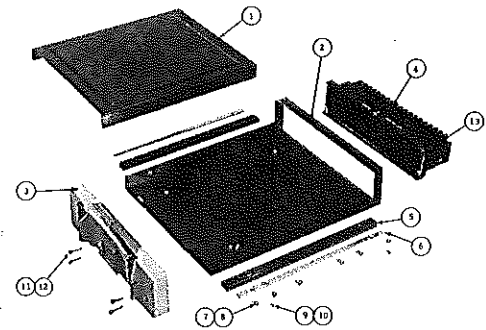
MOTRAC Housing



Side and Back Heat Sinks

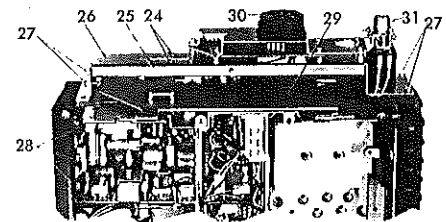
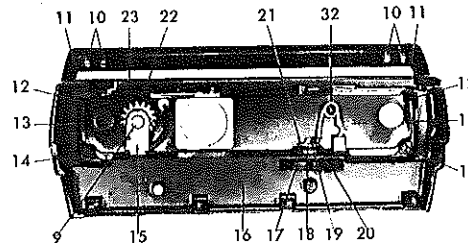
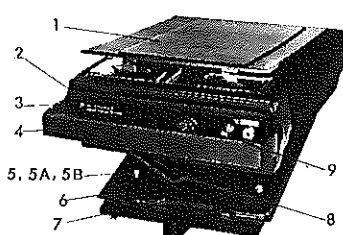
CODE	PART NO.	DESCRIPTION	MOTRAC RADIO
1	15-852668	Top cover (housing)	All models
2	15-852664	Bottom cover (housing)	All models
3	TGN-6002A	Front panel	All Models except 6/12 "Extender" models For 6/12 volt "Extender" models
4	15-83125G01	Power supply radiator	For 25 w, 30 w, and 50 w models
	15-83125G01		For 60 w, 80 w, and 100 w models
5	15-867111 15-865665 15-82128E01 15-82127E01	Transmitter radiator	For 30 w, and 50 w models For 25 w models For 100 w models For 60 w and 80 w models
6	64-82344A01	Transistor mounting plate	All models
7	14-82343A01	Mica insulator	All models
8	4-82345A01	Plastic shoulder washer	All models
9	3-131281	Lockscrew: 6-32 x 3/8"	All models
10	3-122318	Lockscrew: 6-32 x 5/16"	All models
11	15-83124G01	Heat sink cover	All models

Back Heat Sink Only



CODE	PART NUMBER	DESCRIPTION
1	15-852668	Cover, housing
2	15-852664	Housing
3	TGN-6002A	Front panel
4	15-82961G01	Radiator, xmtr.
5	7-82031H01	Rail, side; 2 req'd
6	15-82032H01	Cover, side rail; 2 req'd
7	3-134175	Screw, machine; #10-32 x 3/8" "Phillips", 12 req'd
8	4-119332	Lockwasher; #10 split; 12 req'd
9	3-134173	Screw, machine; #4-5/16" "Phillips", 4 req'd
10	4-7671	Lockwasher: #8 split; 4 req'd
11	3-132401	Screw, machine; #6-32 x 7/8" "Phillips"; 4 req'd
12	4-7650	Lockwasher: #6 internal; 4 req'd
13	3-857308	Screw, special radiator mounting; 4 req'd

Railroad MICOR Radio



CODE NUMBER	MOTOROLA PART NO.	DESCRIPTION
1	15-84123D01	Cover, top
2	13-84061D01	Escutcheon
3	4-849234	Washer, insulator
4	55-84930C01	Handle
5	2-847043	Nut 1/4-20
5A	3-121856	Screw Machine
5B	4-119331	Washer, split
6	1-80719B77	Cover, Bottom; incl. guide rail
7	64-84324D01	Adapter plate, bottom
8	1-80723B64	Lever Latch, incl. spring
9	55-84298C01	Lock Assembly, incl. key (#2135) and locknut
10	3-122318	Screw, hex head; 6-32 x 5/16
11	1-80723B63	Bracket, pivot
12	22-84019D01	Pin, detent
13	41-84022D01	Spring, detent
14	2-868622	Fastener, Tinnerman

CODE NUMBER	MOTOROLA PART NO.	DESCRIPTION
15	45-84026D01	Cam Lock
16	64-84931C01	Panel, front
17	4-10059A26	Washer, spring
18	43-84040D01	Bushing, latch
19	3-124890	Screw, machine; 10-32 x 3/8
20	32-84167D01	Shim, latch lever
21	64-84058D01	Plate Latch
22	41-84023D01	Spring, lock
23	4-124837	Washer, lock
24	3-134212	Screw, tapping; 4-40 x 5/16; incl. lock washer
25	80-84177D01	Spark Gap
26	1-80723B65	Chassis, connector
27	3-134169	Screw, tapping; 4-40 x 1/4
28	3-136934	Screw, tapping; 6-32 x 3/8
29	64-84048D01	Plate, locking
30	TLN-4579A	Board, Front Connector

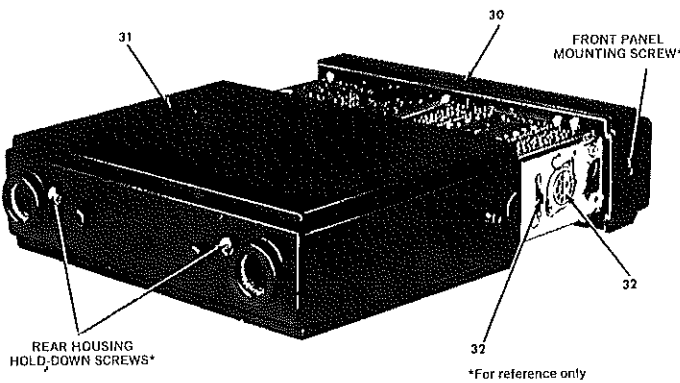
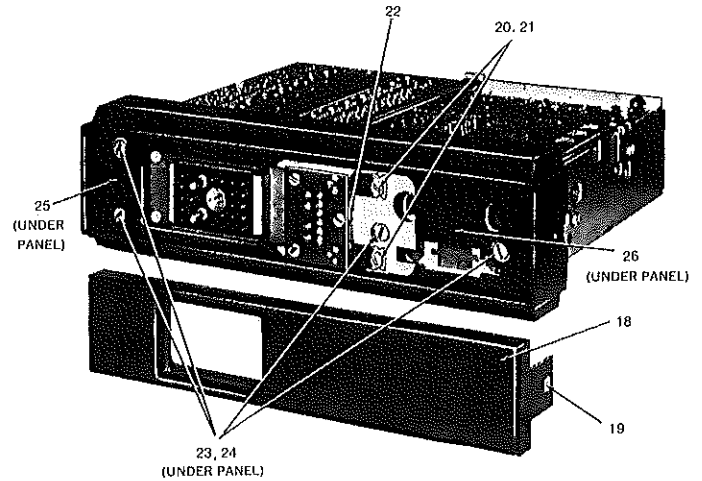
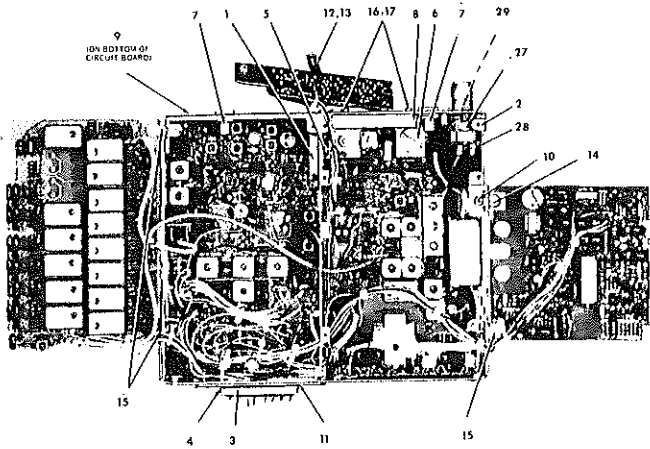
CODE NUMBER	MOTOROLA PART NO.	DESCRIPTION
31	TLN-4295A	Antenna Switch
32	41-84176D01	Spring Latch Lever

Non-Referenced Items

TLN-4574A	Control Board
TLN-4579A	Front Connector Board
TLN-4581A	Audio Filter Board
TLN-4577A	Transient Filter Board
TLN-4578A	Fuse Board
TPN-6064A	13.6V dc Power Converter Board
TPN-6065A	72V dc Power Converter Board
TLN-4576A	High End Regulator Board
TLN-4575A	13.6V Direct Board
TLN-1007C	Mounting Rack
TMN-6002D	Dynamic Handset
TMN-6043B	Dynamic Handset with armored cable



MCR-100 Motorcycle Radio



REF. NO.	PART NO.	DESCRIPTION
30	15-83875F01	Housing, front
31		Housing, rear (THN6179A)
	01-80755B18	Hsng, rear assembly
	38-84776C01	Plug, button
	39-84888A01	Shield, contact
	14-84734A01	Insulator
32	01-80751B48	Metering Socket and Switch
		Assembly includes:
	09-857358	Connector, receptacle; female 12 contact
	40-83204E01	Switch, slide; dpdt
	39-10184A24	Terminal, wire; female (single-contact "push-on" connector)

Non-Referenced Items

PART NO.	DESCRIPTION
14-861196	Insulator, transistor
14-84759C01	Insulator, (3 req'd)
14-84759C02	Insulator
26-83719F01	Shield, circuit brd
26-84855A01	Shield, pla
26-84855A03	Shield, bridge
14-83485A01	Insulator, crystal
50-82182K01	Loudspeaker (magnetic, round 5"; impedance 8 ohms, 15 watt; weatherproof)
28-82546E01	Front Power Plug (29 pin male)

Cable Kit (TKN-6851A)

01-80751B96	LD and contact
28-82546E01	Contact, male; 29 conn
42-10217A02	Strap, cable harness

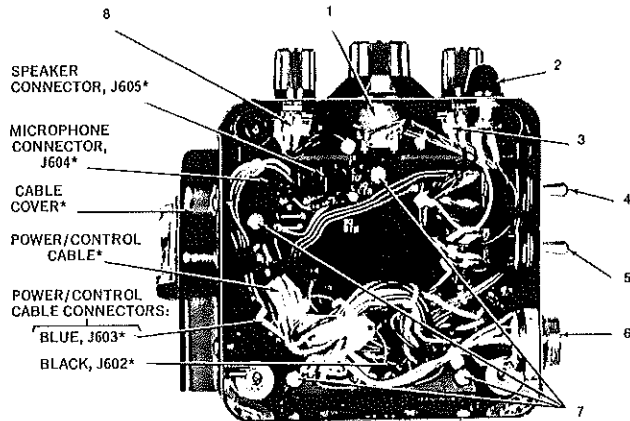
Cable Kit (TKN-6675A)

65-40266	Fuse, cartridge; 1/4" x 1/4"; 10 amp, 32 volt
	Connector, plug; includes
14-84556B01	Body, blk
09-84251B01	Term, female
14-84556B02	Body, blue
09-82547E01	Connector, female; 29 contacts
1-80717A73	Screw and knob assembly
15-82075D01	Shell, right hand
15-82075D03	Shell, left hand
42-864148	Clamp, strain relief cable
37-31922	Sleeve, rubber (for red and blk term)
37-800655	Sleeve, neoprene (for multi conductor cable lead term)
37-61347	Sleeve, neoprene (for anchoring red and blk power cables)
37-830417	Sleeve, rubber (for anchoring multi-conductor cable)
30-84875E02	Cable, special purpose; 27 con'd; (9 ft. length req'd)
09-84239F01	Fuse holder, "in-line" type

REF. NO.	PART NO.	DESCRIPTION
1	14-865875	Insulator, transistor
2	01-80752B69	Chassis
3	07-83582F01	Bracket
4	07-83593F01	Bracket
5	09-82673A01	Socket, transistor
6	26-84906C01	Heat sink
7	43-84699G01	Bushing, threaded, (2 req'd)
8	64-84749A01	Plate, heat sink
9	26-84532G01	Shield
10	07-83814F01	Bracket, hinge adapter
11	14-84036F01	Insulator, connector bracket
12	42-83779F01	Retainer, circuit board
13	14-83864F01	Insulator, connector bracket
14	55-84322G03	Hinge
15	55-84322G01	Hinge
16	03-84723C02	Screw, metric; (M3)
17	04-84718C04	Washer, metric; (M3 external)
18	13-83492F01	Escutcheon
19	05-84220B01	Grommet, (2 req'd)
20	04-84180C01	Washer, shoulder; (2 req'd)
21	43-84379F01	Spacer, (3 req'd)
22	14-84391F01	Insulator, transistor; (2 req'd)
23	04-84788A02	Washer, insulating; (4 req'd)
24	04-84850A01	Washer, shoulder; (4 req'd)
25	14-84734A01	Insulator
26	14-83682F01	Insulator
27	14-84554F01	Insulator (used on BA and BK suffix radio sets)
28	14-82218K01	Insulator (BA and BK suffix radios)
29	03-134212	Screw, tapping 4-40 x 3/8 (BA and BK suffix radios)

Remote Push-To-Talk Switch (TLN-5684A)

PART NO.	DESCRIPTION
1-80757B91	Switch and leads assembly



*For reference only

MCR-100 Control Head

REF. NO.	PART NO.	DESCRIPTION
1	40-83684F01	Channel selector switch (multi-freq. models only)
2	65-861828	Transmit indicator
3	18-82515B54	Volume control
4	40-83477E03	"PL" switch (Private-line models only)
5	40-83477E01	On/Off switch
6	09-82413B01	Microphone connector
7	03-7247	Circuit board mounting screws (4)
8	18-82515B54	Squelch control

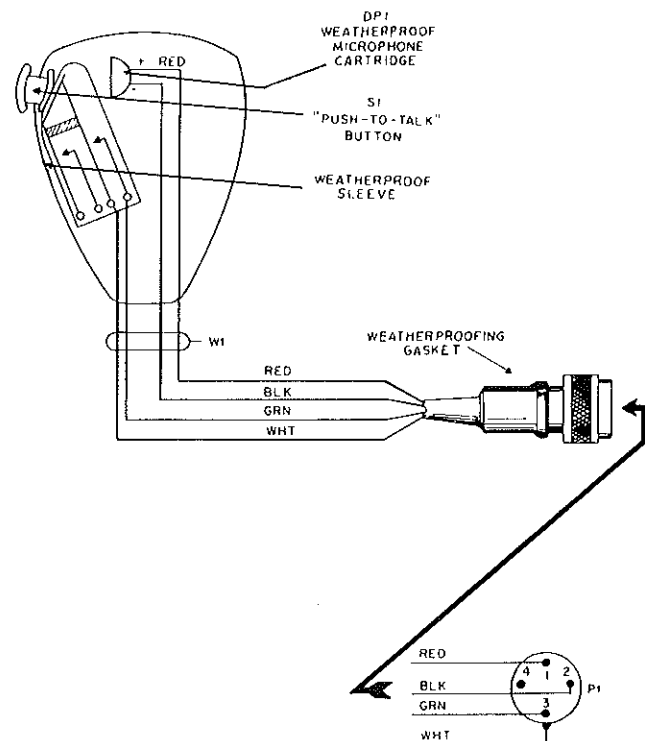
Non-Referenced Items

PART NO.	DESCRIPTION
02-7005	Nut, machine; 6-32 x 1/4" x 3/32" hex
02-115013	Nut, machine; 3/8-32 x 1/2" x 3/32" hex
02-120908	Nut, machine; 1/2-32 x 3/16" x 3/4" hex
03-120622	Screw, machine; 6-32 x 1/4" Phillips binder head
03-131646	Screw, machine; 8-32 x 3/8" Phillips round head
03-139096	Screw, machine; 6-32 x 3/4" Phillips round head
04-9795	Lockwasher; No. 6 split
04-114201	Washer; 0.156" x 0.25" x .015"
04-114441	Washer; 0.156" x 0.312" x .03"
04-129054	Lockwasher; 3/8" internal
04-132718	Lockwasher; 7/16" internal split
04-82418B01	Washer, insulating
13-82143J01	Grille, speaker
13-82414B02	Bezel, speaker
14-83958F01	Insulator
29-3014	Lug, soldering; No. 6
32-82407B01	Gasket, grille
32-82408B01	Gasket, speaker
32-82412B01	Gasket, cover
35-849451	Cloth, grille
36-82629H01	Knob, control
42-10217A02	Strap, cable harness
42-83811F01	Clip, cable
43-82896A01	Bushing, waterproof seal
46-82930B01	Stud, threaded

PART NO.	DESCRIPTION
64-82406B01	Plate, gasket
39-10184A24	Contact, wire termination; female
36-83685F01	Knob, control (selector switch)
43-83686F01	Collar, selector switch indexing
04-7641	Washer; 0.391" x 0.562" x .033"
04-83687F01	Washer, "switch-stop"
14-83958F01	Insulator, paper; includes self-adhesive backing

Sleeve, heat-shrinkable: number-coded as indicated

37-82603D01	1 (all models)
37-82603D60	(blank) (all models)
NOTE: The following sleeves are used in multi-freq. models only.	
37-82603D02	2
37-82603D03	3
37-82603D04	4
37-82603D05	5
37-82603D06	6
37-82603D07	7
37-82603D08	8
37-82603D09	9
37-82603D10	10

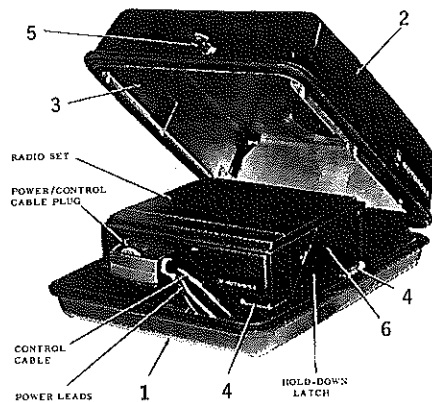
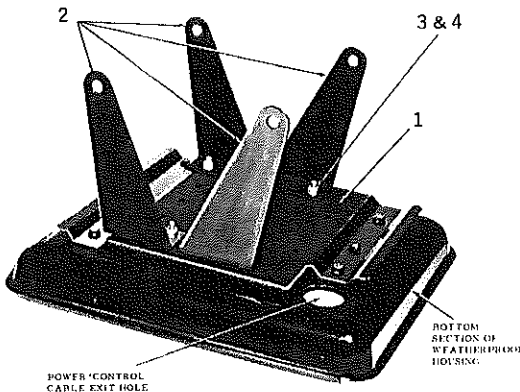
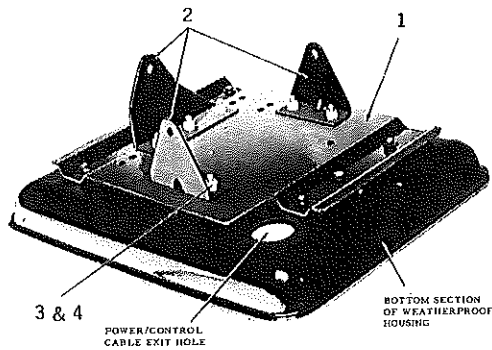
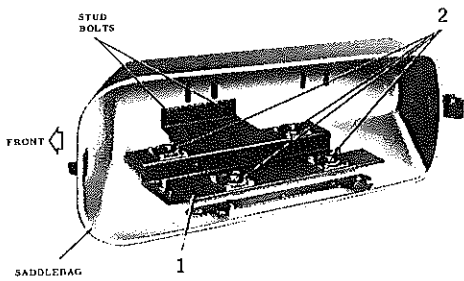
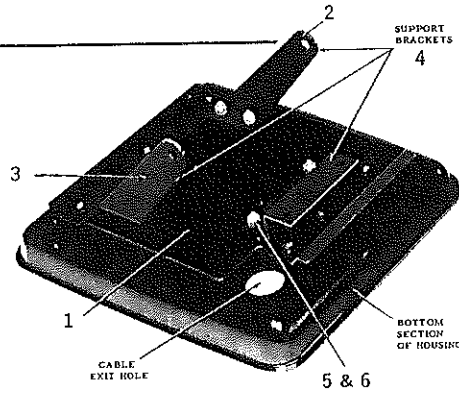

TMN-6102A Weatherproof Microphone

PART NO.	DESCRIPTION
59-83272G01	Cartridge, microphone; incl. transistor amplifier
1V80762B54	Cord, microphone; assembly; incl. 30-82565B08 cord, coiled; incl. connector, plug and switch 40-82263G01
1V80720A95	Housing assy, back
38-852699	Button, push
15-82701B03	Housing, front
42-852710	Strap, strain relief
32-82703B01	Gasket, microphone
43-82706B01	Sleeve, switch
42-82702B02	Retainer, cartridge



MCR-100 Motorcycle Radio

Mounting Hardware



Honda

REF. NO.	PART NO.	DESCRIPTION
1	64-83673F01	Plate, mounting
2	07-83781F02	Bracket, left hand
3	07-83781F01	Bracket, right hand
4	07-83782F01	Bracket, center
5	02-10473A05	Nut, lock; nylon insert 1/4-20
6	03-119893	Screw, cap; 1/4-20 x 3/4" plain hex head

Saddle Bag

REF. NO.	PART NO.	DESCRIPTION
1	64-84574F01	Plate
2	01-80766B29	Shock Mount Assembly

NON-REFERENCED ITEMS

PART NO.	DESCRIPTION
07-82595B03	Bracket, antenna mounting
42-82594B01	Clamp, cable

Moto-Guzzi

REF. NO.	PART NO.	DESCRIPTION
1	64-83673F01	Plate, mounting
2	07-83676F01	Bracket, front
	07-83780F01	Bracket, rear
3	02-10473A05	Nut, lock; nylon insert 1/4-20
4	03-119893	Screw, cap; 1/4-20 x 3/4" plain hex head

Harley-Davidson

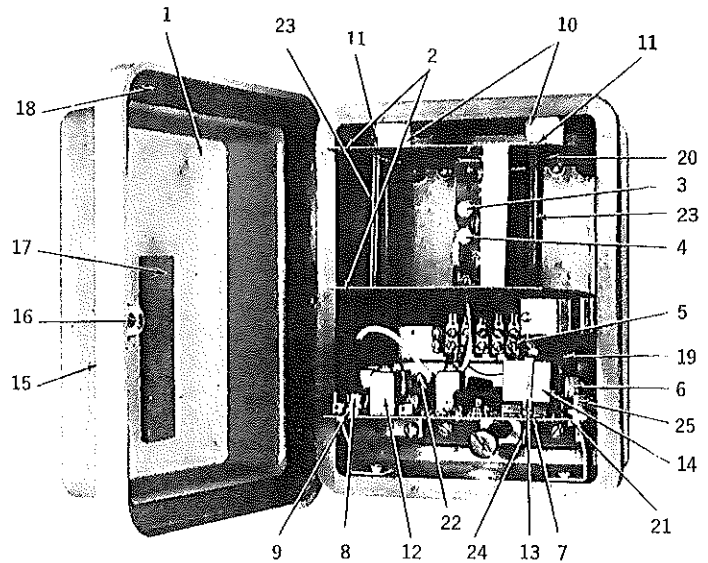
REF. NO.	PART NO.	DESCRIPTION
1	64-83673F01	Plate, mounting
2	07-83785F02	Bracket, front and rear (left hand)
	07-83785F01	Bracket, front and rear (right hand)
3	02-10473A05	Nut, lock; nylon insert 1/4-20
4	03-119893	Screw, cap; 1/4-20 x 3/4" plain hex head

Weatherproof Enclosure

REF. NO.	PART NO.	DESCRIPTION
1	01-80754B49	Housing, bottom
2	01-80751B51	Housing, top
3	26-83675F01	Shield, ground plane
4	01-80766B29	Mount, shock (includes nut)
5	55-83817F01	Lock, waterproof; does not include: cam, 45-83910F01, key, 55-893872, and catch lock 55-83818F01
6	01-80755B05	Mounting Frame, including bushing, 43-84896A01 (2 req'd).

METROCOM Signpost Transmitter

REF. NO.	PART NO.	DESCRIPTION
1	15-82655K01	Housing, CTA Mount (T-1801)
	15-82655K02	Housing, Pole Mount (T-1782, T-1803)
	15-82655K03	Housing, DC Power (for battery) (T-1803)
2	15-82655K04	Housing, Vert Mount (T-1802)
	1-80758B72	Antenna Assembly; includes 84-84268K01 brd, ckt; 85-83981K01 antenna copper; 5-8497 rivet; 3-82126B03 screw (nylon 10-32 x 1/2" 4 req'd) and 43-83976K01 spacer nylon (2 req'd)
3	20-82399D07	Capacitor (C101)
4	20-82399D05	Capacitor (C102)
5	31-848888	Term Board
6	15-83498F06	Plug
	28-83441F07	Jack, Male 6 Contact Wht
7	TTD-6202A	Transmitter Board, DC Power 150.8-162 MHz (for ref only)
	TTD-6203A	Transmitter Board, DC Power 162-174 MHz (for ref only)
	TTD-6192A	Transmitter Board, 150.8-162 MHz (for ref only)
	TTD-6193A	Transmitter Board, 150.8-162 MHz (for ref only)
8	1-80758A52	Plug and Lead Assembly
9	9-84231B02	Jack, Female Phono type
10	43-83975K01	Spacer, nylon (2 req'd)
11	3-82126B03	Screw, nylon 10-32 x 1/2" (4 req'd)
12	26-84598A01	Coil Shield (4 req'd)
13	42-83716F01	Resonator Holder Clip, Crystal
14	K-1017A	Crystal Resonator (for ref only)
15	55-83979K02	Lock (not shown)
16	55-83980K01	Latch
17		Part of housing
18		Part of housing
19	25-84077E01	Power Transformer
20	5-8497	Rivet
21	45-83914G03	Guide, Card
22	1-80729B28	Programming Jumpers (JU6-JU14)



REF. NO.	PART NO.	DESCRIPTION
23	43-83976K01	Spacer, nylon 3" long approx (2 req'd)
24	1-80758B65	Captive Screw Assembly includes 3-84019K02, screw, 43-84019K03, ferrule, 41-84019K04, spring, and 42-84019K05, washer retaining

NON-REFERENCED ITEMS

PART NO.	DESCRIPTION
42-82690A01	Clip, fuse
65-20987	Fuse, 1/4 amp, 200V (TTD-6202, TTD-6203)
65-474899	Fuse, 1/8 amp, 200V (TTD-6192, TTD-6193)
39-10184A30	Contact, chain form (31 req'd)
60-84000K01	Battery, 6V ni-cad (2 req'd) (p/o TPN-6080A, kit)
5-84151K01	Grommet
28-15165A06	Test Point 1 (yel)
28-15165A04	Test Point 2 (grn)
28-15165A01	Test Point 3 (wht)
42-10128A05	Washer, Rubber
3-1987	Screw, 8-32 x 3/16" slotted binder, (4 req'd)
4-135069	Washer, flat .172" x 3.75" x .036" SST (4 req'd)
2-1355	Nut 8-32 x 3/8" x 1/8" SST (4 req'd)
4-2646	Washer ext #8 SST (4 req'd)
3-1930	Screw 4-40 x 3/8" (4 req'd)
3-1943	Screw 4-40 x 1/2" (1 req'd)
3-122318	Screw, 6-32 x 3/8" (4 req'd)
3-131489	Screw, 10-32 x 1/4" (2 req'd)
4-1706	Washer, flat .203-.375-.033, (2 req'd)
4-7683	Lockwasher, #4 internal, (5 req'd)
4-84037A01	Washer, rubber (2 req'd)
7-83970K01	Bracket, pole mounting
7-83974K01	Bracket, pole mounting vert (grn-CTA)
7-83974K02	Bracket, mounting vert
7-84016K01	Bracket, mounting pole (17")
7-83973K01	Bracket, battery clamp (THN-6261 only)
1-84021K01	Hub Assembly includes: 43-84021K02, threaded hub, 42-84021K04 "O" ring, 3-84021K03, cap threaded
4-7607	Washer, flat .125"-.281"-.027" (4 req'd)
4-135973	Washer, flat .766"-.125"-.048" (2 req'd)
22-82202L01	Pin, (2 req'd)
27-83969K01	Chassis (not used in THN-6226A)
37-83990K01	Tubing, conduit 1/2" (use in THN-6261A)
TAD-6162A	Antenna on TCN-1129A (location system only)
TAD-6163A	Antenna (location system only)

TTN-6015A Hardware Kit (Dual Mounting)*

PART NO.	DESCRIPTION
3-83982K01	U-Bolt (3/8" x 18)
2-1382	Nut (3/8" x 18 SST) (2 req'd)
4-120839	Lockwasher (3/8" external) (2 req'd)
1-80758B66	Bracket Assembly (riveted)

TTN-6008A Hardware Kit (Vertical Mounting)*

PART NO.	DESCRIPTION
3-121426	Bolt, carriage 1/4"-20 x 1" (2 req'd)
4-136592	Washer .266 x .500 x .063" SST (2 req'd)
4-9747	Washer, split 1/4" SST (2 req'd)
2-1384	Nut, 1/4-20 x 3/8" x 3/8" SST (2 req'd)

TTN-6010A Hardware Kit (Pole Mounting)*

PART NO.	DESCRIPTION
3-83982K01	U-Bolt 3/8" x 18
3-1382	Nut, hex 3/8" x 18 (2 req'd)
4-120839	Washer 3/8" external; SST (2 req'd)
1-84020K01	Bolt, toggle 3/8" x 18 (2 req'd)
1-80758B61	Bracket Assembly (riveted)

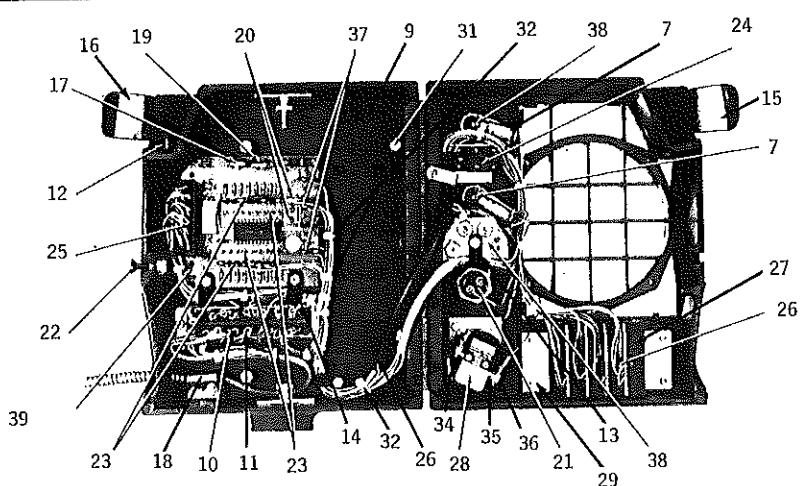
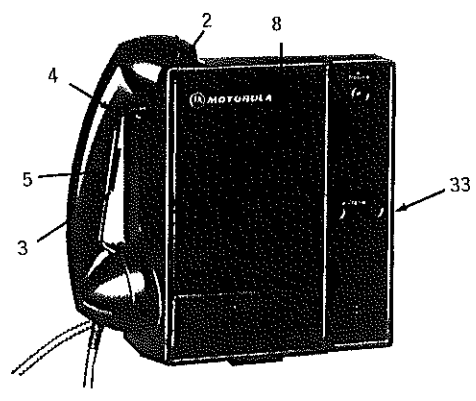
TTN-6011A Hardware Kit (CTA Mounting)*

PART NO.	DESCRIPTION
7-84018K01	Bracket, "L" (grn)
43-83977K01	Spacer, 2" diameter
4-83984K01	Washer, aluminum
4-84022K01	Washer, square (2 req'd)
3-83986K01	Bolt, 3/8" x 14
2-83987K01	Nut, hex 3/8" x 14
4-139618	Lockwasher 3/8" external (2 req'd)

*for reference only

METROCOM System

Parts Lists



Control Head TCN-1128A

REF. NO.	Motorola PART NO.	DESCRIPTION
1	30-864145	Handset Cord-5 Cond. (Not Armored See 6)
2	15-83982F01	Cap, Receiver
3	15-84053A01	Cover, Switch (Not Shown)
4	15-84605F01	Housing, Handset w/XMTR Cap
5	40-83985F01	Switch PTT
6	30-83847E01	Cable, Armored (Similar to 1)
7	9-82685G01	Lamp, Socket
8	13-84999G01	Escutcheon-Nameplate
9	15-84962G01	Housing
10	1-80744B62	Plug Assy-On Units Prior to 11/73 includes 4-7569, flat washer; 28-83628F01, connector 32 pin; and 43-83712F01, bushing
	28-82148G01	Plug Assy—Used on Units After 11/73
	37-800655	Sleeve, Neoprene (28 used)
11		
12	40-82737G02	Hookswitch—S1 (SPST)
13	42-82143C01	Cable Clamp
14	42-82143C02	Cable Clamp
15	42-83456F01	Handset Retainer (clamp) Right
16	42-83456F02	Handset Retainer (clamp) Left
17	18-83083G03	Vol Control Pot—R118
18	42-83055A01	Cable Clamp
19	18-83083G03	Squelch Control R-120
20	Common Wire	Bare Jumper Wire
21	40-83987H01	Key Switch—S5, Includes Nut
22	3-83094F01	Security Screw—10-32 Special
23	29-84547B03	Thumbwheel Cable Connections
24	40-83098A01	Switch—Pushbutton, S2 Call Request
25	14-84556B18	Connector Housing—blk
26	TKN-6646A	Cable Kit (for ref only)
27	40-83800F01	Thumbwheel Switch
28	80-84014A01	Transducer Piezo Electric LS1
29	7-83052F01	Bracket Thumbwheel
30	15-84055A01	Cap, Xmitter
31	3-83139F01	Captivated Mfg Screw 10-32 (4 req.)
32	42-10217A02	Tie Wrap Nylon (Approx. 16 Used)
33	34-83089F01	Channel Indicator p/o TRN-6529A Kit
34	7-84253K01	Bracket, top
35	7-84254K01	Bracket, bottom (Not Shown)
36	43-82377B76	Spacer (2 req.) (Not Shown)
37	1-80729B28	Programming Jumpers, Vehicle ID Ju 101-116
38	65-134111	Lamp, Incandescent, 12V DS1-D56
39	TLN-5216A	Programming Board (for ref. only)

NON-REFERENCED PARTS

PART NO.	DESCRIPTION
29-847033	Insulated Lug (2 req)
3-124432	Machine Screw 4-40 x 1/4" Phl fly (2 req)
32-82942B03	"O" Ring Gasket
59-82933C01	Transmitter Cartridge DP1
59-82933C02	Transmitter Cartridge DP1
59-84058A01	Use 59-83308F01
7-84427G01	Bracket Armored Cable
46-83974F01	Wt Handset
14-84318F01	Ins Handset Wt
2-82419B04	Nut Elastic Stop
3-122931	Machine Screw—6-32 x 7/16 hex hd (2 req)
3-134184	Tapping Screw—4-40 x 3/16 Phl hex (6 req)
3-134268	Tapping Screw—4-40 x 7/16 Phl hex (2 req)
3-134269	Tapping Screw—6-32 x 1/2 Phl hex (4 req)
3-136138	Tapping Screw—6-32 x 3/8 Phl hex (1 req)
3-83139F01	Special Screw 10-32 (4 req)
22-83054F01	Pin Guide (2 req)
29-5242	Lug, Solder Brnz Plated (2 req)
55-82000H02	Key (for Keypresswitch S5)
54-82728C01	Warning Tag
60-82197H01	Socket and Jewel
75-82281H02	Rubber, Pad (2 req)
75-84451D01	Rubber Pad (2 req)
46-83974F01	Weight, Handset
14-84318F01	Insulator Weight
66-83226F01	Wrench Security p/o TLN-5228A Kit
9-84151B01	Connector Singular (20 per pk)
9-84151B03	Connector Chain Link (5 per pk)
13-83056F01	Esc. Thumbwheel p/o TRN-6528A
3-114250	Mach Screw 4-40 x 7/8 (2 req)
2-131435	Nut 4-40 (2 req)
3-488229	Screw 5-40 x 7/8 Slt Rnd Hd. (2 req)

Call Request Switch and ID Acknowledge Indicator Options:

PART NO.	DESCRIPTION	CORRESPONDING OPTION NO.
65-134111	Lamp, incandescent; 12V	D109AA, AB, AC, AD, AE, and AF
13-84998G01	Escutcheon (plain)	D109AA
34-83089F01	Panel, indicator (plain)	D109AA
13-84998G11	Escutcheon (ID Acknowledge)	D109AB
13-84998G09	Escutcheon (4 freq.)	D109AB
13-84998G12	Escutcheon (ID Acknowledge)	D109AC
13-84998G05	Escutcheon (Control Keyswitch)	D109AC
13-84998G07	Escutcheon (ID Acknowledge)	D109AD
13-84998G05	Escutcheon (Control Keyswitch)	D109AD
13-84998G09	Escutcheon (4 freq.)	D109AD
13-84998G13	Escutcheon (4 freq. Control Keyswitch)	D109AE
13-84998G01	Escutcheon (plain)	D109AE
13-84998G11	Escutcheon (ID Acknowledge)	D109AF
13-84998G07	Escutcheon (ID Acknowledge)	D109AF
13-84998G05	Escutcheon (Control Keyswitch)	D109AF

Common Mechanical Parts

2-8382	Nut, 15/32-32 x 3/16 x 3/32"
7-84923D01	Bracket (F1-F2 switch)
43-84925D01	Collar, (F1-F2 switch)
60-82197H03	Socket and Jewel

Operator Programmable Thumbwheel Switch Options:

PART NO.	DESCRIPTION	CORRESPONDING OPTION NO.
40-83800F01	Switch, Thumbwheel	D108AA, D108AB, D108AC
13-83056F06	Escutcheon, Thumbwheel	D108AA
13-83056F02	Escutcheon, Thumbwheel (plain)	D108AB
13-83056F03	Escutcheon, Thumbwheel	D108AC

Common Mechanical Parts

3-134184	Screw, tapping 4-40 x 3/16" (4 req)
3-135574	Screw, tapping 6-32 x 1/4"
7-83052F01	Bracket, thumbwheel
42-13135	Clamp, cable

Channel Indicator Options:

PART NO.	DESCRIPTION	CORRESPONDING OPTION NO.
65-134111	Lamp, Incandescent; 12V	D129AA
13-84998G09	Escutcheon (4 freq.)	D129AA

Common Mechanical Parts

37-82603D04	Sleeving, Coded #4; (2 req)
37-82603D03	Sleeving, Coded #3; (2 req)
39-10184A24	Contact, chain form (4 req)

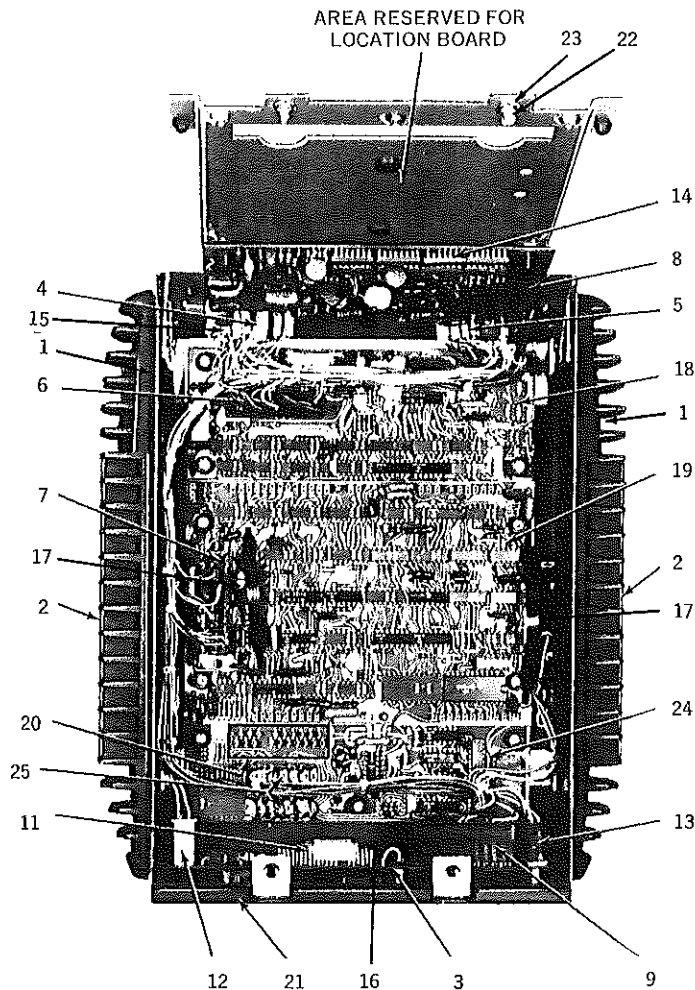
On-Off Switch Options:

PART NO.	DESCRIPTION	CORRESPONDING OPTION NO.
40-83987H01	Switch; spst; includes Nut mounting; 55-82000H02 Key (2 req)	D130AB,
34-83089F01	Panel, indicator	D131AA
13-84998G01	Escutcheon (plain)	D131AA

Common Mechanical Parts

4-136161	Lockwasher, 3/4" internal	D131AA
----------	---------------------------	--------

DATA SUPPORT UNIT



REF. NO.	PART NO.	DESCRIPTION
1	1-80744B40	Heat Sink (2 Req)
2	15-83124G01	Cover, Housing Pointed (2 Req)
3	1-80758B32	Ckt Brd, Eyeleted
4	28-82546E01	Plug 29 Pin Male (J1) Back Shown
5	28-802820	Plug 19 Pin Male (J2) Back Shown
6	14-84556B01	Connector Housing (P100) Black 20 Pin
7	14-84556B01	Connector Housing (P200) Black 20 Pin
8	14-84556B01	Connector Housing (P300) Black 20 Pin
9	14-84556B01	Connector Housing (P401) Black 20 Pin
10	9-82732	Skt 12 Pin p/o TRN-6115A
11	9-84151B03	Receptacle, Cont. (6 Used on difference plugs)
12	14-84590B06	Connector Housing, Yellow 5 Pin (P404)
13	14-84590B01	Connector Housing Black 5 Pin (P403)
14	TLN-5212A	Modem Brd (for ref only)
15	37-800655	Sleeve Insulator, Neoprene
16	29-84547B03	Pin Contact (50 Used)
17	55-84300B04	Handle Plastic
18	TRN-6120A	Encoder (for ref only)
19	TRN-6114A	Decoder (for ref only)
20	14-84556B01	Connector, Housing (P700)
21	42-83076F01	Clip, Recept (2 Used)
22	46-859476	Stud
23	42-83075F01	Retainer
24	—	Option Board (for ref only)
25	—	Secondary Programming Jumpers (for ref only)

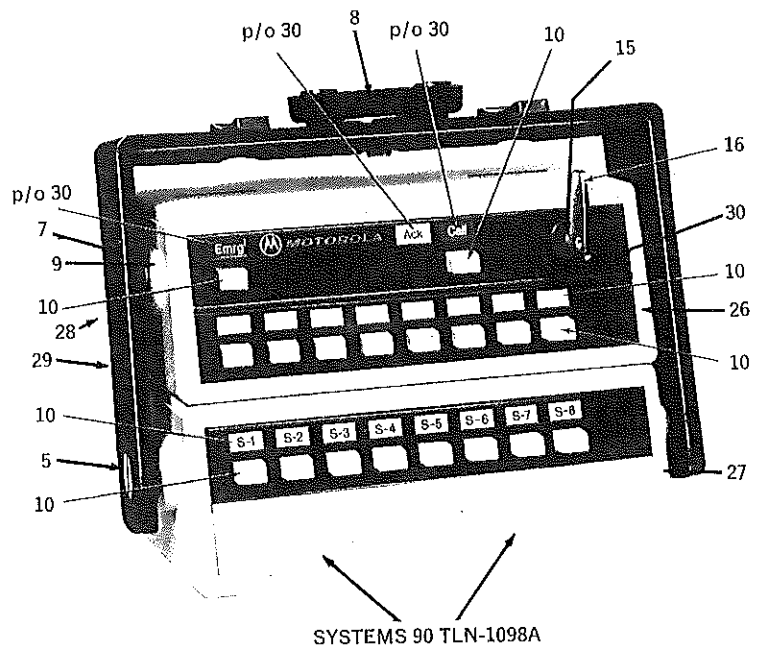
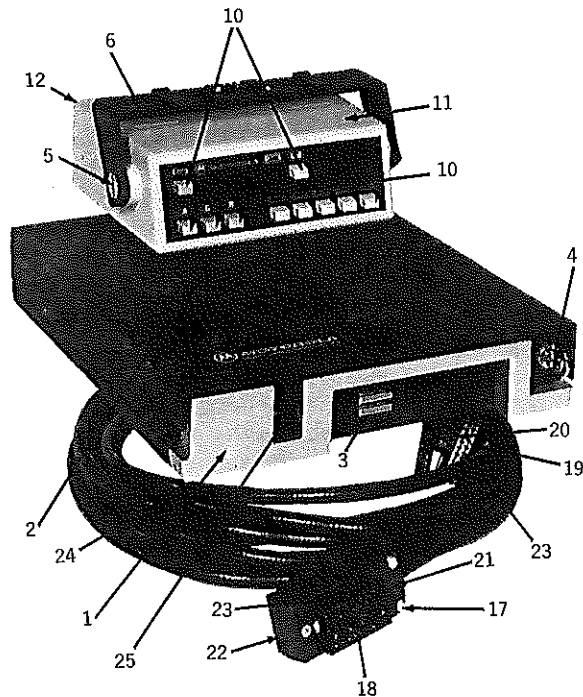
NON-REFERENCED ITEMS

PART NO.	DESCRIPTION
1-80744B52	Housing, Top Riveted
1-80744B54	Cover Bottom Riveted
1-80758B04	Ins Modem Eyeleted
2-7005	Nut 6-32 x 1/4 x 3/8 (Hex) (1 Req)
3-119947	Screw Topping 6-20 x 3/8 Phl Pan (2 Req)
3-132840	Screw Mach 8-32 x 3/8 Phl Bin (4 Req)
3-134294	Screw Tapping 6-32 x 3/8 Pln Hex (8 Req)
3-135111	Screw Tapping 4-40 x 3/8 Phl Hex (5 Req)
3-136081	Screw Tapping 6-32 x 3/8 Phl Oul (4 Req)
3-138097	Screw Mach 6-32 x 3/8 Phl Pan (2 Req)
3-139048	Screw Mach 8-32 x 3/8 Phl Bin (6 Req)
3-892219	Screw Mach One Way Slot (2 Req)
7-84988G01	Bracket, Retaining (2 Req)
26-83395K01	Connector Shield (1 Used)
33-84982G01	Nameplate (1 Used)

PART NO.	DESCRIPTION
38-83168K01	Btn Plug Nylon (10 Used)
41-84981G01	Lock Spring (1 Used)
55-84985G01	Lock (1 Used)
80-84997G01	Relay Reed (1 Used on TRN-6117 and 18 Brd; 1 Used on Encoder Brd)
9-82732	Socket 12 Pin (1 Used)
43-84979G01	Spacer, Conn (1 Used)
80-84997G02	Relay Used On Encoder Board
37-31922	Sleeve Rubber
43-82760K01	Spacer (3 Used)
42-10219A17	Retainer, G Ring STL OIL
41-84983G01	Spring Retainer on Decoder Board (4 Used)
42-84284B01	Retainer on Decoder (4 Used)
80-84157B01	Relay 2 on Interface Board, 1 on Encoder (PTT Cont)

MODAT System

CONTROL HEAD AND LOGIC PACKAGE



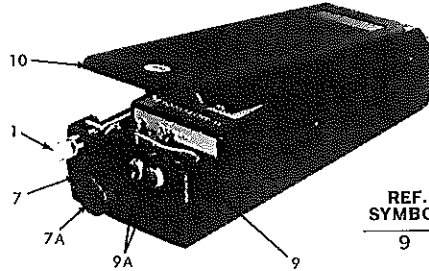
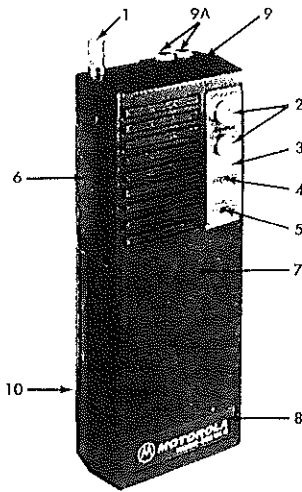
REF. SYMBOL	PART NO.	DESCRIPTION
1	55-84661E01	Handle
2	15-84660E01	Housing
3	33-84673E02	Nameplate
4	55-84101B01	Lock, Includes Keys 2135
5	3-84546B01	Screw Special (2 Req Per Hsng)
6	7-84576B01	Trunnion—Short
7	7-84809B01	Trunnion—Long
8	42-84963C01	Retainer
9	58-84318C01	Clutch Adapter (not actually shown) (2 Req)
10	Button	See Micor System 90 Section For Part Number and Color
11	1-80735B36	Housing—Single
12	15-84268C02	Rear Cover (not actually shown)
13	3-115727	Lockscrew
14	49-84961C01	Breakaway Disc
15	40-84686G01	Keypad—S801
16	55-84851E01	Key (to be programmed) TLN-4922B and 23B
17	3-138901	Screw 6-32 x 3/8 Phil Bin (3 used)
18	9-84086B02	Recp Female (37 line)
19	14-84556B11	Connector, Housing (grey)
20	14-84556B13	Connector, Housing (dark blue)
21	15-84664E01	Plug Housing—Cover Front
22	15-84665E01	Plug Housing—Cover Rear
23	9-84151B05	Contact, (Approx 70 Used)
24	1-80743B69	Cable Assy (8 ft) less plugs, includes contacts shown above 9-84151B05
	1-80743B70	Cable Assy (22 ft) less plugs, includes contacts shown in ref 23
25	28-84085B01	Connector Plug (J1)
26	1-80735B36	Housing; Note: 1-80717B55 may be used by cutting front panel for keypad opening
27	1-80717B55	Housing—bottom section
28	15-84268C02	Rear Cover, (not actually shown)
29	15-84268C03	Rear Cover, (not actually shown)
30	13-84869E01	Escutcheon, (includes acknowledgement indicator, call indicator and emergency indicator)

NON-REFERENCED ITEMS

PART NO.	DESCRIPTION
1-80736B41*	Bottom Cover, Riv Assy includes (Logic Unit) 1 ea 64-84662E01, Cover Bottom; 1 ea 41-84667E01, Spring, Chas Front; 1 ea 7-84669E01, Spring Brkt; 5 ea 5-7707, Rivets; 1 ea 5-129836, Rivets
3-122449*	Screw 6-32 x 1/2 Phil flt (1 used)
3-134184*	Screw 4-40 x 3/8 Phil hex (3 used)
3-136934*	Screw 6-32 x 3/8 Phil hex (2 used)
4-122928*	Washer #6 Ext Lock
7-84666E01*	Bracket, Handle (2 used)
22-10133A16*	Pin, .812 x .122 (not guide pin on bottom)
41-84246D02*	Spring
42-84672E01*	Cam Retainer
45-84671E01*	Cam Lock
64-84674E01*	Cover Plate
75-84838E01*	Rubber Bumper (2 used)
3-84322C01	Thumbscrew (for rear cover 2 req)
3-136756	Tapping Screws, Mount Retainer to Dash or Hump
42-867839	Cable Clamp—Cont Hd.
42-893464	Hook—S—Connects to above clamp & Cont Hd.
THN-6148A	Single Housing
THN-6150A	Double Housing
13-84869E11	Escutcheon—Totally Blank
29-83167C01	Term Conn—Strain Relief on Ack. Brd (26 used)
65-84047E01	Encapsulated Lamp Assy 2 on TLN-4716A and TLN-4718B
65-84047E01	Encapsulated Lamp Assy 3 on TLN-4717B and TLN-4719B
40-84324C02	Switch, 2 Pole push-push on TLN-4916B-4919B Brds
40-84324C14	Switch 8 Sect Interlock, S901A-H p/o TLN-4896B and TLN-5771A
65-83554G01	Lamp Incandescent—TLN-4897B Wedge Base
40-84324C16	Switch Assy 8-2 Pole Momentary, TLN-4898
38-84617C01	Message Board
TLN-4347A	Stopper-Button
40-84324C15	Installation Kit
40-84324C06	3 Sec; 2 Pole; Momentary Lockout; TLN-4900A
	Mess—STAT Brd.
	5 Sec; 2 Pole; Interlocking/lockout; TLN-4900A
	Mess—STAT Brd.

*Items used on logic unit housing

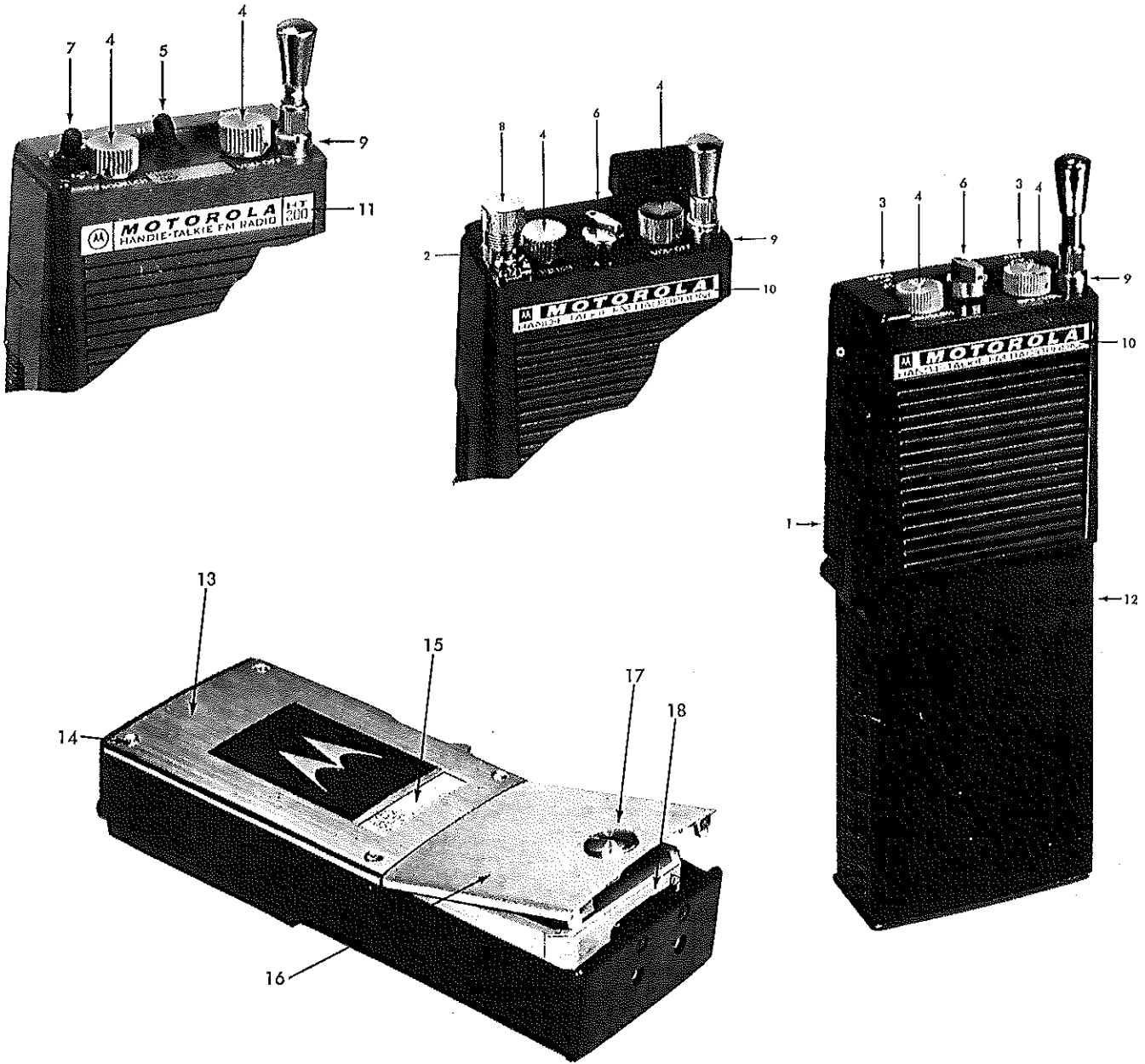
HANDIE-COM Radio



**H21TTN, H23TTB,
H23RRB & H23RRU**

REF. SYMBOL	PART NUMBER	DESCRIPTION
9	NLB-6172A NLB-6173A NLD-6346A (Includes)	Back housing (30-40 MHz) Back housing (40-50 MHz) Back housing (150.8-174 MHz) (H23 RRB & H23 RRU) 1-80702C47 cover & battery contact assembly riveted 32-5283D01 Gasket, housing ("O" ring type) (Replaces 32-82172J05) 65-82291J01 Fuse (1A Pigtail 8AG) (Replaces 65-82297J01) 3-82210E05 Screw captive (6 used) 4-82418B09 Washer, nylon (6 used) 7-82299J01 Bracket, antenna Jack miniature (spkr & ant.) Nut, spanner (Washer, nylon) 15-83526C01 Cap, threaded (spkr & ant. jacks)
9A	9-82684D02 2-82653D01 4-82418B09 15-83526C01	used w/vol. squelch & freq. knobs
10	NLN-8016A (Includes)	Battery cover 15-5228B02 cover (Replaces 15-82321J01) 3-82301J01 screw captive
NON-REFERENCED ITEMS		
	60-82324J01	Nickel cadmium battery (Replaces NLN-8002A)
	60-82325J01	Mercury battery (Replaces NLN-8095A)
	60-82387J01	Rapid charge Ni-cad battery (Replaces NLN-8096A)
	NLN-8106A	Battery holder (for 10 "AA" mercury or alkaline cells.)
	60-84306A65	"AA" mercury cells (Replaces NLN-8104A)
	60-82389J01	"AA" alkaline cells (Replaces NLN-8105A)
	NMN-6055B	Microphone, coiled cord (Uni. models) (Replaces NMN-6055A)
	NMN-6059B	Speaker/microphone coiled cord (uni. models) (Replaces NMN-6059B)
	NSN-6008A	Lapel speaker (all models)
	NSN-6011A	Ear piece, with volume control (all models)
	NLN-8004A	Battery charger, single unit (rapid charge) (for NLN-8096 battery)
	NLN-8005A	Battery charger, single unit (for NLN-8002 battery)
	NLN-8205A	Battery charger, multiple unit (for NLN-8002 battery)
	NLN-8206A	Battery charger, multiple unit (rapid charge) (for NLN-8096 battery)
	1-5954D41	Rapid charger power supply (multiple unit rapid charge) (Replaces NLN-8207A)
	15-82501J02	Cover, carrying case (uni. models) (Replaces NLN-8003A)
	15-82501J01	Cover, carrying case (internal spkr./mic. models) (STD.) (Replaces NLN-8006A)
	15-5778B01	Carrying case (all models) (Replaces NLN-8018A)
	NLN-8007A	Lavalier & lanyard (all models)
	42-82608H01	Carrying strap (all models) (Replaces NLN-6349A)
	NKN-6157A	Alignment cable kit (all models)
	85-82283J01	Antenna heliflex (150.8-162 MHz) (Replaces NAD-6219A)
	85-82283J02	Antenna heliflex (162-174 MHz) (Replaces NAD-6220A)
1	85-82326J01	Collapsible, antenna (low band) (Replaces NAB-6210A)
	85-5549E01	Collapsible, antenna (high band) (Replaces NAD-6211A)
2	18-82265J01	Volume pot w/switch
	18-82255J01	Squelch pot (10k)
	36-82262J01	Knob (volume & squelch)
	3-82617J01	Set screw
	4-82616J01	Washer
	2-82268J01	Nut
3	13-82271J01	Escutcheon (1 freq./C.S.)
	13-82271J05	Escutcheon (1 freq./P.L.)
	13-82271J03	Escutcheon (2 freq./C.S.)
	13-82271J07	Escutcheon (2 freq./P.L.)
	13-82271J09	Escutcheon (3 freq./P.L.)
	13-82271J11	Escutcheon (4 freq./P.L.)
4	40-5337B01	Switch toggle (2 freq.) (Replaces 40-82404J02)
	40-5462B01	Switch rotary (3 & 4 freq.) (Replaces 40-82775J01)
	36-82774J01	Knob (3 & 4 freq.)
5	40-82085J01	Switch toggle (P.L.)
	32-5755A01	Boot, sealing (used w/4 & 5 freq. toggle switch)
6	40-82191J01	PTT switch (Replaces 1-80702C22)
	36-82328J01	PTT lever
	41-82680D03	Return spring
7	NLN-8009A	Front cover (internal spkr/mic) (C.S. & P.L.) H21 & H23
	NLN-8010A	Front cover (external mic) C.S. & P.L. H21
	NLN-8194A	Front cover (internal & external mic) (UNI. & UNI P.L.) H23
	1-80702C48	Assem Front cover riveted (Std.) (w/PTT button & spring)
	1-80702C49	Assem front cover riveted (UNI) (w/PTT button & spring)
	50-83466D04	Speaker 18 ohm (2" dia)
	14-82282J01	Insulator speaker
	75-82154D23	Pad (cover)
	59-82575J02	Cartridge (mic) (Replaces 59-82575J01)
	35-5459B01	Diaphragm (u/w mic) (Replaces 35-82746J01)
	75-82745J02	Pad (u/w mic) (Replaces 75-82745J01)
	32-82744J01	Gasket (u/w mic)
	7-82743J01	Bracket (u/w mic)
	3-490352	Screw (2-56 x 5/32) (u/w mic)
	35-82258D03	Grille cloth
	09-82905J01	4 contact, Female conn. (for remote mic) (Replaces 9-82306J01)
	32-82828J01	Gasket (for remote mic)
	43-82312J01	Spacer (mic. conn) (for remote mic)
	43-82304J03	Spacer (finished) (for remote mic)
	2-82295J01	Nut, spanner
7A	1-80705C27 (includes)	Cap & pad assembly 15-82480J01 cap 75-82766J01 pad
8	33-82305J01	Name plate, Logo

HT-200 Portable Radio



H21, H23, H24 DCN and DEN SERIES

REF. SYMBOL	PART NUMBER	DESCRIPTION	REF. SYMBOL	PART NUMBER	DESCRIPTION
1	38B82657D02	Lever, PTT		1V80753A75	P.T.T. Switch Assem. Used on Carrier and Private Line Squelch, Universal Internal and External Microphone units only (Resistor 6R129753-100-1/4w-10% Must be Added Between B2 and C1 Contacts of Switch)
	3A82773D01	Screw, Pivot		1V80743A22	P.T.T. Switch Assem. Used on H24DCN Series Only
	41A82692D01	Spring, Actuating		43B83953B01	Plunger, Switch U/W 1V80743A22
	41A82680D01	Spring, Coil		1V80749A51	P.T.T. Switch Assem. W/Leads P/O 1V80749A50, 1V80753A75
	43A82270E01	Seal, Switch			
	2A82771D01	Nut, Switch Mounting			
	1V80728A68	P.T.T. Switch Assem. used on Private Line, Internal Microphone Units only			
	1-80728A68	P.T.T. Switch Assem. Used on Select Call, Internal Microphone Units only. Replaces 1-80733A32			
	1V80749A50	P.T.T. Switch Used on Carrier Squelch, Internal Microphone Units Only			

REF. SYMBOL	PART NUMBER	DESCRIPTION	
2	1V80782A68	Assem. Mic. Receptacle W/Leads	
	1V80738A03	Assem. Mic. Receptacle W/Leads	
	3-134290	2-56 x 7/16" phillips	
	3-134291	2-32 x 3/4" phillips	
	1V80733A65	Assem. Mic. Receptacle W/Leads for NHH6093A Housing	
	NOT SHOWN	28B82145D02	Mic. Receptacle Only
		3	Jacks, Spkr. and Ant.
		15A82688D01	Cover for Jacks (Internal)
	3	2A82653D01	Nut, Spcl. for Spkr. and Ant. Jacks
		4A82634E01	Washer, Metal
	4	4A82453E02	Washer, Teflon
15A83526C01		Threaded Cap for Jacks (Metal)	
38A83755D01		Plastic Cap for Jacks	
36B82681E03		Knob, Squelch	
5	36B82681E01	Knob, Volume	
	3A83174C01	Set Screw for Knobs	
	2A82653D03	Nut, Spcl. For Vol. and Squelch Controls	
	40B82089H01	Switch, Toggle (DPDT)	
6	2A83676D01	Nut, Seal U/with Toggle Switch	
	4A82634E03	Washer, Lock U/with Toggle Switch	
7	PK-733	Switch, Toggle (SPDT) (Replaces 40-82090H01)	
	40C82038G02	Switch, Rotary	
8	36-83573H03	Knob, Control (Replaces 36-82659D01)	
	40B82383E01	Switch, Toggle (Talk-Page) On Models Prior to January 1, 1967	
9	40C83356E01	Switch, Toggle (Talk-Page) On Models After January 1, 1967	
	15-82118J01	Guard. Replaces 15-83358E01	
10	32A83357E01	Gasket	
	3S134291	Tapping Screw (2-32x3/4 PHL FIL)	
11	2A83676D01	Seal Nut	
	3S134290	Machine Screw (2-56x7/16 PHL FIL)	
8	64A82375H03	Plate, Switch Mtg.	
	15B83045A01	Cap-Mic Connector	
	75A82921D02	Cushion, Rubber U/W Mic. Connector Cap	
9	43-82074D01	Bushing, Antenna (3/4" thread length)	
	43B82328G01	Bushing, Antenna (3/8" thread length)	
	29A82233C01	Lug, Solder U/W Antenna Bushing	
10	85-84874H01	Ant. Ferrule. Replaces 43-82568D01	
	13-83650B01	Escutcheon. Replaces 13-82697D01	
11	13B83650B01	Escutcheon (HT200)	

The Following 1V'S Are Housing Assem. W/Battery Contacts Only

12	1V80723A28	Used with NHH6068A, NHH6068B
	1V80723A77	Used with NHH6069A, NHH6069B, NHH6082A
	1V80724A97	Used with NHH6070A, NHH6070B
	1V80724A99	Used with NHH6071A, NHH6071B
	1V80733A30	Used with NHH6090A, NHH6090B
	1V80733A35	Used with NHH6091A, NHH6092A, NHH6092B
	1V80733A60	Used with NHH6093A
	1V80738A09	Used with NHH6096A, NHH6101A, NHH6101B
	1V80738A10	Used with NHH6097A, NHH6098A, NHH6102A, NHH6102B, NHH6103A
	1V80738A75	Used with NHH6099A, NHH6104A, NHH6104B, NHH6150A
	1V80738A76	Used with NHH6105A
	1V80743A17	Used with NHH6108A
	1V80743A27	Used with NHH6110A
	1V80746A29	Used with NHH6112A

REF. SYMBOL	PART NUMBER	DESCRIPTION
13	1V80746A40	Used with NHH6113A
	1V80746A42	Used with NHH6114A
	1V80746A44	Used with NHH6115A
	1V80751A40	Used with NHH6120A
	1V80723A29	Assem. Batt. Contacts Riveted (All Models)
	NLN6236A	Rear Cover Kit, Includes Batt. Cover (Standard Model)
	NLN6331A	Rear Cover Kit, Includes Batt. Cover (Universal and Select Call Models)
	1V80723A35	Assem. Rear Cover (Standard Model)
	1V80733A54	Assem. Rear Cover (Universal and Select Call Models)
	32A82678D01	Gasket, Cover U/W 1V80723A35
	32A82678D02	Gasket, Cover U/W 1V80733A54
14	75B82154D07	Pad (2x5/8 Adhesive Back)
	75B82154D08	Pad (33/4x5/8 Adhesive Back)
15	75B82154D09	Pad (25/8x5/8 Adhesive Back)
	3A82210E01	Screw, Special
16	4C82418B09	Washer
	33A82679D01	Nameplate
17	1V80723A36	Assem. Batt. Cover
	38B82264E01	Button, Latch
18	55B82263E01	Latch
	3S1435	Mch. Scr. (2-56-1/8 Slit. Flt.)
19	4C82418B10	Washer
	75A82192A01	Pad (1.25 Dia. Adhesive Back)
20	41A82394E01	Clip, Spring
	5S132372	Rivet

NON-REFERENCED ITEMS

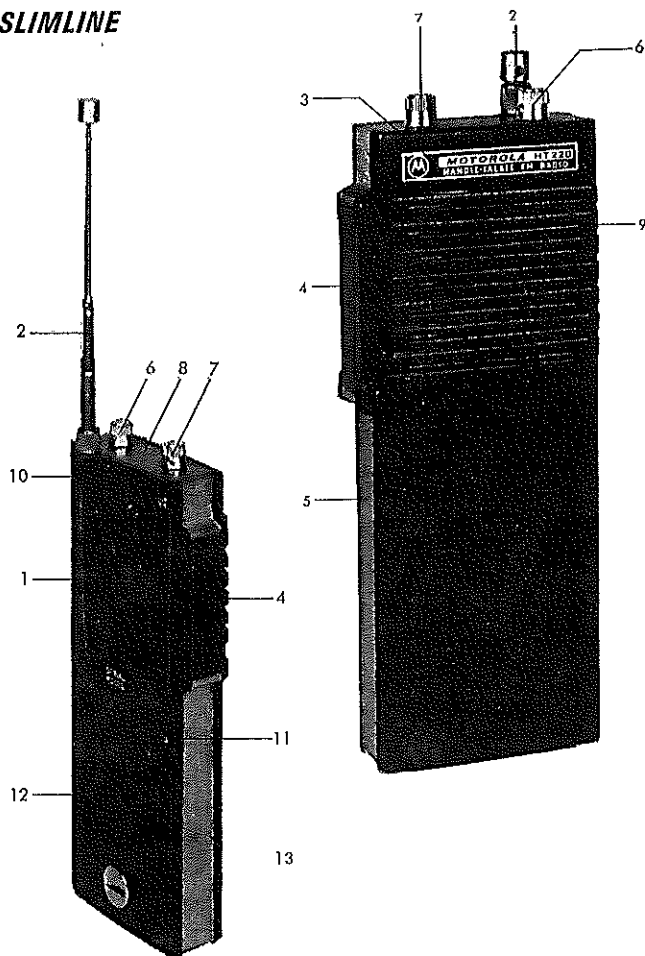
30-82521C01	Coaxial Lead (Ant. to PTT Switch)
40C82009H01	Switch, Slide (Internal) Universal Models
64B83480A01	Plate, Switch Mounting U/W 40C82009H01
50C82162D01	Microphone
75A82153D01	Pad, Adhesive Back (Square U/W Mic)
75B82154D01	Pad, Adhesive Back (1 1/8 x .60)
35A82654D01	Diaphragm U/W Mic.
43A82685D01	Spacer U/W Mic.
15B82651D01	Cover, Pltd. U/W Mic.
50D82660D01	Speaker (2 1/4")
14A82433E01	Insulator, Spkr.
42A82652D01	Clamp, Spkr.
42A82652D03	Clamp, Spkr.
42B83455D01	Clamp, Spkr.
3S1438	Machine Screw (2-56x3/16 Slit. Flt.) U/W Spkr. Clamps
3S7209	Machine Screw (6-32x1/8 Slit. Flt.)
64A82523E01	Plate, Tapped U/W Mic. Recept. Bracket
32A82772E01	Gasket, U/W Mic. Recept. Plate
3S490765	Machine Screw (6-32x7/16 Slit. Bin.)
4S9795	Lock Washer, Split (#6)
14B82643E04	Insulator 1.12x1.12) Armité, Adhesive Back
14B82643E13	Insulator (.420x2.75) Armité, Adhesive Back
3S115613	Machine Screw (4-40x1/4 Slit. Bin.)
2S131865	Nut (1/4-28x3/8 Hex)
3S136049	Machine Screw (2-56x5/8 Phl. Fil.)
3S2902	Machine Screw (2-56x3/16 Slit. Bin.)
3S134243	Tapping Screw (#2x5/8 Slit. Pan.)
3S125347	Tapping Screw (#2x3/16 Slit. Pan.)
4S115361	Lock Washer, Split (#2)
3S135369	Tapping Screw (0-48x3/16 Slit. Pan.)
29S129883	Lug, Soldering (#6)
65B82896B03	Fuse, Miniature (1 Amp-125V)



HT-220 Portable Radio

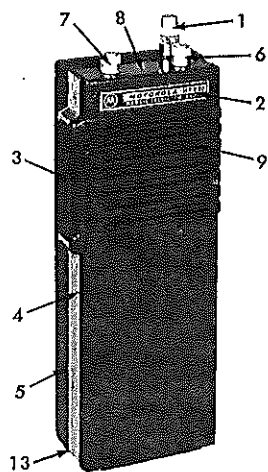
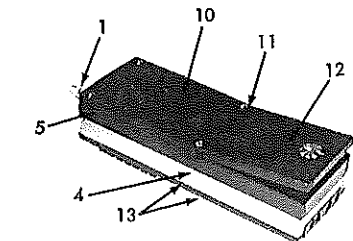
Parts Lists

SLIMLINE



REF. SYMBOL	PART NUMBER	DESCRIPTION
1	01-84206D81	Clip pocket (Replaces 42-83531H01 and 42-82839J01)
2	---	Antenna (See Portable Accessories Section)
3	33-8358H01	Name plate
4	1-80786A90 (INCLUDES)	Assembly PTT Switch 40-82159D01 PTT Switch 14-83568H01 Insulator Switch 43-83553H01 Bushing Activator 7B83551H01 Bracket Switch 5-138156 Eyelet (Replaces 5-132248)
	22-82591C10 41-83567H01 38-83130H01 38-83130H02 43-83569H01 41-82680D03	Pin Lever, Actuating Spring, Compression Button, Switch Actuator Male Button, Switch Actuator Female Sleeve, Switch Spring
4	36-83129H01 1-80701C36	Lever, Actuating 4 Contact Conn. Assem. (For Remote Mic.) (Replaces 1-80788A77)
	64B84361H02 14B84363H01 43B84042H01 2A82653D05 14B84309H03	Brd 4 Term. (Red) Insulator (Glass Cloth) Bushing Nut Special Insulator Nylon
5	7-83124H01 7-5622A01	Frame, H23 Frame, H23 PL (Replaces 7-83342H01)
6	18-83560H01 29-83549H01 4-82453E01 2-82653D01 36-83573H05 3-83174C02	5K Squelch Pot Terminal Washer, nylon Nut, 1/4-32 Knob, Control Screw (4 x 40 x 1/8)
7	18-5814A01 4-82453E01 2-82653D03 36-83573H01 3-83174C02	25K Volume Pot (Replaces 18-83561H02) Washer, Nylon Nut, 1/4-32 Knob, Control Screw (4 x 40 x 1/8)
8	40-5376B01 2-82653D05	Switch, Rotary—2 Position, 2 Freq. (Replaces 40-83471H01) Nut, Special
9	NLN-8364A	Standard Squelch Kit front cover (std & rapid charge bat. including special mic models) H23 & H24 (Replaces NLN-6674B & C)

REF. SYMBOL	PART NUMBER	DESCRIPTION	
	NLN-8368A	Kit front cover (c.s. std. slim line with sprkr mic) H24 (Replaces NLN-8107A)	
	NLN-8365A	Private Line Kit front cover (std. & rapid charge bat. including special mic. models) H23 & H24 (Replaces NLN-6680B & C)	
	NLN-8369A	Kit front cover (P.L. std. slim line with sprkr. mic.) H24 (Replaces NLN-8108A)	
	NLN-6681C	Remote Mic Kit front cover (remote mic. & rapid charge bat. models) H23 (Replaces NLN-6681B)	
	NLN-8380C	Kit front cover, remote mic. (slim line) H24 (Replaces NLN-8109A)	
	NLN-6737B	Private Line Remote Mic Kit front cover (P.L. remote mic. & rapid charge bat. models) H23	
	NLN-8375A	Kit front cover (P.L. remote mic.) H23	
	NLN-8827A	Kit front cover (P.L. remote mic. slim line) H24	
	PK-970	Standard Squelch Assem. front cover, riveted (std) H23 & H24	
	PK-971	Private Line Kit front cover, riveted (P.L., rapid charge and remote mic. models) H23 & H24	
	PK-972	Remote Mic Assem. front cover, riveted (remote mic.) H23-H24 (Replaces 1-80701C29)	
	1-80792A15	Private Line Remote Mic Assem. front cover, riveted (P.L. remote mic. & rapid charge bat. models) H23	
	PK-973	Assem. front cover, riveted (P.L. remote mic.) H23-H24 (Replaces 1-80701C30)	
	1-80792A11	Assem. bat. contacts riveted (std., remote mic. & rapid charge bat. models) H23-H24	
	1-80792A13	Assem. bat. contacts riveted (P.L. remote mic. & rapid charge bat. models) H23-H24	
	1-80701C26	Assem. mic. cart. (for std. & P.L. "C" models) H23-H24	
	13C83548H04 13C83548H03 13C83548H01 13C83548H02 50-82917J02 14B84516H01 14-82282J01	Escutcheon (1 freq. P.L.) Escutcheon (1 freq.) Escutcheon (dual freq. P.L.) Escutcheon (dual freq.) Speaker, insulated Insulator, speaker Insulator, speaker (std. & P.L. special mic., for NLN-6674B, C; NLN-6680B & C)	
	35A82258D03 35-82160J01	Cloth, grille Cloth grille (std. & P.L. spl. mic., for NLN-6674C, NLN-6680C)	
	13-82159J01	Grille, mic. (std. & P.L. spl. mic., for NLN-6674C, NLN-6680C)	
	7-82158J01	Brkt., chartridge (std. & P.L. spl. mic., for NLN-6674C, NLN-6680C)	
	43-82274J01 65B82896B03	Mic., insert (all "B" models) Fuse, 1A-125V	
	OR 65-82896B04 42A83559H01 3S125347 4K840914 4K84065 33B83580H01 1V80786A80 1V80786A81 1V80786A82	Fuse, 2A-125V Clamp Mch. Scr. (2-56 x 3/8) Washer, spring (2 used) Washer, retaining (2 used) Nameplate Assem. lead & lug (red) Assem. lead & lug (blk) Assem. lead & lug (blu)	
	10	NLN 6678A NLN 6675A NLN 6679A NLN-6886C NLN-6887C	Kit, back cover without clip (PL) Kit, back cover with clip (Standard) Kit, back cover with clip (slimline P.L.) Kit, back cover with clip (universal std. sq.) (Replaces NLN-6886B) Kit, back cover with clip (universal P.L.) (Replaces NLN-6887B)
	NLN-6676A 15-83131H01 15-83343H01 15-84269H01 15-5549A01	Kit, back cover without clip (standard) Cover, back (standard) Cover, back (P.L.) Cover, back (universal) Cover, back (universal P.L.) (Replaces 15-84511H02)	
	75A83779H01 43-83578H01 7-82947C01 64-82043D01 41-83566H01 3-136666 22-82395B09 4-1793 3-124952 14-82392E03 54-5329D01	Pad, polyurethane Bushing, cover mounting Bracket, clip mounting Plate, back up Spring, Clip Mch Screw 2-56 x 1/4 Phillips Flathead Pin clip Washer, screw Pin, retainer Insulator, cover Label, model & serial (Replaces 54-83606H01) Label, frequency	
	54-83607H01	Label, frequency	
	11	3-82210E05 3-82210E07 4-82418B09	Screw cover mounting, short Screw cover mounting, long Washer, nylon
	12	NLN 6677A 15-83132H03 38B84498H01 4C83799H02 55B84499H01 75-82154D14	Battery cover, staked Battery cover, only (Replaces 15-83132H02) Button, 1/4 turn Washer, insulating Latch, 1/4 turn Pad
	13	32-82172J01	Gasket housing (std., P.L. & remote mic.) (Replaces 32-84313H01 & H02, 32-82942B04 & B05)


OMNI

NON-REFERENCED ITEMS

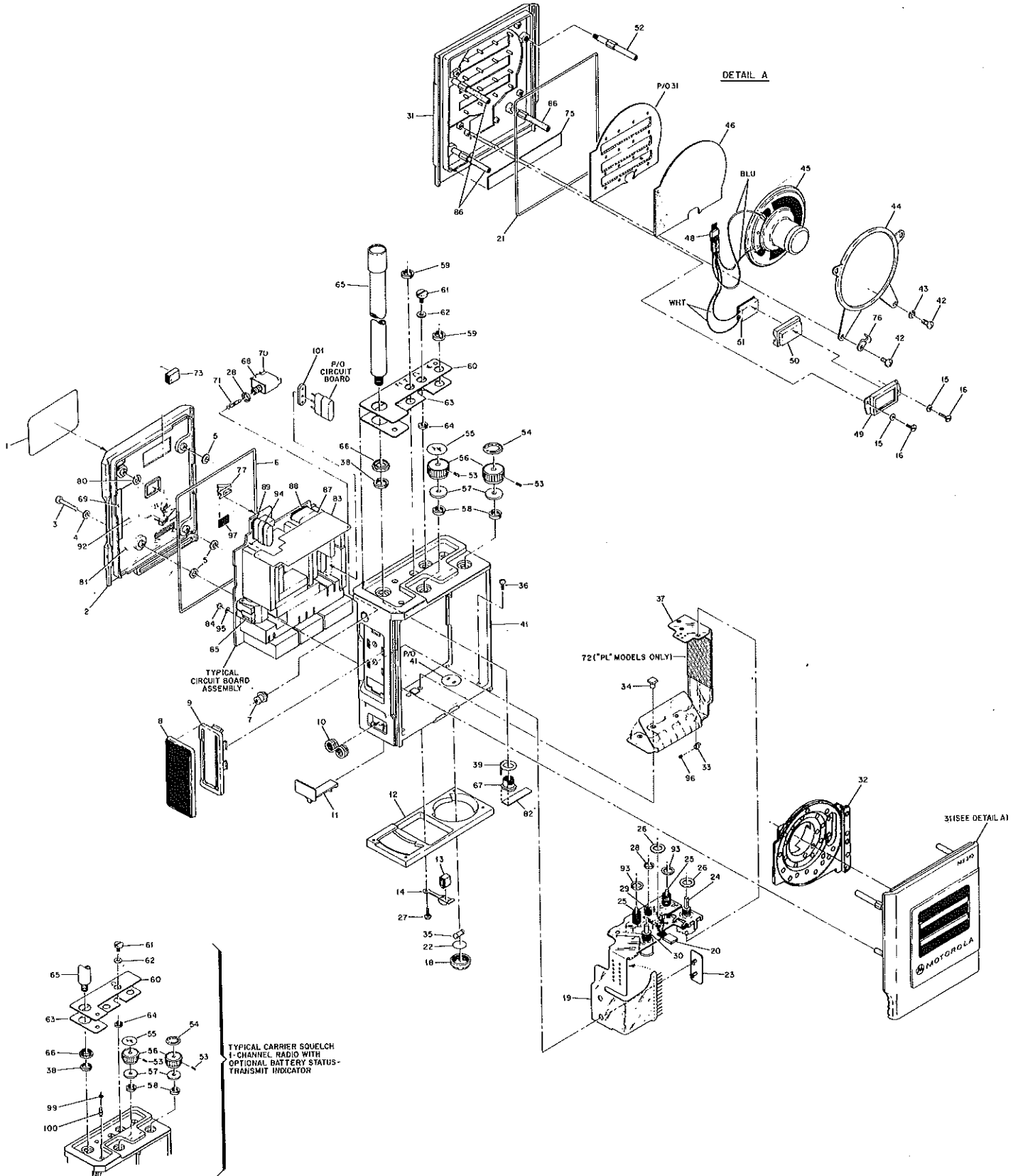
60-84642H01	Nickel-cadmium battery kit (omni-housing) 15 volts-450 MAH (Replaces NLN-6761A)
60-84342H01	Mercury battery kit (HD) 16.2 volts (Replaces NLN-6762A)

REF. SYMBOL	PART NUMBER	DESCRIPTION
1		Antenna (See Portable Antenna Section)
2	33B83580H01	Nameplate
3	1V80786A90 (Includes)	Assembly PTT switch 40-82159D01 PTT switch 14-83568H01 Insulator switch 43-83553H01 Bushing activator (Replaces 43-83552H01) 7-83551H01 Bracket switch 5-138156 Eyelet (Replaces 5-132248) Pin lever, actuating Spring, compression Button switch actuator (male) Button switch actuator (female) Sleeve switch Spring Lever, actuating 4 contact cont. assem. (for remote mic) (Replaces 1-80788A77) Brd. 4 term. (red) Insulator (glass cloth) Bushings Nut special Insulator (nylon)
	22B82591C10 41A83567H01 38C83130H01 38C83130H02 43A83569H01 41A82680D03 36C83129H01 1-80701C36	
	64B84361H02 14B84363H01 43B84042H01 2A82653D05 14B84309H03	
4	7D83124H01 7-5622A01	Frame H23 (Standard) Frame H23 (P.L.) (Replaces 7-83342H01)
5	NLN-6748A 43B84073H01 NLN-6749A 43B84073H01	Kit, frame extension (standard) Bushings, cover mtg. (2 used) Kit, frame extension (P.L.) Bushings, cover mtg. (2 used)
6	18C83560H01 29B83549H01 4A82453E01 2A83570H01 36B83573H05 3A83174C02	5K squelch pot Terminal Washer, nylon Nut special (1/4-32) Knob control Screw (4-40 x 1/8)
7	18-5814A01 4A82453E01 2A82563D03 36B83573H01 3A83174C02	25K volume pot (Replaces 18-83561H02) Washer, nylon Nut special (1/4-32) Knob control Screw (4-40 x 1/8)
8	40-5376B01 2A82653D05	Switch, rotary—2 position 2 freq. (Replaces 40-83471H01) Nut special Standard Squelch
9	NLN-8366A NLN-8370A NLN-8372A NLN-8367A NLN-8371A NLN-8373A NLN-8376A NLN-8382A NLN-8386A NLN-8377A ZLN-6294A NLN-8828A NLN-8812A NLN-8815A	Kit, front cover (HD) (std. & rapid charge bat. including special mic cart models) H23 (Replaces NLN-6791B & C) Kit, front cover (HD) (cs std. OMNI with spkr. mic) H24 (1W) (Replaces NLN-8111A) Kit, front cover (HD) (cs std. OMNI with spkr. mic) H34 (4W) (Replaces NLN-8128A) Private Line Kit, front cover (HD) (P.L. & rapid charge bat including special mic cart models) (Replaces NLN-6792B & C) Kit, front cover (HD) (P.L. OMNI with spkr. mic) H24 (1 w) (Replaces NLN-8112A) Kit, front cover (HD) (P.L. OMNI with spkr. mic) H34 (4 w) (Replaces NLN-8130A) Remote Mic Kit, front cover (HD) Remote mic. & rapid charge bat model (Replaces NLN-6793B & C) Kit, front cover (HD) (remote mic. OMNI) (1 w) H24 (Replaces NLN-8113A) Kit, front cover (HD) (cs. remote mic. OMNI) (1 w) H34 (Replaces NLN-8129A) Private Line Remote Mic Kit, front cover (HD) (P.L. remote mic.) (1 w) H23 (Replaces NLN-6794C) Kit, front cover (HD) (P.L. remote mic OMNI) (1 w) H24 (Replaces NLN-8114A) Kit, front cover (HD) (P.L. remote mic OMNI) (4 w) H34 (Replaces NLN-8131A) Universal Standard Squelch Kit, front cover (Universal c.s.), rapid charge, and special mic cart models (Replaces NLN-6851B & C) Kit, front cover (HD) (Universal c.s. OMNI with spkr. mic.) (4 w) H34 (Replaces NLN-8132A)

REF. SYMBOL	PART NUMBER	DESCRIPTION
	NLN-8813A	Universal Private Line Kit, front cover (Universal P.L.), rapid charge, and special mic cart models (Replaces NLN-6856C)
	NLN-8116A	Kit, front cover (HD) (Universal P.L. OMNI with spkr. mic.) (1 w) H24
	NLN-8814A	Kit, front cover (HD) (Universal P.L. OMNI with spkr. mic.) (4 w) H34 (Replaces NLN-8133A)
	PK-975	Front Cover Assemblies Assem. front cover, riveted (P.L., universal P.L. & rapid charge bat models) H23-H24 (Replaces 1-80701C32)
	PK-979	Assem. front cover, riveted (P.L.—OMNI—std.) H34 (4 w) (Replaces 1-80702C75)
	PK-976	Assem. front cover, riveted (remote mic.) H23-H24 (Replaces 1-80701C33)
	PK-980	Assem. front cover, riveted (remote mic. c.s. HD) (4 w) H34 (Replaces 1-80702C74)
	PK-982	Assem. front cover, riveted (remote P.L. & rapid charge bat models) H23 (Replaces 1-80792A21)
	PK-977	Assem. front cover, riveted (P.L. remote mic.) H23 (Replaces 1-80701C34)
	PK-981	Assem. front cover, riveted (HD) (P.L. remote mic OMNI) (4 w) H34 (Replaces 1-80702C76)
	1-80792A17	Assem. bat contacts, riveted (std., universal squelch remote & rapid charge bat models) H23-H24-H34
	1-80792A19	Assem. bat contacts, riveted (P.L., remote P.L. universal P.L. & rapid charge battery models) H23-H24-H34
	1-80701C26	Assembly mic. cart. (for std., P.L. & universal P.L. "C" suffix models) H23-H24
	13C83548H03 13C83548H04 13C83548H02 13C83548H01	Escutcheon (1 freq.) Escutcheon (1 freq. P.L.) Escutcheon (dual freq.) Escutcheon (dual freq. P.L.)
	50-82917J02 14B84516H01 14-82282J01 35A82258D03 35-82160J01	Speaker, insulated (replaces 50-83466D02) Insulator, speaker ("A" suffix models) ("B" & "C" suffix models) Cloth, grille ("A" & "B" suffix models) Cloth grille (HD, std., P.L., UNI P.L. special mic. NLN-6791C, 92C, NLN-6851C & NLN-6856C) Grille mic. (HD, std., P.L., UNI P.L. special mic. NLN-6791C, 92C, NLN-6851C & NLN-6856C) Brkt Cartridge (HD, std., P.L., UNI P.L. special mic. NLN-6791C, 92C, NLN-6851C & NLN-6856C) Mic insert (all "B" suffix models)
	13-82159J01	Fuse (2A-125 Volts)
	7-82158J01	Fuse holder assembly
	43-82274J01 65B82896B04 1V80786A76 42A83559H01 35125347 4K840914 4K848065 33B83580H01 1V80786A80 1V80786A81 1V80786A82	Clamp Mch. Scr. (2-56 x 3/16) Washer, spring (2 used) Washer, retaining (2 used) Nameplate Assem. lead and lug (red) Assem. lead and lug (blk) Assem. lead and lug (blu)
10	NLN-6750B NLN-8420A NLN-6770B NLN-6771B NLN-6848C NLN-6852B NLN-8427A NLN-8135A NLN-8136A NLN-8137B	Kit, back cover w/o clip (HD) standard. H23 Kit, back cover w/o clip (HD) P.L. H23 (Replaces NLN-6751B) Kit, back cover with clip (HD) standard. H24 Kit, back cover with clip (HD) P.L. remote H24 Kit, back cover w/o clip (HD) Uni. P.L. H23 (Replaces NLN-6848B) Kit, back cover w/o clip (HD) Uni. H23 Kit, back cover (HD) c.s. H34 (Replaces NLN-8134A) Kit, back cover w/o clip (HD) P.L. (remote) H34 Kit, back cover w/o clip H34 Kit, back cover w/o clip (P.L. UNI) H34 (Replaces NLN-8137A)
	43B83578H01 15-84015H02 15-84016H02 15-84269H02 15-5549A01 15-82405J01 15-82406J01 15-82407J01 15-5550A02	Bushing cover mounting Cover, back (HD) (standard) H23-H24 Cover, back (HD) (P.L.) H23-H24 Cover, back (HD) Uni. H23 Cover, back (HD) Uni. P.L. H23 (Replaces 15-84511H02) Cover, back (HD) C.S. H34 Cover, back (HD) P.L. (remote) H34 Cover, back (HD) H34 Cover, back P.L. (UNI.) H34 (Replaces 15-5550A02)
	1-84206D81	Clip pocket (Replaces 42-83581H01 and 42-82839J01)
	7A82947C01 64A82043D01 41A83566H01 35136666 22B82395E09 451793 35124952 14A82392E03	Bracket clip mounting Plate, back up Spring, clip Mch. Scr. 2-56 x 1/4 Phillips flathead Pin clip Washer, screw Pin, retainer Insulator, cover
11	3A82210E05 3A82210E09	Screw cover mounting (bottom) (2 used) Screw cover mounting (top) (2 used)
	4C82418B09	Washer, nylon (4 used)
12	NLN-6752A 15-83939H03 38B84498H01 4C83799H02 75C82154D14 55B84499H01	Battery cover (HD) staked Cover battery (Replaces 15-83939H02) Button, 1/4 turn Washer, insulating Latch, 1/4 turn Pad
13	32-82172J01	Gasket housing (std., HD remote mic., P.L. & HD P.L.) (Replaces 32-84313H01 & H02)

MX 300 Series Portable Radios

MX310, H23AAB, H24AAB

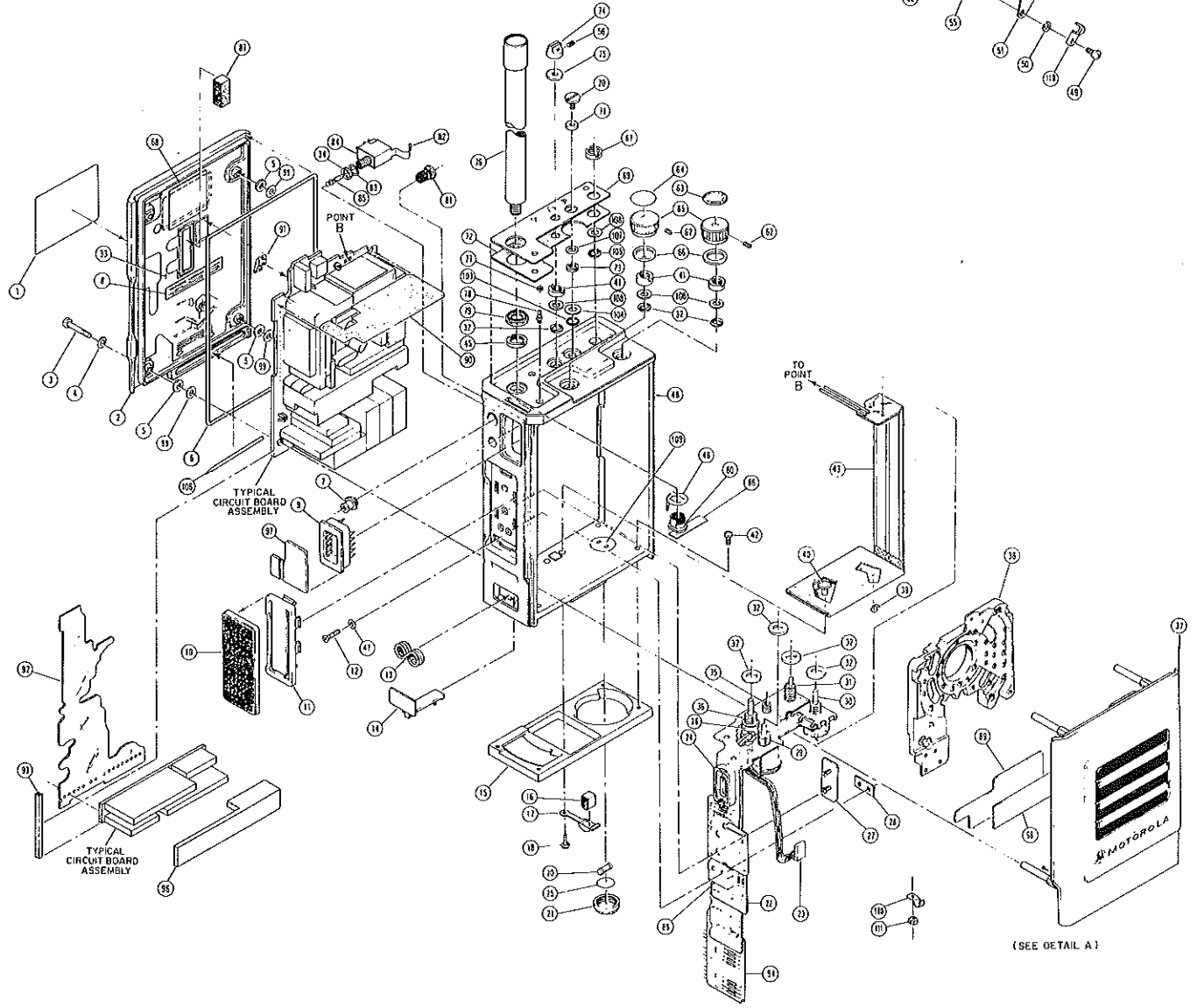
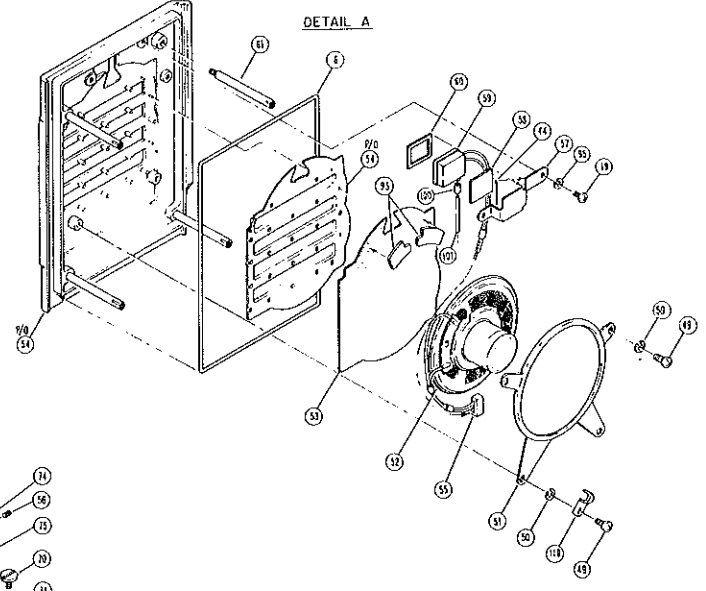
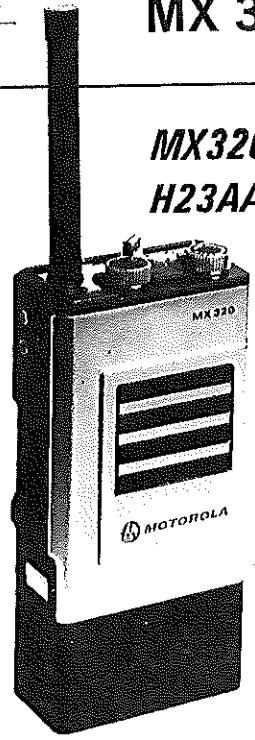


REF. NO.	PART NO.	DESCRIPTION
1	33-5800D01	Plate, serial
2	15-5152D01	Cover, back
3	03-82210E15	Screw, captive
4	04-5465C01	Washer, seal
5	04-5818D02	Washer, metal
6	32-5394C06	Gasket O ring
7	02-5785C01	Nut, retainer
8	32-5427C01	Boot
9	45-5211D01	Actuator
10	41-5414C01	Spring, latch
11	55-5417C01	Latch, battery
12	07-5528C01	Base, frame support
13	07-5830C01	Support, battery contact
14	39-5421C01	Contact battery
15	04-120088	Washer
16	03-138651	Screw
17	65-138653	2 Amp Fuse, cartridge
18	38-5881D01	Cap, Fuse
19	84-5349D01	Circuit board, Flex
20	09-5509D01	Connector, Plug
21	32-5394C06	Gasket O ring
22	14-5610D01	Insulator
23	42-5506C01	Strain relief, snap in
24	18-5602C02	Resistor (R308)
25	40-5190D01	Switch (S301)
26	42-5405C01	Seal
27	03-138651	Screw & lockwasher
28	32-5789C01	Gasket
29	09-5505C01	Jack (J301)
30	18-5430C02	Resistor (R311)
31	15-5150D02	Cover, front
32	75-5348D01	Pad, contour
33	42-5410C01	Clip, fuse
34	46-5461C01	Stud, battery contact
35	65-138653	Fuse
36	03-138661	Screw
37	84-5740C06	Circuit board
38	02-5556C01	Nut, mounting
39	29-5548E01	Lug, Antenna
40	42-5419C01	Insert, plug
41	07-5151D01	Frame
42	03-5466C01	Screw
43	04-9743	Washer, #4 split
44	07-5154D01	Bracket Ring
45	50-5469C04	Speaker
46	75-5194D01	Cover, speaker, felt
47	13-5153D01	Grill, speaker
48	28-5505D01	Connector, plug
49	07-5196D01	Bracket, microphone mount
50	15-5195D01	Housing, microphone cartridge
51	59-82575J02	Microphone Cartridge
52	43-5467C02	Spacer, Standoff
53	03-83174C01	Set Screw
54	54-5511C01	Label, Knob Vol. Control
55	54-5511C03	Label, Knob Squelch
56	36-5510C01	Knob
57	04-5555C02	Washer, Thrust
58	02-82653D03	Nut, mounting
59	02-5344C02	Nut mounting

REF. NO.	PART NO.	DESCRIPTION
60	13-5107E17	Escutcheon (1 Freq. Carrier Squelch)
	13-5107E19	Escutcheon (2 Freq. Carrier Squelch)
	13-5107E18	Escutcheon (1 Freq. Private line)
	13-5107E20	Escutcheon (2 Freq. Private line)
	13-5107E23	Escutcheon (1 Freq. Carrier Squelch w/Led)
	13-5107E25	Escutcheon (2 Freq. Carrier Sq. w/Led)
	13-5107E24	Escutcheon (1 Freq. Private line w/Led)
	13-5107E26	Escutcheon (2 Freq. Private line w/Led)
61	03-5857C01	Screw, Cap
62	04-83799H04	Washer, Insulator
63	11-5092E01	Adhesive Escutcheon
64	RPX4026A	Nut, special
65	(select appropriate antenna)	Antenna
66	14-05409C01	Insulator
67	43-05557C01	Bushing antenna
68	26-5212D01	Shield Jack
69	54-5171E01	Label, Warning
70	09-5505C02	Jack, Micro
71	01-5784C01	Plunger, Spring, Insulator
72	14-5866D01	Insulator
73	75-5585C02	Pad Pressure
75	75-5197D01	Strip Channel Element
76	42-5594D02	Clamp Cable
77	39-5188D02	Contact Grounding
78	43-5929C01	Insert Adapter
80	04-5818D02	Washer bearing insulated
81	64-5347D01	Plate Ground Shield
82	14-5157E01	Insulator Antenna bushing
83	14-5939D01	Insulator
84	02-5629C01	Nut, Preselector
85	40-5345D01	Switch
86	37-10120A13	Insulator
87	07-5196A01	Boot, Xtal
88	75-5295B04	Pad, Xtal
89	14-5736C01	Pad, Xtal
90	ST-1179	Tool, module extraction
92	13-868710	Label, Patent
93	32-5701C02	Gasket, O ring
94	07-5448A02	Boot, Xtal
95	04-115361	Washer #2 split
97	14-5424D04	Insulator
99	32-5701C03	O Ring
100	48-5504C01	L.E.D.
101	75-5295B04	Pad, Crystal base

MX 300 Series Portable Radios

MX320, MX330, MX340, MX350, MX360
H23AAU, H24AAU, H33AAU, H34AAU, H43AAU, H44AAU



(SEE DETAIL A)

REF. NO.	PART NO.	DESCRIPTION	REF. NO.	PART NO.	DESCRIPTION	REF. NO.	PART NO.	DESCRIPTION	
1	33-05800D01	Plate, Serial (320)	41	02-82653D03	Nut, Mounting (1/4-32)	74	36-5577C01	Knob	
	33-05800D02	Plate, Serial (330)		02-82653D05	Nut, Mounting (1/4-28)	75	04-5342C01	Washer, Thrust	
	33-05222F03	Plate, Serial (340, 350, 360)	42	03-138661	Screw	76	NAD-6283A	Antenna (150.8-162 MHz)	
2	NLN-8801A	Back Cover Kits (320)	43	01-5953C37	Power Flex Circuit (320)		NAD-6284A	Antenna (162-174 MHz)	
	NLN-8802A	Back Cover Kit (330)		01-5953C38	Power Flex Circuit (330)		NAE-6231A	Antenna (403-430 MHz)	
	NLN-8803A	Back Cover Kit (340)		01-5953C39	Power Flex Circuit (340)		NAE-6232A	Antenna (440-470 MHz)	
	NLN-8804A	Back Cover Kit (350)		01-5953C40	Power Flex Circuit (350)		NAE-6233A	Antenna (470-512 MHz)	
	NLN-8805A	Back Cover Kit (360)		01-5953C41	Power Flex Circuit (360)	77	32-5701C03	O Ring	
3	03-82210E15	Screw, Captive	44	14-5424D04	Insulator (.21" x .21")	78	48-5504C01	(CR303) Diode	
4	04-05465C01	Washer Seal		14-82392E05	Insulator (.31" x .31")	79	14-5545E01	Insulator	
5	04-05818D02	Washer	45	02-5543E01	Nut, Mounting	80	43-5544E01	Bushing Antenna	
6	32-05394C01	Gasket, O Ring (320)	46	29-5548E01	Lug, Antenna	81	46-5458C01	Stud Threaded	
	32-05394C02	Gasket, O Ring (330)	47	04-5478E01	Lockwasher	82	26-5767C01	Shield Jack	
	32-05394C03	Gasket, O Ring (340)	48	01-5953B81	Frame (320)	83	04-84345A06	Washer	
	32-05394C07	Gasket, O Ring (350)		01-5957B50	Frame (330)	84	09-5505C02	Antenna Jack (.135 ground term.)	
	32-05394C05	Gasket, O Ring (360)		01-5959B35	Frame (340)		09-5505C01	Antenna Jack (.161 ground term.)	
7	02-05785C01	Nut, Retainer Special		01-5959B36	Frame (350)	85	01-5784C01	Plug Spring and Insulator	
8	64-05535D01	Plate, Ground Shield (320)		01-5959B37	Frame (360)	86	14-5157E01	Insulator	
	64-05215D02	Plate, Ground Shield (330)	49	03-5466C01	Screw Slotted (180 Special Head)	87	75-5585C01	Pad, Pressure	
	64-05535D03	Plate, Ground Shield (340)		03-5466C02	Screw Slotted (219 Standard Head)	88	40-82159D01	Switch Pit	
	64-05215D04	Plate, Ground Shield (350)		50	04-9743	89	75-5874C01	Pad, Channel Element	
	64-05215D05	Plate, Ground Shield (360)		07-5423C01	Washer, #4, Split	90	14-5953D01	Insulator	
9	15-05673C01	Housing, Connector			Bracket, Ring (Low & medium power)	91	39-5188D03	Spring Grounding	
10	32-05427C01	Boot		07-5875C01	Bracket, Ring (High Power)	92	84-5812C01	Flex Circuit Interconnect (1-2 Freq.)	
11	45-05509C01	Actuator	52	50-5469C04	Speaker		84-5111D01	Flex Circuit Interconnect (4 Freq.)	
12	03-00138C20	Screw, Phillips	53	75-5396C01	Cover Speaker Felt		84-5112D01	Flex Circuit Interconnect (6-8 Freq.)	
13	41-05414C01	Spring	54	01-5953B83	Cover & Grille (320)	93	07-5829C01	Bracket Railmounting (0.93")	
14	55-05417C01	Latch battery		01-5957B51	Cover & Grille (330)		07-5829C02	Bracket Railmounting (1.125")	
15	07-05528C01	Base, Frame Support		01-5959B38	Cover & Grille (340)		07-5829C03	Bracket Railmounting (1.320")	
16	07-05830C01	Support, Battery Contact		01-5959B39	Cover & Grille (350)		07-5829C04	Bracket Railmounting (1.515")	
17	39-05421C01	Contact, Battery		01-5959B40	Cover & Grille (360)		07-5829C05	Bracket Railmounting (1.710")	
18	03-138651	Screw & Lockwasher	55	28-5551D01	Plug (High power)		07-5829C06	Bracket Railmounting (1.905")	
19	03-00138C51	Screw Slotted		28-5551D02	Plug (Low & medium power)		07-5829C07	Bracket Railmounting (2.100")	
20	65-00139554	Fuse Cartridge		56	03-5480E01	Set Screw		07-5829C08	Bracket Railmounting (2.295")
21	38-05881D01	Cap Fuse		57	07-5462C01	Clip Mounting		07-5829C09	Bracket Railmounting (2.490")
22	NLN-4171A	Flex Circuit Control		58	75-82745J02	Pad Pressure		07-5829C10	Bracket Railmounting (2.685")
23	09-5552D01	Connector J303 (Without guide pin)		59	59-82575J02	Microphone (With .036" center hole)		07-5829C11	Bracket Railmounting (2.880")
	09-05734C01	Connector J303 (With guide pin)		59-82575J03	Microphone (Without .036" center hole)	94	NLD-6881A	Switch & Flex, VHF, 4F	
24	09-05675C01	Socket J302		32-5468C01	Gasket, Microphone (Low & medium power)		NLD-6891A	Switch & Flex, VHF, 6F	
25	14-05610D01	Insulator, Spacer		32-82744J03	Gasket, Microphone (Hi Power)		NLD-6901A	Switch & Flex, UHF, 8F	
26	42-05102E01	Retainer, Cable		61	43-5467C02	Spacer Standoff		NLE-8382A	Switch & Flex, UHF, 4F (High Power)
27	42-5506C01	Strain Relief, Snap In		62	03-5480E01	Screw		NLE-8402A	Switch & Flex, UHF, 8F (High Power)
28	64-05412C01	Plate, Nut (.040 thick)		63	54-5511C01	Knob, Vol. Control	95	04-120088	Lockwasher
	64-05669E01	Plate, Nut (.060 thick)		64	54-5511C03	Label, Knob (1 Freq. models)	96	75-5890C01	Pad, Digital P1 Contour
29	40-05425C01	Switch (S501-S301)		54-5887C01	Label, Knob (2 Freq. models)	97	32-5163E01	Boot	
30	18-05602C02	Resistor (R308)		54-5887C02	Label, Knob (4 Freq. models)	98	14-5576E02	Insulator (330)	
31	40-05190D01	Switch (S303)		54-5887C03	Label, Knob (6 Freq. models)		14-5576E03	Insulator (340)	
32	42-05405C01	Seal		54-5887C04	Label, Knob (8 Freq. models)		14-5576E04	Insulator (350)	
33	64-5535D01	Insulator, Ground Shield (320)		65	36-5510C01	Knob		14-5576E05	Insulator (360)
	64-5535D06	Insulator, Ground Shield (330)		66	04-5555C02	Washer, Thrust		04-5248E01	Washer
	64-5535D03	Insulator, Ground Shield (340)		67	02-5344C02	Nut, Special	99	04-5248E01	Washer
	64-5535D04	Insulator, Ground Shield (350)		68	13-868710	Decal, Part number	100	37-5144E01	Sound pipe (High Power)
	64-5535D06	Insulator, Ground Shield (360)		69	13-5106E12	Escutcheon (1 Freq. CS w/led)	101	47-5143E01	Tubing, Flexible (High Power)
34	32-5295F01	Gasket		13-5106E11	Escutcheon (2 Freq. CS w/led)	102	75-5705D01	Pad	
35	09-5505C01	Jack		13-5106E16	Escutcheon (1 Freq. CS wo/led)	103	04-5757E01	Seal	
36	18-5430C02	Resistor		13-5106E10	Escutcheon (2 Freq. CS wo/led)	104	04-5342C02	Washer	
37	NLN-8790A	Front Cover (320)		13-5106E10	Escutcheon (1 Freq. PL w/led)	105	04-5757E02	Washer	
	NLN-8791A	Front Cover (330)		13-5106E09	Escutcheon (2 Freq. PL w/led)	106	ST-1179	Tool Module Pusher	
	NLN-8792A	Front Cover (340)		13-5106E14	Escutcheon (1 Freq. PL wo/led)	107	04-83799H06	Washer	
	NLN-8793A	Front Cover (350)		13-5106E13	Escutcheon (2 Freq. PL wo/led)	108	04-5342C03	Washer	
	NLN-8794A	Front Cover (360)		70	03-5857C01	Screw Cap	109	42-5419C01	Plug
	NLN-8796A	Front Cover (330 High Power)		71	04-83799H04	Washer, Insulator	110	42-5189D02	Cable Clip
	NLN-8797A	Front Cover (340 High Power)		72	11-5092E01	Adhesive Tape, Escutcheon	111	02-120487	Nut, hex
	NLN-8798A	Front Cover (350 High Power)		73	02-5256C02	Screw			
	NLN-8799A	Front Cover (360 High Power)							
38	75-5589E01	Pad							
39	42-5410C01	Clip Fuse							
40	46-5461C01	Stud							

MX 300 Series Portable Radios

Parts Lists

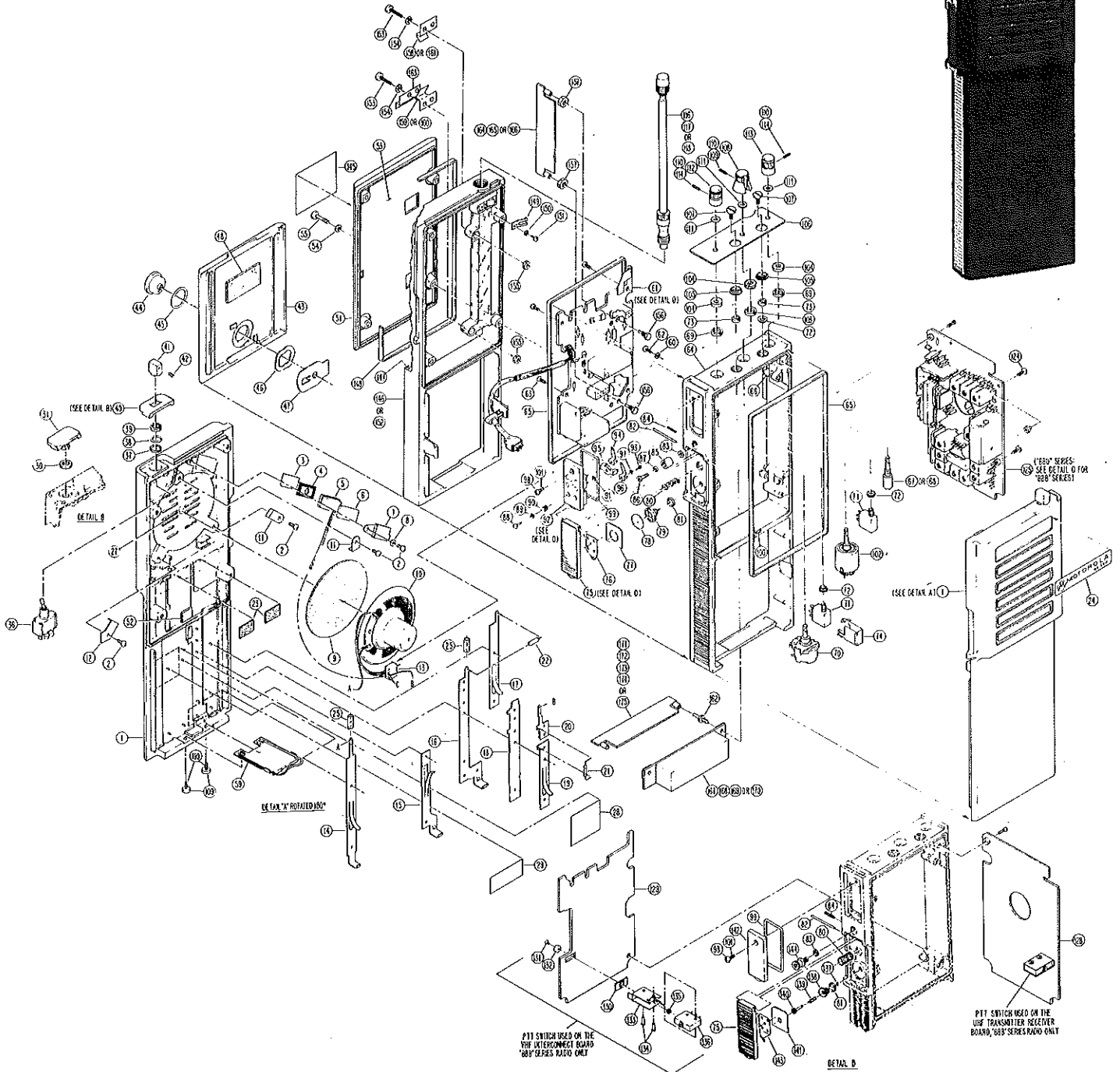
MX300 Series Chargers	NLN-4036A	NLN-4037A	NLN-4038A	NLN-8856A	NLN-8857A	NLN-8858A	NLN-8988A	NLN-8989A	NLN-8990A
Replacement Parts									
Riveted base									
01-5956B57			•			•			
01-5957B15	•			•	•		•		
01-5950C66								•	
01-5950C78									•
01-5950C83									•
Pocket									
01-5956B59	•	•	•	•	•	•			
Enclosure									
01-5956B56	•	•	•	•	•	•			•
01-5950C63							•		•
01-5950C75								•	
Contact Riveted									
01-5956B60	•	•	•	•	•	•	•	•	•
L.E.D.									
01-5958B02		•	•		•	•	•	•	
01-5958B03	•			•					•
Nameplate									
33-5781C01			•			•			
33-5781C02		•			•				
33-5781C03	•			•					
Label Information									
54-5005E02			•						
54-5005E04		•							
54-5005E06	•					•			
54-5005E01					•				
54-5005E03				•					
54-5005E05							•		
54-5005E07								•	
54-5005E08									•
54-5005E09									•
Label Fuse									
54-82499J06			•			•			
54-82499J02	•	•		•	•		•		
54-82449J07								•	
54-82499J08									•
Label Warning									
54-82500J01	•	•	•	•	•	•	•	•	•
Fuse Holder									
09-5724C02			•	•	•	•	•	•	•
09-5724C01		•							
Transformer									
25-5721C01			•			•			
25-5726C01		•		•	•				
25-5340D01							•		
25-5339D01								•	•
Fuse									
65-898635			•			•			
65-21975		•		•	•				
65-20404							•		
65-890033								•	•
AC Card & Plug									
30-82494J06		•	•	•	•	•			
30-84406H01							•	•	•
Bumpers									
75-84660H01	•	•		•	•	•			
75-5413D01							•	•	•

Charger Cross Reference Chart

CHARGER MODEL	SLOTS	RADIO TYPE	BATTERY TYPE	CHARGE BATTERY IN RADIO	CHARGE BATTERY ONLY	COMMENTS
NLN-4036A (220V)	1	MX310-360	60-5201E01	Yes	Yes	14 hours to charge
			60-5201E02			
			60-5224C03			
NLN-4037A (220V)	1	MX310-360	60-5201E01	Yes	Yes	7 hours to charge
			60-5201E02			
			60-5224C03			
NLN-4038A (220V)	1	MX310-360	60-5201E01	Yes	Yes	1 hour to charge
			60-5201E02			
			60-5224C03			
NLN-8856A (110V)	1	MX310-360	60-5201E01	Yes	Yes	14 hours to charge
			60-5201E02			
			60-5224C03			
NLN-8857A (110V)	1	MX310-360	60-5201E01	Yes	Yes	7 hours to charge
			60-5201E02			
			60-5224C03			
NLN-8858A (110V)	1	MX310-360	60-5201E01	Yes	Yes	1 hour to charge
			60-5201E02			
			60-5224C03			
NLN-8988A (110V)	6	MX310-360	60-5201E01	Yes	Yes	1 hour to charge
			60-5201E02			
			60-5224C03			
NLN-8989A (110V)	6	MX310-360	60-5201E01	Yes	Yes	7 hours to charge
			60-5201E02			
			60-5224C03			
NLN-8990A (110V)	6	MX310-360	60-5201E01	Yes	Yes	14 hours to charge
			60-5201E02			
			60-5224C03			

MT 500 Series Portable Radios

**H23BBB, H33BBB, H23BBU, H33BBU,
H24BBB, H34BBB, H24BBU, H34BBU**





REF. NO.	PART NO.	DESCRIPTION	REF. NO.	PART NO.	DESCRIPTION	REF. NO.	PART NO.	DESCRIPTION
1	15-5660D01	Front Cover (Slimline Extended Omni Extended)	72	43-05052E01	Bushing Shoulder			
	15-5633D01	Front Cover (Slimline Short, Omni Short)	73	02-05050E01	Nut Special	NUE-6232A		Transceiver Board (UHF) (Slimline Short)
2	03-138651	Machine Screw (2-56x $\frac{1}{8}$ " Phillips Pan Hd)	74	26-05054E01	Shield Antenna	NUE-6242A		Transceiver Board (UHF) (Universal)
3	35-05450B01	Felt, Mic	75	45-05784D01	Lever	NUD-6242A		Transceiver Board (VHF) (Universal)
4	32-82744J02	Mic Gasket (Slimline Extended, Omni Extended, Omni Short)	76	41-05783D03	Spring Actuator (PTT)	NUD-6243A		Transceiver Board (VHF) (Universal)
	32-05778E01	Mic Gasket (Slimline Short)	77	32-05753E01	Gasket (PTT)	128	NUD-6252A	Transceiver Board (Basic) (VHF) (Omni Extended, Omni Short)
5	59-82575J02	Mic Cartridge	78	39-05684E01	Contact, Disc (PTT)			Transceiver Board (Basic) (VHF) (Omni Extended, Omni Short)
6	75-82745J02	Pad Clamp	79	39-05681E01	Contact, Feed-thru (PTT)	NUD-6253A		Transceiver Board (Basic) (VHF)
7	07-5672D01	Mic Bracket	80	32-05082E02	Seal O Ring	NUE-6233A		Transceiver Board (Basic) (UHF)
8	04-05314E01	Washer, Spring	81	41-5267E01	Spring Compression	NUE-6243A		Transceiver Board (Basic) (UHF)
9	35-05370G01	Cloth Felt Grill	82	22-05084E02	Pin Spring	NUE-6232A		Transceiver Board (Basic) (UHF) (Slimline Extended)
10	50-05334D01	Speaker	83	04-05249E01	Washer Insert			
11	42-05670D01	Clamp, Speaker	84	03-05246E01	Screw Set			
12	42-05671D01	Clamp, Speaker	85	43-05781D01	Insert Threaded			
13	01-5956C63	Recept, Conn Assembly	86	46-05154E01	Stud			
14	42-05573A01	Strap, Contact Neg	87	04-05248E01	Washer, Stud			
15	42-05575A01	Contact, Sen	88	39-05080E01	Pin Contact	NUE-6242A		Transceiver Board (Basic) (UHF)
16	42-05283E01	Strap Contact Charge	89	32-05082E03	Gasket O Ring	NUD-6242A		Transceiver Board (Basic) (VHF)
17	42-05576A01	Strap Contact	90	41-05424F01	Spring Compression	NUD-6243A		Transceiver Board (Basic) (VHF)
18	14-05282E01	Contact	91	42-05463E02	Ring Retaining	131	03-139675	Machine Screw (2-56x $\frac{1}{8}$ " Flt Head)
19	42-05280E01	Strap Contact Positive	92	09-05677D01	Receptacle			
20	42-05281E01	Strap Contact Positive	93	03-139684	Screw (0-80x $\frac{1}{8}$ Fill Hd)	132	04-5361E01	Washer Special
21	65-05214E01	Fuse	94	41-05076E03	Contact	133	07-5261E01	Bracket, Switch
22	48-82466H13	Rectifier, Silicon	95	46-05072E01	Block (Slimline Extended, Slimline Short, Omni Short)	134	05-05095E05	Eyelet
23	14-82392E05	Insulator Paper		46-5072E01	Block (Omni Extended)	135	02-05254E01	Nut Captive
24	33-05537E01	Name plate	96	41-05076E01	Contact	136	40-05265E01	Switch, Micro
25	37-12297	Tubing, Teflon (.38)	97	04-134190	Washer	137	42-05274E01	Ring, Retainer
26	13-05779E01	Grill Mic	98	03-138651	Mach Screw (2-56x $\frac{1}{8}$ SST)	138	02-05250E01	Nut (PTT)
27	11-10019A88	Adhesive Silicone Rubber	99	32-05075E01	Seal O Ring	139	41-05252E01	Spring (PTT)
28	13-00868710	Label, Patent	100	11-10019A63	Adhesive, RTU Silicone Rubber (Slimline Extended)	140	47-05251E01	Actuator, (PTT)
29	54-865436	Label, FCC		11-10019A88	Adhesive, RTU Silicone Rubber (Omni Extended, Slimline Short, Omni Short)	141	32-05077E01	Gasket, Switch
30	32-05315E01	Gasket, plug	101	11-10019A63	Sealant Compound (PURP)	142	15-05212E01	Cover, receptacle
31	38-05115E01	Plug, cover	102	40-05120E01	Switch Toggle (Slimline Short, Slimline Extended)	143	41-05783D01	Spring Actuator
36	40-5061E01	Switch, toggle, SPDT		40-05053E01	Switch Rotary (Omni Extended)	144	46-05247E01	Stud, Heat Sync
37	32-05082E01	Gasket, O Ring		40-05119E01	Switch Rotary (Omni Short)	145	64-05538E01	Plate Information (Slimline Extended, Omni Extended, Omni Short)
38	04-05081E01	Washer Special	103	02-82653D07	Nut Special (Slimline Extended, Slimline Short)	146	15-5858D01	Housing Sleeve (Omni Extended)
39	02-05050E03	Nut, mtg		02-82653D05	Nut Special (Omni Extended, Omni Short)	15-5651D01		Housing Sleeve (Omni Short)
40	13-05057E01	Escutcheon, switch		104	75-83562H02	147	11-10019A76	Adhesive Silicon Rubber (Omni Extended, Omni Short)
41	36-05114E01	Knob, Switch	104	75-83562H02	Pad Rubber	148	32-05909D01	Gasket Frame (Omni Extended, Omni Short)
42	03-83174C04	Screw, set	105	43-05051E01	Bushing Insulator	149	42-05860D01	Clip, Antenna
43	15-056897D01	Cover, battery	106	13-05621D05	Escutcheon (Slimline Extended, Slimline Short)	150	04-05314E03	Spring, Washer (Omni Extended, Omni Short)
44	38-05098D01	Button		13-05621D07	Escutcheon (Omni Extended, Omni Short)	151	03-4900865	Machine Screw (2-56x $\frac{3}{16}$ ")
45	04-05910D01	Washer	107	03-05129E01	Screw, Jack	03-05044E01		Screw, Special (Omni Extended, Omni Short)
46	04-05316E01	Washer Spring	108	36-05114E01	Knob Switch (Slimline Extended, Slimline Short)	153	03-115356	Machine Screw (2-56x $\frac{3}{16}$ ")
47	55-05907D01	Latch		36-050926D01	Knob Control (Omni Extended, Omni Short)	154	04-400139	Lock Washer (2 split)
48	75-5083E01	Pad	109	03-83174C04	Set Screw	155	02-1156	Nut (2 hex)
50	26-05045E01	Shield, antenna tube (Slimline Extended, Slimline Short)	110	ST-195	Glyptol	156	46-07598E01	Post, Guide
51	15-05698D01	Cover, rear (Slimline Short)	111	04-82418B97	Washer, Teflon	157	02-05797E01	Nut
	15-05943D01	Cover, rear (Omni Extended)	112	36-05927D01	Knob, Volume	158	42-05445E04	Clip
	15-05039E01	Cover, rear (Slimline Extended)	113	36-05927D03	Knob, Squelch	159	42-05445E03	Clip
	15-05699D01	Cover, rear (Omni Short)	114	03-83174C02	Set Screw	160	42-05445E02	Clip
52	75-05083E01	Pad (Omni Extended, Omni Short)	116	85-05550E01	Antenna Telescopic (2 Section)	161	42-05445E01	Clip
53	75-05083E02	Pad (Omni Extended, Omni Short)	117	85-05549E01	Antenna Telescopic (5 Section)	162	46-5800E01	Screw, Guide (Omni Extended)
54	04-84345A06	Washer Seal	118	85-05509E01	Antenna Telescopic (6 Section) (Slimline Extended, Slimline Short, Omni Short)	164	NLN-4215A	C7 R & Deck (Omni Extended)
55	03-05662D01	Screw, Captive (Slimline Extended, Slimline Short)		85-05762A01	Antenna Telescopic (6 Section) (Omni Extended)	165	NLN-4645A	Tone PL Deck (Universal) (Omni Short, Omni Extended)
	03-05662D02	Screw, Captive (Omni Extended, Omni Short)	119	03-05129E01	Screw, Jack (Slimline Extended, Slimline Short)	NLN-4644A		Tone PL Deck (Basic) (Omni Short, Omni Extended)
56	03-05011E01	Latch, Screw	120	75-83562H01	Pad, Rubber (Slimline Extended, Slimline Short)	166	NLN-4476A	DPL—TPL Deck (Omni Short, Omni Extended)
57	14-05359A01	Insulator, Contact (Slimline Extended)	121	43-05051E01	Bushing Insulator (Slimline Extended, Slimline Short)	167	NLN-4475A	Time Out Timer Deck (Omni Short)
	14-05359E01	Insulator, Contact (Slimline Short)	122	13-05621D01	Escutcheon (Slimline Extended, Slimline Short)	NLN-4211A		Optional Deck (Tone PL) (Omni Extended, Slimline Extended)
59	NLN-4181A	Latch Assembly (Slimline Extended, Slimline Short)	123	75-83562H02	Pad, Rubber (Slimline Extended, Slimline Short)	NLN-4646A		Optional Deck (Tone PL) (Omni Extended, Slimline Extended)
	NLN-4182A	Latch Assembly (Omni Extended, Omni Short)	124	04-82418B97	Washer, Teflon (Slimline Extended, Slimline Short)	168	NLN-4212A	Optional Deck (Digital PL) (Omni Extended, Slimline Extended)
62	03-138661	Screw Mach (2-56x $\frac{3}{16}$ ")	125	NUE-6242A	Transceiver Board (UHF) (Universal) (Omni Extended, Omni Short)	169	NLN-4213A	Optional Deck (Selective Call) (Omni Extended, Slimline Extended)
63	03-136666	Screw Mach (2-56x $\frac{1}{4}$ ")		NUE-6232A	Transceiver Board (UHF) (Universal)	170	NLN-4273A	Optional Deck (Single Tone) (Omni Extended, Slimline Extended)
64	07-5640D01	Frame Extended (Slimline Extended, Omni Extended)		NUD-6232A	Transceiver Board (VHF) (Universal)	171	NLN-4475A	Time Out Timer (Omni Extended, Omni Short)
	07-05547D01	Frame Short (Slimline Short, Omni Short)		NUD-6242A	Transceiver Board (VHF) (Universal)	172	NLN-4452A	Sel Call (4 Tone) (Omni Extended)
65	32-05909D01	Gasket Frame (Slimline Extended Slimline Short, Omni Short)		NUD-6243A	Transceiver Board (VHF) (Universal)	173	NLN-4727A	Sel Call (Long Tone) (Omni Extended)
	32-05909D02	Gasket, Frame (Omni Extended)				174	NLN-4722A	Multi Single Tone (Omni Extended)
66	43-05661D01	Bushing Cover mtg				175	NLN-4573A	C8 R8 Deck (Omni Extended)
67	18-05055E01	Pot Cermet						
68	18-05333E01	Pot Cermet Alternate						
69	02-82653D03	Nut Special						
70	18-05370E01	Potentiometer Control Switch						
71	09-05283B01	Jack Micro						

**MT500 Microphones**

Replacement Parts	NMN6081A	NMN6082A	NMN6083A
Cartridge			
01-5958C19	•	•	
50-82162D01			•
Switch			
40-82159D02	•	•	
40-84289H01			•
Push button			
38-83388G03			•
Front Cover			
15-5722B03	•	•	
15-82565J04			•
Cord only			
30-84048H02	•		
30-84123H02		•	
30-5849C01			•

Replacement Parts	NMN6081A	NMN6082A	NMN6083A
Cord & Plug			
01-5958C16	•		
01-5958C18		•	•
01-5958C64			•
Strain relief			
41-5466B02	•	•	
Mike Plug			
01-5958C17	•	•	
01-5958C65			•
Rear Cover			
01-5958B63	•	•	
01-5958C66			•

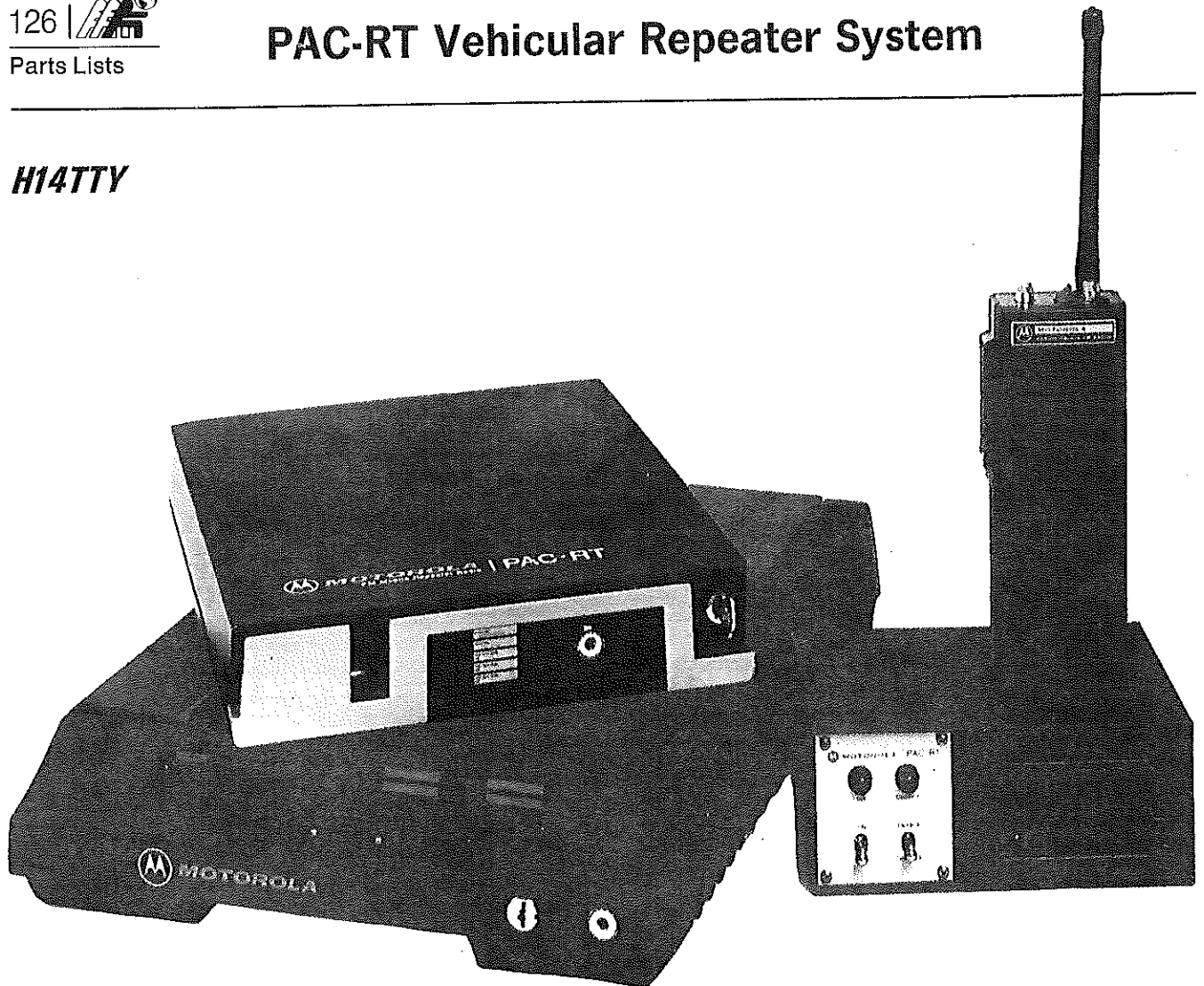
Charger Cross Reference Chart

CHARGER MODEL	SLOTS	RADIO TYPE	BATTERY TYPE	CHARGE BATTERY IN RADIO	CHARGE BATTERY ONLY	COMMENTS
NLN-4557A	1	HT 220 Slim	NLN-6682A	Yes	Yes	110V Regular Rate
NLN-4559A	1	HT 220 Slim	NLN-6682A	Yes	Yes	220V Regular Rate
NLN-4561A	1	HT 220 Omni	NLN-6761A	Yes	Yes	110V Regular Rate
NLN-4563A	1	HT 220 Omni	NLN-6761A	Yes	Yes	220V Regular Rate
NLN-4565A	1	MT 500 Slim	NLN-4462A	Yes	Yes	117V Rapid
		HT 220 Slim	NLN-6899A	Yes	Yes	
NLN-4567A	1	MT 500 Slim	NLN-4462A	Yes	Yes	220V Rapid
		HT 220 Slim	NLN-6899A	Yes	Yes	
NLN-4569A	1	MT 500 Omni	NLN-4463A	Yes	Yes	117V Rapid
		HT 220 Omni	NLN-6900A	Yes	Yes	
		HT 220 Omni (PS)	NLN-8232A	Yes	Yes	
NLN-4571A	1	MT 500 Omni	NLN-4463A	Yes	Yes	220V Rapid
		HT 220 Omni	NLN-6900A	Yes	Yes	
		HT 220 Omni (PS)	NLN-8232A	Yes	Yes	
NLN-4558A	12	HT 220 Slim	NLN-6682A	Yes	Yes	110V Regular Rate
NLN-4560A	12	HT 220 Slim	NLN-6682A	Yes	Yes	220V Regular Rate
NLN-4562A	12	HT 220 Omni	NLN-6761A	Yes	Yes	110V Regular Rate
NLN-4564A	12	HT 220 Omni	NLN-6761A	Yes	Yes	220V Regular Rate
NLN-4566A	12	MT 500 Slim	NLN-4462A	Yes	Yes	117V Rapid
		HT 220 Slim	NLN-6899A	Yes	Yes	
NLN-4568A	12	MT 500 Slim	NLN-4462A	Yes	Yes	220V Rapid
		HT 220 Slim	NLN-6899A	Yes	Yes	
NLN-4570A	12	MT 500 Omni	NLN-4463A	Yes	Yes	117V Rapid
		HT 220 Omni	NLN-6900A	Yes	Yes	
		HT 220 Omni (PS)	NLN-8232A	Yes	Yes	
NLN-4572A	12	MT 500 Omni	NLN-4463A	Yes	Yes	220V Rapid
		HT 220 Omni	NLN-6900A	Yes	Yes	
		HT 220 Omni (PS)	NLN-8232A	Yes	Yes	
NLN-6691A	1	MT 500 Slim		Yes	No	Vehicular Charger
NLN-6892A	1	MT 500 Omni		Yes	No	Vehicular Charger



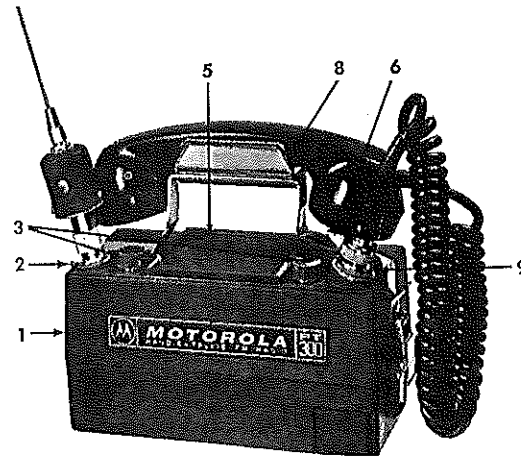
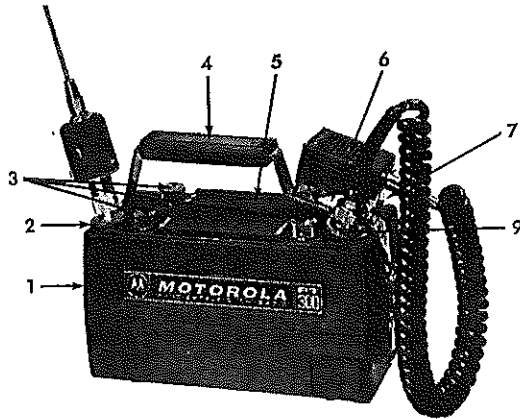
PAC-RT Vehicular Repeater System

H14TTY



PART NO.	DESCRIPTION	PART NO.	DESCRIPTION
ST-1113	Trunk Lip Mount Antenna (450-470 MHz)	NLN-4368A	Control Unit/Vehicular Charger (use with all PL model HT220 Omni Housing HANDIE-TALKIE Radios)
NKN-6212B	Interface Cable (multiple frequency MICOR Mobile Radio)	NLN-4369A	Control Unit/Vehicular Charger (use with all PL model MX-310 or MX-320 HANDIE-TALKIE Radios)
NKN-6214A	Interface Cable (all MOCOM-70, MOTRAC, MOTRAN Mobile Radios)	NLN-8980A	Control Unit Holder (use with all PL models HT220 Slim-line housing HANDIE-TALKIE Radios)
NKN-6231A	Interface Cable (GE "MASTR PROGRESS LINE" Mobile Radios)	NLN-8981A	Control Unit/Vehicular Charger (use with all PL model HT220 Slim-line housing HANDIE-TALKIE Radios)
NKN-6232A	Interface Cable ("MASTR II" Mobile Radios)	NHN-6246A	Housing
NKN-6233A	Interface Cable (RCA "SERIES 1000" Mobile Radio)	NHN-6247A	Mounting Tray
NLN-4537A	Control Switch (for controlling the PAC-RT Vehicular Repeater)		
NLN-4367A	Control Unit/Vehicular Chargers (use with all PL model HANDIE-COM)		

PT 200/300/400 Series Portable



REF. SYMBOL	PART NUMBER	DESCRIPTION	
1	1V80749A97	Assem. Housing W/Handle U/W NCN6039B, 45B	
	1V80749A98	Assem. Housing W/Handle U/W NCN6040B, 41B, 42B, 43B, 46B, 47B, 48B, 49B, 50B, 51B, 58B	
	1V80727A11	Assem. Handle only for Above	
	1V80753A76	Assem. Housing W/Handle U/W NCN6044B, 56B	
	1V80753A77	Assem. Housing W/Handle U/W NCN6052B, 53B, 54B, 55B, 57B, 59B, 60B, 61B, 65B	
	1V80729A93	Assem. Handle only For Above	
	1V80750A96	Assem. Housing W/Handle U/W NCN6067A	
	1V80751A08	Assem. Housing W/Handle U/W NCN6068A, 69A, 70A	
	1V80750A97	Assem. Handle Only For Above	
	1V80751A15	Assem. Housing W/Handle U/W NCN6071A	
	1V80751A19	Assem. Housing W/Handle U/W NCN6072A, 73A, 74A	
	1V80751A16	Assem. Handle Only For Above	
	2	9C82817E01	Receptacle, Antenna
		1V80730A93	Assem. Plate, For Ant. Connector Mtg.
	3	36B82812E01	Knob W/Dot (Less set screw)
36B82812E03		Knob Less Dot (Less set screw)	
3A83174C01		Set Screw	
4	33B82516G01	Nameplate	
5	13C82815E01	Grille U/W 1 Freq. Standard Squelch Units	
	13C82815E04	Grille U/W 2 Freq. Standard Squelch Units	
	13C82815E03	Grille U/W 1 Freq. Dual Squelch Units	
	13C82815E02	Grille U/W 2 Freq. Dual Squelch Units	
	32B82804E01	Gasket, Speaker	
	35B82803E01	Grille Cloth	
	6	38B82807E01	Button (Push On-Off)
3S132717		Machine Screw (3-48x5/32 Slit Bin)	
4S400149		Lock Washer (#3 Spt Lt)	
7	40B82851E01	Switch, Toggle (On-Off)	
	42C82811E01	Holder, Mlc.	
	33B82523G01	Nameplate	
8	1V80715A85	Assem. Connector 4 Pin Female (potted)	

NON-REFERENCED ITEMS

18C82816E01	Pot. (5K) Squelch
18C82816E02	Pot. (10K) Volume
40C82843E01	Switch, Rotary (2 Pole 2 Pos.)
40C82891E01	Switch, Rotary (3 Pole 4 Pos.) Also replaces 2 pole, 4 pos. 40-82890E01
42K861179	Clamp, Cable
43A82896A01	Bushing, Waterproof Seal
4C82418B15	Washer, Insulating

PART NUMBER	DESCRIPTION
3S7362	Machine Screw (6-32 x 1/2 Slit Bin)
3S7164	Machine Screw (6-32 x 1/4 Slit Bin)
3S1437	Machine Screw (4-40 x 5/8 Slit Bin)
3S129073	Machine Screw (2-56 x 1/4 Slit Bin)
2S8365	Nut (1/4-32 x 3/8 Hex)
2A482070	Nut, Ring

POWER SUPPLIES

PART NUMBER	DESCRIPTION
NPN6030B	
1V80731A83	Assem. Housing Riveted
1V80731A84	Assem. Batt. Holder (Complete)
1V80731A86	Assem. Batt. Cover (Complete)
65S20404	Fuse (3A-250V)
47A102105	Pin, Cross
46A82155H01	Stud, Oval Head
38A83512C01	Button, Fuse
NPN6031A	
1V80731A01	Assem. Housing Riveted
64B82653G01	Plate, Door
41A82652G01	Spring, Torsion
22A82651G01	Pin, Pivot
65A82496G01	Fuse (3A-32V)
28A82488G01	Connector, Male (2 Contact)
NPN6033A	
1V80735A56	Assem. Housing Riveted
1V80735A57	Assem. Batt. Holder (Complete)
1V80735A59	Assem. Batt. Cover (Complete)
NPN6036A	
1V80750A86	Assem. Housing Riveted
1V80750A87	Assem. Batt. Holder (Complete)
65S52293	Fuse (5 Amp.)

NPN6038A

1V80759A96	Assem. Housing Riveted
64B82653G01	Plate, Door
65S122345	Fuse (5A-32V)

Portable/Paging Charger Cross Reference Chart

Parts Lists

CHARGER MODEL	SLOTS	RADIO TYPE	BATTERY TYPE	CHARGE BATTERY IN RADIO	CHARGE BATTERY ONLY	COMMENTS
NLN1067A	1	Tone Pageboy (Bell)	*NLN6394A NLN6810A	Yes	*Yes	*Battery Adapter NLN6395A 16/27 ma. charge @ 2.6 v.
NLN1069A	1	Tone Pageboy (Motorola)	*NLN6394A NLN6810A	Yes	*Yes	*Battery Adapter NLN6395A 16/27 ma. charge @ 2.6 v.
NLN6118A	5	Master for Xmtrs.	NLN6117A	Yes	No	Master 16 v. @ 12 ma.
NLN6121A	1	Transmitter	NLN6117A	Yes	No	16 v. 12 ma.
NLN6259B	1	HT 200's	NLN6238A NLN6607A	Yes	Yes	For NLN6607A use 65-82010C04, #1819 charging lamp.
NLN6260B	12	H21, 3, 4 DCN Z13, 14 ULN	NLN6238A NLN6607A	Yes Yes	Yes Yes	Trickle—3 ma. Charge 20 ma. Trickle—3 ma. Charge 61 ma.
NLN6270A	1	P21, 23, 31 & 33 DDC Series	NLN6267A	Yes	No	Charge 66 ma. Trickle 15 ma. Vehicular.
NLN6302B	1	Bellboy	NLN6394A	Yes	*Yes	*NLN6395A Adapter Required. 14 ma.
NLN6418A	1	P43DEN	NPN1006A	Yes	Yes w/Cable	Charge 150 ma. Trickle 10 ma.
NLN6432B	1	Tone & Voice Pageboy	*NLN6431A NLN6811A	Yes	*Yes	*Battery Adapter NLN6433B 14/37 ma. Charge @ 3.9 v.
NLN6445B	1	Tone Pageboy	*NLN6394A NLN6810A	Yes	*Yes	*Battery Adapter NLN6395A 16/27 ma. Charge @ 2.6 v.
NLN6455A	5	Tone & Voice Pageboy	*NLN6431A	Yes	*Yes	Master *Battery Adapter NLN6433A 2-3 ma. Trickle and 14 ma. Charge.
NLN6459B	5	Tone & Voice Pageboy	*NLN6431A	Yes	*Yes	Auxiliary *Battery Adapter NLN6433A 2-3 ma. Trickle and 14 ma. Charge.
NLN6474A	1	P21, 23, 31, 33 DDC, P21, 31 DDN P23, 33 DEN & P33 TAC Series	NLN6267A w/NPN1007A Power Supply	Yes	Yes	Charge 66 ma. Trickle 15 ma.
NLN6480A	4	PT200 & 300 Series and PRC— See CLN6097A Battery listing. PT400 Series	NLN6267A w/NPN1007 Power Supply NLN6408A w/NPN1006 Power Supply	Yes Yes	Yes* *Yes	*Use NKN6111A Cable Kit. *Use NKN6095A Cable Kit. Rate Selector Switch Position Trickle 13-18 ma. 9-12 ma. Normal 80-105 ma. 27-38 ma. High 245-265 ma. 100-130 ma.
NLN6488B	5	Tone Pageboy also Bellboy	NLN6394A	Yes	*Yes	Master *Battery Adapter NLN6395A 2-3 ma. Trickle 14 ma. Charge.
NLN6490B	23	Tone Pageboy also Bellboy	NLN6394A	No	Yes	14 ma./3 ma.
NLN6491B	23	Tone & Voice Pageboy	NLN6431A	No	Yes	14 ma./3 ma.
NLN6531A	1	P43 DDN Series	NLN6408A	Yes	No	Charge 150 ma. Trickle 10 ma.
NLN6684B	1	Slim Line HT 220's	NLN6682A	Yes	Yes	38 ma./3 ma.
NLN6685A	12	Slim Line HT 220's	NLN6682A	Yes	Yes	38 ma./3 ma.
NLN6691A	1	Slim Line HT 220's	NLN6682A	Yes	No	22 ma./4.1 ma.
NLN6756A		Omni-Housing HT 220's	NLN6761A	Yes	Yes	90 ma./3 ma.
NLN6804B	1	Omni-Housing HT 220's	NLN6761A	Yes	Yes	90 ma./3 ma.
NLN6806B	1	H13FFN	NLN6781B	Yes	Yes	7.5 ma./1 ma.
NLN6892A	1	HT 220's Omni-Housing	NLN6761A	Yes	No	42 ma./4.4 ma. Vehicular Charger.
NLN6895A	1	H23, 4, 33, 4FFN Optional Rapid Charge	NLN6899A NLN6682A-6761A	Yes Yes	Yes Yes	Rapid Charger 250 ma./25 ma. 25 ma. Rate only!
NLN6896B	12	H23, 4, 33, 4FFN Optional Rapid Charge	NLN6899A	Yes	Yes	Rapid Charger 250/25 ma.
NLN6897A	1	H23, 4, 33, 4FFN Optional H.D.	NLN6900A	Yes	Yes	Rapid Charger H.D. 450/45 ma.
NLN6898B	12	H23, 4, 33, 4FFN Optional H.D. Rapid Charge	NLN6900A	Yes	Yes	Rapid Charger H.D. 450/45 ma.
NLN8004A	1	Handie Com	NLN8096A	Yes	Yes	Rapid Charge.
NLN8005A	1	Handie Com	NLN8002A	Yes	Yes	Standard Charge.
NLN8205A	6	Handie Com	NLN8002A	Yes	Yes	Standard Charge.
NLN8206A*	6	Handie Com	NLN8096A	Yes	Yes	Rapid Charge *Requires NLN8207A Power Supply.
NLN8207A	—	Handie Com	—	—	—	Power Supply for NLN8206A (will Power 2—Total of 12 Batteries)

*See Comments Column

Single Unit Chargers

	Sleeve & Contact 1-80779A20	1-80779A21	1-80779A22	1-80779A23	1-80779A24	1-80779A25	1-80779A26	1-80779A27	1-80779A28	1-80779A29	1-80779A30	Base 60-171135	15-82224E03	15-82224E04	1-80707A88	Base Plate 64-82274E01	1-80793A02	27-82243B01	Rubber Bumpers (Legs) 75-82249E01	75-84660H01	75-82246B01 (Pad)	Fuses 65-480555	65-475395	65-474859	Fuse Holder & Cover 9-82083C02	9-865584	Escutcheon 13-82260E01	13-5764F01	13-546E01	Toggle Switch 40-80248	Bulbs Charge Normal 65-82010C03 #756	Heavy Duty 65-82010C01 #1819	65-810161 #1829	65-818438	65-84686H01 2 Reg. 65-868605 NEZH	Trickle (Charge) 65-818438	Lamp Sckt. Brk. 60-17135	Jewel ENG 60-82087A01	Jewel Clear 60-898914	60-5651E01				
NLN-6259B	X											X			X	X			X			X			X			X		X	X	X	X								X			
NLN-6684A		X														X	X		X			X			X			X																
NLN-6804B			X													X	X		X			X			X			X																
NLN-6806B				X												X	X		X			X			X			X																
NLN-6895A					X								X			X	X		X			X			X			X																
NLN-6897A				X									X			X	X		X			X			X			X																

Multiple Unit Chargers

	Sleeve & Contact 1-80787A27	01-5956C44	1-80792A89	1-80792A96	1-80792A97	1-80792A98	Lamp Sckt. & Brk. Pilot 60-171135	60-82096A01	Unit (Charge) 60-82087A01	Lamp Sckt. Unit 9-84805H01	9-84747H01	Lamp Brk. Unit	Bulbs Pilot 65-818438	65-898920	Trickle 65-818438	Charge 65-868605	65-82010C16	65-810161	Jewel & Lens 60-898914	61-82361J01 Red	61-82351J02 Grn.	Clear use 60-82306A01	Red use 60-82087A01	Switch Pilot 40-482097	Unit (Power Supply) 40-80248	Fuses 65-804910	65-817955	Fuse Cover & Holder 9-82083C02	9-855564	Rubber Bumpers 75-846052																	
NLN-6685A	X						X			X		X	X		X			X																													
NLN-6756A								X		X		X	X		X			X																													
NLN-6896B			X							X		X	X		X			X																													
NLN-6898B			X							X		X	X		X			X																													
NLN-6260B				X			X			X		X	X		X			X					X																								
NLN-6118A					X							X	X		X			X				X																									
NLN-6119A					X				X			X	X		X			X				X																									

Handie-Com Chargers

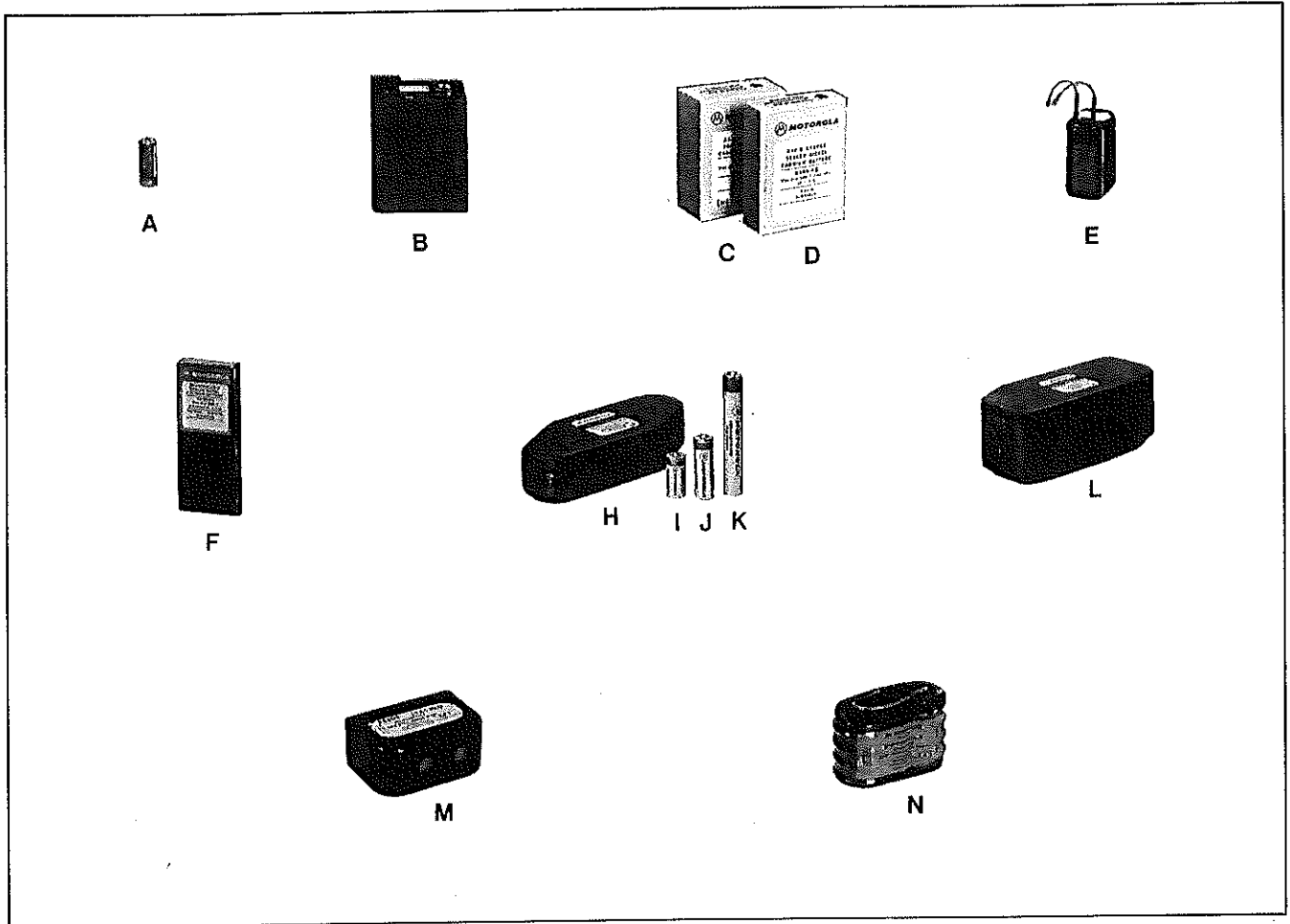
	Contact Pin 39-5806A02	Contact Spring 41-82093A02	Contact Washer 4-84734A01	Sleeves & Contact 1-80706C19	1-80706C54	Housing 15-82490J01	15-82490J02	15-82841J01	Escutcheon 13-82493J03	13-82493J01	Base Plate 64-82491J01	Top Plate 64-82843J01	64-82843J02	Lamp Socket 9-82890J01	9-82488J01	Lamp 65-810161	65-82110C03	Lens 61-82890J01 Red	61-82890J02 Grn.	61-82896J01 Red	61-82896J02 Grn.	Fuse 65-13290	65-136778	65-475395	(Power Supply) 65-317955	Fuse Holder & Cover 9-82093C03	Rubber Bumpers 75-82554A04	Power Supply 01-5954D01																	
Rapid Charge Single Unit NLN-8004A	X	X	X			X			X		X	X		X		X		X	X			X																							
Standard Charge Single Unit NLN-8005A	X	X	X				X		X		X	X		X		X			X			X																							
Standard Charge Multi-Unit NLN-8205A				X				X	X		X	X		X		X			X			X																							
Rapid Charge Multi-Unit (Power Supply Reg.) NLN-8206A					X			X	X		X	X		X		X			X	X		X				X																			

Vehicular Chargers

	Sleeve & Contact 1-80762A08	1-80792A82	1-80789A71	Slim Line Sleeve Insert 1-80789A70	Escutcheon 13-82678G01	13-83048A01	13-63971D01	13-83434C01	Switches 40-482097	Bulbs Pilot 65-861828	Charge 65-82671C01	Charge 65-82671G01	Pilot 55-868908	Charge 65-868908	Pilot 65-861828	Lamp Socket & Lens 9-82684G01	Amber 9-82684G04	Blue 9-82684G03	Fuses 60-304908	Jewels Red 61-83436B01	Blue 61-83436B03	Amber 61-83436B04
NLN-6270A					X											X	X	X	X			
NLN-6418A	X									X		X			X	X	X	X	X			
NLN-6531A										X		X			X	X	X	X	X			
NLN-6691A	X			X	X	X	X	X	X	X	X	X	X	X	X	X	X	X	X			
NLN-6892A	X				X	X	X	X	X	X	X	X	X	X	X	X	X	X	X			

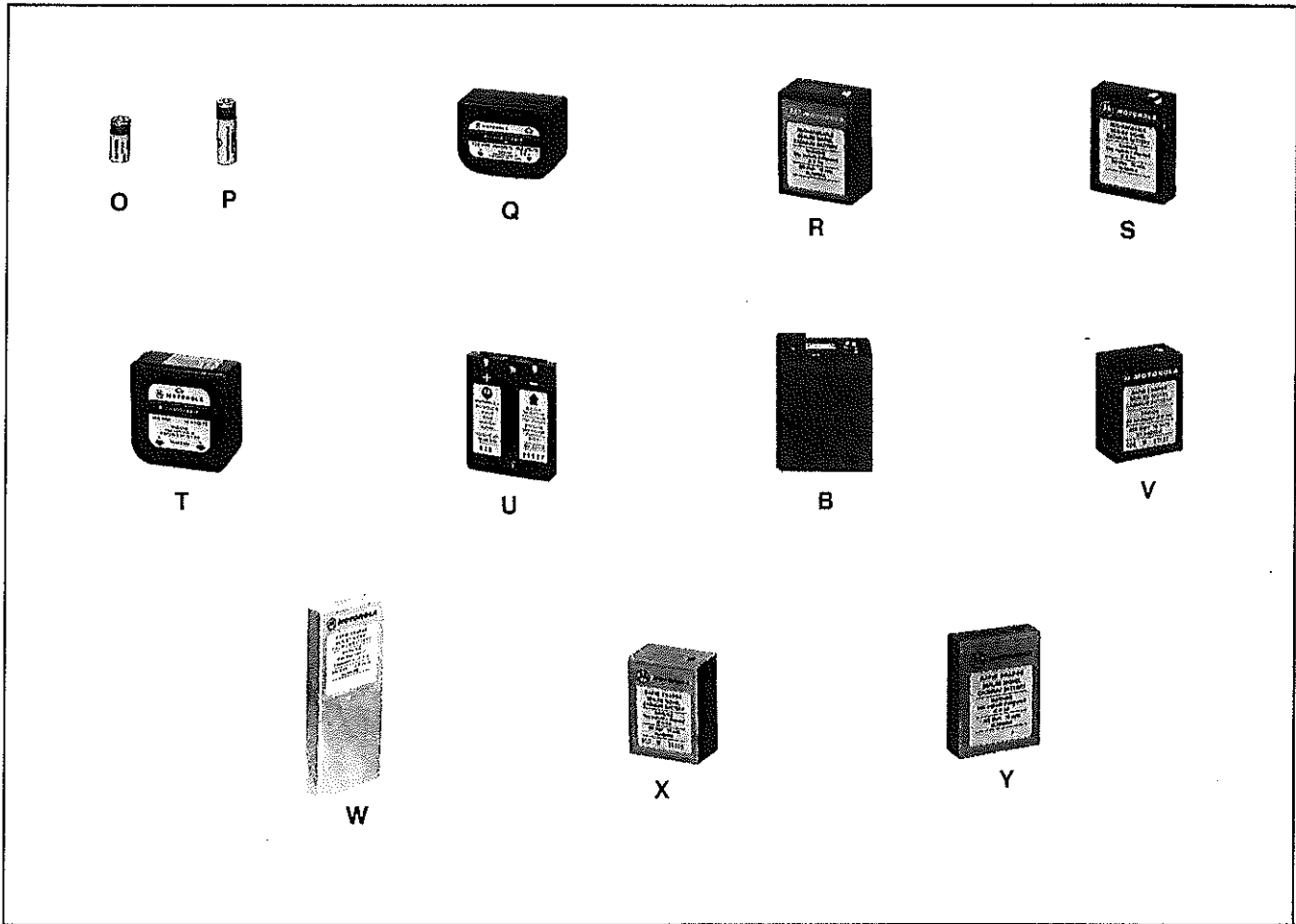
Batteries

Parts Lists



Nickel Cadmium (Not fully charged when shipped)

PART NO.	FIG.	KIT NO.	COMMENTS
60-5104A01	A	NLN-8276A NLN-6965A	For tone and voice PAGEBOY II, PAGECOM, DIMENSION IV, DIRECTOR, MINITOR, and SPIRIT Pagers
60-5222C03	B	NLN-8833A	MX 300 Ultra-high capacity 7/14 HR charge, 4.44" height
60-05463E01	B	NLN-8832	MX 300 high capacity, 7/14 hr charge, 2.4" height.
60-05737E01	C	NLN-4462	Dual charge for MT-500 Slimline
60-05742E01	D	NLN-4463	Dual charge for MT-500 omni.
60-82132J01	E	NLN-8047A	
60-82324J01	F	NLN-8002A	For HANDIE-COM Radio
60-82358F01	(not shown)		For PT400 power packs, cold temperature version.
60-82447G01 Use NLN-6287A	H	NLN-6267A	For NPN-1007A and NPN-6031A, PT 200/300 power packs
60-83009H01	I	NLN-6394A	For VHF tone only PAGEBOY I Pager, 2.5V
60-83009H02	J	NLN-6431A	For VHF tone and voice PAGEBOY I Pager, 3.75V
60-83009H03	K	NLN-6117A	
60-83420D01	L	NLN-6408A	For NPN-1006A and NPN-6038A PT 400 power packs
60-83464D01	M	ZLN-6091A	
60-83605E01	N	NLN-6586A	



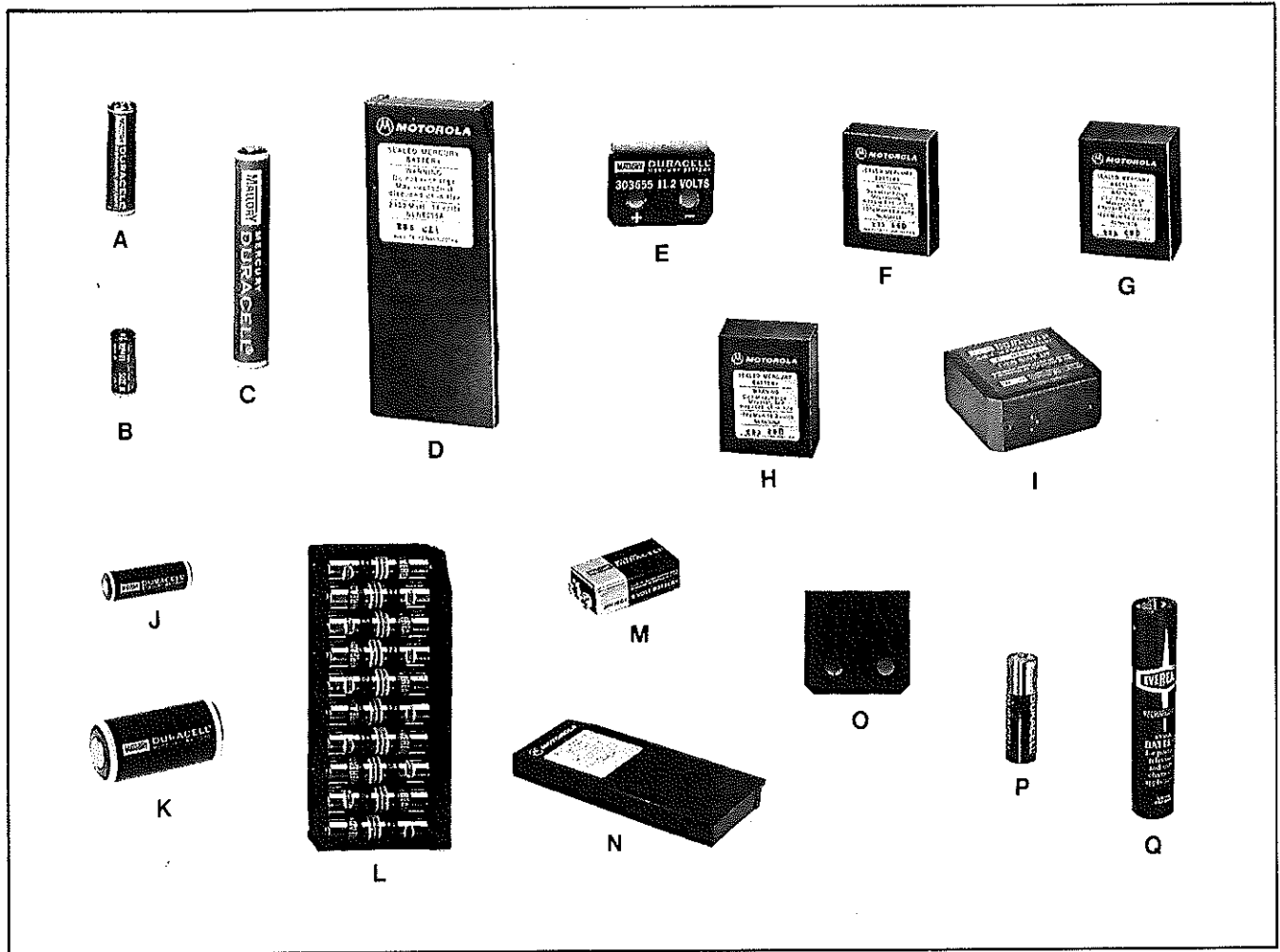
PART NO.	FIG.	KIT NO.	COMMENTS
60-83778H02	O	NLN-6810A	For VHF tone only--U.L. listed PAGEBOY I Radio; 2.5V
60-83778H03	P	NLN-6811A	For VHF tone and voice--U.L. listed PAGEBOY I Radio, 3.75V
60-83893E01	Q	NLN-6607A	For HT-200 hazardous duty radios. NOTE: radio not "intrinsically" safe with this battery.
60-84642H01	R	NLN-6761A	For HT-220 omni-housing radio
60-84643H01	S	NLN-6682A	For HT-200 slimline housing radio
60-84735H01	T	NLN-6238A	For HT-200 radio
60-84184H02	U	NLN-6781B	For HT-100 radio

Rapid Charge Nickel Cadmium (Not fully charged when shipped)

60-5201E01	B	NLN-8834B	MX 300 Med. capacity 1 HR charge, 1.83" height
60-5201E02	B	NLN-8835B	MX 300 High capacity 1 HR charge, 3.4" height
60-5224C03	B	NLN-4002B	MX 300 Light capacity 1 HR charge, 1.47" height (replaces 60-5201E03)
60-5295A03 Use NLN-8232B	V	NLN-8232B	For HT-220 omni-housing, "intrinsically" safe radios
60-05452E01	B	NLN-8840	MX 300 medium capacity, 1 hr. charge, MESA* approved model, 1.83" height.
60-05452E02	B	NLN-8841	MX 300 high capacity, 1 hr. charge, MESA* approved model, 3.4" height.
60-82387J01	W	NLN-8098A	For HANDIE-COM Radios
60-84636H01	X	NLN-6900A	For HT-220 omni housing radios
60-84641H01	Y	NLN-6899A	For HT-220 slimline housing

*Mining Equipment Safety Association

Batteries



Mercury

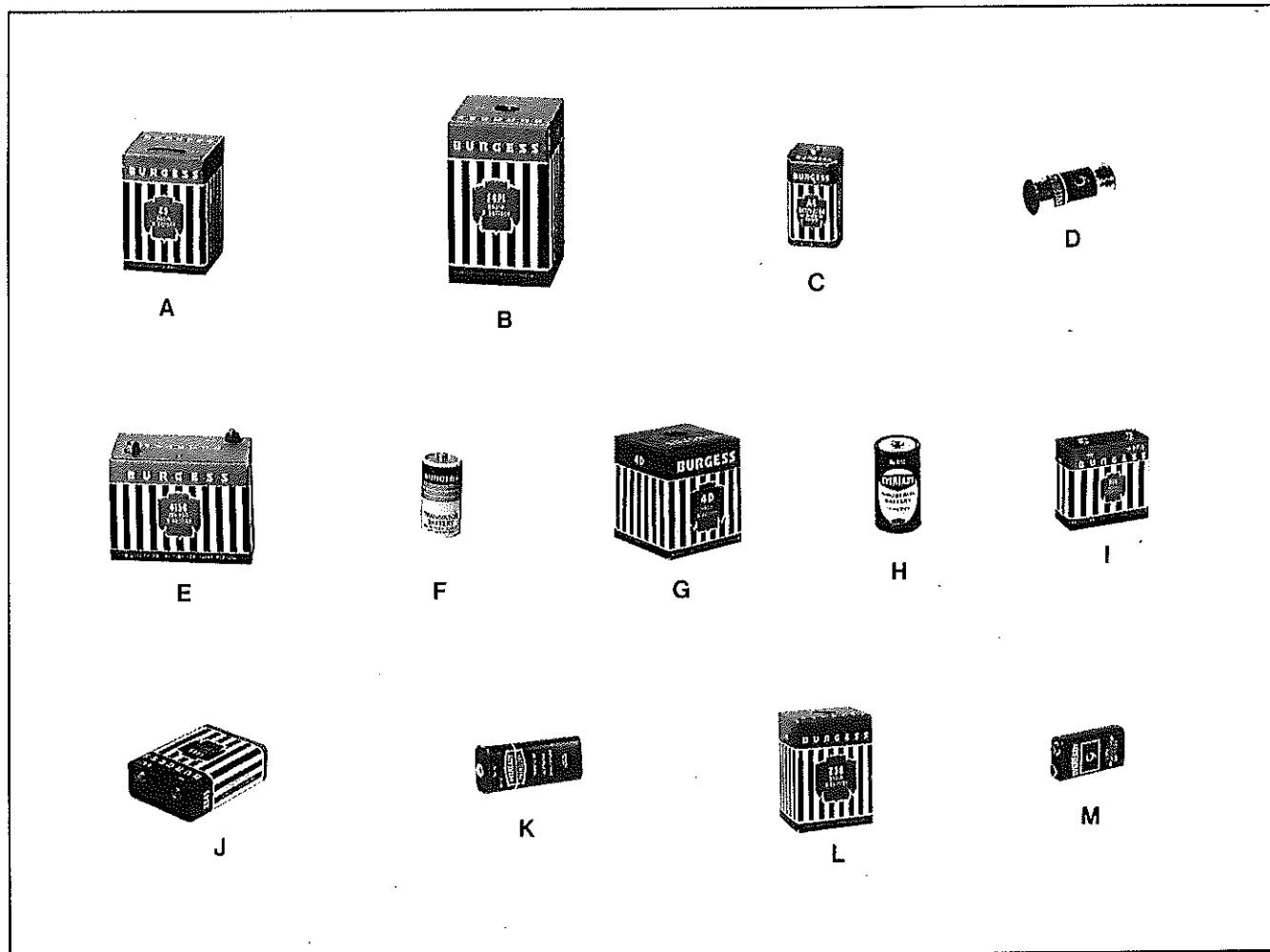
PART NO	FIG.	TERMINAL	KIT NO.	COMMENTS
60-84306A65 Same as 60-5309A01	A	Flat	NLN-8277A	"AA" cell for PAGEBOY II and METRO-PAGEBOY tone only Pagers and for HANDIE-COM Radio. Order holder NLN-8106A separately for HANDIE-COM (order 10 bat. for HANDIE-COM). (replaces 60-82357J01 and NLN-8104A)
60-5633A01	B	Flat	NLN-6199A	For tone and voice PAGEBOY II, PAGECOM, MINITOR, DIRECTOR, DIMENSION IV and SPIRIT Pagers.
60-82292H01	C	Flat	SLN-6099A	8.4 volts, 1,000 MaH
60-82325J01	D	Flat	NLN-8095A	Sealed package for HANDIE-COM Radio
60-83075E01	E	Flat	NLN-6547A	For hazardous duty HT-200 radios.
60-83582H01	F	Flat	NLN-6683A	For HT-220 Slimline Housing
60-84342H01	G	Flat	NLN-6762A	For HT-220 omni-housing, low power
60-84815H01	H	Flat	NLN-6936A	For HT-220 omni-housing, high power
60-82668D01	I	Flat	NLN-6239A	For HT-200
60-868967	J		NLN-6430A	4V for PAGEBOY I
60-868968	K			2.5V for VHF tone only PAGEBOY I
NEN-6034A	B			Box of 24 60-5633A01

Alkaline

60-82389J01	L	Flat	NLN-8105A	"AA" cell for HANDIE-COM Radio. Supplied in pack of 10, order holder NLN-8106A separately.
60-82728J01	M	Snap	NLN-8233A	9 volt
60-83082J01	N	Flat	NLN-8470A	Sealed package for HANDIE-COM Radio
60-83624C01	O			18V for HT-200
60-5310A01	P	Flat	NLN-8278A	"AA" cell for tone only PAGEBOY II and METRX Pagers.

Rechargeable Alkaline

60-84308A15	Q	3 "D" cell Flashlight		4.5 volts, 2.5 A H, dimen.: 7.1562" x 1.3437"
-------------	---	--------------------------	--	---


Carbon-Zinc

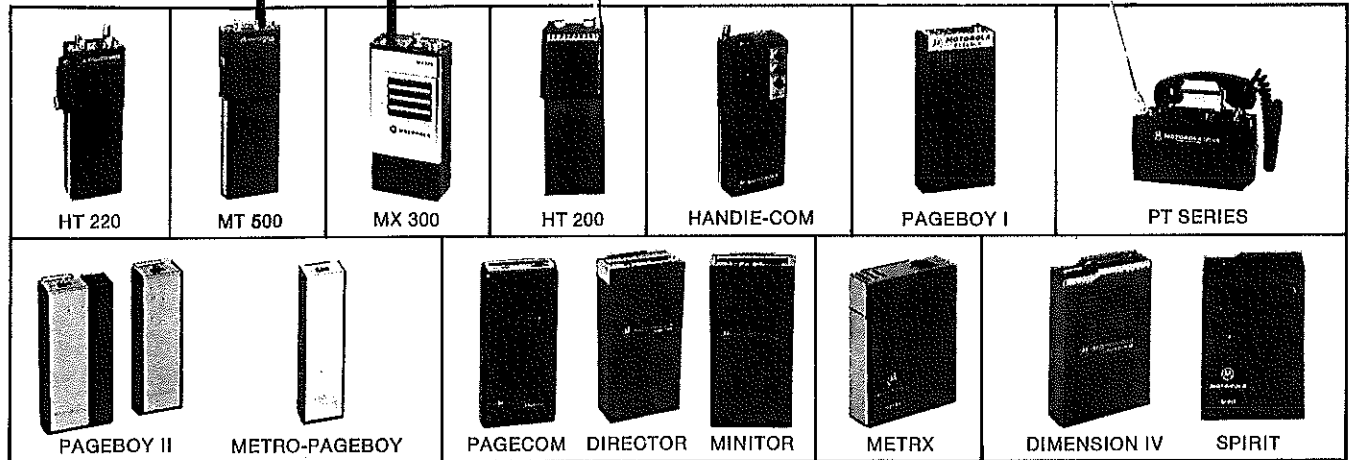
PART NO.	FIG.	VOLTS	TERMINAL	KIT NO.	DIMENSIONS	COMMENTS
60-847629	A	7.5	3 Hole Socket	NU-126	3" x 2 $\frac{3}{16}$ " x 1 $\frac{1}{16}$ "	
60-847888	B	6.0	2 Hole Socket	NU-144	2 $\frac{1}{16}$ " x 2 $\frac{1}{16}$ " x 4"	
60-848432	C	6.0	Flat (Flashlight)	NU-125	2 $\frac{1}{32}$ " x 1 $\frac{1}{32}$ " x 1 $\frac{1}{32}$ "	
60-855262	D	1.5	Flat "N" size			For Low-Frequency Paging
60-82457B01	E	22.5	no. 8-32 studs with hex nuts	SLN-6030A	3.468" x 2.875" x 2.062"	
60-82458B01	F	1.5	Flat (Flashlight "C")	SLN-6030A	1.950" x 1.005"	"C" cell
NLN-6310A						Kit of 11 industrial "D" cells.
NLN-6406A						Kit of 22 industrial "D" cells.

Miscellaneous

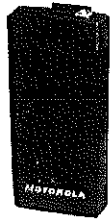
PART NO	FIG.	VOLTS	KIT NO.	DIMENSIONS	COMMENTS
60-82104C01	G	1.5	NLN-6143A	2.812" x 2.625" x 2.625"	
60-82455G01	H	1.5	NLN-6020A	2.263" x 1.343"	Heavy Duty Industrial "D" cell
60-847252	I	67.5	NU-125	2 $\frac{5}{8}$ " x 1 $\frac{1}{4}$ " x 2 $\frac{1}{4}$ "	
60-852117	J	67.5		3.718" x 2.812" x 1.375"	
60-824626	K	30.0	TU-106	2.562" x 1.031" x .825"	
60-82145C01	L	45.0	NLN-6144A	4.062" x 3.00" x 2.312"	
60-82282C01	M	9		1.906" x 1.03" x .687"	



Battery Cross Reference



<p>MT 500 NLN-4462 Use 60-05737E01 NLN-4463 Use 60-05742E01 60-05737E01 Nickel cadmium dual charge, slimline housing. (replaces NLN-4462) 60-05742E01 Nickel cadmium dual charge, omni housing. (replaces NLN-4463)</p> <p>MX 300 NLN-8833A Use 60-5222C03 NLN-8834B Use 60-5201E01 NLN-8835B Use 60-5201E02 NLN-4002B Use 60-5201E03 NLN-8840* Use 60-05452E01* NLN-8841* Use 60-05452E02* NLN-8832 Use 60-05463F01 60-5222C03 Nickel cadmium ultra high capacity, charge time 7/14HRS. (replaces NLN-8833A) 60-5201E01 Nickel cadmium medium capacity, charge time 1HR. (replaces NLN-8834B) 60-5201E02 Nickel cadmium high capacity, charge time 1HR. (replaces NLN-8835B) 60-5224C03 Nickel cadmium light capacity, charge time 1HR. (replaces NLN-4002B and 60-5201E03) 60-05452E01* Nickel cadmium medium capacity, charge time 1 hr. (replaces NLN-8840*) 60-05452E02* Nickel cadmium high capacity, charge time 1 hr. (replaces NLN-8841*) 60-05463F01 Nickel cadmium high capacity, charge time 7/14 hrs. (replaces NLN-8832).</p> <p>*MESA approved models</p> <p>HT 220 NLN-6682A Use 60-84643H01 NLN-6683A Use 60-83582H01 NLN-6761A Use 60-84642H01 NLN-6762A Use 60-84342H01 NLN-6899A Use 60-84641H01 NLN-6900A Use 60-84636H01 NLN-6936A Use 60-84815H01 NLN-8232A Use 60-5295A03 60-5295A03 Nickel cadmium (rapid-charge, omni-housing) for "intrinsically" safe radios. (replaces NLN-8232A) 60-83582H01 Mercury (slimline housing) (replaces NLN-6683A) 60-84342H01 Mercury (omni-housing, low power) (replaces NLN-6762A) 60-84636H01 Nickel cadmium (rapid-charge omni-housing) (replaces NLN-6900A) 60-84641H01 Nickel cadmium (rapid-charge slimline) (replaces NLN-6899A) 60-84642H01 Nickel cadmium (standard charge, omni-housing) (replaces NLN-6761A)</p>	<p>60-84643H01 Nickel cadmium (standard charge slimline) (replaces NLN-6682A) 60-84815H01 Mercury (omni-housing, high power) (replaces NLN-6936A)</p> <p>HT 100 NLN-6781B Use 60-84184H02 60-84184H02 Nickel cadmium (replaces NLN-6781B)</p> <p>HT 200 NLN-6238A Use 60-84735H01 NLN-6239A Use 60-82668D01 NLN-6547A Use 60-83075E01 NLN-6607A Use 60-83893C01 60-82668D01 Mercury (replaces NLN-6239A) 60-83075E01 Mercury for hazardous duty radios (replaces NLN-6547A) Alkaline 18V 60-83624C01 Nickel cadmium for use in hazardous duty radios. Note, radio not "intrinsically" safe with this battery. (replaces NLN-6607A) 60-83893E01 Nickel cadmium (replaces NLN-6238A)</p> <p>HANDIE-COM Radio NLN-8002A Use 60-82324J01 NLN-8095A Use 60-82325J01 NLN-8096A Use 60-82387J01 NLN-8104A Use 60-84306A65 (order 10) NLN-8105A Use 60-82389J01 NLN-8106A Holder for 10 "AA" cells (NLN-8104A; NLN-8105A) NLN-8470A Use 60-83062J01 60-82324J01 Nickel cadmium standard charge, replaces NLN-8002A 60-82325J01 Mercury (sealed package) replaces NLN-8095A 60-84306A65 Mercury "AA" (replaces 60-82357J01, NLN-8104A, and NLN-8277A) (order 10) 60-82387J01 Nickel cadmium rapid charge, replaces NLN-8096A 60-82389J01 Alkaline "AA" (replaces NLN-8105A) (pack of 10) 60-83062J01 Alkaline (sealed package) replaces NLN-8470A</p> <p>PT SERIES NLN-6267A Nickel cadmium battery for NPN-1007A and .NPN-6031A PT 200/300 power packs 11 industrial D cells 22 industrial D cells NLN-6310A Use 60-83420D01 NLN-6406A Nickel cadmium standard charge (2 positive, 1 negative socket) for NPN-1006A and NPN-6038A PT400 power packs (replaces NLN-6408A) NLN-6408A Nickel cadmium for PT400 power packs, cold temperature version, standard charge. 60-83420D01 60-82356F01</p>	<p>PAGEBOY II & METRO-PAGEBOY Pagers (A01, A03, A04 CAC) (A03 DNC) (A03, A04 FNC) (A01, A03 MAC) (A01, A03 MEC) (A01, A03 TEC) NLN-6199A Use 60-5633A01 NLN-6965A Use 60-5104A01 NLN-8276A Adapter kit to convert tone only Pageboy II to nickel cadmium operation. Consists of 60-5104A01 and 1-5953A16 adapter NLN-8277A Use 60-84306A65 NLN-8278A Use 60-5310A01 NLN-8519A Adapter only for NLN-8276A alternate number 1-5953A16 60-5104A01 Nickel cadmium (tone and voice) (replaces NLN-6965A) 60-5310A01 Alkaline "AA" (tone only) (replaces NLN-8278A) 60-5633A01 Mercury (tone and voice) (replaces NLN-6199A) 60-84306A65 Mercury "AA" (tone only) (replaces NLN-8277A) NEN-6034A Box of 24 60-5633A01 mercury batteries for tone and voice.</p> <p>PAGEBOY I Pager NLN-6430A Use 60-868967 NLN-6431A Use 60-83009H02 NLN-6811A Use 60-83778H03 60-868967 Mercury 4.0V 60-868968 Mercury 2.5V (VHF tone only) 60-83009H01 Nickel cadmium 2.5V (VHF tone only) 60-83009H02 Nickel cadmium 3.75V (VHF tone and voice) 60-83778H02 Nickel cadmium 2.5V (VHF tone only—U.L. listed) 60-83778H03 Nickel cadmium 3.75V (VHF tone and voice—U.L. listed)</p> <p>PAGECOM (A01, A03, A04 EAC) DIMENSION IV (A01, A03, A04 DVC) DIRECTOR (A01, A03, A04 GBC) MINITOR (H01, H03, H04 EAB) SPIRIT (A01, A03, A04 JVC) NEN-6034A Kit of 24 mercury batteries 60-5633A01 NLN-6199A Use 60-5633A01 NLN-6965A Use 60-5104A01 60-5104A01 Nickel cadmium (replaces NLN-6965A) 60-5633A01 Mercury (replaces NLN-6199A)</p> <p>METRX (A01, A03, A04 AGC) NLN-8278A Use 60-5310A01 60-5310A01 Alkaline "AA" (replaces NLN-8278A)</p>
--	---	--



A



B



Lapel Speakers and Ear Pieces

LOW FREQUENCY PAGER REPLACEMENT PARTS AND KITS

Replacement Housings & Parts

- Housing Kit—(Fig. A) Clip-on cover complete—NHN6185A
- Housing Kit—(Fig. B) Clip-on housing complete—NHN6186A
- Riveted housing assembly for Fig. B or Fig. C.—1-80717A48
- Housing and clip assembly for Fig. C.—1-80717A50
- Cover and Clip 1V80717A47 for Fig. B
- Cover only 15C82945C01 for Fig. B or Fig. C
- Clip only 42B83644E03
- Clip spring 41A82948C01
- Pin, clip 22B82395B07
- Push Button 38B82950C01
- Battery Retainer 01-80790A82 (Replaces 38-82943C01)

PART NO.	DESCRIPTION
50-865340	Speaker for NSN 6000B & NSN 6003A.
50-82320C01	Speaker for NSN 6005A.
30-82203A01	Cable & plug for NSN 6003A & NSN 6005A.
30-82533J01	Cable & plug for NSN-6008A. Replaces 30-82580D02.
NSN 6006A	Lapel Speaker with cord for current L.F. Pager
NSN 6002A	Lapel Speaker with cord for early models L.F. Pager
50-82202A03	Ear Piece with cord for current L.F. Pager (replaces NSN-6007A)
30B82203A01	Cable and Plug for NSN 6002A
50C82419C01	Lapel Speaker for NSN 6002A
30-82533J01	Cable and Plug for NSN 6006A (Replaces 30-82580D02)
50C82139D01	Lapel Speaker for NSN 6006A
50-864045	Earpiece only for NSN 6001A & NSN 6004A.
42-850709	Ear clip only for NSN 6001A & NSN 6004A.
50-82202A02	Cable & volume control for NSN 6004A.

POCKET RECEIVER REPLACEMENT HOUSINGS AND COVERS

H01 & H03 ANC 1000A, 1100A

PART NO.	DESCRIPTION
1V 865173	Housing, front
1V 80708A43	Hinged cover & clip
1V 80708A44	Hinged cover less clip



H01 & H03 ANC 1000B; 1102B, 1000C, 1002B

PART NO.	DESCRIPTION
1V 80700A08	Housing, front
1V 80700A09	Hinged cover & clip
1V 80700A10	Hinged cover less clip

H01 & H03 ANC 1000AQ, 1100AQ, 1002AQ, 1102AQ

PART NO.	DESCRIPTION
1V 80700A02	Housing, front
1V 80700A04	Hinged cover & clip
1V 80700A05	Hinged cover less clip



Batteries



4 Volt mercury battery for earlier versions of low frequency pager receiver. Order 60K868967

Kit of 10 Ea. 4 volt battery. Order Kit #NK149

1.4 volt mercury battery (Duracell type 9R81) for low frequency pager consists of 1 battery. Order 60-82168J01

Kit of 20, 1.4 Volt mercury batteries. Order Kit #NEN6034A

1.5 volt carbon zinc battery kit consists of 1 battery type 904 or NE or 716 (Replaces NEN-6030A). Order 60-855262

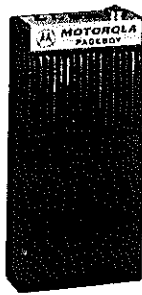
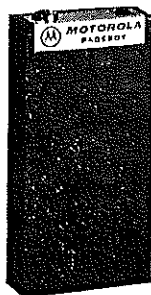
Kits for HOODNC Series Receiver

NHN-6185A	Housing (back clip)	NAA-6025A	Antenna 60 kHz
NHN-6186A	Housing (front clip)	NAA-6026A	Ant. 70.875 kHz
NHN-6187A	Housing (back clip, hosp.)	NAA-6027A	Ant. 100 kHz
		NAA-6028A	Ant. 102.375 kHz
NHN-6188A	Housing (back clip for 149-625 kHz models)	NAA-6030A	Ant. 149.625 kHz
		60-82936C01	Mercury bat.

Charger Cross Reference Chart

CHARGER	SLOTS	RADIO TYPE	BATTERY TYPE	CHARGE BATTERY IN UNIT	CHARGE BATTERY ONLY	COMMENTS
NLN-1146A	1	CAC, DNC, FNC, MAC, TEC	NLN-8276A	Yes	Yes	Gen. Tel. Escutcheon
NLN-1147A	1	CAC, DNC, FNC, MAC, TEC	NLN-8276A	Yes	Yes	Motorola Escutcheon
NLN-1148A	1	CAC, DNC, FNC, MAC, TEC	NLN-8276A	Yes	Yes	Bell Escutcheon
NLN-8584A	1	CAC, DNC, FNC, MAC, TEC	NLN-8276A	Yes	Yes	Motorola Escutcheon (220V)
NLN-8585A	4	DNC, FNC, MAC, TEC	NLN-8276A	Yes	Yes	Multi Unit (Master)
NLN-8586A	6	CAC, DNC, FNC, TEC	NLN-8276A	Yes	Yes	Multi Unit (Aux.)
NLN-8587A	1	DNC, MAC	NLN-8276A	Yes	No	Vehicular

PAGEBOY I Pagers



ELECTRICAL COMPONENTS

PART NO.	DESCRIPTION	USED ON MODEL *
NLN-6763A	Assem. Battery Retainer Replaces 1-80746A1	(* #1, #1A, #2, #3, #4)
1V80748A64	Assem. Battery Contact & Spring	(* #2, #4)
1V80757A41	Assem. Battery Contact & Spring	(* #1, #1A)
50C83154B01	Speaker	(* #2, #4)
50C83883A01	Speaker	(* #1, #1A, #3)
40C83270B01	Switch, Push	(* #2, #4)
40-83725H01	Switch, Push To Stop Replaces 40-83778A01	(* #1, #1A, #3)
40-83724H02	Switch, Slide On-Off	(* #1, #1A, #3)
9-82939C02	Jack, Micro (Replaces 9-82939C01)	(* #2, #4)

MISCELLANEOUS COMPONENTS

15A83776A01	Cover, Code Number	(* #1, #1A, #2, #3, #4)
54C83157B01	Card, Code Number	(* #1, #1A, #2, #3, #4)
38B83541C01	Push Button	(* #2, #4)
43B83151B01	Bushing, Button	(* #2, #4)
33B83855B01	Nameplate	(* #1, #1A, #2, #3, #4)
36B82942C01	Knob	(* #2, #4)
3A82864A03	Screw, Hex u/w Knob	(* #2, #4)
3S115043	Drive Screw u/w Clip	(* #1, #1A, #2, #3, #4)
22B82395B21	Pin u/w Clip	(* #1, #1A, #2, #3, #4)
41A83136C01	Spring u/w Pocket Clip	(* #1, #1A, #2, #3, #4)
75B82206D01	Rubber Insert u/w Clip	(* #1, #1A, #2, #4)

HOUSINGS AND COVERS

PART NO.	DESCRIPTION	USED ON MODEL *
1V80748A63	Assem. Housing w/Battery Sleeve	(* #2, #4)
1V80768A98	Assem. Housing Cover & Clip	(* #2, #4)
15-83476H03	Housing	(* #1, #1A, #3)
1-80788A99	Assem. Housing Cover Replaces 1-80746A59	(* #1, #1A)
1-80789A02	Assem. Housing Cover & Clip	(* #3)
1V80746A60	Assem. Reed Access Cover	(* #1, #1A)
1-80746A60	Assem. Reed Access Cover Replaces 1-80754A55	(* #3)

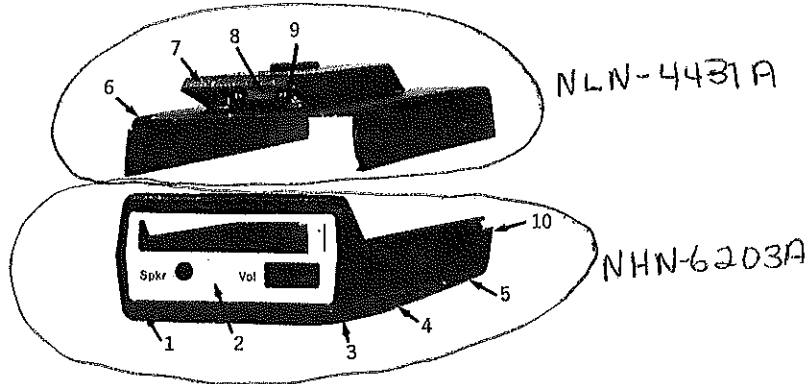
ESCUTCHEONS AND POCKET CLIPS

13B83034E01	Escutcheon-Bellboy	(* #1)
13-84232H02	Escutcheon-Pacific No. West Replaces 13-83035E01	(* #1)
13B83036E01	Escutcheon-Gen. Tel.	(* #1)
13B83037E01	Escutcheon-Pageboy	(* #1A, #3)
13B83143B01	Escutcheon-VHF Pager	(* #2, #4)
42C83644E01	Clip, Pocket-Bellboy-Pacific No. West	(* #1)
42C83644E03	Clip, Pocket-Pageboy-VHF Pager	(* #1A, #2, #3, #4)
42C83644E05	Clip, Pocket-Gen. Tel.	(* #1)
2A83767A01	Nut, u/w Push to Stop Switch	(* #1, #1A, #3)
3A83991D01	Screw, Cover	(* #1, #1A)
3A83990D01	Screw, Cover	(* #3)
3A83992D01	Screw, Cover	(* #2, #4)
4A83210C01	Washer, Retaining	(* #1, #1A, #3)
4S1793	Flat Washer u/w Clip	(* #1, #1A, #2, #3, #4)
4K840914	Washer, Spring	(* #2, #4)
4K840894	Washer E Spring	(* #4)
41A83333D01	Spring, Switch MTG.	(* #1, #1A, #3)
41A83156B01	Spring, Compression	(* #2, #4)
42A83495B01	Clamp, Cable	(* #2, #4)
7A83209C01	Bracket, Clamp	(* #1, #1A)
42A83918A01	Clamp, Cable	(* #3)
14A82392E01	Insulator, Cover	(* #1, #1A, #2, #3, #4)

*USED ON HOUSING NO. MODEL

#1-NHN6131BL & BH	N1010, 11 A & AV Series-Bellboy
#1A-NHN6131A	N1074, 75 A & AV Series-Pageboy
#2-NHN6144A	H03 BNC 1000 AQ & BQ Series-VHF Pager
#3-NHN6146A	N1070, 71, 72, 73, 80, 81, 82, 83 A & AV Series-Pageboy
#4-NHN6157A	H03 BNC 1104, 5, 6, 7 AQ Series-VHF Pager

PAGECOM, SPIRIT, DIRECTOR, MINITOR Pagers



PAGECOM Pager A03EAC, A04EAC, A01EAC

REF. NO.	PART NUMBER	DESCRIPTION
1	15-82867J03	Housing (tone only, & tone & voice)
2	13-82869J01	Escutcheon (tone & voice)
	13-82976J02	Escutcheon (tone only)
3	54-865436	Label, FCC
4	13-868710	Decal, patent No.
5	33-82943J01	Name plate
6	15-82868J03	Cover housing (NLN8249B)
7	01-80706C32	Clip assembly (not repairable)
8	22-10133A15	Roll, Pin (UHF)
	22-10133A21	Roll Pin (VHF)
9	41-82974J01	Spring, Clip
10	45-83042J01	Lock, Cam
11*	07-82886J01	Xtal support; silastic
12*	07-82885J01	Reed support; silastic

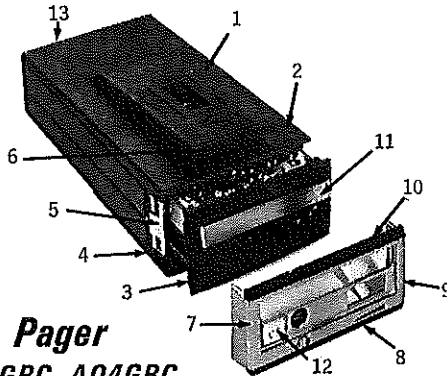
*Not shown

SPIRIT Pager A01JVC, A03JVC, A04JVC

REF. NO.	PART NUMBER	DESCRIPTION
1	NLN-4934A	Top cover
2	NHN-6288A	Housing Shadow Bronze
3	NLN-4938A	Name plate Shadow Bronze
4*	NLN-5010A	FCC Data label, low band
	NLN-5011A	FCC Data label, high band
	NLN-5012A	FCC Data label, UHF band
5*	42-05950D01	Belt Clip
6*	41-82974J01	Spring, Clip
7*	22-10133A21	Pin, Clip

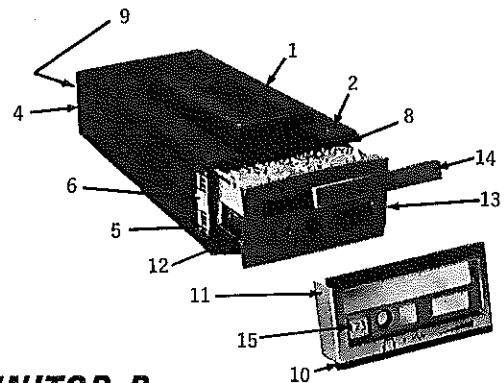
*Not shown

DIRECTOR Pager A03GBC, A01GBC, A04GBC

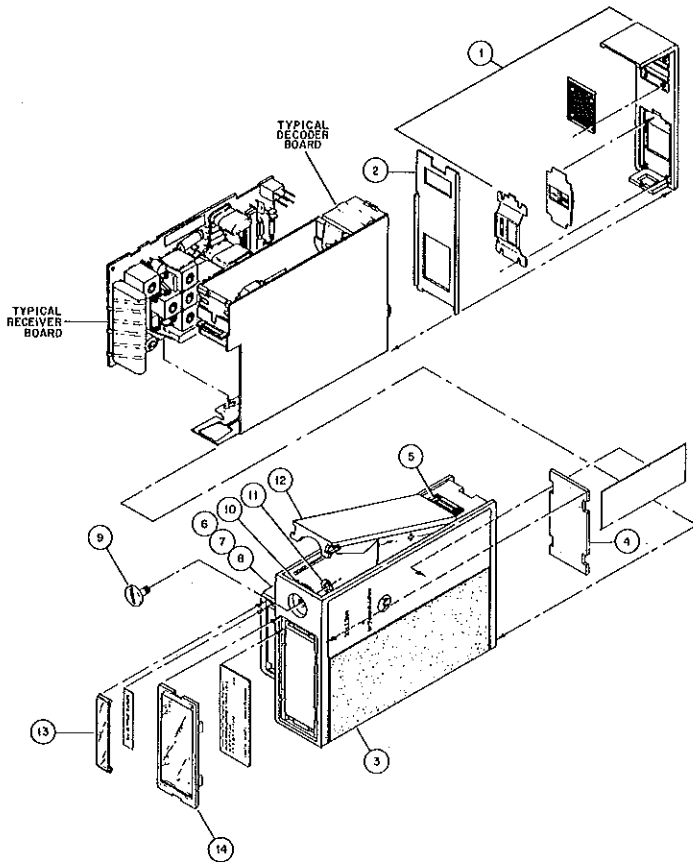


REF. NO.	PART NUMBER	DESCRIPTION
1	01-5956C99	Clip, bronze
	01-5957C02	Clip, Red
	01-5957C01	Clip, White
2	15-5378D01	Housing, rcvr, bronze
	15-5378D05	Housing, rcvr, red
	15-5378D03	Housing, rcvr, white
3	32-5365D02	Gasket, bottom
4	33-5373D04	Nameplate, bronze
	33-5373D06	Nameplate, Red
	33-5373D05	Nameplate, White
5	41-5372D01	Spring latch (2 required)
6	41-82974J01	Spring
7	15-5369D01	Cover, housing
8	07-5370D01	Frame, bronze
	07-5370D03	Frame, Red
	07-5370D02	Frame, White
9	26-5543D01	Shield, antenna
10	32-5368D01	Gasket, top
11	38-5367D01	Cap, touch bar
12	61-5371D01	Lens cap
13	NLN-4043A	Battery compartment, bronze
	NLN-4076A	Battery compartment, red
	NLN-4165A	Battery compartment, white

MINITOR Pager H01EAB, H03EAB, H04EAB

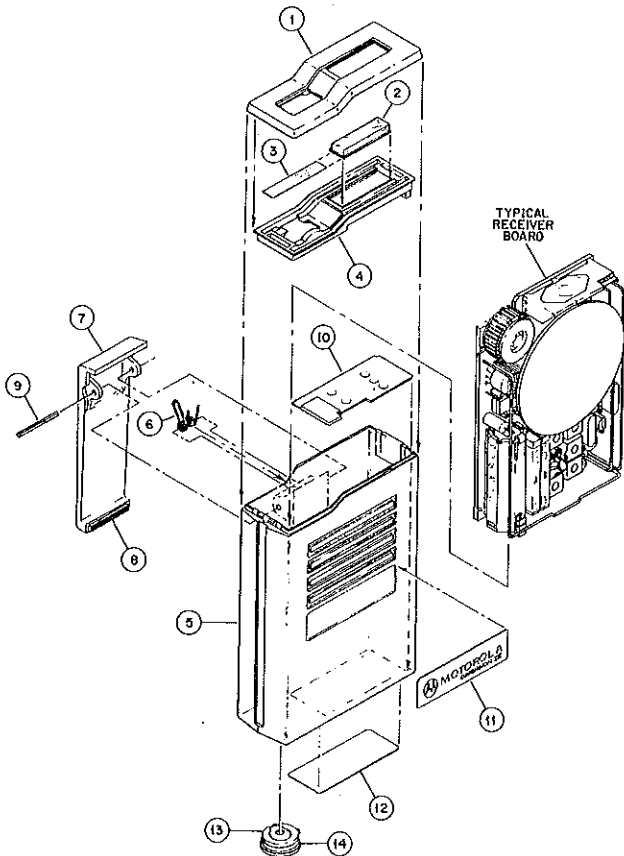


REF. NO.	PART NUMBER	DESCRIPTION
1	01-5956C99	Clip, bronze
	01-5957C02	Clip, Red
	01-5957C01	Clip, White
2	15-5378D01	Housing, bronze
	15-5378D05	Housing, Red
	15-5378D03	Housing, White
3	22-10133A21	Pin, Pivot
4	32-5365D02	Gasket, bottom
5	33-5373D01	Nameplate, Shadow Bronze
	33-5373D03	Nameplate, Red
	33-5373D02	Nameplate, White
6	41-5372D01	Spring latch (2 required)
7	41-82974J01	Spring
8	54-865436	Label FCC
9	NLN-4043A	Battery Compartment SB
	NLN-4165A	Battery Housing, White
	NLN-4076A	Battery Housing, Red
10	07-5370D01	Frame, Shadow bronze
	07-5370D03	Frame, Red
	07-5370D02	Frame, White
11	15-5369D01	Cover Housing Carrier Squelch
	15-5369D02	Cover Housing P.L.
12	26-5543D01	Antenna Shield
13	32-5368D01	Gasket
14	38-5367D01	Cap touch bar
15	61-5371D01	Lens Cap code



METRX Pager A04AGC, A03AGC, A01AGC

REF. NO.	PART NUMBER	DESCRIPTION
1	NLN4147A	Escutcheon & Frame, contains: Cover Control Knob, Knob Support Grill & 32-5872D01
2	32-5872D01	Gasket, Cover
3	15-5876D01	Housing, Shadow bronze
	15-5876D02	Housing, White
	15-5876D03	Housing, Brown
	15-5876D04	Housing, Blue
4	75-5846D01	Pad, resilient
5	42-5852D01	Retainer, hinge
6	42-5905D01	Clip, belt
7	41-82974J01	Spring, clip
8	22-10133A21	Pin, clip
9	36-5897D01	Knob, release
10	55-5898D01	Latch, release
11	42-10219A49	Ring, retainer
12	01-5953C81	Assembly, battery access cover
13	61-5918D01	Lens, code number
14	61-5840D01	Lens, nameplate



DIMENSION IV Pager A01DVC, A03DVC, A04DVC

REF. NO.	PART NUMBER	DESCRIPTION
1	15-5403E01	Cover
2	36-5416E01	Bar, reset
3	54-5495E01	Label, cap code (black background)
	54-5495E02	Label, cap code (white background)
4	75-5462E01	Gasket, seal
5	01-5957C29	Assembly, housing bronze
	01-5957C43	Assembly, housing red
	01-5957C44	Assembly, housing white
6	41-5120A03	Spring
7	42-5405E01	Clip
8	75-82206D01	Pad, clip
9	22-82591C14	Pin, roll
10	75-5460E01	Pad, bottom shock
11	33-5497E01	Nameplate, bronze
	33-5497E02	Nameplate, red
	33-5497E03	Nameplate, white
12	33-5496E01	Label (Low band)
	33-5496E02	Label (High band VHF)
	33-5496E03	Label (High band UHF)
13	NLN-4512A	Retainer, battery button
14	32-5492E01	Ring, "O" (p/o NLN4512A)

Pager Chargers

Parts Lists

Pager Chargers	Housing & Contact																																			
	01-5954026	01-5957024	01-80706033	01-5952059	01-5952057	01-5955050	Escutcheon	33-8294302	64-5585001	33-8249301	Charger Housing	15-8297802	15-8297801	15-8301601	15-8301701	15-5583002	15-8301703	15-5584002	15-8301704	15-8301702	Power Cord	30-5284A02	30-8249404	01-5953A82	Base Plate	64-8297902	64-8307501	64-8297901	64-5703002	Fuse	65-802392	Fuse Receptacle	9-8208302	31-824974		
NLN-4142A			X					X							X		X					X	X							X						
NLN-4143A			X					X									X						X	X							X					
NLN-4252A				X													X						X	X									X			X
NLN-4253A				X											X		X						X	X									X			X
NLN-4412A					X		X				X												X	X			X									
NLN-4413A					X		X				X				X								X	X			X									
NLN-4508A		X					X				X												X	X			X									
NLN-4508B	X						X				X												X	X			X									
NLN-4509A		X					X				X												X	X			X									
NLN-4509B	X						X				X				X								X	X			X									
NLN-4510A		X										X			X																	X			X	
NLN-4510B	X											X							X																	
NLN-4511A		X										X													X		X									
NLN-8252A			X					X			X			X									X	X					X							
NLN-8411A			X					X			X												X	X				X								
NLN-8412A			X									X	X															X					X			X
NLN-8413A			X									X							X						X		X									

CHARGER	SLOTS	RADIO TYPE	BATT. TYPE	CHARGE BATT. IN RADIO	CHARGE BATT. ONLY	COMMENTS
NLN-4508A	1	Dimension IV	60-5104A01	Yes	Yes	117V
NLN-4509A	1	Dimension IV	60-5104A01	Yes	Yes	230V
NLN-4510A	5	Dimension IV	60-5104A01	Yes	Yes	Master
NLN-4512A	6	Dimension IV	60-5104A01	Yes	Yes	Slave
NLN-8252A	1	Pagecom	60-5104A01	Yes	Yes	117V
NLN-8411A	1	Pagecom Director, Minitor	60-5104A01	Yes	Yes	230V
NLN-8412A	5	Pagecom Director, Minitor	60-5104A01	Yes	Yes	Master
NLN-8413A	6	Pagecom	60-5104A01	Yes	Yes	Slave
NLN-4142A	1	Minitor	60-5104A01	Yes	Yes	117V*
NLN-4143A	1	Minitor	60-5104A01	Yes	Yes	234V*
NLN-4252A	1	Minitor	60-5104A01	Yes	Yes (+Amp)	117V*
NLN-4253A	1	Minitor	60-5104A01	Yes	Yes (+Amp)	234V*
NLN-4412A	1	Director	60-5104A01	Yes	Yes	117V
NLN-4413A	1	Director	60-5104A01	Yes	Yes	220V
NLN-4508B	1	Dimension IV Spirit	60-5104A01 60-5104A01	Yes Yes	Yes Yes	117V
NLN-4509B	1	Dimension IV Spirit	60-5104A01 60-5104A01	Yes Yes	Yes Yes	230V
NLN-4510B	5	Dimension IV Spirit	60-5104A01 60-5104A01	Yes Yes	Yes Yes	Master
NLN-4511B	6	Dimension IV Spirit	60-5104A01 60-5104A01	Yes Yes	Yes Yes	Slave

*Requires Freq. for antenna selection
 NAB-6191A 30-42 MHz or
 NAD-6310A 132-512 MHz

BASIC MODEL NUMBERS
V30000 Central Control Unit
with Keyboard
V20003A Master Monitor 23"
V60000A Floppy Disc Drive
V20002A Video Monitor 23"

Manuals

PART NUMBER	DESCRIPTION
68-20903A03	Maintenance
68-20903A04	Schematic Diagrams
68-20903A05	Operator Manual
68-25253A22	CCU Monitor, XM353-42
68-65130A70	Master Monitor, and Slave Monitor XM705-20
68-81105E88	Basic Logic Ckt. Guide
68-65130A74	Solid State Monitor Technical Repair Manual
68-81018E20	Visual Communications Reference Handbook

Capacitors

23-10255B77	C6 A/B 15000 @ 15V + 4000 @ 20V
23-10255B78	C7 15000 @ 15V
23-10255B79	C8 5000 @ 20V
8-10709A01	C10 3.5 @ 440V AC

CRT's (Picture Tubes)

9 inch 96-208A01 (S1252)	23 inch 96-10848A01 (S1270)
14 inch 96-219A01 (S1244)	12 inch 96-234A01 (CCU)

Diodes

48-137666	BRI (Silicon Module)
-----------	----------------------

Transistors

48-137634	Q4, Q5 Regulator (7634)
48-137531	SCR1—Thyristor (WIW)

Resistors

40-10797A04	ON/OFF, SPDT
17-10744A04	R-17, R18 .15%, 7 Watt WW

Battery

60-20894A03	4.8V @ 2 amp, Ni-Cad
-------------	----------------------

MECHANICAL PARTS

13-20820A01	Bezel, Front Panel
59-20866A01	Fan, Cooling
15-10183A82	Housing, Connector—Female; 3 Contact (Less contacts) J1
39-10184A63	Contacts, for 15-10183A82, 3 Req.
15-10183A73	J2, Housing Connector Female, 2 Contact (less contacts)
39-10184A63	Contacts, Male, for 15-10183A73, 2 Req.
15-10183A69	J3, Housing Connector Female, 12 Contact (less contacts)
39-10184A63	Contacts, Male, for 15-10183A69, 7 Req.
15-10183A78	J4, Housing Connector Female, 6 Contact (less contacts)
39-10184A63	Contacts, Male, for 15-10183A78, 2 Req.
15-10183A76	J5 & J6, Housing Connector Female, 4 Contact (less contacts)
39-10184A63	Contacts, Male, for 15-10183A76, 2 Req. for J5, 4 Req. for J6
15-10390A02	J7 & J8 Housing Connector—Edge; 18 Contact
39-10184A22	Contact, fork; 11 Req. for 15-10390A02; 12 Req. for 15-10390A02

MECHANICAL PARTS

PART NUMBER	DESCRIPTION
15-10183A83	J9; Housing Connector Female, 3 Contact (less contacts) SCR1
39-10184A59	Contact, Female, for 15-10183A83, 3 Req.
15-10183A67	Housing Connector Female, 1 Contact (less contacts), 7 Req. for Motherboard
39-10184A60	Contact, Female, Spade for 15-10183A67
15-10183A81	P1, Housing Connector Male, 3 Contact (less contacts)
39-10184A64	Contact, Female, 3 Req. for 15-10183A81
15-10183A74	P2, Housing Connector Plug; 3 Contact (less contacts)
39-10184A64	Contact, Receptacle; 3 Req. for 15-10183A74
15-10183A70	P3, Housing Connector Plug; 12 Contact (less contacts)
39-10184A64	Contact, Receptacle; 7 Req. for 39-10184A70
15-10183A77	P4; Housing Connector Plug; 6 Contact (less contacts)
39-10184A64	Contact, Receptacle; 2 Req. for 15-10183A77
15-10183A75	P5, P6, Housing, Connector Plug; 4 Contact (less contacts)
39-10184A64	Contact, Receptacle; 2 Req. for 15-10183A75; 4 Req. for 15-10183A75
14-562353	Insulator, Transistor Q4 & Q5
14-10550A02	Insulator, Transistor Q4 & Q5
30-10558A04	Line Cord & Plug; 6 ft. 3 Conductor
65-10081A14	Neon lamp: 1/4 Watt
9-10783A01	Receptacle, fuse F1 & F2
9-10548A02	Fuse Socket; F101, F102, F103, F104
15-20833A01	FAN Shroud
9-63825A02	Transistor Socket, Q4, Q5
42-25204A01	Spring, PC Support

PARTS FOR OPERATOR KEYBOARD

1-20950A53	Key BD Special Function
------------	-------------------------

Key Tops

38-20885A01	Del Char
38-20885A02	Del Page
38-20885A03	Del Line
38-20885A04	Ins Char
38-20885A05	Ins. Line
38-20885A06	Home
38-20885A08	Arrow
38-20885A09	Tab
38-20885A10	Load
38-20885A11	Xmit

MECHANICAL PARTS—KEY TOPS

38-20885A12	Write
38-20885A13	Store
38-20885A14	Sort
38-20885A15	Read
38-20885A16	Set Prot
38-20885A17	Set Blink
38-20885A18	Roll up
38-20885A19	Clear Prot.
38-20885A20	Reset Blink
38-20885A21	Roll Down
38-20885A22	Set Tab

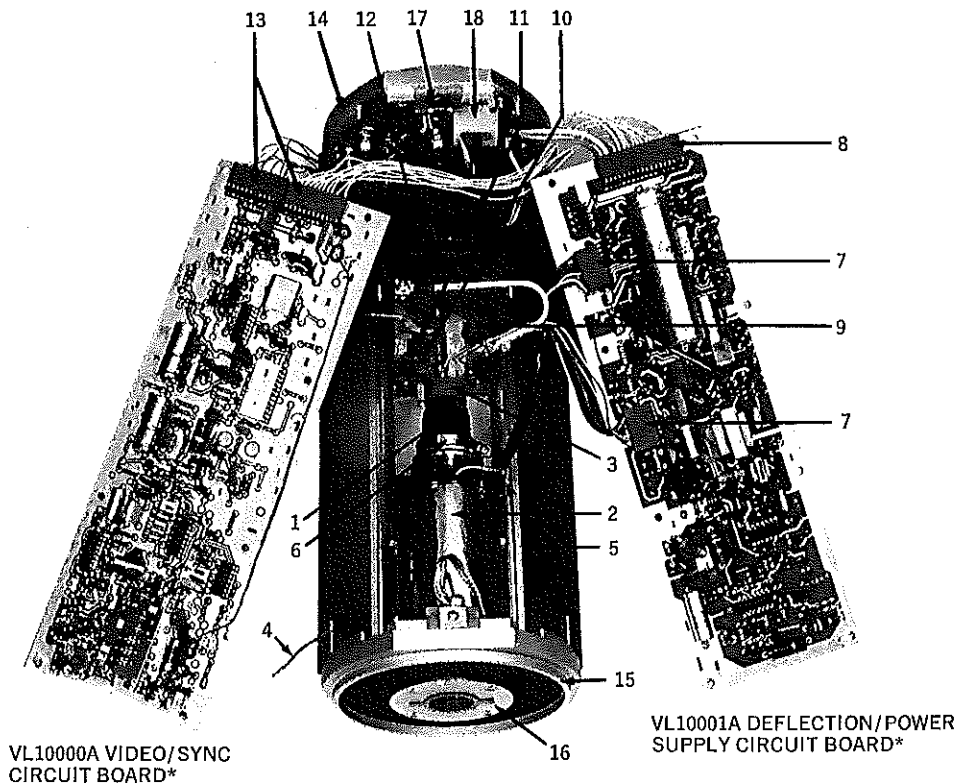
40-20883A01 Switch Key (CCU)

1-120881A01	Main keyboard, Alpha Numeric, Complete with Key tops
1-20950A52	Logic Panel, Key BD; Complete
1-20950A53	Key BD, Spec. Function. 24 Keys; Complete w/ckt. card
1-20950A62	Cable & Receptacle; 16 Contact (interconnect special function, key brd. to logic pnl.)
1-20950A63	Cable & Receptacle; 20 Contact (interconnect main key brd. to logic CRT Card)
13-20812A01	Trim Rear Panel
15-20813A01	Cover Key BD Top
15-20814A01	Cover Key BD Base
75-10606A08	Foot, Rubber Black



Visual Communications Systems Cameras

MOCAM Cameras V10001A, V10002, V10003A



*BOARD MAY BE ORDERED AS A COMPLETE UNIT

REF. NO.	PART NO.	DESCRIPTION
1	97-37001A01	Vidicon Tube, separate mesh, VL10003A (V10001 Camera)
	97-84871E01	Vidicon Tube, sil diode array SLN-6350A (V10002 Camera)
	97-30045A01	Vidicon Tube, hetero junction VL10004 (V10003 Camera)
2	1-34000A13	Deflation Yolk Assembly; contains L1, L1A, L1B, L1C
3	9-82748F01	Tube Socket
4	39-10061A14	Connector, target lead
5	1-34000A10	Housing, camera bottom
6	7-30061A02	Bracket, rear
7	15-10183B17	Housing, connector (J5 & J6) less contacts
8	15-10183B20	Housing, connector (J4) less contacts
9	21-82428B41	Disc Cap (C1 & C2) .01 mfd 1KV
10	48-00137311	Transistor, Q1
11	15-10183A83	Housing Recept, 3 Contact
12	25-25239A25	Transformer, (T1) (117V 50-60 MHz)
	25-25239A27	Transformer (T1) (220-240V 50-60 Hz)
13	15-10183B18	Housing, connector (J2 & J3)
14	15-30054A03	Housing, rear
15	15-30054A02	Housing, front
16	38-82363F01	Lens Button
17	2-82360B15	Nut Speed (clip on)
18	15-10630A02	Switch Cover

Non-Referenced Items

PART NO.	DESCRIPTION
15-30063A01	Top Cover
1-34000A11	Yoke Bracket Assembly (front)
39-10184A59	Female Connector (used in J2-6 order number required)
30-83212F01	AC Power Cable (3 prong plug)
65-021975	Fuse, .5 amp 250V, 3AG (117V operation)
65-802992	Fuse, .25 amp 250V (220-240V operation)
65-898635	Fuse, .75 amp (22-28V DC operation)
9-82083C01	Fuse Holder
5-10277A21	Grommet, power input cable
9-37000A26	Phono, jack miniature (J9)
5-10277A21	Grommet, plastic
48-88245C01	Led on-off
9-10549A04	Receptacle (jack BNC) (J7, J10, J11)
9-10549A01	Receptacle (jack UHF) (J8)
40-10624A12	Switch, slide (DPDT) power on-off
33-30089A01	Nameplate Logo (2 used)
33-30095A01	Nameplate, serial number
43-10392A09	Insert for 7-30061A02, bracket
9-83445D01	Contact, recept for 15-10183A83, housing recept (3 req'd)
1-34000A14	Rear Bracket and insert

Visual Communications Systems Monitors



Parts Lists

SCREEN SIZE	MODEL	FUSES	CRT's (PICTURE TUBES)	HIGH VOLTAGE RECTIFIERS	HIGH VOLTAGE TRANSFORMERS	POWER TRANSFORMERS	HORIZONTAL OUTPUT TRANSFORMERS	DEFLECTION YOLK	SWITCHES	SERVICE MANUALS
23"	V20002A	(F1 & F2) 65-139424	96-10848A01	48-137114	24-25240B07	25-68164A31	25-67440A03	24-68523A15	40-10624A01 (SW1)	68-65130A70
14"	S1102C S1101C &	(F1) 65-804908	—14WP4	—3A2 (95-143A01)	24-754364 (T1)	25-82921C01 (T2)	24-754364 (T1)	24-743765	(S1) 40-843805 (S01) 40-482097	68-81036A15
27"	S1127A	(F1) 65-834465 (F2) 65-890033	—27AGP4 NLA See instruction sheet 68-84255C42	95-313A01 (—3AW3)	24-83946B01	24-82910E01	24-83946B01	24-82950E01	(S1 & S2) 40-11589 (S3) 40-85655	68-81016A60
19"	S1219A	(F1) 65-817955 (F2) 65-42092 (F3) 65-892099	PK762 (Contains 19EBP4 and misc. parts)	—3AT2 (V2)	(and Horiz out) 24-83600C02 (T3)	25-83619C01 (T2)	See HV Xmfr. (T3)	(assy) 01-80757A59 (Inc. L3 & L7)	(S1, S2, S4) 40-83608C01 (S3) 40-80246	68-81039A25
9"	(Early Version) S1242A & S1243A	(E804) 65-136038	—S74716E	48-137081	(& Horiz output) 24-69791A02	25-68499A03	See HV Xmfr.	24-68531A01	(Inc. R203) 18-67559A53 (S-100)	68-81104E51 68-65130A19
9"	(Later Versions) S1242A & S1243A	(E804) 65-136038	96-232A01 (9VADP4)	48-137484	24-25240A03	25-68499A03	See HV Xmfr.	24-68531A03	(Inc. R203) 18-67559A53 (S-100)	68-25253A06
14"	(Early Versions) S1244A & S1245A	(F800) 65-136588	96-219A01	48-137201	24-69791A06 use 24-25240B10	25-68164A15	25-67440A03 Use 25-25221A05	24-68523A08	(SW1 & SW2) 40-65513A18 (SW800) 40-66846A08	68-65130A45
14"	(Later Versions) S1244A & S1245A	(F800) 65-139424	96-219A01	48-137201	24-25240B10	25-68164A15	(Horiz. Drvr.) 25-25221A05 (T500)	24-68523A08	(SW1 & SW2) 40-10624A09 (SW800) 40-66846A08	68-25253A43
9"	(Early Versions) S1252A, 53A, 54A, 55A	(F800) 65-138269	96-208A01	48-137201	24-69791A05 (T501)	25-68164A14 (T800)	(Horiz. Drvr.) 25-67440A03 (T500)	24-68523A07	(SW1 & SW2) 40-65513A18 (SW800) 40-67517A01	68-65130A32
9"	(Later Versions) S1252A, 53A, 54A, 55A	(F800) 65-139424	96-208A01	48-137359	24-69791B10 (T501)	25-68164A14 (T800)	(Horiz. Drvr.) 25-25221A05 (T500)	24-68523A07	(SW1 & SW2) 40-10624A03 (SW800) 40-25220A01	68-25252A42
12"	S1269A	(F1 & F2) 65-138592	96-233A01	48-137201	24-697911A09 (T2)	25-68164A17 (T4)	25-67440A03 (T1)	24-68523A13	(SW1) 40-10624A01 (SW2) 40-25220A02 (SW3) 40-65513A18	68-25253A05
12"	V30000W (IDS)	(F800) 65-136899	96-249A01	48-137201	24-69791A03	25-68164A10	(Horz. Drvr.) 25-67440A03 (T500)	24-10250A04	None	68-65130A23

Transistors Used on Monitors

MARKING NO.	PART NO.	MARKING NO.	PART NO.	MARKING NO.	PART NO.
A1C	48-134900	A8H	48-137317	4815	48-134815—Use 48-134910
A1M	48-134919	A8U	48-137344	4841	48-134841
A1S	48-137127	A8L	48-137325	4842	48-134842 or 48-134992
A1V	48-134933	A8W	48-137368	4872	48-134872
A2J	48-134952	B1E	48-137476	9336	48-869336
A2T	48-134970	B2L	48-137570	9337	48-869337
A3H	48-134995	B2N	48-137574	9338	48-869338
A3K	48-134997	B2V	48-137596	9339	48-869339
A5F	48-137093	P1G	48-134938	9340	48-869340
A5N	48-137108	P1J	48-134943	9359	48-869359
A5U	48-137115	P1R	48-134974	9408	48-869408
A5P	48-137109	P2E	48-137032		
A6G	48-137169	P2S	48-137127		
A6H	48-137171	P2W	48-137173		
A6J	48-137172	P2V	48-137168		
A6K	48-137174	P2Z	48-137178		
A8B	48-137300	P3J	48-137235		
A8G	48-137315	P4C	48-137324		

Note: For monitors used on computer terminals, TV games, etc. Contact Motorola Display Products, Parts & Service Dept.

Visual Communications Systems Cameras

Models S1160A, Random Interlace
S1161A, Locked Interlace
and S1162A, Locked Interlace Diode Array
S1163A, Hetero-Junction
S1164A, Separate Mesh

TOP COVER 15-82692F01

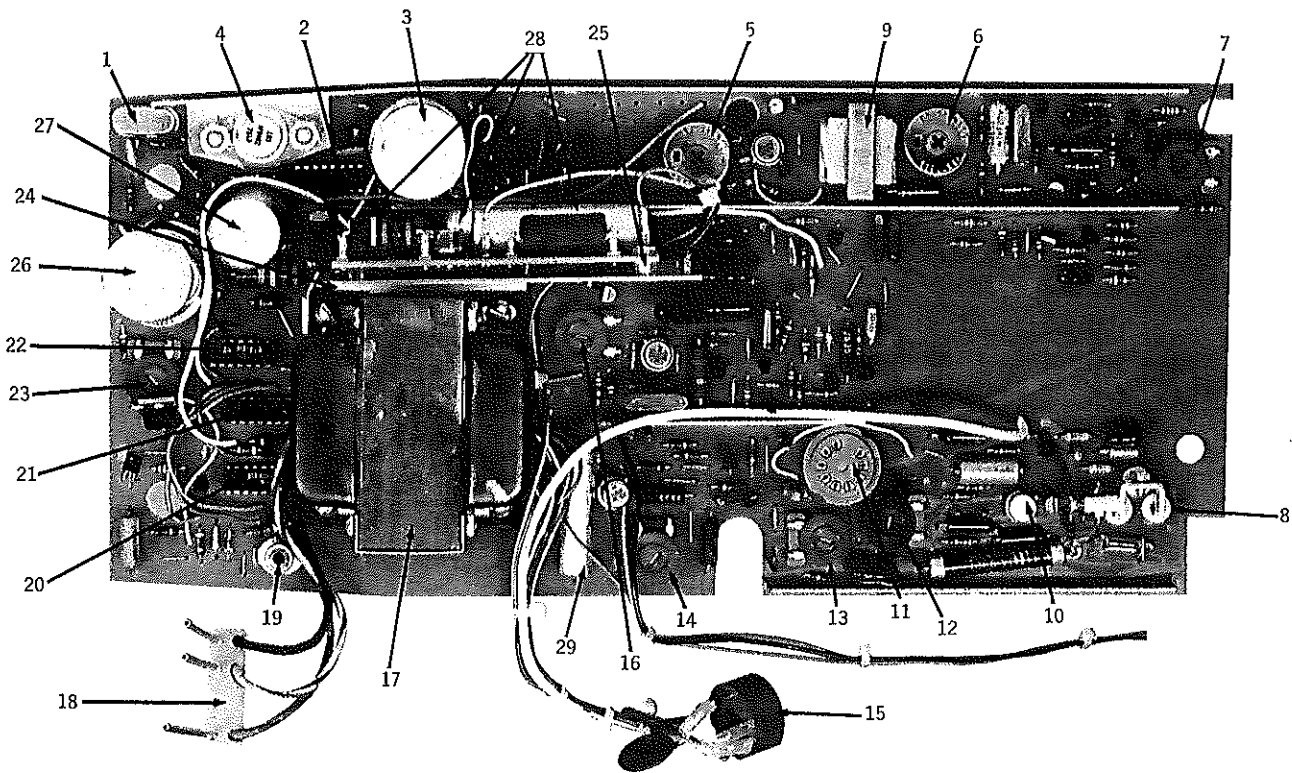
FRONT PANEL 64-82721F01 (S1160A, 61A)

FRONT PANEL 64-30034A01 (S1162A)



MODEL CHART—FOR REFERENCE ONLY

General Purpose CCTV Camera — Model Numbers												Camera Kit Complement		
Random Interlace			Locked Interlace				Locked Interlace (Diode Array)							
S1160A-BASIC 120V, 60Hz	S1160A-SP01 W/24V, Option	S1161A-SP02 W/Ext. Drive Input	S1160A-SP03 220V, 50Hz Option	S1161A-BASIC 120V, 60Hz	S1161A-SP01 W/24V Option	S1161A-SP03 220V, 50Hz Option	S1162A-BASIC 120V, 60Hz	S1162A-SP01 W/24V Option	S1162A-SP02 W/Ext. Drive Input	S1162A-SP03 220V, 50Hz Option	S1163A	S1164		
X	X		X	X	X	X	X	X	X	X		X	SHN6125B Housing	STANDARD KITS
		X							X				SHN6125B-SP02 Housing	
X	X	X	X	X	X	X					X		SLN6189B Chassis	
							X	X	X	X		X	SLN6614A Chassis	
X	X	X	X	X	X	X							SLN6191A Integral Mesh Vidicon	
							X	X	X	X			SLN6528B Diode Array Vidicon	
X	X												SLN6190B Camera Circuit Board	
		X											SLN6190B-SP02 Camera Circuit Board	
			X										SLN6190B-SP03 Camera Circuit Board	
				X	X							X	SLN6527B Camera Circuit Board	
						X							SLN6527B-SP03 Camera Circuit Board	
							X	X			X		SLN5612A Camera Circuit Board	
									X				SLN6612A-SP02 Camera Circuit Board	
										X			SLN6612A-SP03 Camera Circuit Board	
									X		X		SLN6526A AC Power Circuit Board	
X		X		X			X	X					SLN6526A-SP01 AC Power Circuit Board	
	X				X					X			SLN6526A-SP03 AC Power Circuit Board	
			X			X		X	X	X	X	X	SPN6112A REG. FIL. Power Sup. Circuit Board	
							X		X				WL10000A External Dr. Circuit Board	
		X									X	X	SLN6620A Power Transformer Bracket	
												X	SLN6619A Separate Mesh Vidicon Tube	
											X		VL10010A Housing	
											X		SLN6617A Hetero-Junc. Vidicon Tube	
X	X	X	X	X	X	X	X	X	X	X			SLN6196A Lens Hood	
X	X	X	X	X	X	X							SPN6113A Auto Iris Lens Power Supply	
X	X	X	X	X	X	X	X	X	X	X			Fixed Lenses, Manual Iris (Note 1)	
X	X	X	X	X	X	X							Motorized Zoom Lenses (Note 2)	
X	X	X	X	X	X	X							Auto Iris Lenses (Note 3)	
							X	X	X	X			Controlled Iris Lenses (Note 4)	



S-1162A Diode Array Camera—Circuit Board Shown
NOTE: Parts are used on all models except where indicated.

REF. SYM-BOL	PART NUMBER	DESCRIPTION	REF. SYM-BOL	PART NUMBER	DESCRIPTION
1	48-82020F01	XTAL—31.5 Khz (S1161A & S1162A only) 60 Hz operation	16	18-83083G13	Pot, 10K, R123
	1-6449A01	XTAL—31.25 Khz (S1161A & S1162A only) 50 Hz operation	17	25-6498G01	Xmfr T1, 120 V
2	51-82822F23	IC3 Type 4027 AE (S1161A & S1162A)		SPV25-3194A01	Xmfr T1, 220 V
3	23-82394A15	Cap 500 Mfd +150 -10%; 50 V	18	1-80795A97	Assy, AC pwr conn
4	48-869462	Xistor-NPN-Q42	19	9-82615F01	Jack, Phono—Video output
5	18-82943G02	Pot—500 Ω , 2W	20	51-10790A01	Type T3P, IC2 (S1161A & S1162A only)
6	18-82943G07	Pot—2K, 2W	21	51-82822F08	Type CD4011AE, IC5 (S1161A & S1162A only)
7	18-83083G18	Pot—5K	22	51-82822F03	Type CD4001A, IC4 (S1161A & S1162A)
8	9-858152	Jack, Video in	23	18-83083G21	Pot 500 Ω 's, R132
9	25-82003F01	Inductor, Ferrite 1.75 MH, L3	24	7-82871K01	Bracket, Xmfr—To mount SPN6112A
10	51-84320A38	IC1, Type CA3023	25	43-82253C11	Bushing, threaded—6-32x1/4" (3 used)
11	9-858152	Jack, def—Focus	26	23-82393A06	Cap 2 section, C37
12	18-83083G06	Pot, 2.5K, R94	27	23-10255B5	Cap 10 +50—10%, C36
13	18-83083G27	Pot, 100 Ω , R112	28	SPN-6112A	Reg Filament PS ckt brd., S1162A, S1163A & S1164A only
14	18-83083G14	Pot, 1K, R110	29	23-83210A20	Cap 400 +150-10%; 10V, C51
15	9-82748F01	Connector, Socket—J1, Vidicon Conn			
	01-34000A18	Connector, Socket w/Caps & leads			

NON-REFERENCED ITEMS

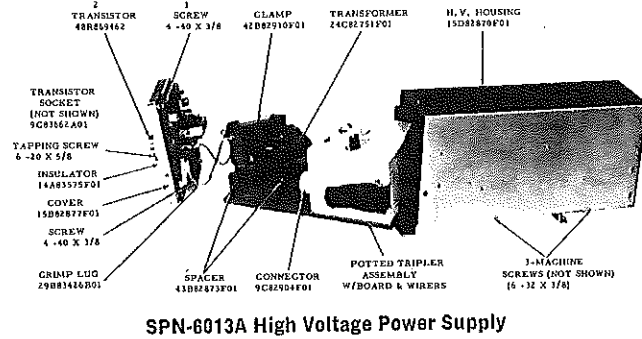
PART NUMBER	DESCRIPTION	PART NUMBER	DESCRIPTION
65-10081A07	Lamp, Neon Glow (S1160A & S1161A only)	42-82690A01	Fuse Clip (2 Req.) on SLN6526A Pwr Brd
XX-XXXXX	Vidicon tubes—SEE MODEL CHART	9-867432	Receptacle, UHF, Video Output, J10
68-33075A02	Service Manual	65-82085F01	Jewel, Pilot Light, P/O Hsng.
1-80798A97	Plug, 3 PIN, P8	3-82836E01	Screw—Captive (6-32) P/O Hsng.
9-37000A26	Plug, Phono P11 (S1162A only)	13-82730F01	Eschutcheon (S1160A & S1161A)
65-868605	Lamp, glow, DS2 type NE2H	38-82363F01	Lens Button
65-21975	Fuse 1/2 amp (120V oper)	26-82733F01	Shield, light, P/O chassis kit
65-802992	Fuse 1/4 amp (220 operation)	28-82992E02	Male Plug, 9 pin, MATES with J4
65-817955	Fuse 3 Amp (24 VAC operation)	30-865903	AC Cord (includes P1) Ref W1, P/O Hsng Kit
40-82731F01	Switch, SI	30-80798A87	Cable, Co-Ax (includes P2) Ref W2 P/O Hsng Kit
9-82618F01	Receptacle Female (3 Req) on SLN6526A Pwr Brd	7-82833F01	Mtg brkt for AC Pwr CKT BRD
		37-84138	Rubber Grommet, used w/7-82833F01

Visual Communications Systems Cameras

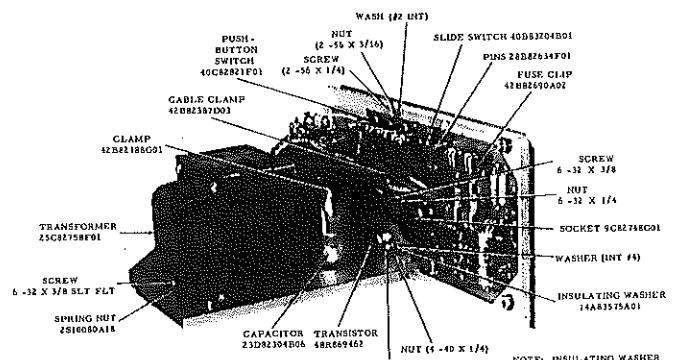
S-1170B & C, S-1171A & B, S-1172A, S-1173A

Table 1. Model Complement

MODEL						KIT NUMBER	DESCRIPTION
S1170B	S1170C	S1171A	S1171B	S1172A	S1173A		
X		X		X	X	SHN-6126B	Housing and Chassis
	X		X			SHN-6126C	Housing and Chassis
X	X			X	X	SLN-6192A	Video and Deflection Board
		X	X			SLN-6192B	Video and Deflection Board
X	X			X	X	SLN-6194A	Vidicon—Single Intensifier Assembly
X	X			X	X	SLN-6195A	Light Attenuator Kit (Single Intensifier)
X	X	X	X			SLN-6502A	Service Adaptor
				X		SLN-6510A	1/2" Automatic Iris Lens
					X	SLN-6509A	1" Automatic Iris Lens
X		X				SLN-6511A	10:1 Motorized Zoom Lens (Wollensak Inc.)
	X		X			SLN-6547A	10:1 Motorized Zoom Lens (Fuji Photo-Optical Co.)
		X	X			SLN-6512A	Light Attenuator Kit (Dual Intensifier)
		X	X			SLN-6513A	Vidicon—Dual Intensifier Assembly
X	X	X	X	X	X	SLN-6525A	Junction Circuit Board
X	X			X	X	SLN-6536A	Lens Cover (Short)
X	X	X	X			SLN-6541A	Lens Cover (Long)
X	X			X	X	SPN-6103A	15 k V Power Supply (For Single Intensifier)
X	X	X	X	X	X	SPN-6104A	Low Voltage Power Supply
		X	X			SPN-1000B	30 k V Power Supply (For Dual Intensifier)

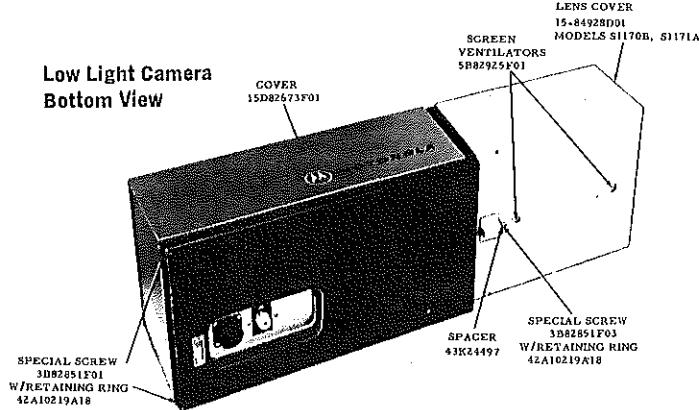


SPN-6013A High Voltage Power Supply

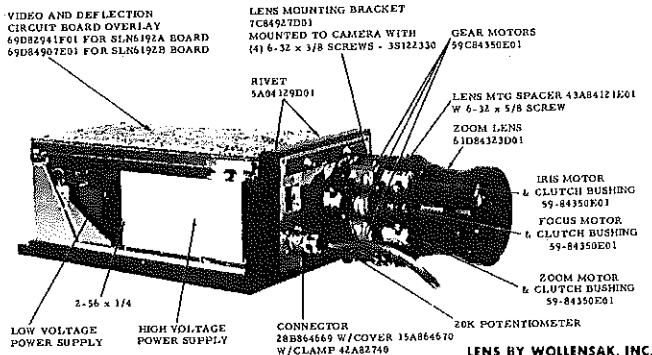
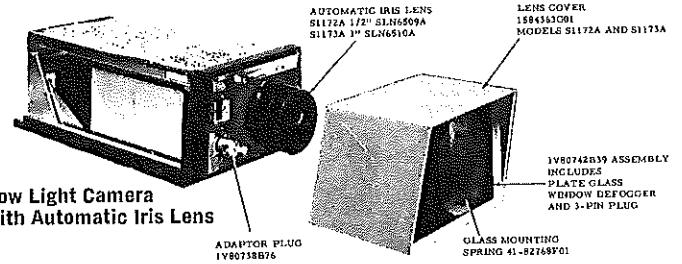


SPN-6104A Low Voltage Power Supply

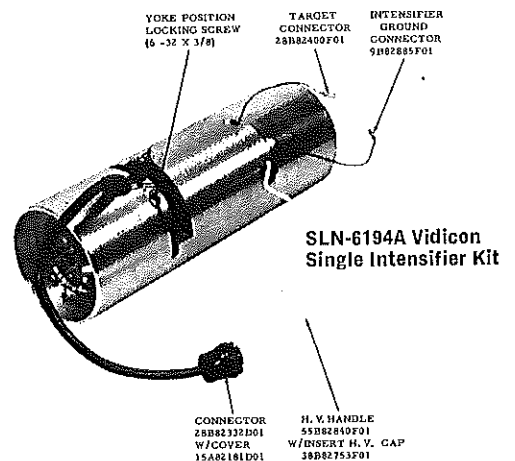
Low Light Camera Bottom View



Low Light Camera with Automatic Iris Lens

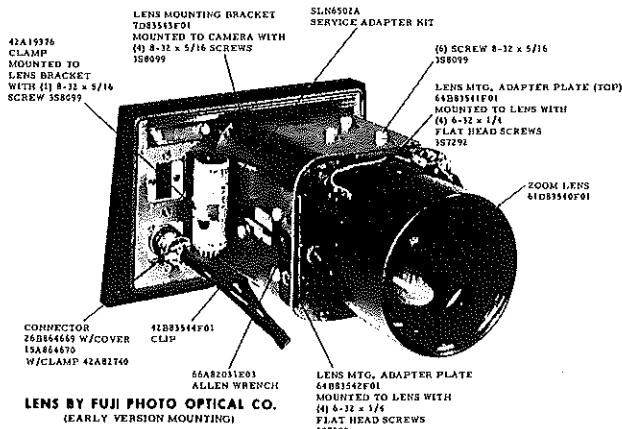


Low Light Camera with SLN-6511A Zoom Lens (Covers Removed)

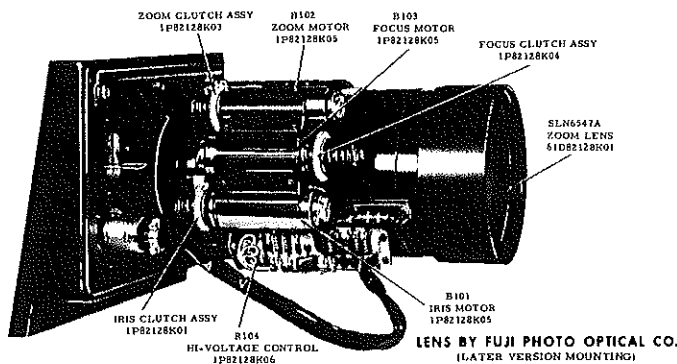


SLN-6194A Vidicon Single Intensifier Kit

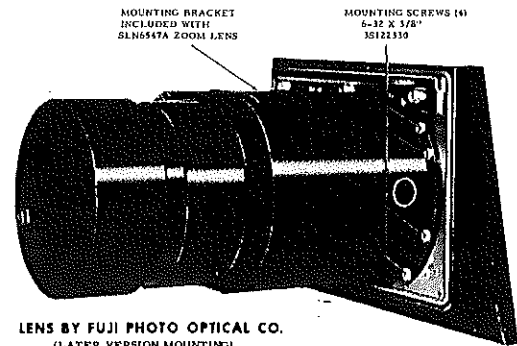
LENS BY WOLLENSAK, INC.



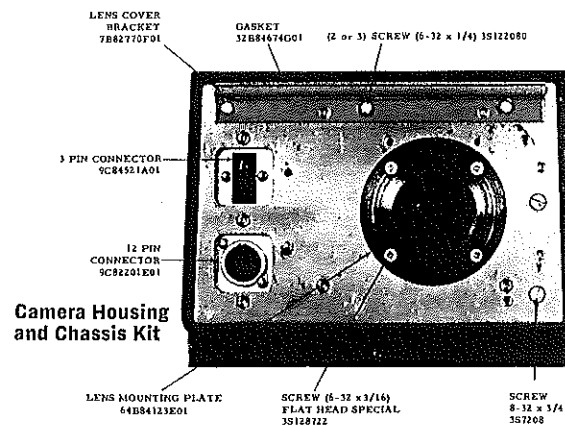
SLN-6547A Zoom Lens Detail (Cover Removed)



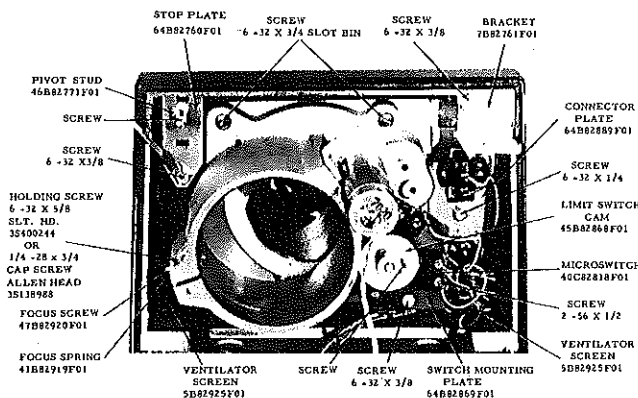
SLN-6547A Zoom Lens Detail (Right-Hand View)



SLN-6547A Zoom Lens (Left-Hand View)



Camera Housing Front View



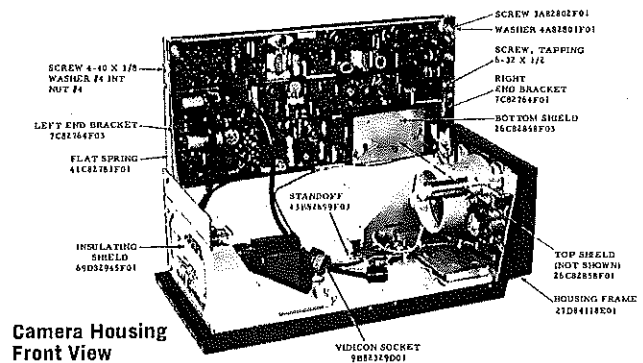
Light Attenuator Kit

SLN-6513A Vidicon Dual Intensifier Kit (not shown)

PART NO.	DESCRIPTION
28-82332D01	Connector
55-84435E01	-30 KV H.V. Handle
38-82753F01	Cap (with insert H.V.)
55-84364E01	-15 KV H.V. Handle
38-82753F01	Cap (with insert H.V.)
09-82885F01	Intensifier Ground Return Connector
28-82400F01	Target Connector

Housing and Chassis Wiring (not shown)

PART NO.	DESCRIPTION
09-82817F01	Connector
15-82181D01	Connector, with cover
10-9408	Braid
32-82782F02	Gasket
59-82757F01	Motor



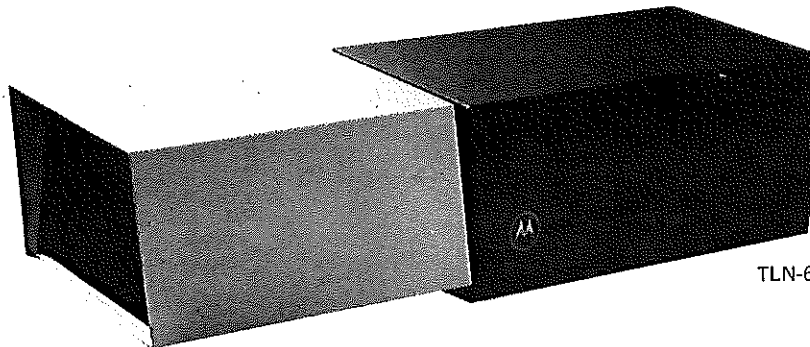
Camera Housing Front View

PART NO.	DESCRIPTION
26-82921F01	Motor, with shield
07-82856F01	H.V. Bracket
09-82817F01	Connector
15-82181D01	Connector, with cover
28-82365F01	Connector, phono
09-82201F01	Connector
42-82800F01	Clip, Circuit Board
28-864669	Connector
15-864670	Connector, with shield
42-82740	Connector, with clamp
28-82887F01	Connector, UHF
29-82201F01	Crimp Lug
14-82905F01	Insulator
64-82810F01	Connector Plate
30-82737F01	Cable

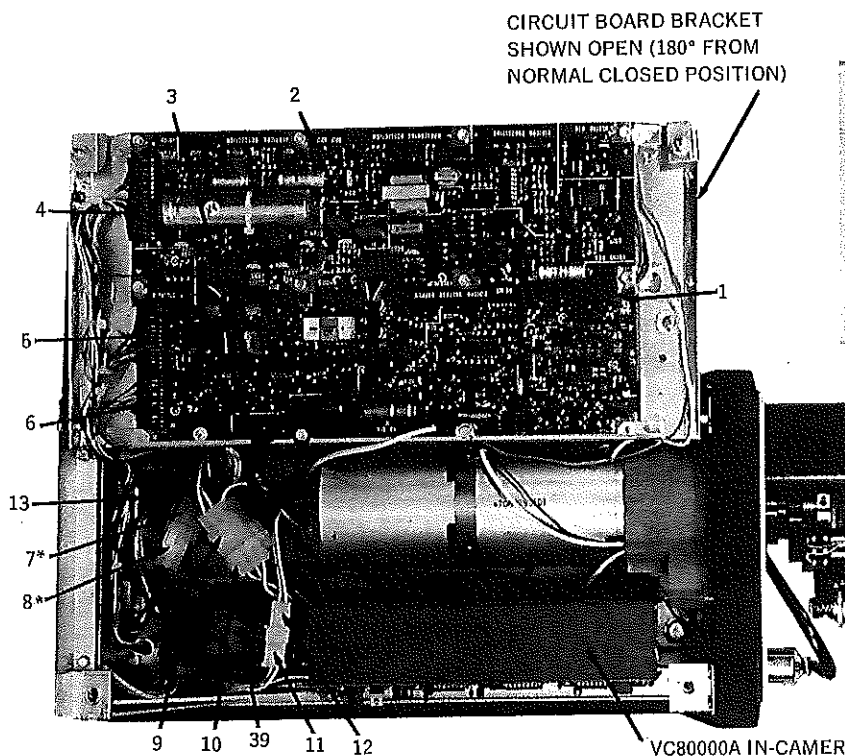


Visual Communications Systems Cameras

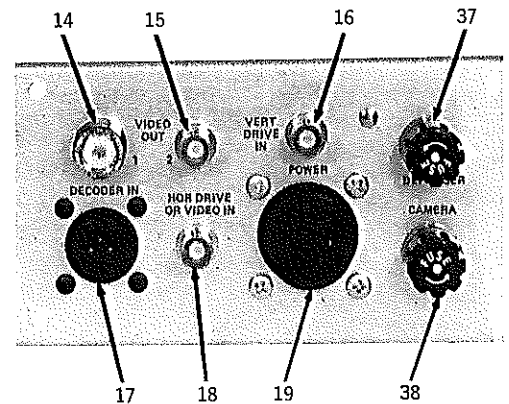
MOCAM CAMERAS S-1176A and S-1177A



TLN-6052A

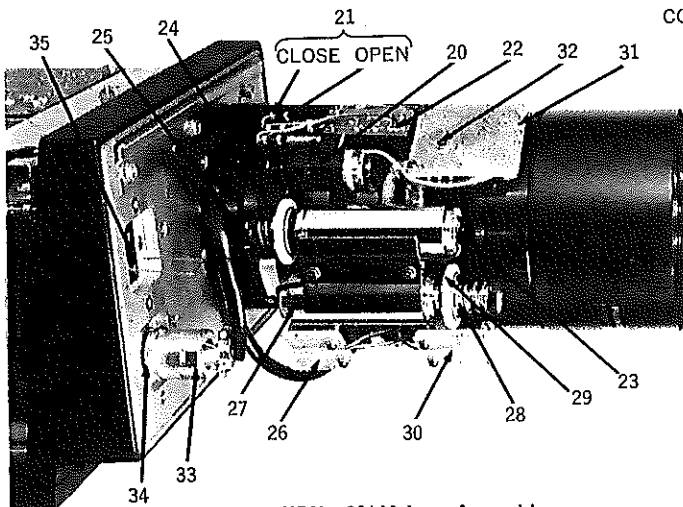


CIRCUIT BOARD BRACKET
SHOWN OPEN (180° FROM
NORMAL CLOSED POSITION)

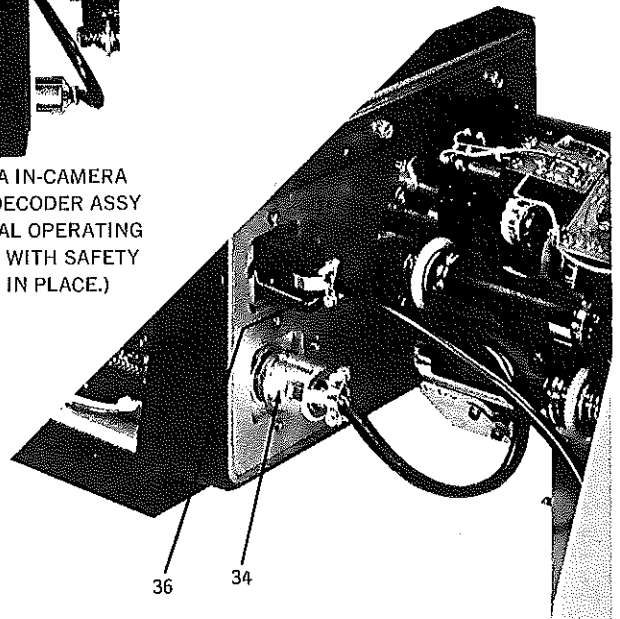


*2-CONTACT CONNECTORS SHOWN FOR 117VAC INPUT--
220VAC WILL HAVE 4-CONTACT CONNECTORS.

VC80000A IN-CAMERA
DIGITAL DECODER ASSY
(IN NORMAL OPERATING
POSITION WITH SAFETY
COVER IN PLACE.)



VDN-6014A Lens Assembly



REF. SYMBOL	MOTOROLA PART NO.	DESCRIPTION
1	39-10061A24	Cont. Female, J1A/J1B, Target Con.
2	15-10183B17	Hsng, Conn., 9 Cont. J6, Confs, below
	39-10184A59	Contacts for J6 above, order # Req.
3	15-10183B17	Hsng, Conn, 9 Cont., J5, Confs below
	39-10184A59	Contacts for above J5, order # Req.
4	15-10183B20	Hsng, Conn. 18 Cont. J4, Confs below
	39-10184A59	Contacts for above, J4, order # Req.
5	15-10183B18	Hsng, Conn, 12 Cont. J3, Confs below
	39-10184A59	Contacts for above, J3, order # Req.
6	15-10183B18	Hsng, Conn, 12 Cont. J2, Confs below
	39-10184A59	Contacts for above J2, order # Req.
7	15-10183A74	Hsng, Conn. 2 Cont, J12, Confs below
	39-10184A64	Contacts for above J12, order # Req.
8	15-10183A73	Hsng, Conn. 2 Cont, P3, Confs below
	39-10184A67	Contacts (MALE) for above P3, order # Req.
9	15-10183A80	Hsng, Conn. 9 Cont. J18 confs. below
	39-10184A64	Contacts for above J18, order # Req.
10	15-10183A79	Hsng, Conn. 9 Cont. P602, confs. below
	39-10184A63	Contacts for above P602, order # Req.
11	15-10183A17	Hsng, Conn. 2 Cont., P501, confs below
	39-10184A02	Contacts for above P501, order # Req.
12	15-10183A18	Hsng, Conn., 2 Cont. J19, confs. below
	39-10184A01	Contacts for above J19, order # Req.
13	15-10183B23	Hsng, Conn, 11 Cont, J502, confs below
	39-10184A76	Contacts for above J502, order # Req.
14	9-10549A01	Receptacle, UHF J15

REF. SYMBOL	MOTOROLA PART NO.	DESCRIPTION
15	9-10549A04	Receptacle, BNC J14
16	9-10549A04	Receptacle, BNC J16
17	15-10811A07	Housing, Connector, 4 Contact, P5, less contacts
	39-10061A26	Contact, male, for P5 above, order qty. needed
18	9-10549A04	Receptacle, BNC, J17
19	15-10811A05	Hsng, Conn. 16 Cont., P1, less confs below
	39-10061A26	Contact, male for above P1, order qty. Req.
20	1-33090A03	Motors, IRIS
21	1-33090A02	Limit Switch (OPEN-CLOSE)
22	1-33090A04	Interconnect brd, Iris motor
23	1-82128K05	Motor, Zoom—less clutch assy
24	1-33090A01	Gear
25	1-82128K03	Clutch Assy, includes Gear
26	1-33090A07	Brd. Filter, Zoom Motor
27	1-82128K05	Motor, Focus, less clutch assy
28	1-82128K04	Clutch Assy, Focus, Includes Gear
29	1-33090A09	Gear, for above Focus clutch assy
30	1-33090A08	Filter Brd, Focus Motor
31	1-33090A06	Servo-Control, Amplifier Brd
32	1-33090A05	Control, Lens Sens. level adjust
33		Lens Plug Assy. Includes following Plug 12 Pin—MALE, 1 Req.
	28-864669	Shell—1 Req.
	15-864670	Clamp—2 Req.
	42-082740	Socket, Miniature; 12 Contact, J10
34	9-82201E01	Receptacle, 3 Contact, Defogger J11
35	9-84521A01	Connector, Plug, 3 Contact P2
36	28-84526A02	Fuseholder F2 Fuse in Non Ref.
37	96-10783A02	Fuseholder F1 Fuse in Non Ref.
38	96-10783A02	Pwr Xmfr T1, 117V 50-60 Hz
39	25-25239A29	Pwr Xmfr T1, 220-240, 50-60 Hz
	25-25239A31	

NON-REFERENCED ITEMS

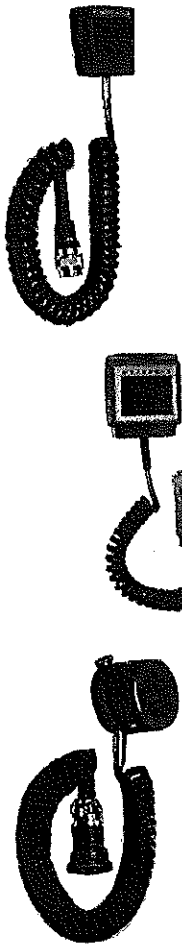
PART NUMBER	DESCRIPTION
SLN 6541B	Lens Hood Assy.
1-80742B39	Defogger Glass, includes 20W element
3-82851F03	Spcl Screw 8-32x2", Hood latch
15-83284F01	Lens Cover (includes vents)
32-82782F01	Gasket 2 1/4 long
41-82768F01	Spring, flat—4 used
42-10219A41	Retainer, C ring
42-10347A02	Cable Clamp, plastic
43-024497	Bushing—1 used
43-84121E01	Spacer, Mounting—1 used
15-10880A02	Hsng. Conn. includes contact, J13
15-1088A01	Hsng. Conn; for intensifier HV, mates with J13
66-82031E03	Allen Wrench
39-10184A24	Pin Connector; Female J20
1-30092A01	High Voltage module for 15KV, VP10000A
1-30092A02	High Voltage module for 10KV, VP10003A
15-10880A01	Housing, Connector; High Voltage P4

PART NUMBER	DESCRIPTION
15-82673F01	Rear Cover
15-10183B23	Hsng Conn; 11 Cont, J7, J8, J9; Confs below
39-10184A76	Contact, Female for J7, J8, J9, above order number required
9-82748F01	Vidicon Tube Socket XVI
15-82673F03	HOUSING, COVER—TOP
3-82851F01	Screw, Special—To Secure Top Cover
65-868606	Neon Bulb—on VC80000A Decoder Assy.
VL10006A	Hetero-Junction Vidicon Tube—
(S1176A)	Intensifier, Vidicon Tube not field replaceable
VL10007A	Silicon Intensified Target Vidicon Tube/
(S1177A)	Intensified Assy, Vidicon Tube not field replaceable
FUSES	
65-21975	1/2 Amp @ 250V (F1)
65-52281	1 Amp @ 250V (F2 Defogger)
65-898635	3/4 Amp @ 250V



Microphones

PORTABLE MICROPHONE REPLACEMENT PARTS



MODEL	CARTRIDGE	SWITCH	PUSH BUTTON	FRONT COVER	REAR COVER	CORD ONLY	CORO & PLUG ASSEMBLY	STRAIN RELIEF	MIKE PLUG
NU-130*	59-855086	—	—	—	—	—	—	—	—
NU-130*	59-855086	—	—	—	—	—	—	—	—
NMN-6006A	59-83272601	40-82263601**	38-852699	15-82701B03	1-80720A95	—	30-82555B17	41-852707	—
NMN-6015A	59-83272601	40-82263601**	38-852699	15-82701B01	1-80720A94	—	30-82555B08	41-852707	—
NMN-6018A	59-82857E02 (replaces 59-82857E01)	40-82863E01**	38-82833E01	15-82828E01	15-82828E01	—	30-82555B17	—	28-16370
NMN-6021B (use NMN-6040A)	50-82660D01	40-82863E01**	38-82829H01	15-82822H01	1-80738A31	30-84306H02	1-80780A93	37-868208	—
NMN-6022A (use NMN-6039A)	50-82660D01	40-82863E01**	38-82829H01	15-82822H01	1-80738A31	—	1-80778A98 (replaces 1-80738A34)	37-82324G01	1-80780A93 (replaces 1-80738A33)
NMN-6022B (use NMN-6039A)	50-82660D01	40-82863E01**	38-82829H01	15-82822H01	1-80738A31	—	1-80778A98	37-868208	—
NMN-6023B	59-82960C01	40-82863E01**	38-82833E01	15-82828E01	1-80748A50	—	1-80779A13	37-868208	—
NMN-6024B	59-82960C01	40-82863E01**	38-82833E01	15-82828E01	1-80748A50	—	1-80779A13	37-868208	—
NMN-6028B	59-83361D01	40-82863E01**	38-82833E01	15-82828E01	1-80750A12	—	1-80779A13	37-868208	—
NMN-6030A	50-83466D01	—	—	15-83465D01	1-80770A57	—	1-80793A32	37-868208	—
NMN-6032A	59-82933C02 (replaces 59-82933C01)	40-82263G01	38-852699	15-82701B08	—	—	1-80793A32	41-852707	—
NMN-6034A	59-82933C02 (replaces 59-82933C01)	40-82863E01**	38-852699	15-82701B08	—	—	1-80770A61	41-852707	—
NMN-6036A	50-83466D01	40-82263G01**	—	15-83465D01	—	30-84306H01	1-80770A61	37-868208	9-82679H01
NMN-6039A	50-83466D01	40-82863E01**	38-83388G01	15-83380G01	—	—	1-80793A22 (replaces 1-80776A44)	—	9-82679H01
NMN-6040A	50-82162D01	40-82863E01	—	15-83380G01	1-80780A94	30-84306H02	1-80793A26 (replaces 1-80793A24)	—	9-82679H01
NMN-6041A (use NMN-6041C)	50-82917J02 (replaces 50-83466D02)	40-82159D01##	—	15-84418H01***	1-80793A49##	30-84048H02##	1-80793A48##	42-84409H01##	9-84039H01##
NMN-6041B (use NMN-6041C)	50-82157J01	40-82159D01##	—	15-82155J01***	1-80703C71##	30-84048H02## (replaces 30-84048H01)	1-80702C1B##	42-84409H01##	—
NMN-6042A (use NMN-6042C)	50-82917J02 (replaces 50-83466D02)	40-82159D01##	—	15-84418H01***	1-80793A51##	30-84123H03##	1-80792A08 (replaces 1-80793A50)	42-84409H01##	9-84039H01##
NMN-6042B (use NMN-6042C)	50-82157J01	40-82159D01##	—	15-84417H01***	1-80793A51##	30-84123H03##	1-80792A08 (replaces 1-80793A58)	42-84409H01##	9-84039H01##
NMN-6046A	50-82917J02 (replaces 50-83466D02)	40-82159D01##	38-83388G02	—	1-80789A82 (replaces 1-80793A53##)	30-84048H02##	1-5958A57 (replaces 1-80793A52)	37-84320H01##	9-84039H01##
NMN-6048A (use NMN-6048C)	50-82917J02 (replaces 50-83466D02)	40-82159D01##	—	15-82155J01##	1-80703C73##	30-84048H02	1-80792A08 (replaces 1-80791A26)	37-84320H01##	1-5958A57 (replaces 1-80793A52)
NMN-6048B (use NMN-6048C)	50-82157J01	40-82159D01##	—	15-84418H01##	1-80793A53##	30-84123H03##	1-80792A09##	41-84037H03##	9-84039H01##
NMN-6049A (use NMN-6049C)	50-82157J01	40-82159D01##	—	15-84418H01##	1-80793A53##	30-84123H03##	1-80792A09##	37-82600J01##	1-80793A54##
NMN-6049B (use NMN-6049C)	50-82157J01	40-82159D01##	38-84414H02##	15-82155J01***	1-80790A12##	30-84123H03##	1-80792A09##	37-82600J01##	1-80793A54##
NMN-6055B	59-82960G02	40-82159D01**	38-82833E02	—	—	—	1-80704C57	—	1-5675H03 (replaces 1-82574J02)
NMN-6059A (use NMN-6059B)	50-82157J01	40-82159D01##	38-84414H02##	15-82155J02##	1-80708C24***	—	1-5675B01 (replaces 1-82574J01)	37-84320H01##	—
NMN-6060A (use NMN-6060C)	50-82162D01##	—	—	15-82565J02##	—	—	1-05950A68##	—	—
NMN-6061A (use NMN-6061B)	50-82162D01	PK-733 (replaces 40-82090H01)	38-82288G02	15-82565J02	1-5955A32 (replaces 1-05950A69)	PK-370 (replaces 30-8590C4)	1-05951A13	41-82547J01	9-84039H01
NMN-6062A	59-83272601	40-82263G02**	38-84559B02	15-82701B08	1-80708C61	30-82565B23 (replaces 30-85403B)	—	41-852707	28-83372F02 (replaces 28-84865A01)

*Supplier Turner †Supplier Shure **Back-up spring required, 41-82855E01 ##Also applies to B and C Versions
 ‡Shell 15-82668H01 & Clamp 42-82682H01 for 9-82146D01 plug #Molded plug part of coil cord ††Also applies to A Version
 †††Push button included in back cover ***No longer available—order instruction sheet 68-83561F51 to update

MOBILE (OLD DIE-CAST) MICROPHONE PARTS* MISCELLANEOUS REPLACEMENT PARTS

- 38K 848315—Switch Button (push to talk) for all models
 3A 16380—Hang Up Button (fits into back cover) for hanging microphone to support plate. For all models except TU342, TU352 and P255C
 1-16241—Microphone Mounting Kit for hanging microphone. Includes one 64A 85596 support plate and two 3S 8101 mounting screws. For all models except TU342, TU352 and P255C
 42B 893647—Strain-relief clamp and "S" hook for securing mike cable into control head
 41K 838823—Plug End Spring for TU341, TU351, TU354 and P255A only
 41A 852707—Microphone End Relief Springs for all models
 35K 844077—Grille Cloth for all models
 3S 1529—Cover Mounting Screw for all models

MICROPHONE CONNECTORS

- 28A 16370—Cable Connector, 4 prong
 9-830418—Chassis Receptacle, 4 contacts (replaces 9-16345)
 less locknut 2-81180 and washer 4-7699
 28A 881072—Cable Connector, 6 prong
 9A 831337—Cable Receptacle, 4 contacts
 9A 800636—Cable Receptacle, 6 contacts
 3K 866936—Plug "Insert" Screws
 42P 83150D84—Plug, Cable Clamp

*NOTE: Replacement front covers and back housings are no longer available for old die-cast series microphones. It is recommended that a new microphone be ordered for badly damaged units.

COILED CORDS

- 30B 84269—Standard Coiled Cord, 11" retracted, with trimmed and tinned leads. For TU341, TU351 and P255A microphones
 1V 80706A67—Standard Coiled Cord, 11" retracted. Includes 4 pin male microphone connector. For TU341, TU351 and P255A microphones
 30K 475846—Standard Coiled Cord, 7" retracted, with trimmed and tinned leads. For TU342, TU352 and P255C microphones.
 30B 891505—Tinsel Coiled Cord, 11" retracted, terminated in 4 spade lugs for 50D 844798, 50D 845121 and 50B 890923 microphones
 30B 822726—Tinsel Coiled Cord, 13" retracted. Includes 4 pin male microphone connector For TU343, TU353 and P255E microphones
 30-852740—Replaces 30-848348—Tinsel Coiled Cord, 12" retracted. Includes 4 pin male microphone connector. For TU354 dynamic speaker—microphone.

CARTRIDGES, RINGS, PRE-AMP

- 50K 810470—Carbon Replacement Cartridge for TU341, TU342, TU343, P255A, P255E, 50D 844798 and 50B 890823 microphones
 42K 838820—Rubber Cartridge Mounting Ring for TU341, TU343, 50D 844798 and 50B 890923 microphone
 1V 848112—Pre-Amp Assem. for TU351 series

CERAMIC MIC REPLACEMENT PARTS

For Original MOCOM•10 Microphone

- 59P 83042H75—Mike Cartridge
 1P 83042H76—Back Cover Assembly (includes stud)
 15P 83042H77—Front Cover
 40-83042H80—Slide Switch (with Sponge Pad)
 1P 83042H84—Coiled Cord and Strain Relief



MOBILE TRANSISTORIZED MICROPHONE PARTS

COILED CORDS

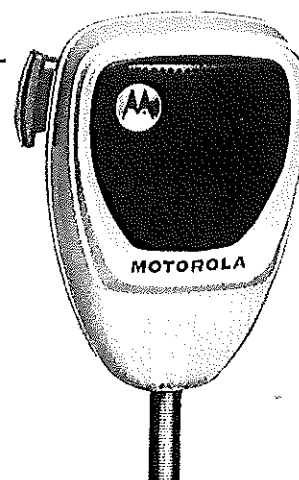
- 30B852740—Cord, Coiled copper wire 12" retracted. Use on TU-351A
- 30K852742—Cord, Coiled (tinsel) 12" retracted. Used on TU-353A and 1V852400
- 1V80706A67—Coil Cord & Plug 12" retracted. Includes 4 pin male microphone connector. Used on TU-351A, TMN6011A & TMN 6020A
- 1V80707A86—Coil Cord & Plug 8" tinsel, retracted. Includes 4 pin male microphone connector with weatherproof connector cover. Used on TU-352A, NMN6003A
- 1V80707A58—Coil cord w/plug includes 4 pin plug & strain relief spring. For models TMN6013A & 6022A Plastic Microphones, and TMN6000A & TU353A (Tinsel Cord)
- 1V80724A28—As above, but includes Push to Talk Switch in one weather proof assembly for TMN6018A & TMN6023A weather proof plastic case microphones
- 1V854006—Cord, Coiled w/solderless spade lugs. Used on 1V852400
- 1-84135C01—Replaces 1-80709B94—Coil cord and plug 12" retracted. Includes 5 pin-female "Micor" connector.

ELECTRICAL COMPONENTS

- 59C852603—Cartridge. (For Metal Case Microphones)
- 59-83272G01—Replaces 59-82933C01—Cartridge, with built in amplifier for all plastic case microphones
- 40C82202B01—Switch (DPST) Used on TU-351A only
- 40C82263G02—Switch (DPST) used on plastic case microphone
- 40B852734—Switch (SPST) Used on TU-352A, TU-353A and 1V852400, 1V80707A64, TMN6011A
- 1V861317—Pre-Amp. Assembly
- 28B16370—4 pin male plug
- 48-83750G05—Replaces 48-124317—Transistor (MN60)
- 14A861196—Transistor Insulator

MECHANICAL COMPONENTS

- 13B852703—Mic. Grill
- 35A852701—Grille Cloth
- 38A852699—Pushbutton, Standard
- 38-84559B01—Pushbutton, "Micor"
- 32B852702—Rubber Gasket (Metal Microphones)
- 32A82703B01—Rubber Gasket (Plastic Microphones)
- 42A82702B02—Cartridge Retainer (Plastic Microphones)
- 41A852707—Spring (Strain Relief)
- 42A852710—Clamp, Cable
- 42A852705—Strap
- 14A857137—Insulator (Between Clamp & Mic. Cart.)
- 14A857138—Insulator (Printed Circuit Assem.)
- 4K852762—Washer, Insulator spacer
- 13A852709—Emblem, Gold
- 13-83174B01—Emblem, Silver
- 13-84599B01—Emblem, Blue "Micor"
- 3S124693—Screw (6-32x $\frac{1}{4}$ Phl. Rnd. Stl. Cad.)
- 3S127481—Mch. Scr. (6-32x $\frac{7}{8}$ Phl. Rnd. Pol. Nk.)
- 3S127924—Lockscrew (6-32x $\frac{5}{16}$ Phl. Rnd. Stl. Cad.)
- 4S400386—Lockwasher (#6)



MICROPHONE HOUSING PARTS

Motrac and Motran

- 15-82701B01—Front cover with grille, driftwood, plastic
- 1-80720A94—Back cover with grille, blue-grey, plastic

MOCOM•10 and Industrial Dispatcher

- 15-82701B08—Front cover with grille, stellar blue, plastic
- 1-80712B63—Back cover with grille, stellar blue, plastic

"T" Power and Tube Type Mobiles

- 15-82701B05—Front cover with grille, light grey, plastic
- 1-80725A49—Back cover with grille, dark grey, plastic
- 15-852566—Front cover with grille, light grey, metal
- 1-854005—Back cover with grille, dark grey, metal
- 1-864588—Back cover with grille, blue grey, metal

Motorcycle and Industrial Dispatcher

- 15-82701B03—Front cover with grille, black, plastic
- 1-80720A95—Back cover, black, plastic

"Micor" Models

- 15-82701B12—Front cover with grille, shadow pearl, plastic
- 1-80709B93—Back cover, shadow pearl, plastic

PDK-13 TINSEL CORD REPAIR KIT

Kit includes Crimp Sleeves, Spade Lugs, Neoprene Sleeves. Enough material for repairing 5 tinsel cords.

MOBILE MICROPHONE REPAIR KIT

P-255—TU-341—TU-351—TU-352—TU-353

SAVE 10% — A handy assortment of mechanical components for replacement in the mobile microphones listed above is now available in a clear, see-through, self-sealing plastic bag. This assortment includes such items as insulators, clamps, screws, springs, washers, grille cloths, etc. Up to 5 microphones can be repaired from this assortment. Order PDK-592 microphone repair kit

TRANSISTORIZED MOBILE MICROPHONE REPAIR KIT



TU-351A—TU-352A—TU-353A—1V852400

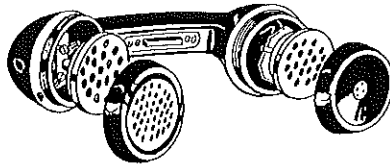
SAVE 10%—An assortment of mechanical components for replacement in the transistorized microphone as listed is now available in a clear, see-through, self sealing plastic bag. This assortment includes such items as insulators, clamps, screws, washer, grille cloths, etc. Up to 5 microphones can be repaired from this assortment. PDK-591 Transistorized microphone repair kit

Microphone Mounting Kit

1-16241—Microphone Mounting Kit for hanging microphone. Includes one 64A 85596 support plate and two 3S 8101 mounting screws. For all models except TU342, TU352 and P255C

Microphones and Handsets

HANDSET PLACEMENT PARTS



Receiver Caps

PART NO.	MODEL
15K 840998	Western Electric and Roanwell Handsets
15K 850855	Stromberg-Carlson Handsets

Transmitter Caps

PART NO.	MODEL
15K 840999	Western Electric and Roanwell Handsets
15K 850856	Stromberg-Carlson Handsets

Receiver Cartridges (see note below.)

PART NO.	HANDSET TYPE
59K 51050	Western Electric and Roanwell Handsets

Transmitter Cartridges

PART NO.	HANDSET TYPE
59K 51049	Western Electric and Roanwell Handsets
59K 850965	Stromberg-Carlson (TU-460) Desk Sets
PK-511	Replaces 59-850853 Stromberg-Carlson (NU-129) Handsets

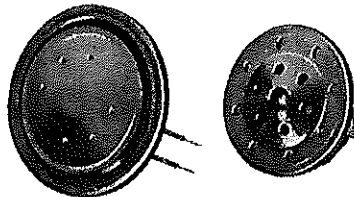
Push to Talk Switches

PART NO.	HANDSET TYPE
40K 834349	Roanwell (59-834032-804932)
40K 850860	Stromberg-Carlson (50-850961-847025)

Contacts, Mtg. Screws

PART NO.	DESCRIPTION AND TYPE
3K 850859	(Screw-Contact Mtg.) Stromberg-Carlson
3K 866829	(Screw-Switch Mtg.) Stromberg-Carlson
3K 866830	(Switch to Mtg. Plate Screw) Stromberg-Carlson

BASE STATION CARTRIDGES



PART NUMBER	DESCRIPTION
59C 852603	For all TU 532, TU 533, TU 535, TU 536 series and TMN 6007A and TMN 6008A microphones
59K 810174	For P7245 series microphone
59K 851807	For TU 436 microphone
59-83272G01	Replaces 59-82933C01 Cartridge & pre-amp for TMN 6009 and 6010B desk set and TMN-6013A, 6049A, 6054A, 6055A, 6056A, microphones

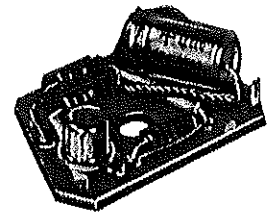
NOTE: Receiver Cartridges
Receiver cartridge 59-850852 used on A, B, and early C suffix version TMN-6002 series handsets (Stromberg-Carlson) through mid-1970 is no longer available. The improved cartridge used on later handsets is number 59-83308F01 and will not fit in the older handsets. To distinguish between the two handsets older models have four holes and the receiver cap and newer ones have six. (Reference 68-83661F11)



HANDSET COIL CORD AND PLUG ASSEMBLIES

DESCRIPTION	USED ON	PART NO.
4 Cond. with 4 Prong Plug	P278 D&L NU129	1V848171
	NMN6007A NMN6017A	
	P278C & F	
4 Cond. With Solder Lugs	TMN6021A	1V80724A27
5 Cond. With 4 Prong Plug	TMN6006A TMN6015A TMN6006B TMN6015B	1V80723A02
	1V852500 TU473 TU560	
	TMN6005A TMN6009A TMN6010A TMN6012A	
5 Cond. With Spade Lugs	TMN6005B TMN6009B TMN6010B TMN6012B TMN6039A TMN6040A	1V80723A01
	TMN6038A	
	30B82565B23	
5 Cond. With 6 Prong Plug	TU477	1V854065
5 Cond. with 5 Prong Molded Connector (Micor)	TMN-6057A	1-84519C01

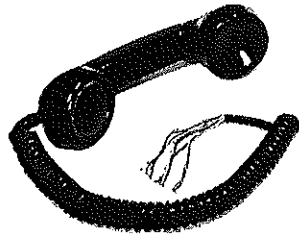
BASE STATION PRE-AMPLIFIERS



PART NUMBER	DESCRIPTION
1V 861317	Pre-Amp for TU 535 and TU 536 series microphone
1V 80705A81	Pre-Amp for TMN 6007A and TMN 6008A microphones
1V 848112	Pre-Amp for TU 436 microphone

Desk Sets, Handsets, Microphones, Hang-Up-Boxes

DESK SET AND HANG-UP-BOX REPLACEMENT PARTS



DESCRIPTION	PART NUMBER
Handset with coil cord	
for models TMN 6009A & 6010A	1V 80723A03
for models TMN 6009B & 6010B	1V 80723A03
for models TMN 6040A	1V 80723A03
Handset only less transmitter cartridge for all models	50K 852602
Cartridge, microphone for TMN 6009A & 6010A	59C 82340A01

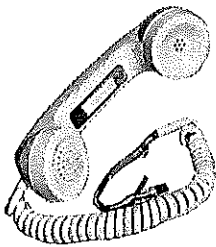
DESCRIPTION	PART NUMBER
Cartridge, microphone for TMN 6009B, 6010B, 6040A	59C 82933C02
Cartridge, receiver for all models	(see note on receiver cartridges)
Switch, handset	40K 850860
Speakers	
for models TMN 6009A & B	50C 852738
for models TMN 6010A & B	50C 852738

Note: for additional handset parts see index.

MISCELLANEOUS PARTS

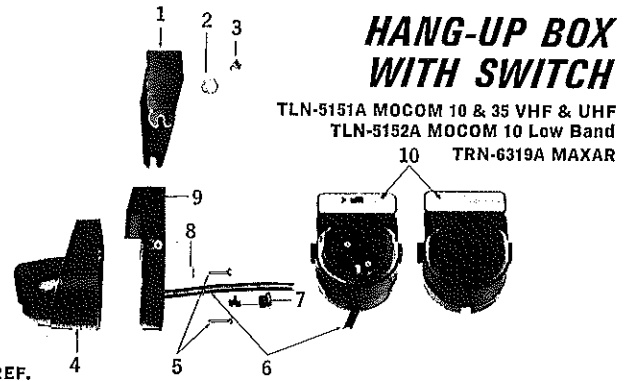
Speaker screen (desk set models)	35A 830164
Knob (All Vol. and Sq. for desk set models)	36A 82944A01
Knob (Control for hang up box)	36A 855070
Bulb, neon NE2H	65K 868606
Line cord and plug, 6 ft. (with fuses)	1V 80742A38
Fuse 1/4 amp 250V 3AG AGC	65K 474899
Plug, line (fused type)	28B 855978
Potentiometer, 500 ohm for hang up box	18C 801878

MODAR, TRITON HANDSET



PART NO.	DESCRIPTION
01-80743B97	Coil Cord; (white)
03-124432	Machine Screw (4-40 x 1/4)
15-84053A01	Cover, Switch
15-84107A02	Handset Housing w/caps; (white)
29-800038	Log, Term
38-84808G01	Button, Switch
40-84508G01	Switch
41-84799G01	Spring, Restoring
42-84426D01	Retainer, Cartridge
59-84058A01	Cartridge, Handset Receiver
59-84427D01	Cartridge, Microphone

HANG-UP BOX WITH SWITCH



TLN-5151A MOCOM 10 & 35 VHF & UHF
 TLN-5152A MOCOM 10 Low Band
 TRN-6319A MAXAR

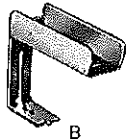
REF. NO.	PART NO.	DESCRIPTION
1	07-84568B02	Bracket, trunnion
2	04-1724	Washer, flat (.234" x .625" x 48")
3	03-7302	Screw, machine; Phillips hex hd (10-32 x 3/8")
4	15-84520C01	Hang-Up Cup and Switch
5	03-135507	Screw, machine; Phillips hex hd (6-32 x 3/4")
6	01-80739B77	Cable Assembly (TLN-5151A)
	01-80739B78	Cable Assembly (TLN-5152A)
	01-80779B90	Cable Assembly (TRN-6319A)
7	42-82018H08	Anchor, cable strain relief
8	04-1720	Washer, flat (156 x 375 x 30)
9	01-80717B40	Mounting Base and Switch
10	13-84515C01	Escutcheon (TLN-5151A and TRN-6319A)
	13-84515C02	Escutcheon (TLN-5152A)

MODAR, TRITON MICROPHONE

PART NO.	DESCRIPTION
01-80732B40	Assembly Coil Cord
01-80732B41	Assembly Housing, Riveted
59-82933C02	Cartridge, Dynamic
03-132436	Machine Screw (6-32 x 3/8)
04-114201	Flat Washer
04-9795	Lock Washer
42-82702B02	Retainer, Cartridge
32-82703B01	Gasket, MIC
38-84559B01	Button, MIC



MICROPHONE AND HANDSET HOLDERS



For "Handie-Talkie" Radio Units

PART NUMBER	USAGE
42K847537 (Fig. A)	"P" and "H" Series "Handie-Talkie" Units
01-80723A65 (Fig. B)	"H" Series "Handie-Talkie" Units
7B847008 (Fig. C)	"H" Series "Handie-Talkie" Units
42C82811E01	Mike holder for DDC series (not shown)

For Motorcycle Units

PART NUMBER	USAGE
7B845029 (Fig. D)	Transistorized Motorcycle "Dispatcher" Radio

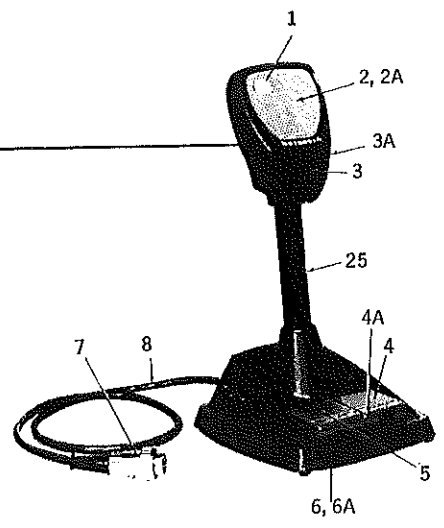
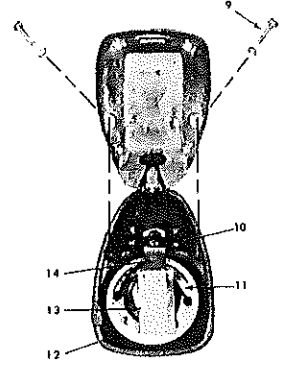
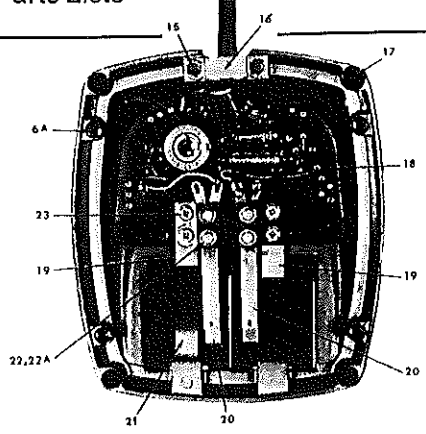
For Mobile and Base Station Units

PART NUMBER	USAGE
59B 80216 (Fig. E)	General
1V 858465 (Fig. F)	General (For Stromberg-Carlson)
1V 16241 (Fig. G)	Mobile
1V 851093 (Fig. G-1)	General (Spring Loaded)
7-82540C03	General similar to G-1 (Not Spring Loaded)



Desk Microphones

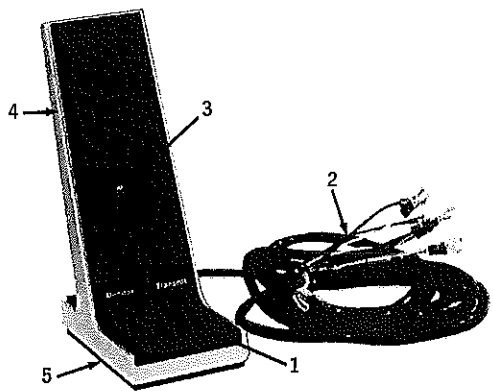
Parts Lists



TMN-1003A PL Mike, TMN-1002A CS Mike for MOCOM 35

REF. NO.	PART NO.	DESCRIPTION
1	13-84599B01	Emblem
2	13-83713B02	Grille
2A	35-852701	Cloth, grille
3	15-83172B02	Housing, front
3A	15-83171B02	Housing, rear
4	38-855009	Pushbutton, "Transmit" (TMN-1003A)
4A	38-855008	Pushbutton, "Transmit" (TMN-1002A)
5	38-855010	Pushbutton, "Monitor" (TMN-1003A)
6	64-855001	Cover, bottom
6A	46-854311	Fastener, friction type (for bottom cover)
7	28-83372F02	Connector, plug
8	01-80727B30	Cable Assembly

REF. NO.	PART NO.	DESCRIPTION
9	03-132401	Screw, machine; 6-32 x 7/8"
10	31-124665	Terminal Strip
11	59-852603	Cartridge, mike
12	32-852702	Gasket, cartridge mounting
13	14-857137	Insulator, retaining clamp
14	42-852705	Clamp, cartridge retaining
15	03-128052	Screw, tapping; 6 x 5/8" plain hex head
16	42-84342B01	Clamp, cable
17	75-838826	Bumper (rubber)
18	TLN-4344A	Circuit Board Assembly (for reference only)
19	41-855004	Spring, pushbutton retractor
21	42-84951D01	Spring, clip
22	03-136878	Screw, machine 5-40 x 5/8" plain hex head
22A	02-84331B01	Nut, special; switch mounting
23	03-134184	Screw, tapping; No. 4 x 3/8" "Phillips" hex head
24	07-83175B02	Stand, microphone
25	47-83176B02	Pipe, microphone support



TMN-1000 Series Desk Microphone

REF. NO.	PART NO.	DESCRIPTION
1	38-84184E02	Button, left hand (THN-6154A, THN-6279A) C.S.
	38-84184E01	Button, left hand (THN-6155A, THN-6280A) P.L.
	38-84192E01	Button, right hand, transmit
	40-84711E02	Switch leaf; 2 section, multiple nonlocking contacts (THN-6154A, THN-6279A) C.S. Mike
	40-84711E01	Switch, leaf; 2 section multiple nonlocking contacts (THN-6155A, THN-6280A) P.L. Mike
	03-136676	Screw, switch mtg. 4-40 x 1/4" phl hex
	42-84725E01	Clip, retainer
	47-84193E01	Shaft
	47-84194E01	Shaft Extension, for 47-84193E01
	47-84723E01	Shaft Coupling (THN-6154A), (Carrier Squelch Only) (THN-6279A)
	22-82591C05	Pin, roll (THN-6154A, THN-6279A) (Carrier Squelch Only)

REF. NO.	PART NO.	DESCRIPTION
2	01-80736B05	Cable Assembly for TMN-1004A TMN-1005A, TMN-1012A, and TMN-1013A; includes 29-847854 Lug, slotted tongue (7 req'd)
	1-80788B86	Cable Assembly for TMN-1015A includes: 29-82336A02 connector pins (7 req'd)
	1-80788B85	Cable Assembly for TMN-1014A includes 28-16370 4 plug connector
3	15-84186E01	Cover, front
	26-84720E01	Foil, grounding, front cover
	03-138810	Front cover screw 4-40 x 5/8" phl bn hx bk ox
	04-10058B10	Washer ("Teflon")
	05-84371E01	Grommet, cartridge
4	15-84188E01	Cover, rear
	26-84721E01	Foil, grounding, rear cover
5	15-84191E01	Housing
	64-84183E01	Plate, base
	75-84722E01	Pad, base plate
	3-138809	Base plate screw 4-40 x 5/8" phl bn hx bk ox

Microphone, Cables & Plugs

MICROPHONE	CABLE*	PLUG
TMN-1002A	1-80727B30	28-83372F02
TMN-1003A	1-80727B30	28-83372F02
TMN-6007A	1-855257	28-847092
TMN-6008A	1-855257 & 1-855256	28-847092 (plug) 29-847854 (lugs)
TMN-6041A	1-80748A53	—
TMN-6042A	1-80748A53	—
TMN-6016A	1-855257 & 1-855256	—
P-7245	1-803807	28-881072
TU-532	1-855201	—
TU-533	1-855201 & 1-855256	—
TU-535	1-855257	—
TU-536	1-855257	—

*Cable includes plug and/or lugs

HANDSET SWITCHES



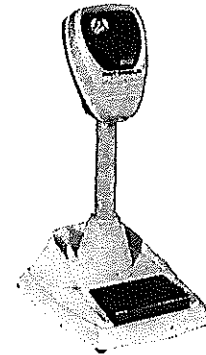
FOR MODEL	HANDSET MFG.	SWITCH PART NO.
P278C & F P278G	Roanwell	40X 834349
NU 129 TU 475 TU 476 TU 477 TU 560 TMN 6005A TMN 6006A 1V 852500 TMN 6009B TMN 6010B NMN 6007A	For Stromberg-Carlson Model Handsets	40K 850860
NMN 6017A		40P 82446G04



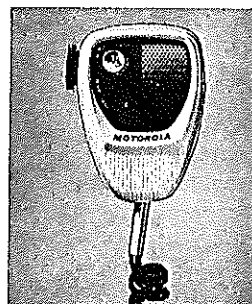
MOTORCYCLE AND PORTABLE MICROPHONE SWITCHES

MODEL	APPLICATION	PART NUMBER
NMN 6003A	Motorcycle	40C 82202B01
NMN 6005A	Motorcycle	40C 82202B01
NMN 6006A	Motorcycle	40C 82202B01
NMN 6010A	Industrial	40C 82202B01
NMN 6011A	Low Freq. Pager	40-83300B02
NMN 6012A	Surveillance Mike	40B 82159D01
NMN 6013A	Low Freq. Pager	40B 83300B02
NMN 6015A	Industrial "Dis-patcher" Radio	40C 82263G01
NMN 6018A NMN 6019A NMN 6020A, B NMN 6021A NMN 6022A, B NMN 6023A NMN 6024A, B NMN 6025A NMN 6027A, B NMN 6028A, B	P23DDC, etc.	40C 82863E01
NMN 6026A		Surveillance Mike
NMN 6032A NMN 6034A	D43DEN	40C 82263G01

BASE STATION MICROPHONE PUSHBUTTONS AND SWITCHES



MODEL	DESC.	PUSHBUTTON PART NO.	DESC.	SWITCH PART NO.
TU-532	Large "Xmit"	38-855008	"Xmit"	40-83300B01
TU-533	Small "Xmit"	38-855009		
		"Mon"	38-855010	40-83300B02
TU-535	Large "Xmit"	38-855008	"Mon"	40-83300B02
TU-536	Small "Xmit"	38-855009	"Mon"	38-855010
		"Mon"	38-855010	
TMN-1002A	Small "Xmit"	38-855009	"Xmit"	40-83298B01
TMN-1003A	"Mon"	38-855010	"Mon"	40-83298B01
TMN-6007A	Large "Xmit"	38-855008	"Xmit"	40-83298B01
TMN-6008A	Small "Xmit"	38-855009	"Mon"	40-83298B01
		"Mon"	38-855010	
TMN-6016A	Large "Xmit"	38-855008	"Xmit"	40-83298B01
TMN-6041A	Small "Xmit"	38-855009	"Xmit"	40-83298B01
		"Mon"	38-855010	40-83298B01
TMN-6042A	Large "Xmit"	38-855008	"Xmit"	40-83298B01



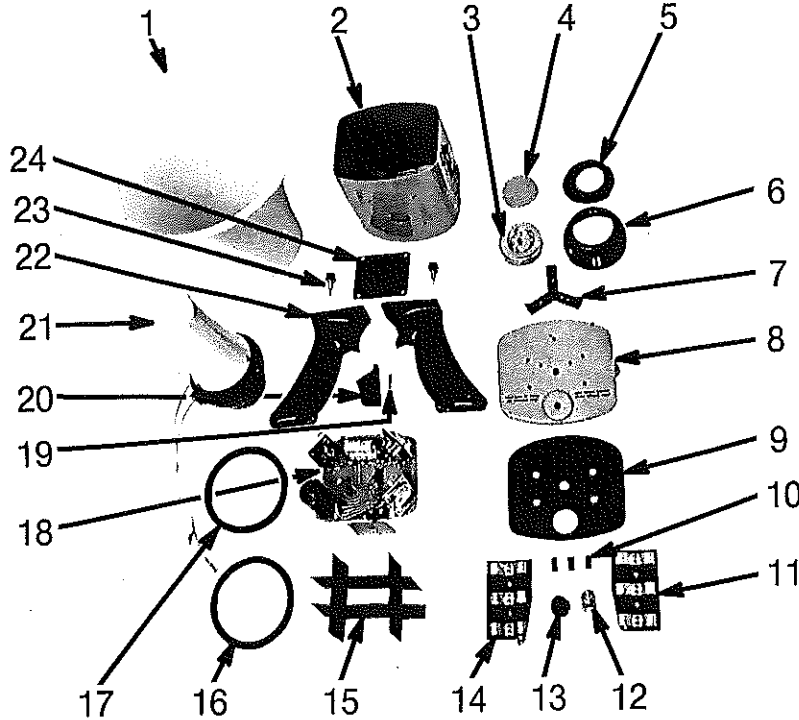
MOBILE MICROPHONE SWITCHES

MODEL NO.	SWITCH PART NUMBER		
TU 351A	DPST or SPST	40K 82202B01	
TU 352A			
TU 353A			
1V 852400			
1V 80707A64			
TMN 6011A	DPST DPST DPST	40C 82263G02	
TMN 6013A			
TMN 6018A			
TMN 6019A			
TMN 6020A			
TMN 6022A			
TMN 6023A			
1V 80720A65			
			40C 82263G01
			40C 82263G02



Power Voice Megaphone

SLN-6440A



REF. NO.	PART NO.	DESCRIPTION
1	15-80333A01	Horn
2	15-80333A02	Housing
3	59-80333A03	Microphone, Cartridge
4	35-80333A04	Filter Screen
5	15-80333A05	Neoprene Mouthpiece
6	13-80333A06	Microphone Grille
7	7-80333A07	Microphone Support
8	1-80307A61	Cover, w/strikes
9	32-80333A08	Cover Gasket
10	75-80333A09	Neoprene Bumpers
11	1-80307A62	Cover Contact Board
12	18-80333A10	Volume Control
13	36-80333A11	Knob
14	1-80307A63	Cover Contact Board
15	7-80333A12	Battery Separator
16	32-80333A13	Horn Gasket, Thin
17	32-80333A14	Horn Gasket, Thick
18	1-80307A58	Complete Amplifier Assembly
19	22-80333A15	Trigger Pin
20	45-80333A16	Trigger
21	50-80333A17	Driver Unit
22	55-80333A18	Handle, Black
23		Test Jacks (for ref only)
24	32-80333A19	Handle Gasket

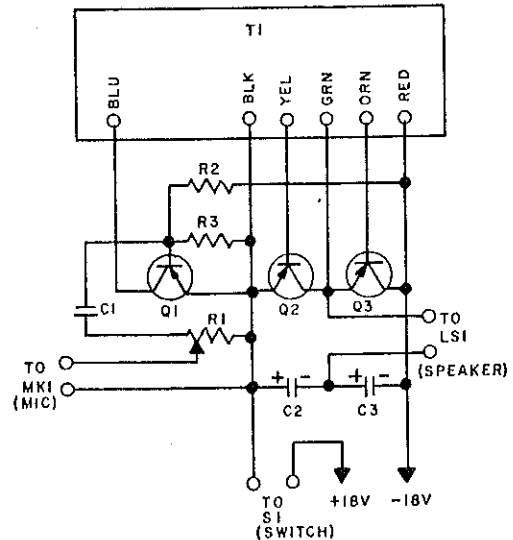
Non-Referenced Mechanical Parts

PART NO.	DESCRIPTION
1-80307A60	Riveted Cover Assembly; (includes ref. items 7, 8, 9, 11, and 14)
1-80307A59	Complete Cover Assembly, color: Two Tone Blue; (includes ref. items 3 thru 14)

Non-Referenced Items

PART NO.	DESCRIPTION
SLN-6441A	Carrying Case (Complete) (Nauahyde w/non-ferrous zipper)
SLN-6442A	Mounting Bracket Kit (Quick Action)
SLN-6443A	Battery Pack Kit (consists of 12 "C" size batteries 60-82458B01)
42-80320A88	Adjustable Shoulder Strap (black)

SCHEMATIC

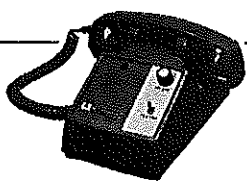


SCHE-MATIC REF.	PART NO.	DESCRIPTION
T1	25-80333A20	Transformer
C1	23-82601A30	Capacitor, Fixed, 1 MFD, 6V
C2-C3	23-83210A19	Capacitor, Fixed, 500 MFD, 12V
R1	18-80333A10	Volume Control
R2	6-125C81	Resistor 1/2 W, 22 K ohms 10%
R3	6-125C41	Resistor 1/2 W, 470 ohms 10%
Q1-Q2-Q3	48-80333A21	Transistor, 2N301
S1	40-80333A22	Switch, Micro

Specifications

Amplifier Distortion—Less than 10% at useable output pressure and less than 15% at rated output pressure.
Acoustic Output—107 dB at rated output pressure measured at 10' as specified.
Batteries—12 size "C" (Eveready #835 or equal) Motorola part number 60-82458B01.
Dimensions—13 1/2" long, 8 1/4" horn dia.
Weight—4 lbs. 2 oz. less batteries.

Handset and Speaker Parts



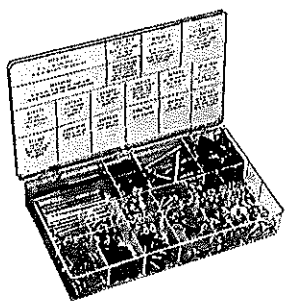
T1370 AND T1380 SERIES HANDSET REPLACEMENT PARTS

PART NO.	DESCRIPTION	PART NO.	DESCRIPTION
3-124432	Flathead screws (2 used)	30-84057A04	Coiled cord (Blue)
15-84053A01	Switch cover	30-84057A05	Coiled cord (Beige)
59-83308F01	Receiver cartridge (Replaces 59-84058A01)	30-84057A06	Coiled cord (Green)
59-83272G01	Cartridge, mic.	30-84057A07	Coiled cord (Haze beige)
7-83352H01	Handset bracket	15-84107A01	Handset housing (Black) (Replaces 15-84059A01)
40-84087A01	Switch (Black)	15-84107A02	Handset housing (White)
40-84087A02	Switch (White)	15-84059A04	Handset housing (Blue)
40-84087A13	Switch (Red) (Replaces 40-84087A03)	15-83483G05	Handset housing (Beige)
40-84087A04	Switch (Blue)	15-84025B06	Receiver Cap (Black)
40-84087A05	Switch (Beige)	15-83928C19	Receiver Cap (Beige)
40-84087A06	Switch (Green) (Replaces 40-84087A07, haze beige*)	15-84054A06	Receiver Cap (Green)
30-84057A01	Coiled cord (Black)	15-84054A07	Receiver Cap (Haze beige)
30-84057A02	Coiled cord (White)	15-84055A01	Transmitter cap (Black)
30-84057A03	Coiled cord (Red)	15-84055A03	Transmitter Cap (Red)
		15-84055A04	Transmitter cap (Blue)
		15-84055A05	Transmitter cap (Beige)
		15-84055A06	Transmitter cap (Green)

*Please save haze beige button

Mobile Speaker Parts Kit

A complete assortment of unique hardware for repair and replacement of Motorola standard mobile type speakers. 18 items in all totaling 850 parts.

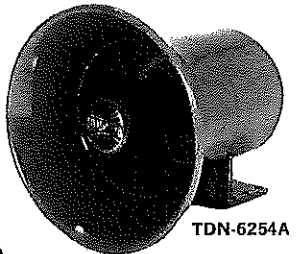


Screws, Washers, Carriage Bolts, Terminal Pins, Clamps, Etc. All parts at your fingertips when needed.

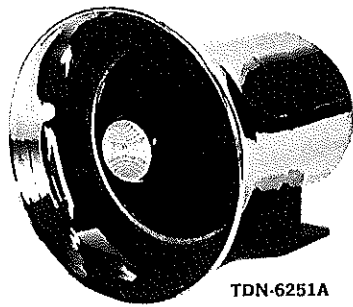
PDK-115 Speaker Hardware Kit

VOICE COIL DRIVER UNIT

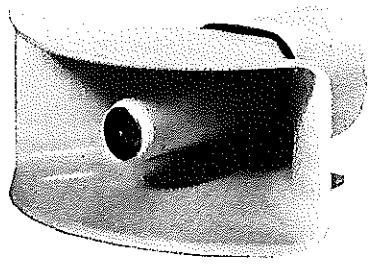
PART NO.	DESCRIPTION
RTL-4041A	Voice Coil Kit
RTL-4042A	Driver Kit



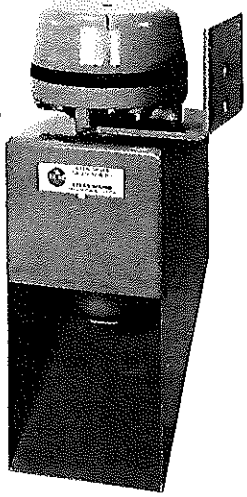
TDN-6254A



TDN-6251A

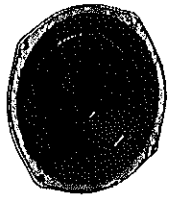


TDN-6252A



TDN-6253A

PERMANENT MAGNET SPEAKERS



PART NO.	SIZE	FRAME	OHMS	PWR WATTS	USED ON
50C 855098	2x2 3/4"	Oval	3.2	3	TU-546 Test Set
50B 893245	2 1/2"	Square	3.2	2	H & P "Handle-Talkie" Radio
50C 82774C01	3x5"	Oval	3.2	8	Business "Dispatcher" Radio D31 & D33 Z31 & Z33 "Dispatcher" Radio
50-83434B01	3 1/2"	Square	3.2	8	A.C. Utility P8263 Series Speakers "Power Voice" Speaker & TU324A
50C 800112	4"	Square	3.2	1.5	TSN6000A and TU324A series
50B 475501	4 1/2"	Round	3.2	2	T1370A series Desk Set
50C 850633	5"	Round	3.2	15	New Railroad Control Heads PT Series
50C852027	5"	Round	3.2	5	Monitor Rcvr T1370 Series
50D83205B03	3"	Square	16	2	TSN-6016B "Micor"
50D82731G01	5"	Round	8	15	
50-83205B02	3"	Square	3.2	2	
50-83566E01	2 1/4"x6 1/4"	Oval	3.2	3	
50-82929A02	3"	Square	4	8	
50-84561B01	5"	Square	8	15	

PAGING AND TALK-BACK SPEAKER REPLACEMENT PARTS FOR PDK-50 SERIES



Speaker Mounting Bracket Assemblies

PART NO.	USED ON
1P83151D98	PDK-501, 2, 12 and 13
1P83151D99	PDK-503, 4, 10 and 111
1P83043H99	PDK-505

Speaker Driver Assemblies

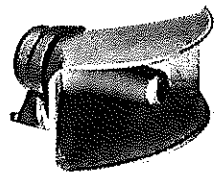
PART NO.	USED ON
50-83151D87	PDK-50-3 and 10
50-83151D88	PDK-50-4 and 11

VOICE COIL DRIVER UNIT REPLACEMENT

PART NO.	DESCRIPTION
50P83150D50	Voice Coil for TSN6009A-TSN6010A-TSN6011A

NOTE: Voice Coil Only is not replaceable.

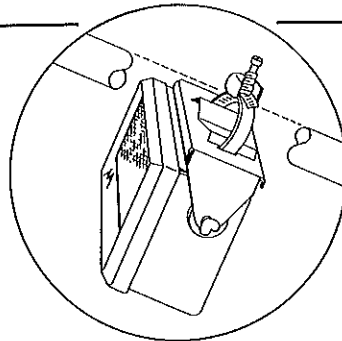
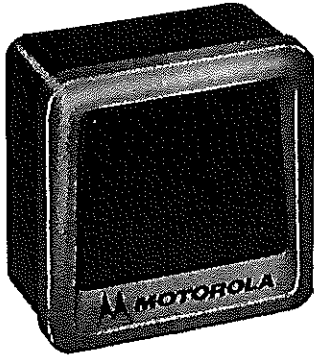
SPEAKER BELL REPLACEMENTS



PART NO.	DESCRIPTION
15P83150D48	Elliptical Bell for TSN6009A



Speakers



**TK-395
STEERING COLUMN MOUNT
ADAPTER KIT**

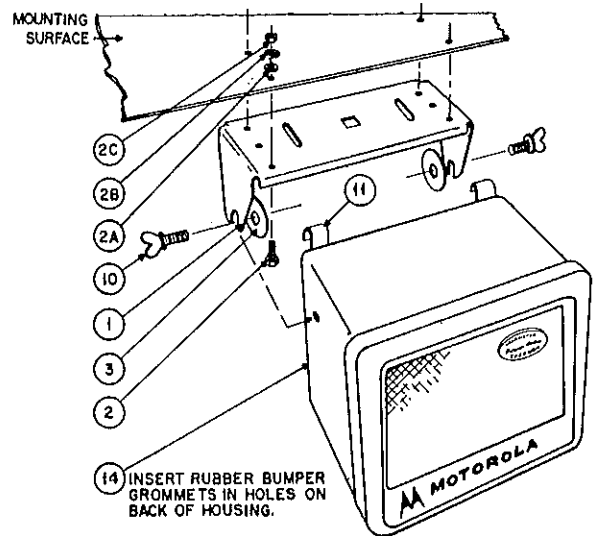
CONSISTS OF
42-848308 CLAMP, ADJUSTABLE
7-847998 BRACKET, CRADLE

MOBILE SPEAKER REPLACEMENT PARTS

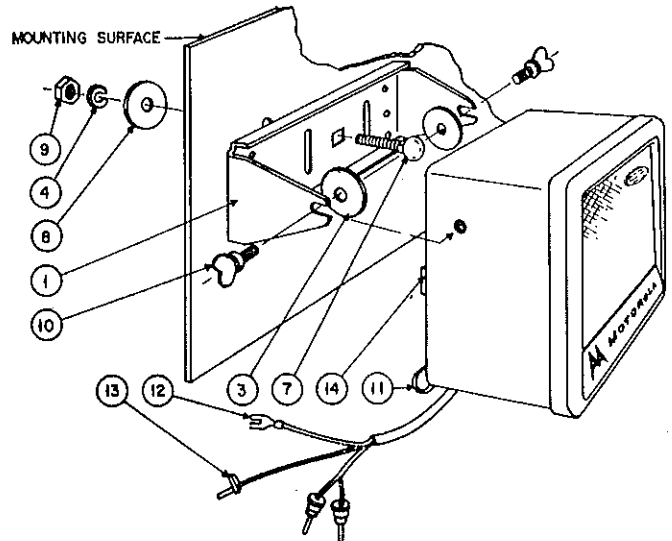
**MODELS: TSN-6000A, TSN-6013A,
TSN-6015A, TSN-6002A**

COMMON PARTS

ITEM	QTY.	PART NUMBER	DESCRIPTION
1	1	07-868484	Bracket, spkr. mounting. Replaces 7-68484
2	4	3-7312	Screw machine (8-32 x 3/4")
2A	4	4-7629	Washer, flat (1/2" x .188 x .048")
2B	4	4-7671	Lockwasher (#8 split)
2C	4	2-7003	Nut (8-32 x 5/16")
3	2	4-847649	Washer, fibre
4	1	4-119331	Lockwasher (1/4 split)
7	1	3-124070	Bolt, carriage (1/4-20 x 2 1/2")
8	1	4-122238	Washer, flat (2 1/8 x .257 x .095)
9	1	2-119495	Nut (1/4-20 x 7/16" x 9/32")
10	2	3-82278A01	Screw, wing (1/4-20 x 1 1/2")
11	2	42-80273	Clamp, cable (coated)
12	1	29-5238	Lug, soldering
13	1	29-890406	Terminal pin #6 (TU-433A)
	1	29-890404	Terminal pin #4 (TSN-6002A)
14	2	5-811898	Grommet, bumper



DASHBOARD TYPE MOUNTING



FIREWALL TYPE MOUNTING

UNIQUE PARTS

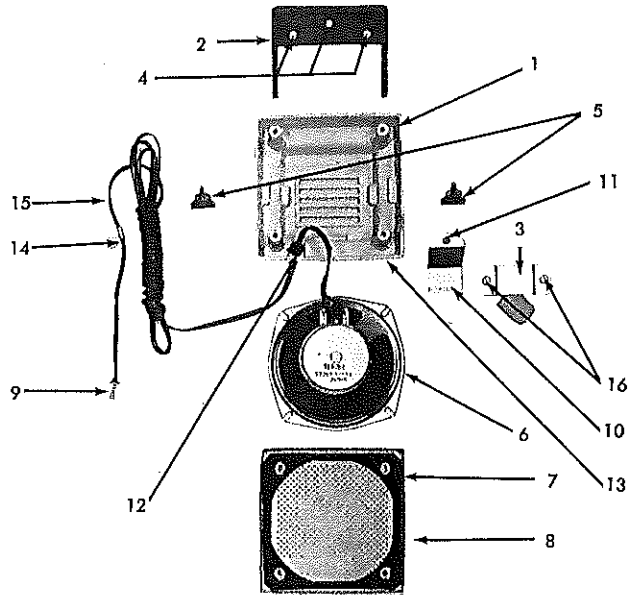
MODEL	SPEAKER	HOUSING	BEZEL	GRILL	SPEAKER GASKET	CABLE	VOL. CONT. & KNOB
TSN-6000A	50-852027	15-857969	13-857968	13-857967	32-82123B01	1-867252 (2 conductor)	
TSN-6002A	50-850633	15-857969	13-857968	13-867970	32-82123B01	1-854326 (4 conductor)	
TSN-6005A	50-852027	1-80732A62	13-857968	13-857-967	32-82123B01		38-82033B14 (plug bottom)
TSN-6006A	50-852027	1-80732A62	13-857968	13-857-967	32-82123B01		18-838263 (36-858652)
TSN-6007A	50-852027	1-80732A63	13-857968	13-857-967	32-82123B01		18-838263 (36-858652)
TSN-6013A	50-852027	13-857969	13-857968	13-857-967	32-82123B01	1-80779A65	
TSN-6015A	50-84954A01 Replaces 50-850633	15-82302H05	13-83422K01 Replaces 13-83530E02	13-83053G01		1-80704B73	

MICOR Speaker and Microphone

MICOR Speaker

Replacement Parts TSN-6016B and TSN-6020A

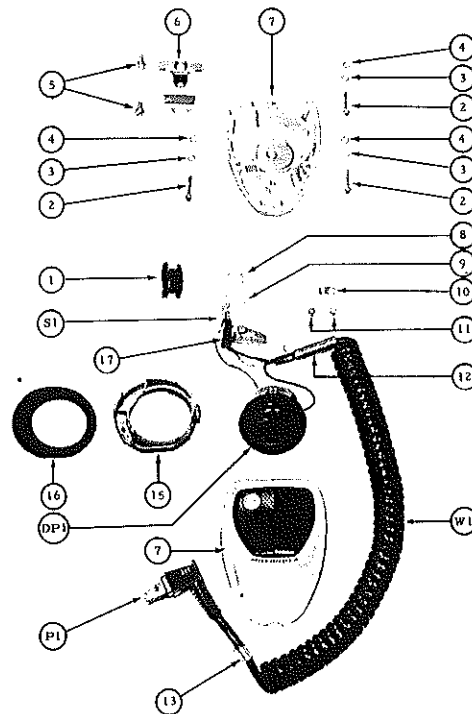
REFERENCE SYMBOL	PART NO.	DESCRIPTION
1	1-80712B91	HOUSING ASSEMBLY (rear): includes: 15-84981B01 HOUSING (rear): 3-132401 SCREW, machine: 6-32 x 7/8" Phillips round head: 4 required 42-10438A03 RING, screw retaining: 4 required
2	7-84568B01	BRACKET, trunnion
3	7-84569B01	BRACKET, wall-mount
4	3-136756	SCREW, tapping: No. 10 x 5/8" plain hex head: 3 required
5	03-84244C01	THUMBSCREW, machine: 10-32 x 3/8"; 2 required Replaces 3-84549B01
6	50-84561B01	LOUDSPEAKER, magnetic: 5" "pincushion" type: 15 Watt
7	32-84564B01	GASKET, speaker-mounting
8	13-84151C01	HOUSING, speaker (front)
9		CONNECTOR, plug: female: consists of: 14-84566B01 BODY, connector: 9-84151B01 TERMINAL, contact: 2 required
10	7-84567B01	BRACKET, hanger
11	3-121103	SCREW, machine: 6-32 x 3/8" Phillips round head
12	42-82018H05	RETAINER, cable entrance
13	33-82599D01	NAMEPLATE
14	42-84081A03	CLAMP, cable: includes "S" hook



REFERENCE SYMBOL	PART NO.	DESCRIPTION
15	1-80709B98	CABLE ASSEMBLY: includes 8 ft. 30-83155H01 CABLE for TSN-6016B,
	1-80717B50	25 ft. for TSN-6020A 2-conductor: each conductor No. 18 ga. stranded ("zip" cord); also includes items 9 and 14
16	3-3360	SCREW, tapping: 6-20 x 1/2" plain hex head: 2 required

TMN-6111A, TMN-6054A MICOR Microphone

REF. NO.	PART NUMBER	DESCRIPTION
1	38-84559B01	Pushbutton
2	03-132436	Screw, machine; No 6-32 x 1/16" (3 req'd)
3	04-7669	Washer; lock; No 6 split; (3 req'd)
4	04-114201	Washer, flat; 1/4" x 0.156" x 0.015" (3 req'd)
5	03-122830	Screw, tapping; No 8 x 1/2" (2 req'd)
6	01-851094	Bracket & Spring Assy. (eyeleted)
7	01-80709B93	Housing, microphone (rear) TMN-6054A (Pearl)
	01-80720A95	Housing, microphone (rear) TMN-6111A (Black)
8	03-129498	Screw, lock; No 6-32 x 3/8" "Phillips" round head
9	04-7666	Lockwasher; No 6 external
10	42-852710	Strap; strain relief
11	03-124693	Screw, lock; No 6-32 x 1/4" "Phillips" round head (2 req'd)
12	41-852707	Spring, strain relief (p/o W1)
13	42-893647	Clamp, cable "S" hook (p/o W1)
14	15-82701B12	Cover, microphone (front) TMN-6054A (Pearl)
	15-82701B03	Cover, microphone (front) TMN-6111A (Black)
15	42-82702B02	Retainer, cartridge
16	32-82703B01	Gasket, neoprene
17	11-2506	Tubing, No 9 black; (5" length req'd)

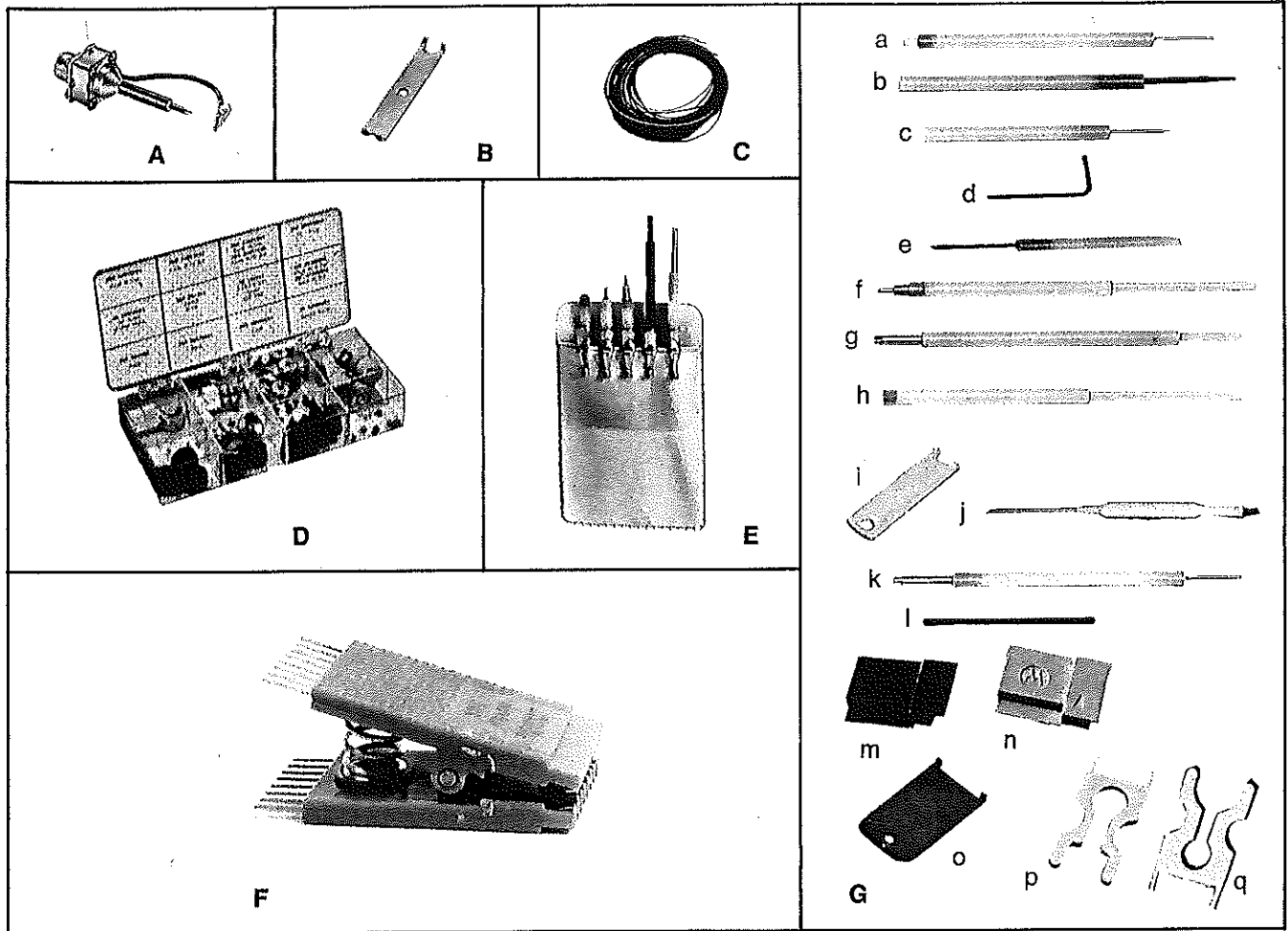


Non-Referenced Items

PART NUMBER	DESCRIPTION
59-83272G01	
or	
59-84013A01	Cartridge, microphone; dynamic: includes
or	
59-82933C01	transistor preamplifier
or	
59-82933C02	

PART NUMBER	DESCRIPTION
01-84135C01	Cord, microphone; coiled
40-82263G02	Switch, push; dpst
29-83277G02	Lug, insulation piercing; (4 req'd) (p/o W1)
33-82599D01	Nameplate
13-84559B01	Emblem

Portable/Paging Tools



RF Cable Adaptor

A Properly couples the output of the signal generator directly to the RF stages in transistorized receivers for making stage gain measurements.

TEK-10 RF Cable Adaptor

Antenna/Control Wrench

B Used to remove the antenna and to remove nuts on squelch and volume control pots. (HT-220 and MX300 series)

55-84777H01 Antenna/Control Wrench

Teflon Wire Kit

C An assortment of the most frequently used miniature wires found in pocket receivers, transmitters, etc. Wire supplied is special #26 gauge.

PDK-102 Teflon Wire Kit

Portable Radio Knob Kit

D Nearly 100 knobs, set screws, etc. for Motorola portable products in a convenient, 12-section, "see-thru" plastic box.

PDK-361 Portable Radio Knob Kit

Handie-Talkie Radio Tuning Tool Kit

E An assortment of 5 tuning tools for Motorola's Portable HANDIE-TALKIE Radio equipment. Consists of 66-835717, 66-847036, 66-83137C01, 66-82186E01, and 66-835721. With this assortment, you receive FREE a pocket protector and 5 pencil type clips.

PDK-6610 Tuning Tool Kit

Dip-Clip

F The "Dip-Clip" is specially designed to allow the attachment of test probes to 14 or 16 lead DIPS (Dual In-Line Packages). The unique, patented design greatly reduces the possibility of accidental shorting while testing live circuits. Numerous test probes may be quickly connected for hands-free testing.

ST-1190 Dip-Clip

Miscellaneous Tools

G Alignment tools for servicing personal portable products. See application guide on facing page for equipment and kit number cross reference.

- (a) **66-82186E01** Tuning Tool
- (b) **66-82824C05** Tuning Tool
- (c) **66-82846D01** Tuning Tool
- (d) **66-83006J01** Spline Wrench (.08)
- (e) **66-83034A01** Tuning Tool
- (f) **66-83137C01** Tuning Tool
- (g) **66-834682** Tuning Tool
- (h) **66-835721** Tuning Tool
- (i) **66-84033H01** Service Tool
- (j) **66-84387C01** Hex Tuning Tool with Screwdriver Tip (Replaces 66-83256C02)
- (k) **66-847036** Tuning Tool
- (l) **66-835717** Tuning Tool (Replaces 66-850443)
- (m) **66-05134A01** Cover Removal Tool, shadow blue, DNC covers
- (n) **66-05134A02** Cover Removal Tool, white, CAC covers
- (o) **66-05170A01** Active Filter Removal Tool
- (p) **66-05180B01** Code Plug Extractor
- (q) **66-05389B01** Code Plug Extractor

Alignment Tool Cross Reference Chart



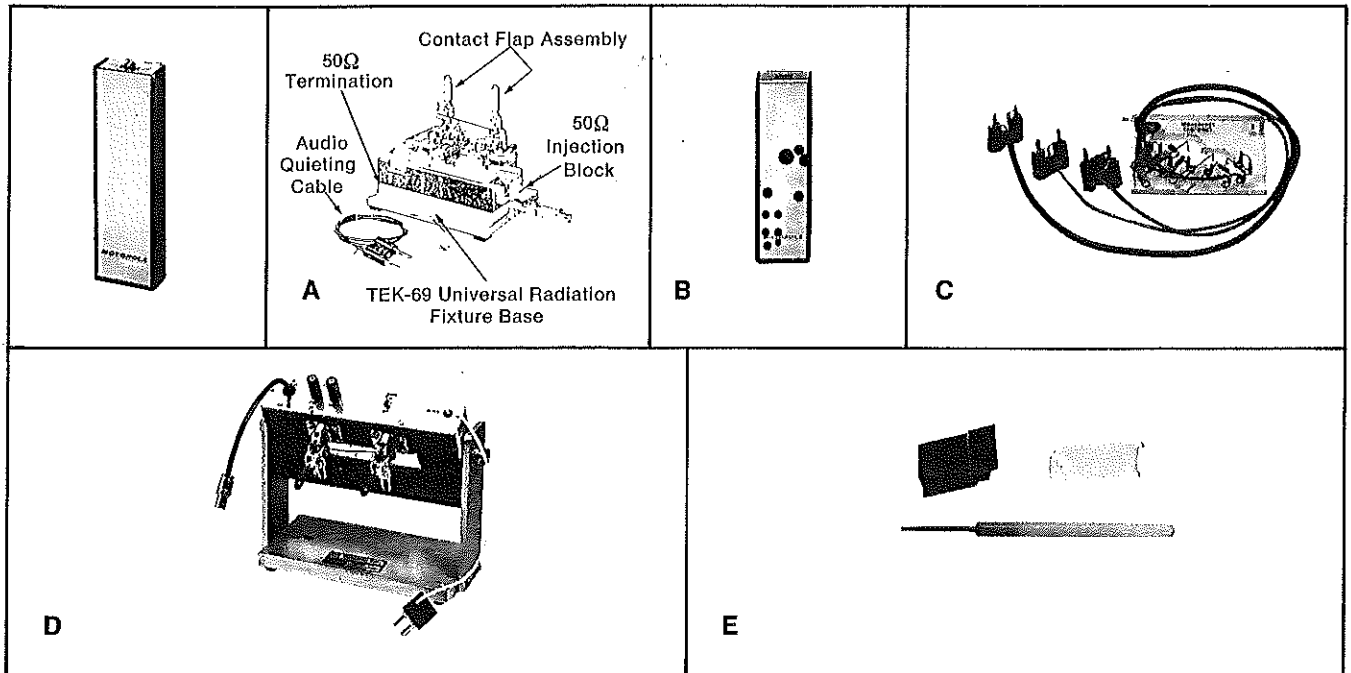
TOOL	PART OF KIT NO.	MODEL USED ON
66-8186E01 Alignment Tool	NLN-6245A	P23DEN -- PT Series H01BNC -- PAGEBOY I Pager A03EAC -- PAGECOM Pager A01EAC -- PAGECOM Pager H01EAB -- MINITOR Pager H03EAB -- MINITOR Pager A01GBC -- DIRECTOR Pager A03GBC -- DIRECTOR Pager H23DEN -- HT-200
	NLN-6252A	H21 & H23DCN -- HT-200
	NLN-6429A	P33 & P43DEN -- PT Series
	NLN-6470A	H24DCN -- HT-200
	NLN-6689A	H13FFN -- HF-100 H23, H24 & H34FFN -- HT-220 H33FFV -- HT-220 CONVERTA-COM Radio
	NLN-6790A	H03BNC -- PAGEBOY I Pager
	NLN-8008A	H21TTN -- HANDIE-COM
	NLN-8418A	H23RRB & RRU -- HANDIE-COM H23TTB & TTU -- HANDIE-COM H33RRB & RRU -- HANDIE-COM
	NLN-8542A	A04EAC -- PAGECOM Pager H04EAB -- MINITOR Pager A04GBC -- DIRECTOR Pager
	NLN-8581A	A01CAC -- PAGEBOY II Pager
NLN-8607A	A01MEC -- METRO-PAGEBOY Pager	
NLN-8820A	MX-300 -- HANDIE-TALKIE	
NLN-8943A*	A01MAC -- METRO-PAGEBOY Pager A01TEC -- METRO-PAGEBOY Pager	
66-835717 Alignment Tool (Replaces 66-850443)	NLN-6252A	H23DCN -- HT-200 H21DCN -- HT-200
66-835721 Alignment Tool	NLN-6429A	P43DEN -- PT Series P33DEN -- PT Series
66-83034A01 Alignment Tool	NLN-6689A	H13FFN -- HT-100 H23, H24 & H34FFN -- HT-220 H24 & H34FFP -- HT-220 CONVERTA-COM Radio (VHF) H33FFV -- HT-220 CONVERTA-COM Radio (UHF)
	NLN-8418A	H23RRB -- HANDIE-COM
	NLN-8542A	A04EAC -- PAGECOM Pager H04EAB -- MINITOR Pager A04GBC -- DIRECTOR Pager
	NLN-8790A	H03BNC -- PAGEBOY I Pager
	NLN-6968A	A03DNC -- PAGEBOY II Pager
	NLN-6968A	A03DNC -- PAGEBOY II Pager
	NLN-8473A	A03CAC -- PAGEBOY II Pager A03FNC -- PAGEBOY II Pager
	NLN-8512A	A03MEC -- METRO-PAGEBOY Pager
	NLN-8633A	A03TEC -- METRO-PAGEBOY Pager A03MAC -- METRO-PAGEBOY Pager
	NLN-8581A	A01CAC -- PAGEBOY II Pager
NLN-8607A	A01MEC -- METRO-PAGEBOY Pager	
NLN-8943A*	A01MAC -- METRO-PAGEBOY Pager A01TEC -- METRO-PAGEBOY Pager	
NLN-6968A	A03DNC -- PAGEBOY II Pager	
NLN-8473A	A03CAC -- PAGEBOY II Pager A03FNC -- PAGEBOY II Pager	
NLN-8512A	A03MEC -- METRO-PAGEBOY Pager	
NLN-8633A	A03TEC -- METRO-PAGEBOY Pager A03MAC -- METRO-PAGEBOY Pager	
66-84387C01 Alignment Tool (Replaces 66-83256C02)	NLN-8008A	H21TTN -- HANDIE-COM
NLN-8008A	H21TTN -- HANDIE-COM	
NLN-8418A	H23RRB, TTU & RRU -- HANDIE-COM H33RRB & RRU -- HANDIE-COM	
NLN-8512A	A03MEC -- METRO-PAGEBOY Pager	
NLN-8607A	A01MEC -- METRO-PAGEBOY Pager	
NLN-8633A	A03TEC -- METRO-PAGEBOY Pager A03MAC -- METRO-PAGEBOY Pager	
NLN-8943A*	A01MAC -- METRO-PAGEBOY Pager A01TEC -- METRO-PAGEBOY Pager	
66-05599E01 Alignment Tool	NLN-4605A	MT500 Series -- HANDIE-TALKIE
66-05607E01 Alignment Tool	NLN-4605A	MT500 Series -- HANDIE-TALKIE
66-05698C01 Module Push Tool	ST-1181	MX300 Series -- HANDIE-TALKIE
66-05698C01 Alignment Tool	ST-1179	MX300 Series -- HANDIE-TALKIE

TOOL	PART OF KIT NO.	MODEL USED ON	
66-05832B01 Alignment Tool	ST-1158	A04FNC -- PAGEBOY II Pager A04CAC -- PAGEBOY II Pager	
66-80329A63 & NLN-4681A Alignment Tool	RSX-4003A	A01DVC -- DIMENSION IV Pager A03DVC -- DIMENSION IV Pager A04DVC -- DIMENSION IV Pager A01JVC -- SPIRIT Pager A03JVC -- SPIRIT Pager A04JVC -- SPIRIT Pager	
66-80324A34 & 66-80329A63 & 66-5552E01 & ST-1158	ST-1358A	A01AGC -- METRX Pager A03AGC -- METRX Pager A04AGC -- METRX Pager	
RADIO MODEL NUMBER SERIES		ALIGNMENT TOOL KIT	TOOLS
P23DEN -- PT Series H01BNC -- PAGEBOY I Pager A03EAC -- PAGECOM Pager H23DEN -- HT-200 A01EAC -- PAGECOM Pager H01EAB -- MINITOR Pager H03EAB -- MINITOR Pager A01GBC -- DIRECTOR Pager A03GBC -- DIRECTOR Pager	NLN-6245A	66-82186E01 -- Alignment Tool	
H23DCN -- HT-200 H21DCN -- HT-200	NLN-6252A	66-82186E01 Alignment Tool 66-835717 Alignment Tool (Replaces 66-850443)	
P33DEN -- PT Series P43DEN -- PT Series H24DCN -- HT-200	NLN-6429A	66-835721 Alignment Tool 66-82186E01 Alignment Tool	
H13FFN -- HT-100 H23FFN -- HT-220 H24FFN -- HT-220 H34FFN -- HT-220 H33FFP -- HT-220 PSE Unit H34FFP -- HT-220 PSE Unit H33FFV -- HT-220 CONVERTA-COM Radio (VHF) H34FFV -- HT-220 CONVERTA-COM Radio (UHF)	NLN-6689A	66-82186E01 Alignment Tool (Metal) 66-83034A01 Alignment Tool	
H03BNC -- PAGEBOY I Pager	NLN-8790A	66-84033H01 Service Tool 66-82186E01 Alignment Tool (Metal) 66-82824C05 Alignment Tool	
A03DNC -- PAGEBOY II Pager	NLN-6968A	66-05134A01 Cover Release Key 66-05134A02 Cover Release Key 66-05170A01 Active Filter Removal Tool 66-82824C05 Alignment Tool	
H21TTN -- HANDIE-COM	NLN-8008A	66-84387C01 Alignment Tool (Replaces 66-83256C02) 66-82186E01 Alignment Tool 66-83006J01 Spline Wrench (.060)	
H33RRU & RRB H23RRB TTU & TTU -- HANDIE-COM	NLN-8418A	66-82186E01 Alignment Tool 66-83034A01 Alignment Tool 66-83006J01 Spline Wrench (.060)	
A03CAC -- PAGEBOY II Pager A04CAC -- PAGEBOY II Pager	NLN-8473A	66-05134A02 Cover Release Key 66-05170A01 Active Filter Removal Tool	
A03FNC -- PAGEBOY II Pager	ST-1158A	66-82824C05 Alignment Tool 66-05832B01 Alignment Tool (For A04CAC only)	
A03MEC -- METRO-PAGEBOY Pager	NLN-8512A	66-05134A02 Cover Release Key 66-05180B01 Code Plug Extractor 66-82824C05 Alignment Tool	
A04EAC -- PAGECOM Pager H04EAB -- MINITOR Pager A04GBC -- DIRECTOR Pager	NLN-8542A	66-82186E01 Alignment Tool 66-83034A01 Alignment Tool	
A01CAC -- PAGEBOY II Pager	NLN-8581A	66-05134A02 Cover Release Tool 66-05170A01 Active Filter Removal Tool 66-82186E01 Alignment Tool	
A01MEC -- METRO-PAGEBOY Pager	NLN-8607A	66-05134A02 Cover Release Key 66-05180B01 Code Plug Extractor 66-82186E01 Alignment Tool	
A03TEC -- METRO-PAGEBOY Pager A03MAC -- METRO-PAGEBOY Pager	NLN-8633A	66-05134A02 Cover Release Key 66-05389B01 Code Plug Extractor 66-82824C05 Alignment Tool	
A04FNC -- PAGEBOY II Pager MX300 -- HANDIE-TALKIE	ST-1158	66-05832B01 Alignment Tool	
	NLN-8820A	66-82186E01 Alignment Tool 66-05698C01 Alignment Tool 66-05699C01 Module Push Tool	
	ST-1181		
	ST-1179		
MT500 -- HANDIE-TALKIE	NLN-4605A	66-05607E01 Alignment Tool, Channel Elements & Coils 66-05599E01 Alignment Tool, Presetor	
A01DVC -- DIMENSION IV Pager A03DVC -- DIMENSION IV Pager A04DVC -- DIMENSION IV Pager A01JVC -- SPIRIT Pager A03JVC -- SPIRIT Pager A04JVC -- SPIRIT Pager	RSX-4003A	66-80329A63 Alignment Tool NLN-4681A Chassis Removal Tool	
A01MAC -- METRO-PAGEBOY Pager A01TEC -- METRO-PAGEBOY Pager	NLN-8943A*	66-05134A02 Cover Release Tool 66-5398B01 Code Plug Extractor 66-82186E01 Alignment Tool	
A01AGC -- METRX Pager A03AGC -- METRX Pager A04AGC -- METRX Pager	ST-1358A	66-80324A34 Extractor Tool 66-80329A63 Alignment Tool 66-5552E01 Service Tool ST-1158 Alignment Tool (same as 66-5832B01)	

* Please order piece parts



Pager Service Aids



Radiation/Alignment Fixtures

A These fixtures provide an efficient and convenient means of holding PAGEBOY and METRO-PAGEBOY Receivers for servicing. A radiating element in each fixture provides for correlated signal measurements. Built-in RF connectors provide ready access to RF input terminals for additional sensitivity measurements. The TEK-69 universal radiation alignment fixture provides a controlled RF source which can be used directly or with adapters and contact flaps to radiation test a number of different paging receivers. It is a broadband RF radiation source which includes the TEKA-99, 50 ohm termination. The TEKA-100, 20db pad is recommended for use at the input to the fixture to properly terminate the RF cable from the generator.

Radiation Fixture Accessories

Various accessories items are available for use with the radiation fixtures to facilitate servicing. Descriptions are given in the accompanying chart.

TEK-69 Radiation/Alignment Conversion Kit

Provides hardware and instructions to field convert the older cam type TEK-69 fixtures to the new shutter type actuator mechanism for a more positive means of operating the radios on/off switch.

PK-796 Conversion Kit

Alignment Housing Kits

B Alignment Housing Kits provide standard pager housings which enable proper alignment of the pager in the appropriate Radiation Fixture.

Contact Flap Assemblies

C Use of these assemblies facilitates connections to the test points (power and metering points) on the receiver board. Connections are made through access holes in the Alignment Housing Kits. Used in conjunction with radiation fixture.

Analyzing Test Fixtures

D Use the Analyzing Test Fixture to service pager circuit boards outside of the pager housing. In addition to holding the circuit boards for convenient servicing, the test fixtures provide connections for power input, metering, RF, and audio for servicing.

Alignment Tool Kits

E Contains alignment tool and accessories necessary for proper alignment of pager.

Service Aids Kits

TEK-62 For A03FNC pager. Consists of TEK-69, TEKA-89, TEKA-95, TEKA-97, and TEKA-99.

TEK-63 For A04FNC pager. Consists of TEK-69, TEKA-90, TEKA-96, TEKA-98, and TEKA-99.

RTX-1000A For DVC series pagers. Consists of RTL-4007A, RTL-4008A and RSX-4003A.

RTX-1001A For JVC series pagers, consists of RTL-4007A, RTL-4022A, and RSX-4003A.

SLN-6435A Isolation transformer used in conjunction with RTX-1000A and RTX-1001A.

TEK-77 For A04CAC pager. Consists of TEK-69, TEKA-96, TEKA-105 and TEKA-99.

Fixture Accessories

TEKA-95 50 ohm injection block to couple signal directly into pager.

TEKA-96 50 ohm injection block to couple signal directly into pager.

TEKA-93 50 ohm injection block to couple signal directly into pager.

TEKA-108 50 ohm injection block to couple signal directly into pager.

TEKA-97 Audio quieting cable for A03FNC. Required for 20dB quieting measurements.

TEKA-98 Audio quieting cable for A04FNC. Required for 20dB quieting measurement.

TEKA-100 20dB, 50 ohm pad prevents excessive signal from over driving pager.

58-80322A17 6dB pad

TEK-67 DC amplifier to permit alignment of A04FNC pagers using a general purpose oscilloscope having input sensitivity of 10mv/div. or more.

TEKA-83 Audio adaptor cable provides a 3.9 ohm termination for the audio output of a pager to an ac voltmeter.

1-84203D32 Inter-connect cable assembly to inter-connect the two PC boards in a pager for servicing.

30-84875H01 RF adaptor cable incorporates female receptacle and jack to connect pager to signal generator.

RTL-4007A Pager holding basket for use with TEK-69, TEKA-100, and TEKA-99.

TEKA-99 50 ohm termination.

TEKA-107 Used to hold pager in TEK-69. Includes contact flap.

TEKA-109 Interconnect cable from receiver board to decoder board (for METRX AGC Series).



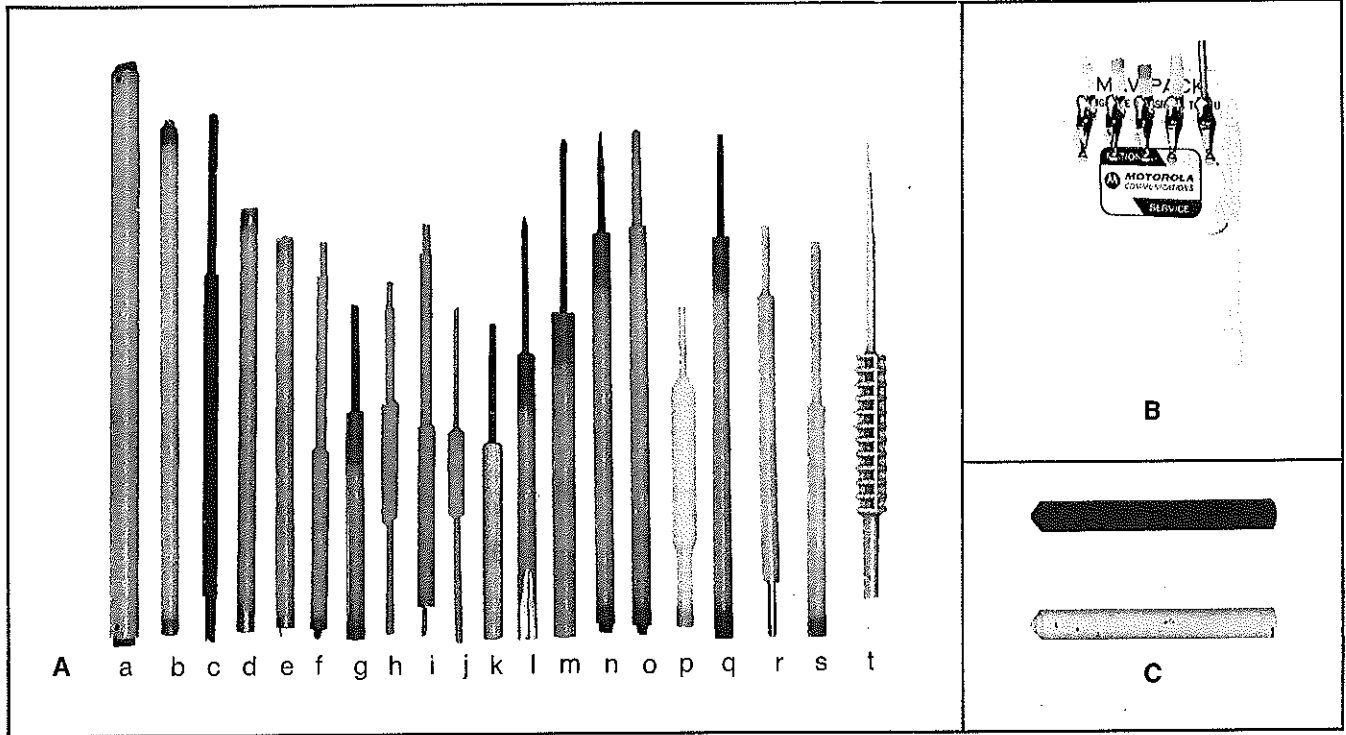
Pager Service Aids Cross Reference

Tone & Voice Pagers

Tone Alert Pagers

	Tone & Voice Pagers														Tone Alert Pagers																																						
	Service Aids	A03DNC		A03FNC	A04FNC	A07EAC		A03EAC	A04EAC	H01EAB		H03EAB	H04EAB	A01GBC	A02GBC	A04GBC	A01DVC	A03DVC	A04DVC	A01JVC	A03JVC	A04JVC	Service Aids	A01CAC		A02CAC	A04CAC	A01MEC	A03MEC "A"		A03MEC "B" (5)	A01MAC	A03MAC	A01TEC	A03TEC (8)	A01AGC	A03AGC	A04AGC															
Radiation Fixture	NEN-6076A	X																					NEN-6076A	X																													
	TEK-69		X(1)	X(2)												X	X	*	X	X	*		NEN-6080A					X	X																								
	TEK-49(3)					X	X																NEN-6084A	X			X																										
	TEK-59(4)							X															TEK-69		X			X	X	X	X	X	X				X	X	X														
	TEK-74(5) (8)							X	X			X	X																																								
	TEK-76(5) (6)											X				X																																					
		1-84208D91	X																				1-83554F24				X																										
Contact Flap	TEKA-89		X(1)																			1-84206D92		X																													
	TEKA-90			X(2)																		1-84207D80	X																														
																							TEKA-86				X	X													X												
																							TEKA-84																		X												
																							TEKA-101							X																							
																							TEKA-103								X																						
																							TEKA-104(9)						X																								
																							TEKA-105		X																												
																							RTL-4019A(8)																X														
																								TEKA-93					X	X	X	X	X																				
Radiation Fixture Accessories (see accompanying descriptions)	TEKA-95		X(1)																			TEKA-86		X																													
	TEKA-96			X(2)																		TEKA-100			X																X	X	X										
	TEKA-97		X(1)																			TEKA-99		X			X	X	X	X	X											X	X	X									
	TEKA-98			X(2)																		TEKA-100		X			X	X	X	X	X												X	X	X								
	TEKA-99		X(1)	X(2)													X	X	X	X	X		TEKA-107A																			X	X										
	TEKA-100		X	X																			TEKA-109																				X	X									
	58-80322A17		X	X													X	X	X	X	X		RTL-4004A																														
	TEK-67		X																																																		
	TEKA-83				X	X	X	X	X	X	X	X	X	X	X	X																																					
	1-84203D32				X	X	X	X	X	X	X	X	X	X	X																																						
	3D-84875H01				X	X	X	X	X	X	X	X	X	X	X																																						
	RTL-4007A															X	X	*	X	X	*																																
		NEN-6077A	X																				NEN-6078A		X																												
	NEN-6086A			X																		NEN-6079A				X																											
	NEN-6087A		X																			NEN-6081A		X																													
	15-84203D33					X																NEN-6083A			X																												
	15-05391B01						X															NEN-6085B																															
	15-05652D01						X	X	X	X	X	X	X	X								NEN-6089A																															
	RTL-4008A														X	X	X					NEN-6091A				X		X																									
	15-06202D01				X																	NEN-6094A						X																									
	RTL-4022A																X	X	X			NEN-8000A		X																													
																						NEN-8002A																															
Analyzing Fixture	TEK-60	X																				TEK-61		X																													
	TEK-64		X																			TEK-56		X																													
	TEK-65			X																		TEK-58				X																											
	TEK-54																																																				

Tuning Tools



Tuning Tools

A See Personal Portable Service Aids Section for additional Tuning Tools.

- (a) 66-84645 For 1/4 KW final amplifiers. Has metal blade ends; length: 8 1/4".
- (b) 66-810479 Has recessed metal slot on one end; other end has 1/8" metal screwdriver tip; length, 7 1/4".
- (c) 66-835717 One end has hex body with screwdriver tip; other end has plain hex tip; length, 7 1/2".
- (d) 66-891488 One end has recessed metal screwdriver. Other end has metal recessed slot; length, 6".
- (e) 66-891487 One end has metal screwdriver blade; other end has recessed metal screwdriver blade; length, 5 3/8".
- (f) 66-859078 One end has hex tip; other end has screwdriver metal blade; length, 5 3/8".
- (g) 66-863627 One end has special screwdriver tip; other end has recess metal slot; length, 4 3/4".
- (h) 66-824842 Both ends have 3/4" hex tips; length, 5".
- (i) 66-83398A01 One end has metal screwdriver blade; other end has 3/4" hex tip; length, 5 7/8".
- (j) 66-83395A01 Both ends have 3/4" hex tips; length, 4 3/4".
- (k) 66-825015 Has special 3/8" square end; length, 4 1/2".
- (l) 66-83034A01 One end has 1/4" screwdriver blade; other end has 1/8" screwdriver blade; length, 6".
- (m) 66-83033A01 One end has 1/8" hex tip with screwdriver blade extended from hex tip; other end has 1/4" recessed head; length, 7".
- (n) 66-82824C01 One end has 3/16" special metal screwdriver blade; other end has pointed 3/8" special screwdriver blade; length, 7".
- (o) 66-82825C01 One end has metal screwdriver blade; other end has 3/4" hex tip; length, 7".
- (p) 66-83254C01 Has recessed metal slot on one end; other end has 3/8" wide screwdriver blade. Length, 4 3/4".
- (q) 66-82824C04 One end has 1/4" metal screwdriver blade; other end has 3/8" special pointed screwdriver blade; length, 7 1/8".
- (r) 66-834682 One end has 1/8" screwdriver blade; other end has metal recessed oval opening; length; 5 3/4".
- (s) 66-835721 One end has 3/16" screwdriver blade; other end has metal recessed slot; length, 5 1/2".
- (t) 66-82977K01 One end has a double hex 3/4" and 3/8" and a 1/4" wide screw driver tip; other end has special 1/8" wide metal blade with "V" groove. Length 7 1/4". For "Maxar" radio. Also replaces 66-83255C01, 66-83256C01, and "Micor"/"Triton" 66-83256C02.

MICOR Radio Tuning Tool Kit

Contains three tools for servicing "Micor" radios. Includes of tuning tool 66-82977K01 (Fig. t above), contact removal tool 66-84690C01, and cable routing tool 66-84953C01.

TLN-4301A Tuning Tool Kit

MOTRAC/MOTRAN Radio Tuning Tool Kit

Contains 2 tools for servicing MOTRAC and MOTRAN series radios. Kit consists of figures p and t.

TLN-6845A Tuning Tool Kit

BUSINESS DISPATCHER Tuning Tool Kit

Contains 3 tools for servicing models D31 & D33BMT, CMT series of the "Business Dispatcher" radios. Consists of figures n, o, and r.

TLN-6658A Tuning Tool Kit

Monitor Receiver Tuning Tool Kit

Contains 3 tools for servicing LO1 & LO3 monitor receiver series. Consists of figures h, k, and r.

TLN-6067A Tuning Tool Kit

Standard Mobile Tuning Tool Kit

Kit consists of figures c, g, and r.

TK-578 Tuning Tool Kit

Tuning Tool Kit

B Here's an assortment of five of the most commonly used tuning tools to meet most servicemen's routine needs. The tools are offered in a convenient pocket-carrier kit with pencil-type clips with each tool.

PDK-6612 assortment includes: (s) 66-835721, (f) 66-859078, (g) 66-863627, (e) 66-891487, and (r) 66-847036.

PDK-6612 Tuning Tool Kit
42-82749D01 Pencil-type clips 10/pk

Vinyl Touch-Up Sticks for MICOR Base Stations

C

PART NO.	DESCRIPTION	USED ON
11-84454E01	Shadow White	MICOR Indoor Cabinet
11-84454E02	Shadow Bronzo	MICOR Indoor Cabinet

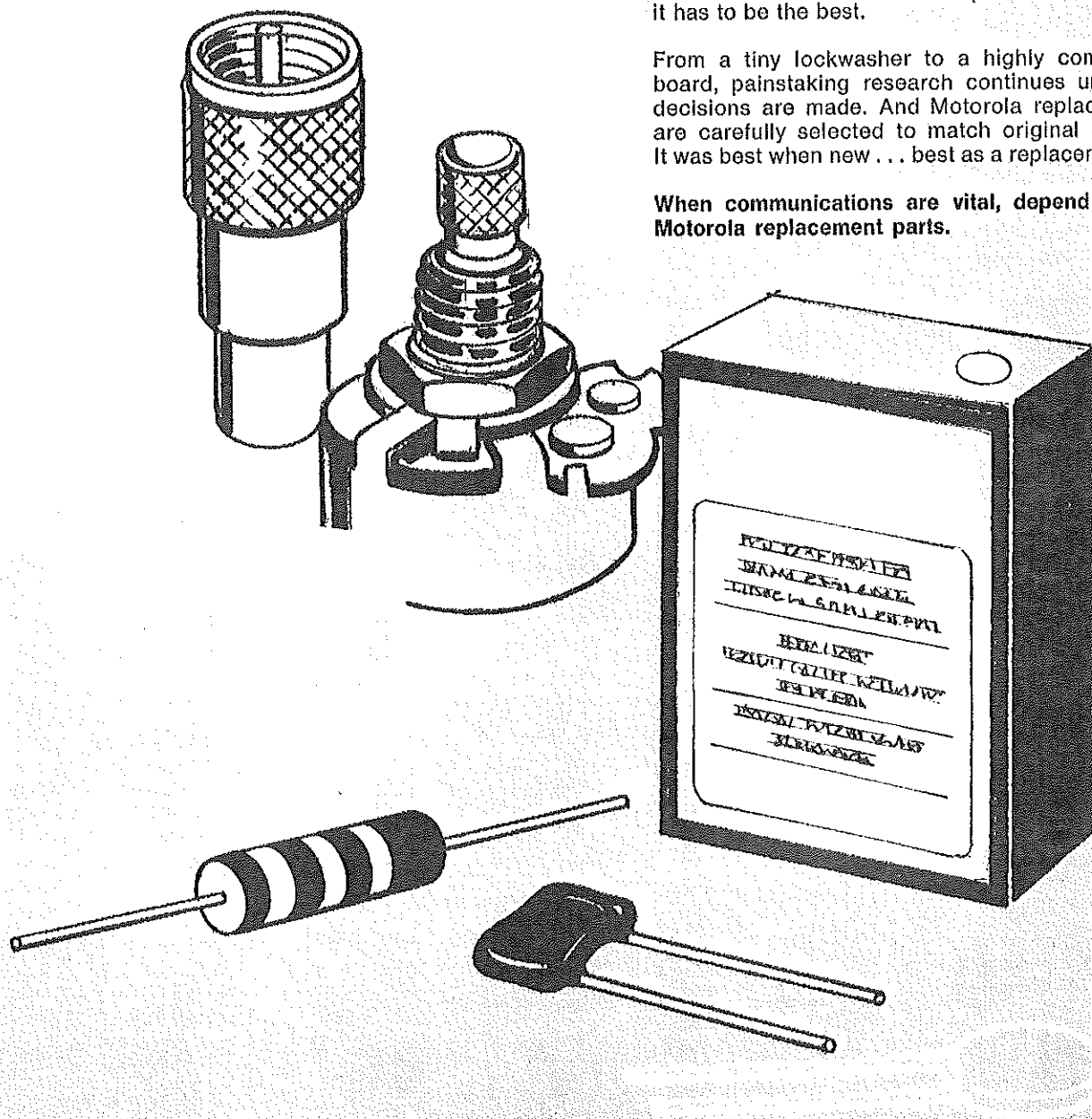
Replacement Parts

- Selected and Designed for Communication Equipment
- Convenient Assortments and Kits
- Quality Protection That Never Ends
- Ordering Convenience

Since its pioneering days in radio communications, the laboratory has been the focal point in Motorola operations. Test . . . investigate . . . research . . . select . . . test again . . . evaluate. Being "better" is not enough—it has to be the best.

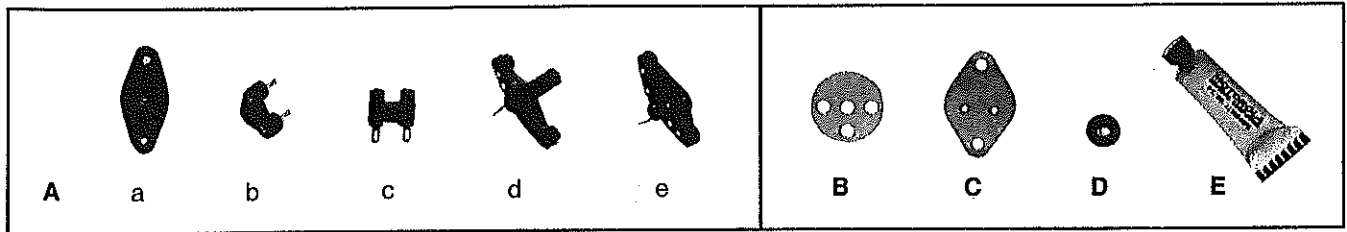
From a tiny lockwasher to a highly complex circuit board, painstaking research continues until the final decisions are made. And Motorola replacement parts are carefully selected to match original components. It was best when new . . . best as a replacement too!

When communications are vital, depend on genuine Motorola replacement parts.





Transistor and Diode Mounting Kits and Accessories



Transistor and Diode Mounting Kit and Accessories

Transistor Sockets

A 2 pin, molded sockets.

- 9-850066 (a)
- 9-851303 (b)
- 9-82287A01 (c)
- 9-82377H01 (d)
- 9-82673A01 (e)

Transistor Insulators

B Insulators for stud-type power transistors.

- 14-851751 1" diameter x .002 thick.
- 14-865820 1 1/4" diameter x .002 thick.

C Insulators for standard power transistors with 1 3/8" mounting centers.

- 14-82399B01 3/2" lead holes and 3/2" mtg. holes x .002 thick
- 14-857437 1/4" lead holes and 3/2" mtg. holes x .002 thick
- 14-865875 3/2" lead holes and 3/2" mtg. holes x .005 thick
- 14-868505 3/2" lead holes and 3/2" mtg. holes x .005 thick

Transistor Shoulder Washers

D Shoulder washers for insulating mounting bolts or studs for power transistors.

- 14-857512 For #4 bolt to mount in 3/2" chassis hole.
- 4-868830 For #6 bolt to mount in 3/2" chassis hole.
- 4-852296 For #8 & 10 to mount in 1/4" chassis hole.

Silicone Compounds

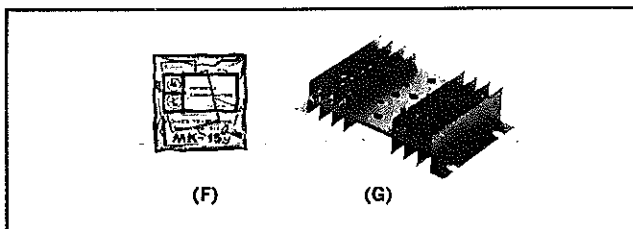
E Recommended when installing power transistors, sealing antenna and R.F. connections, weatherproofing ignition systems or can be used as a lubricant for switches, cams, etc.

- 11-834678 1/4 oz. tube
- 11-490487 8 oz. tube

Heat Sink Compounds

Grease-like silicone material, heavily filled with heat-conductive metal oxides provides high thermal conductivity.

- 11-10027A26 Dow Corning, 5 oz. tube
- 11-83168A01 Wakefield, 1/4 oz. tube



TRANSISTOR SOCKET KITS (Fig. F)

MK-10 Transistor Mtg. Kit—Includes power transistor socket, teflon insulating washer and 2 #6 sheet metal screws. Order 51-866809

MK-15 Transistor Mtg. Kit—Same as MK-10 except mica insulating washer. Order 51-866810

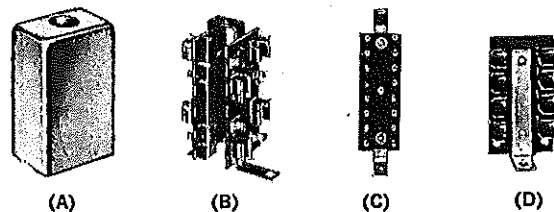
MK-20 Transistor Mtg. Kit—Same as MK-10 except anodized aluminum insulating washer. Order 51-866811

HEAT SINKS (Fig. G)

MS10 universal heat sink for mounting diodes or TO3 diamond type power transistors. Supplied with an MK15 socket and mounting hardware. Order 51-866969

MS15 Universal Heat Sink for mounting type TO36 (doorknob) power transistors. Supplied with mounting hardware. Order 51-866972

Diode Mounting Boards and Cover



A. Aluminum cover for terminal boards.

15B 859076 Cover

B. Terminal Boards Permits plug-in mounting of 8 top-hat diodes.
1V 865695

C. Terminal Board has space for wiring 8 diodes.
1V 80717A77 Terminal Board

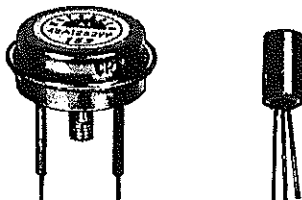
D. "Fuse clip" type for 1N1081 and 1N1084 type diodes.
Mounts 4 diodes.

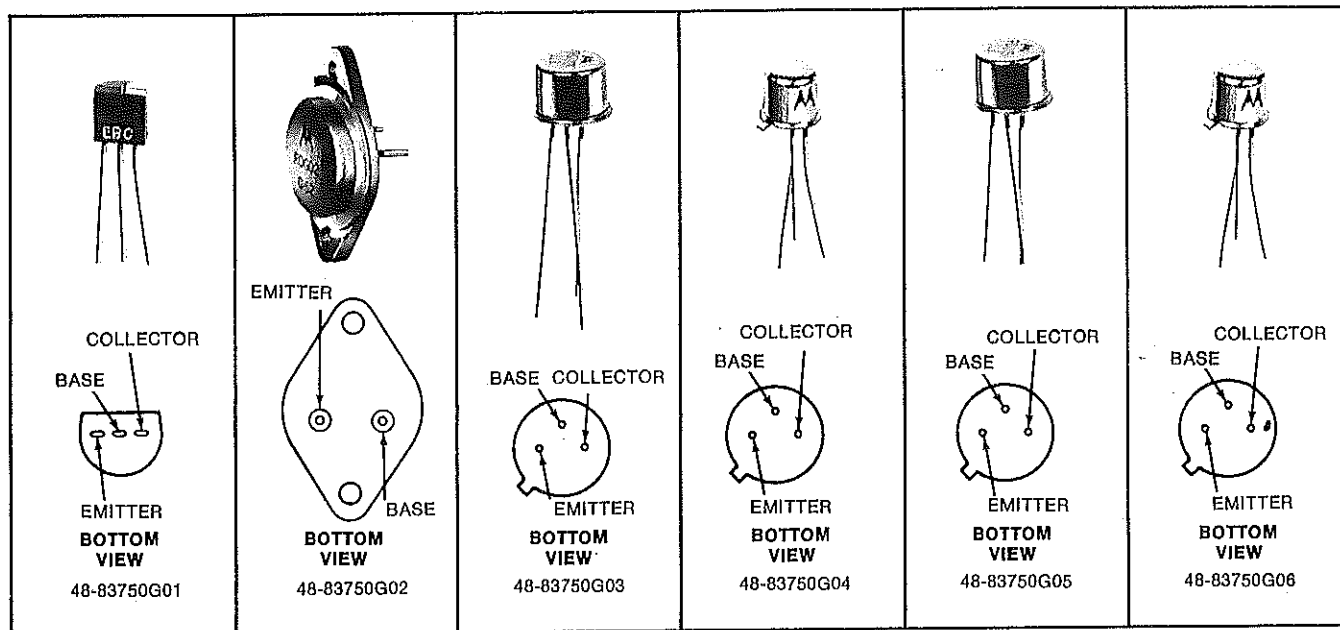
1V 851648

TRANSISTORS

In order to convert the "M" prefix marking found on each transistor to a standard 48 prefix Motorola part number use the following chart:

MARKING	TRANSISTOR TYPE	PART NO.
M1101-99	RF Power	48-84411L01—48-84411L99
M1201-99	Small Signal	48-84412L01—48-84412L99
M1301-99	Low Freq. Power	48-84413L01—48-84413L99
M1401-99	Miscellaneous: Displays, Fet's, Unijunctio, etc.	48-84414L01—48-84414L99
M9000-999	Misc.	48-869000—48-869999





Advanced Motorola Engineering Enables You To Replace 98 Transistors with 6

Transistor replacement has been a growing problem, especially in light of the numbers of transistors used, as well as the large amount of communications equipment which requires servicing. Just as important as technical skill is quality and *availability* of replacement parts. Motorola has taken a giant step in reducing the problem of having enough of the right transistors on hand in service shops by the ROG replacement transistor program. Six transistors can now serve as direct replacement for 98 previous transistors.

What It Means To You

The benefits to the service man are many: Primarily, ROG reduces his inventory and ordering problems. With only six transistors to order, and stock, inventories become smaller and more economical. You can service a greater amount of equipment, more effectively and more economically. With the easy availability of these parts, customer down time is reduced. Both order processing time and shipment money is saved as fewer orders are needed. Storage problems in vans are reduced; you can always take the materials to do the job right to the customer.

48-83750G01 NPN Replaces

TYPE	PART NUMBER
T1679	48-869037
T2515	48-869037
M9136	48-869136
M9245	48-869245
M9299	48-869299

M9323	48-869323
M9325	48-869325
M9329	48-869329
M9338	48-869338
M9357	48-869357
M9377	48-869377
M9378	48-869378
M9389	48-869389
M9390	48-869390
M9418	48-869418
M9453	48-869453
M9532	48-869532
M9570	48-869570

48-83750G02 PNP Replaces

TYPE	PART NUMBER
2N176 (wht)	48-124285
XN12F	48-125219
MN22	48-125266
MN23	48-125267
MN46	48-125298
2N176	48-134447
2N376A	48-134571
2N176 (wht/brn)	48-134582
2N176 (wht/red)	48-134583
2N176 (wht/grn)	48-134584
2N176 (wht/grn/grn)	48-134620
M4608	48-134608
M4661	48-134661
M4206	48-124206
M4246	48-124246
M9083	48-869083
M9091	48-869091
M9104	48-869104
M9142	48-869142
M9255	48-869255
M9294	48-869294
M9342	48-869342
M9420	48-869420
M9458	48-869458
M9517	48-869517

48-83750G03 NPN Replaces

TYPE	PART NUMBER
M4630	48-134630
M9052	48-869052
2N2218	48-869061
M9125	48-869125
M9147	48-869147
M9174	48-869174
M9186	48-869186
M9187	48-869187
SM2716	48-869209
M9260	48-869260
M9271	48-869271

M9285	48-869285
M9355	48-869355
M9430	48-869430
M9431	48-869431
M9491	48-869491
M9519	48-869519

48-83750G04 NPN Replaces

TYPE	PART NUMBER
M4590	48-134590
M4608	48-134608
M9002	48-869002
M9002 (red)	48-869016
M9059	48-869059
M9070	48-869070
M9096	48-869096
M9110	48-869110
M9144	48-869144
M9199	48-869199
M9366	48-869366

48-83750G05 PNP Replaces

TYPE	PART NUMBER
MN60	48-124317
2N652	48-124319
2N207	48-124322
2N655	48-124327
2N655 (grn)	48-134483
2N1193	48-134500
M4573	48-134573
M4597	48-134597
M4597 (grn)	48-134599
M4607	48-134607
2N207 (blu)	48-134633
M9105	48-869105
M9105 (blu)	48-869113
M4573 (blu)	48-869201
M9518	48-869518

48-83750G06 PNP Replaces

TYPE	PART NUMBER
M9003	48-869003
M9009	48-869009
M9038	48-869038
M9003 (wht)	48-869040
M9003 (org)	48-869041
M9058	48-869058
M9003 (brn)	48-869071
M9080	48-869080
M9081	48-869081
M9098	48-869098
M9190	48-869190
M9003 (grn)	48-869192
M9258	48-869258

SPECIAL PURPOSE TUBES

Common tubes used with Motorola equipment and available from Motorola

TYPE	TYPE	TYPE	TYPE	TYPE	TYPE	TYPE
OA2	807	5829	6662	6939	7984	8458
OB2	829B	5894	use 6BJ6	7054	8032	8552
OC3	866A	5963	6669	use 8077/7054	use 8552	8560A
OD3	955	5965	6676	7055	8042	use 65-83382D02
1AD4	1635	6080	use 6676/6CB6A	7056	8058	8643
ML2C39WA	2050	6136	6676/6CB6A	7058	8072	use 97-136A01
use 197-119A01	use 2050A	6146	6678	7059	use 97-136A01	
2D21	5651	use 8298	use 6678/6U8A	7060	8077/7054	Special Motorola
2E24	5654	6155	6678/6U8A	7061	8102	Numbers
2E26	CK5672	use 6155U	6679	7119	8106	
3B4	CK5678	6155U	6680	7167	8156	65-83382D02
3B28	5687	6201	6681	7258	8298	65-83735A02
4/125A	5725	6360	6883	7377	8445	97-136A01
use 6155U	use 5725/6AS6W	6397	use 8032	7551	use 6EA8	97-136A02
4CX250B	5725/6AS6W		6897	7558	8446	197-119A01
5R4GYB	5751	6550	use 197-119A01	7735AM	use 6CL8A	Replaces
use 5R4GB	5763	6661	6907	use 65-82292D01	8447	ML2C39WA
254W	5814A	use 6BH6	6922	Vidicon	use 12BR7	

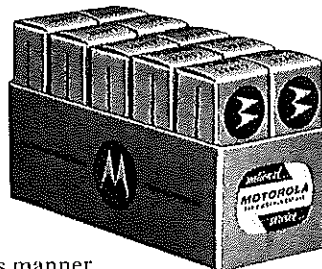
REPLACEMENT OF 7V7

The 7V7 "Loktal" Tube is no longer available. An adapter (part number 1-83699E97) has been developed to permit use of a 12BY7A in its place. It should be noted that the (1-83699E97) adapter will work in every case where a 7V7 tube was used. However, the FCC type number of the

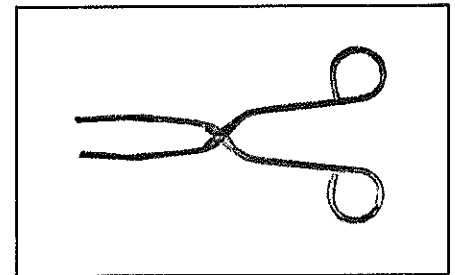
transmitter must be changed if any one of the tubes is replaced with this adapter. Also the metering resistors must be changed. Contact Product Services, 1301 Algonquin Road, Schaumburg, Ill. 60196 for a copy of SRN-390C. Ref. 68-84307A88.

CONVENIENCE PACKAGING

Motorola provides an extra bonus in the handy 10-Pak (unassorted) which simplifies ordering and controlling inventory. When tubes are ordered in increments of ten, they are automatically packaged in this manner.



TUBE PULLER
66-475051



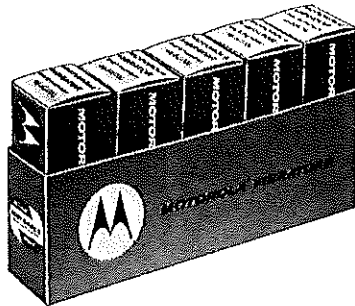
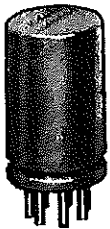


RECEIVING TUBES

Common tubes used with Motorola equipment and available from Motorola

TYPE	TYPE	TYPE	TYPE	TYPE	TYPE	TYPE
1V2	6AL5	6BG7	6CG8A	6EA8	6SN7GTB	12BA6
2C39A	6AM4	use 6BF7	6CH3	6EH7/EF183	6T8	12BE6
use 197-119A01	6AM8	6BH6	use 6CJ3	6EJ7/EF184	6TF4	12BH7A
3A2	6AN4	6BH8	6CJ3	6EV5	6U8	12BL6
3AT2	6AN8A	6BJ6	6CL3	6EW6	6V6	12BR7
5AR4	6AQ5A	6BL8/ECF80	use 6CJ3	6FG6	use 6X4	12BW4
5U4GB	6AQ6	6BM8/ECL82	6CL6	6FQ7	6X5GT	12BY7A
5V4GA	6AS6	6BN6	6CL8A	6GH8A	7C5	use 65-83735A02
5Y3GT	6AS7GA	6BN8	6CM6	6GK6	7C7	12SN7GT
5Y4GT	6AT6	6BQ5	6CM8	6HQ5	7V7 see below	35W4
6AB4	6AU4GTA	6BQ7A	6CS7	6J4	12AB5	50C5
6AF3A	6AU6A	6BR8A	6CY5	6J6	12AL5	
6AF4A	6AU8A	6BS8	6DC6	6KZ8	12AT7	
6AH6	6AV6	6BZ6	6DE7	6L6GC	use 12AT78M	
6AK5	6AW8A	6C4	6DJ8	6LB6/6LF6	12AT78M	
6AK6	6BA6	6CA4	6DK6	6LB6	12AU6	
6AL3	6BC4	6CB5A	6DL4	6LY8	12AU7A	
	6BC5/6CE5	6CB6A	6DQ6B	6SJ7	12AV7	
	6BC8	6CF6	6DT6	6SK7	12AX7	
	6BE6	use 6CB6A	6DV4	6SL7GT	12AY7	
	6BF7	6CG7	6DW4A			
		use 6FQ7	use 6CJ3			

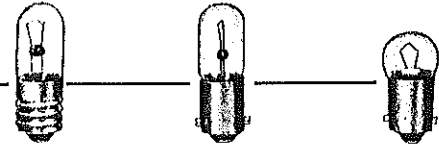
HIGH QUALITY MOTOROLA VIBRATORS



Motorola vibrators are designed for optimum service life and must meet mechanical and electrical specifications that provide long, uninterrupted usage, even when subjected to severe shock and vibration or extreme temperature conditions.

PART NO.	VOLTS	CYCLES	TYPE	PIN BASE	SIZE IN INCHES
48B 800145	6	95	INT	6	1½ x 2¾
48B 803700	6	115	SYN	7	1½ x 2¾
48C 847730	6/12	95	INT	7	1½ x 2¾
48B 880261	6	115	INT	4	1½ x 2¾

Lamps and Sockets



MINIATURE LAMPS Supplied in lots of 10 unless otherwise noted

TYPE	VOLTS	AMPS	BULB & BASE	PART NUMBER	TYPE	VOLTS	AMPS	BULB & BASE	PART NUMBER
40	6-8	.15	TUB SCR	65X 14549	455	6.5	.50	RND BAY (FLASHER)	65C 82010C07
43	2.5	.5	TUB BAY	65K 810328	756	14	.080	TUB BAY	65C 82010C03
44	6-8	.25	TUB BAY	65K 10867	757	28	.08	TUB BAY	65-82010C16†
45	3.2	.35	TUB BAY	65K 831645	965	9.8	.5	SCR	65T 848568
47	6-8	.15	TUB BAY	65K 11854	1445	18	.15	RND BAY	65C 82010C02
48	2.0	.06	TUB SCR	65K 35438	1446	12	.20	MIN. SCR.	65K 852595
49	2.0	.06	TU BAY	65C 82010C06	1465	14	.08	SPECIAL	65-83573E01†
51	6-8	.20	RND BAY	65K 4151	1490	3.2	.16	TUB BAY	65K 834423
53	12-16	.10	RND BAY	65K 857026	1815	12-16	.20	TUB BAY	65K 84419
55	6-8	.40	RND BAY	65K 12855	1816	13.0	.03	MIN. BAY	65-857035
57X	12-16	.23	RND BAY	65K 535060	1819	28	.040	TUB BAY	65C 82010C04
161	12	.19	"MICOR"	65-83554G01	1820	28	.1	TUB BAY	65C 82010C11
313	28	.17	MIN. BAY	65C 82010C13	1821	28.0	.20	SCR	65-848569
313G	28	.17	TUB BAY	65C 82010C05	1829	28	.07	TUB BAY	65K 810161
313R	28	.17	TUB BAY	65C 82010C10	1847	6-8	.15	TUB BAY	65-125595
313Y	28	.17	TUB BAY	65C 82010C09	1850	5	.09	TUB BAY	65C 82010C08
327	28	.04	MIDGET	65-83358H06†	1855	6.3	.180	RND BAY	65-854090
328	6	.20	MIDGET	65K 861827†	1866	6.3	.25	MIN. BAY	65C 82010C14
330	14	.80	MIDGET	65K 861828†	1892	12	.04	TUB BAY	65-538410
338	2.7	.06	TUB CLIP	65-82671G01	CM-8-193	28	.04	TUB SCR	65-04261C02†
344	10	.015	TUB CLIP	65-82671G02†	CM-7-7327	28.0	.04	SCR	65-84718K01
356	28	.17	RND BAY	65C 82010C01	GE6	6.4	.10	RND BAY	65-82010C12†
388	28	.12	MIDGET	65-84991B01	GE161	14	.19	TUB CLIP	65-83554G01
					NE76	120	.10	TUB PLUG	65-859383†

†Individually packaged

LAMPS

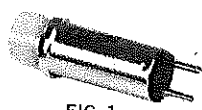


FIG. 1



FIG. 2

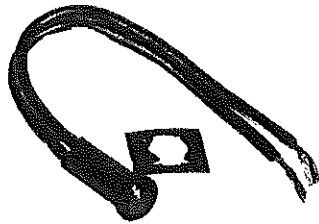


FIG. 3

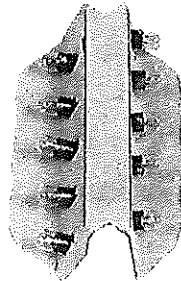


FIG. 4



FIG. 5



FIG. 6



FIG. 7

TYPE	VOLTS	AMPS	BULB	BASE	PART NUMBER
CML640125	6.0	.04	White	Pin	65-5349A01 (Fig. 1)
CML640121	6.0	.04	Red	Pin	65-5349A02*
CML640285	14.0	.08	White	Pin	65-5349A03*
CML640281	14.0	.08	Red	Pin	65-5349A04*
CM332	6.0	.20	Clear	Midget Flange	65-5533B01 (Fig. 2)
2182	14.0	.08	Green	Wire	65-6749A01*
2182	14.0	.08	Red	Wire	65-6749A02*
2182	14.0	.08	Blue	Wire	65-6749A03 (Fig. 3)
2182	14.0	.08	Amber	Wire	65-6749A04*
2390A45	14.0	.10	Amber	Terminals	65-80329A43*
2390A45	14.0	.10	White	Terminals	65-80329A44*
NE-48	65.0 VAC	.025	White	Bayonet	65-806471*
CM386	14.0	.08	Clear	Grooved	65-82113L01 (Fig. 4)
Bulb and Socket	5.0	.06	Clear	Wire	65-82664K01 (Fig. 5)
73	14.0	.08	Clear	Glass	65-83376K01 (Fig. 6)
37	14.0	.09	Clear	Glass	65-83376K02*
74	14.0	.10	Clear	Glass	65-83376K03*
507-3917/1437-600	28.0	.04	White	Pin	65-83508K01*
507-3917/1431-600	28.0	.04	White	Pin	65-83508K02*
37	14.0	.09	Clear	Glass	65-83901F01*
334	28.0	.04	Clear	Grooved	65-84201D73*
CM7376	28.0	.065	Clear	Pin	65-84636K01*
140-3830/1471-201	1.35/28.0	—	Red	Pin	65-84763E01 (Fig. 7)
GE-73	14.0	.08	Clear	Wedge	65-84911K01*

*Lamp not shown.

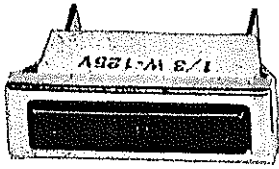


FIG. 1



FIG. 2



FIG. 3

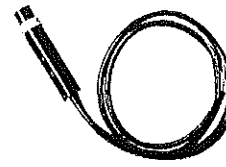


FIG. 4

LIGHT INDICATORS AND LENSES

Neon indicator light for use in Base Station equipment. Single rectangular hole snap in mount. (Fig. 1)

PART NO.	COLOR	VOLTAGE
65B82296H01	Red	110-125 Volts A.C.
65B82296H02	Amber	110-125 Volts A.C.
65-87802B21	White/Power On	125 Volts
65-87802B22	White	14 Volts
65-80329A41 (Replaces 65-83136H01)	Red	14 Volts
65-80329A42 (Replaces 65-83136H02)	Green	14 Volts
65-87802B01	Red	28 Volts
65-87802B02	Green	28 Volts
65-87802B04	Amber	28 Volts
65-87802B08	White/Meter	28 Volts

Jewels for Motorola solid state "Consolettes." Single rectangular hole mount. (Fig. 2)

PART NO.	COLOR
65B83241G01	Red
65B83241G02	Green

Jewels for Business "Dispatcher" and General Two-Way Line use. Single hole mount. (Mounting speed nuts not included.) (Fig. 3)

PART NO.	COLOR
61A82720C01	Red
61A82720C02	Green
2C82360B03	Speed Nut for above

Light Indicators with 6" Leads—Single Hole Mount (Fig. 4)

PART NO.	LENS COLOR	VOLTAGE
65-82840G01	Red	110-125 VAC
65-87881B01	Clear	28 Volts
65-87881B02	Red	28 Volts
65-87881B03	Green	28 Volts
65-87881B04	Amber	28 volts

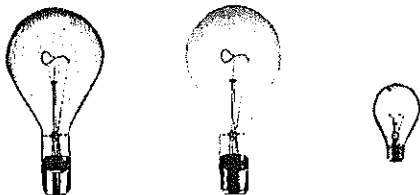
NEON GLOW LAMPS

PART NO.	TYPE	VOLTS	WATTS	BASE
65K 898920	NE51	65	.04	S C BAY
65-818438	NE51H	110/125	.25	S C BAY
65K 817617	NE2	65	1/25	{Unbased
65K 868606	NE2H	110-125	.25	{Wire Term.

AC-DC PILOT LAMPS

PART NO.	TYPE	VOLTS	WATTS	BULB
65A 808464	S6 CAND	115	3.0	CLEAR
65X 80138	S6 CAND	115	6.0	CLEAR
65A 852594	C7 CAND	115	10	CLEAR

TOWER BULBS



Towers and other high obstructions that are not lighted due to a bulb burnout are hazards to aircraft navigation. Keep a supply of spare bulbs in your shop and vehicles and help prevent accidents.

6000 Hr. and 3000 Hr., 620 Watt Bulbs

These MoGul Pre-focus lamps are used in beacon lighting systems for obstructions to navigation such as TV, radio, microwave and transmission line towers, bridges, water tanks stack and other tall structures as specified by the CAA and FCC.

6000 Hr. 116 Watt Bulb

This is a 6000 hr., 120V, 116 watt screw base lamp used in obstruction lighting and meets CAA and FCC tower lighting requirements.

Tower Lamps

PART NUMBER	DESCRIPTION
65-866713	3000 hr., 620W-120V Mogul Pre-Focus
65-84258C75	6000 hr., 620W-130V Mogul Pre-Focus
65-84258C74	6000 hr., 116W-120V Screw Base

Lamps and Sockets

JEWELS AND SOCKETS



Used on latest TCN6000 series control heads and "Motrac" radio control heads.

PART NUMBER	DESCRIPTION
61B 859620	JEWEL, RED (SNAP-IN TYPE)
61K 859621	JEWEL, GREEN (SNAP-IN TYPE)
9B 859619	SOCKET FOR ABOVE
61A 865158	JEWEL, RED (SCREW-IN TYPE)
61A 865159	JEWEL, GREEN (SCREW-IN TYPE) BOTH USED ON "MOTRAC" RADIO
9B 863168	SOCKET FOR ABOVE
61B 83678D01*	JEWEL, RED (SCREW IN TYPE)
61B 83678D02*	JEWEL, GREEN (SCREW-IN TYPE)
61B83678D03	JEWEL, AMBER (SCREW IN TYPE)

*Used on dimmer light series control heads.



Short barrel socket for miniature bayonet base bulb, light socket assembly with mounting bracket. Spring clip formed to slide over bracket .048 thk X .500 wide.

PART NUMBER	DESCRIPTION
9-82778C01	Lamp socket

Lamp socket for miniature bayonet base bulb used in printed circuit applications. Two mounting holes .07 dia. spaced 3/8" apart.



PART NUMBER	DESCRIPTION
9-82605F01	Lamp Socket

Miniature pilot lite socket for use on Mocom-35, uses bulb #335 miniature screw type.

PART NUMBER	DESCRIPTION
9-84766A01	Lamp Socket

FOR "MICOR" RADIOS



PART NUMBER	DESCRIPTION
9-84627B01	Automotive lamp holder
65-83554G01	12 volt .19 amp lamp baseless type number 161

BULB PULLERS



PART NUMBER	DESCRIPTION
ST-585	Bulb puller (for type 327 & 388 bulbs)
ST-691	Bulb puller (miniature type bulbs)

PILOT LIGHT ASSEMBLIES

Vertical type half-inch open type pilot light for miniature bayonet base lamps. Mounts in 7/16" hole.



PART NO.	JEWEL COLOR	JEWEL FINISH
60A 848400	RED	FROSTED
60K 848401	GREEN	FROSTED

Horizontal type half-inch for miniature bayonet base lamps. Mounts in 11/16" hole. Depth back of panel is 1 1/8".



PART NO.	JEWEL COLOR	JEWEL FINISH
60B 17134	RED	CLEAR GLASS
60K 81193	GREEN	CLEAR GLASS
60K 84438	WHITE	CLEAR GLASS
60K 834434	AMBER	CLEAR GLASS
60K 834437	BLUE	CLEAR GLASS

Light socket and jewel assembly. Front mount w/hardware uses T-1 3/4 sub min. bulb #330 & 338 types. Replaceable from front of panel. Mounts in 3/8" dia. hole. Depth back of panel is 3/4".

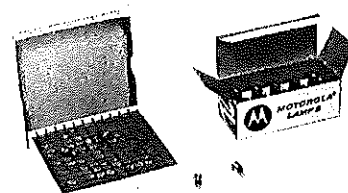


PART NUMBER	JEWEL COLOR
9B82684G01	Red
9B82684G02	Green
9B82684G03	Blue
9B82684G04	Amber
9B82684G07	Yellow

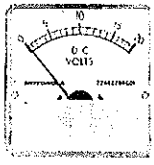
Water-Tight Unit

9B84582A01	RED
9B84582A02	GREEN

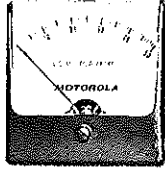
CONSOLE REPLACEMENT BULB PACK



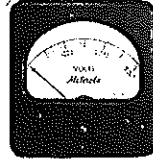
PART NUMBER	QTY.	TYPE	COLOR
65-83358H01 (Replaces PK-211)	10	1829	RED
65-83358H02 (Replaces PK-212)	10	1829	GREEN
65-83358H05 (Replaces PK-215)	10	1829	WHITE
65-83358H03 (Replaces PK-216)	10	1829	ORANGE
65-83358H04 (Replaces PK-217)	10	1829	YELLOW
PK-218	50	CM327	CLEAR
PK-219	100	CM327	CLEAR



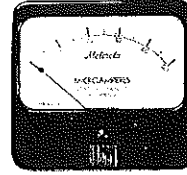
1



2



3



4



5

PANEL METERS

High quality panel meters engineered to maintain very high accuracy through continued usage. Easy-to-read scales. Many with jeweled bearings and polished pivots. D'Arsonval and iron vane movements. See type below for dimensions.

DC Voltmeters

RANGE	FIG.	TYPE	PART NUMBER
0-20	1	A	72-82786E01
0-10/0-20	2	B	72-82354F01
0-1000	2	B	72-82352F02
0-3000	3	C	52-51429

VU and DB Meters

RANGE	FIG.	TYPE	PART NUMBER
-20+3DB	5	F	72-83270G01

DC Ammeters

RANGE	FIG.	TYPE	PART NUMBER
0-50 AMPS	2	B	72-868677 (Replaces 72-83699E25)

DC Microammeters

RANGE	FIG.	TYPE	PART NUMBER
0-50	4	D	52-880281
0-50	2	E	72-82993B01
0-50	5	F	72-83319G01
0-50	1	G	72-864363
25-0-25	2	B	72-82353F01
50-0-50	1	A	72-874867

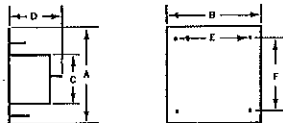
DC Milliammeters

RANGE	FIG.	TYPE	PART NUMBER
0.100	3	C	52-80181
0.500	3	C	52-50691
0.600	2	E	72-82610H02

AC Voltmeter

RANGE	FIG.	TYPE	PART NUMBER
0-150	3	C	52-891586

METER DIMENSIONS



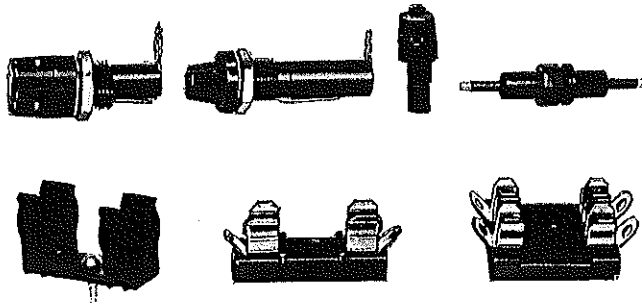
TYPE	HEIGHT A	WIDTH B	BODY DIA. C	DEPTH BEHIND PANEL D	MTG. CTRS. E	MTG. CTRS. F
A	2.369	2.369	2.00	1.75	1.5	—
B	2.73	3.15	2.19	1.75	1.88	1.88
C	3.13	3.00	2.75	2.06	2.25	2.25
D	4.20	4.65	2.75	1.66	4.00	3.54
E	3.25	3.25	2.73	1.76	2.24	2.24
SPECIAL DESIGN						
F	2.47	2.47	2.17	1.374	1.87	1.87
G	2.47	2.47	2.17	1.74	1.88	1.88
H	2.37	2.37	2.12	1.74	1.88	1.88

MODEL NO.	SCALE DIVISIONS	METER PART NUMBER	REPLACEMENT COVER
R-1007A		72-83739K41*
R-1010A		72-80328A01*
R-1011A	Current	72-83379K03	
	Voltage	72-83379K04	
R-1013A		72-8332A29*
R-1200 (series)		72-48209D29*
S-1051B, S-1053D	} 0-1 Volts } 0-3 Volts } -10 to +2 db	72-82540E01*
S-1053A, S-1053D			
S-1053B, S-1053D			
S-1052A, S-1052B Use S-1063B	} 0-1 Volts DC & AC } 0-3 Volts AC & DC } 0-Infinity ohms	72-82819D01*
S-1056A & B, S-1057A & B, S-1058A & B, S-1059A & B, S-1062A & B, TU-546			
S1063A-B	Multi-Scale	72-82819D01	72-82884C01
S-1326A		72-84308A94*
S-1327A (Series)	Freq. Error Meter	72-48209D29	
S-1327A (Series)	Deviation Meter	72-84204D49	
S-1347	Current Voltage	72-80324A42***
S-1348	Current Voltage	72-80324A41***
S-1350A	Meter is not field serviceable		
S-1360A	Current	72-80323A43*
	Voltage	72-80323A42*
SLN-6213A	Replace-Low-Good	72-82756A02	15-866964....
T-1012A	0-50 Volts	72-868676*
T-1012A	0-50 Amps	72-868677*
T-1064A	} 0-10 Amps } 0-100 Volts	72-83699E26*
		72-83699E23*
TEK-5E	0-50 Microamps	72-82993B01	61-82569D01..
TEK-5E	0-1000 Volts	72-82993B02	61-82569D01..
TEK-5E	25-0-25 Microamps	72-82994B01*
TEK-5E	0-10 VDC	72-82995B01*
	0-20 VDC		
TEK-5E	0-50 UA DC	72-82352F01	15-84307A05..
TEK-5E	0-1000 Volts	72-82352F02	15-84307A05
TEK-5E	25-0-25 Microamps	72-82353F01	15-84307A05
TEK-5E	0-10 VDC	72-82354F01	15-84307A05
TEK-7A-B	0-50 Microamps	72-864363	.. 15-866914....
TEK-13A	Replace-Low-Good	72-82756A02	15-866964....

*Not Available

**Current numbers are indicated, 72-83379K01 (voltage) and 72-83379K02 (current) are older style meters and must use RPX-4003A and RPX-4004A respectively with this meter.

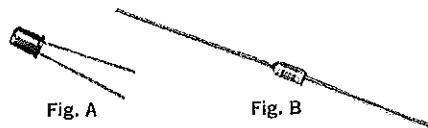
Fuses



FUSE MOUNTINGS—EXTRACTOR POSTS

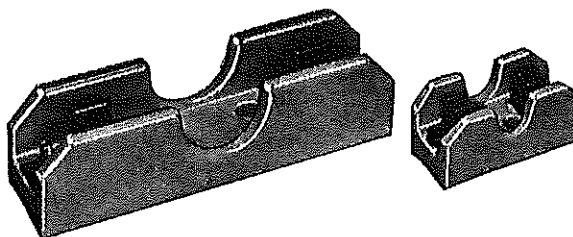
PART NO.	DESCRIPTION	FOR FUSES	FIG.
9C 82083C02	Miniature fuse Extractor post	3AG	A
9A 890375	Panel mount. Thumb knob	3AG—3AB	B
1A 82779C01	Fuse holder complete consists of: 1 - 14A 82882A01 Body 1 - 14A 82883A02 Cap 2 - 42A 82884A01 Clip	3AG	C
9C 84277B01	In-line fuse retainer (for 1 1/2" fuses) for Micor radios		D
9C 84277B02	In-line fuse retainer (for 1 1/8" fuses) for Micor radios		D
42-84275B01	Mounting clip for Micor fuse retainers above		E
31A 824974	Single fuse mtg.	3AG-3AB	F
31K 836731	Double fuse mtg.	2—3AG	G

FUSE MINIATURE



PART NO.	AMPS	VOLTS	FIG.
125V micro-circuit, used in HT radios.			
65C82896B01	100ma	125V	A
65C82896B03	1.0amp	125V	B
65C82896B04	2.0amp	125V	B
65-139554	5.0amp	125V	B
125V micro-circuit used in S-1327A service monitor			
65-84206D07	1/10 amp.	125V	A

(Replaces 65-84255C40 1/20th amp. fuse)



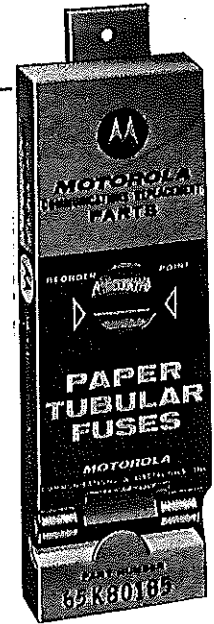
PORCELAIN FUSE BLOCKS

PART NO.	POLE	CAPACITY AMPERE
67B 892616	Single	1-30
67B 80179	Double	1-30
67B 834386	Triple	1-30
67B 83859	Single	31-60

PAPER TUBULAR FUSES

PART NO.	AMPS
65K 810140	6
65K 80185	10
65A 50226	15
65K 52482	20
65K 834356	25
65K 50671	30
65X 84434	35
65K 83578 C01**	35
65K 830314	40
65C 84161B01***	40
65B 83578C02**	45
65A 83860	50
65A 891578*	60

*Not included in dispenser assortment. Special Dual Element.
2" x 3/16" up to 30 amps.
3" to 3/8" over 30 amps.
**2" x 3/16"
***1.12 x .40 dia.,
Special for Micor radio



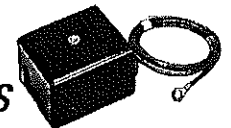
HOUSEHOLD FUSES



Plug fuse for use in fixed station Communication equipment over the temperature range of -30°C to +85°C.

CURRENT RATING	MOTOROLA PART NO.
3	65B 83099A01
6	65B 83099A05
8	65B 83099A02
15	65B 83099A03
20	65B 83099A04

FUSE BLOCK AND "A" RELAY ASSEMBLIES



Assembly contains relay and fuse block supplied with the "A" cable attached.

PART NO.	DESCRIPTION
1V 859440	6 or 12V, large fuse clips, horn relay.
1V 859445	12 volt, small fuse clips, horn relay.

COLLAR FUSE ADAPTER

Adapts 1-30 amp fuses to 30-60 amp fuse holder. Useful in 12 volt conversions.

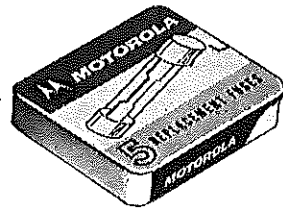
Order 43-831204 (1 pair)



SPECIAL FUSES

	TYPE	AMPS	VOLTS	
65-136969	AGU 15	15	32V	Micor
65-84161B01	Special	40	32V	Micor
65-138164	AGU 60	60	32V	Motran
65-82896B01	Mini	100 ma	125V	HT
65-82896B03	Mini	1.0 Amp	125V	HT
65-82896B04	Mini	2.0 Amp	125V	HT
65-82291J01	Pigtail	1.0 Amp	250V	Handi Com
65-84206D07	Mini	1/10 Amp	125V	S-1327 Serv Mon
		Replaces 65-84255C40	1/20 Amp Fuse	
65-84699C01	KAA 15	15 Amp	130V	Comm. Consoles

3AG (MDL) TYPE SLO-BLO FUSES



PART NO.	AMPS	VOLTS
65K 879842	1/32	250
65B 841650	1/8	125
65K 817952	.15	125
65K 892098	3/8	125
65K 802992‡	1/4	125
65K 817954	3/10	125
65K 834465‡	4/10	125
65K 475395*‡	1/2	125
65K 817953	6/10	125
65A 892099*‡	3/4	125
65K 804910*‡	1	125
65K 834466‡	1 1/4	125
65K 804909	1.6	125
65K 804908*‡	2	125
65K 817955*	3	125
65K 834464	4	125
65K 817956*‡	5	125
65B 475247*‡	6 1/4	125
65K 475248	8	32
65X 834619*‡	10	32
65K 804906‡	15	32
65K 850521‡	20	32
65P 84307A56	25	32
65P 84307A57	30	32

3AG (AGC) TYPE QUICK TO MEDIUM ACTING FUSES

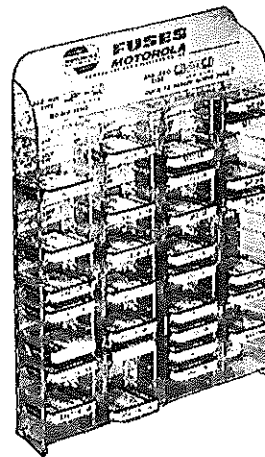
PART NO.	AMPS	VOLTS
65A 61668	1/8	250
65K 474899	1/8	250
65K 20987‡	1/4	250
65K 868957	3/8	250
65X 21975‡	1/2	250
65A 865519	3/10	250
65K 898635	3/4	250
65K 52281‡	1	250
65X 890033‡	1 1/2	250
65K 42092*‡	2	250
65K 129421	2 1/2	250
65K 20404‡	3	250
65K 61688	4	250
65R 52293	5	250
65A 51029*‡	5	32
65K 15270‡	6	250
65K 86099‡	7 1/2	32
65A 10266*‡	10	32
65X 4165*‡	15	32
65K 4637*‡	20	32
65K 61682*‡	25	32
65K 20986*‡	30	32

4AG (AGS) TYPE QUICK TO MEDIUM ACTING FUSES

PART NO.	AMPS	VOLTS
65K 81441‡	5	32
65X 84433‡	15	32
65K 109030	20	32
65A 41492‡	30	32

8AG (AGX) TYPE FAST ACTING INSTRUMENT FUSES

PART NO.	AMPS	VOLTS
65-42869	1/200	
65R 61676	1/32	250
65R 61677	1/16	250
65R 61678	1/8	250
65K 34860	1/4	250
65K 40217	1/2	250
65R 131165	3/4	250
65R 61681	1	250
65R 61679	2	125
65-138180	5	125



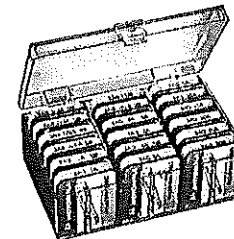
WALL MOUNT FUSE ASSORTMENT

Motorola-recommended assortment contains 30 boxes of the fuses most commonly used in Motorola 2-way radio equipment. Sturdy plastic holder is designed for wall-mounting. Card at rear of

transparent holder is imprinted with identification of fuse by amperage, voltage and Motorola part number. Holder actually has provisions for holding 60 boxes of fuses, giving the user the opportunity to supplement the Motorola-recommended assortment with other fuses indicated on the identification card.

‡Indicates fuses included in assortment.

PDK-652 Motorola-Recommended Assortment with Fuse Rack
ST-134 Plastic Fuse Rack Only



HANDIE-PAC FUSE ASSORTMENT

Ideal for use away from the shop... fits in the tool box or stores readily in the service vehicle. Fuses are easily identified through transparent plastic top. Standard assortment consists of 15 assorted boxes of the fuses commonly used in 2-way radio servicing. Assortment includes fuses set off by asterisks (*) in listing above.

PDK-651 Standard Fuse Assortment
ST-417 Plastic Fuse Box Only

1AG MEDIUM ACTING AUTOMOTIVE TYPE 1/4" DIA. BY 5/8" LONG

PART NO.	AMPS	VOLTS
65R 122345	5	32
65A 82496G01	3	32
65A 82496G02	2	32
65A 82496G03	10	32

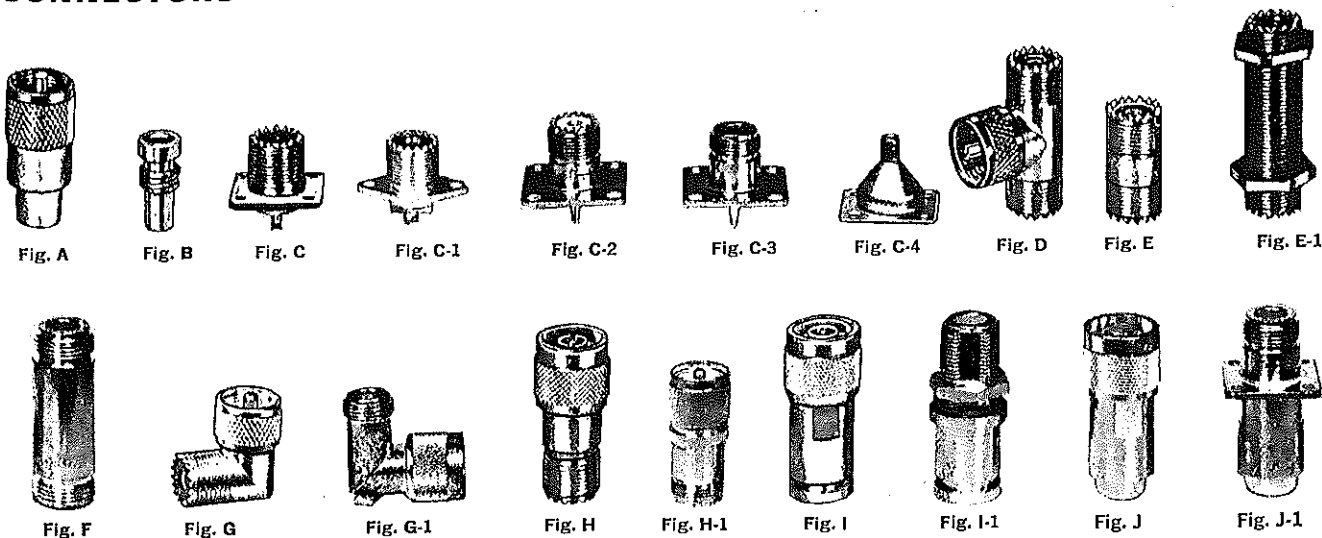
5 AG (AGU & KAA) FAST ACTING 13/32" DIA. x 1 1/2" LONG

PART NO.	TYPE	AMPS	VOLTS	
65-136969	AGU 15	15	32	Micor
65-138794	AGU 25	25	32	
65-61683	AGU 40	40	32	
65-61684	AGU 50	50	32	
65-138164	AGU 60	60	32	Motran
65-84699C01	KAA 15	15	130	Comm. Console

4AG (MDM) TYPE SLO-BLO FUSES

PART NO.	AMPS	VOLTS
65K 880865	1	250
65K 880866	2	250
65K 800751	3.2	32
65K 800752	4	32
65K 800753	5	32
65K 801233	6 1/4	32
65K 800754	8	32

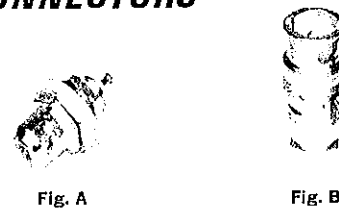
UHF & TYPE "N" CONNECTORS



MIL OR OTHER NO.	FIG.	DESCRIPTION	PART NUMBER
PL259	A	Plug for RG8/U, RG9/U, 11/U Mica filled insulation.	28-42310
PL259	A	Plug for RG8/U, RG9/U, 11/U Teflon Insulation	28-82021G01 (Nickel Plated)
PL259*	A	Plug For RG8/U, RG9/U, 11/U Teflon Insulation	28-80325A29 (Silver Plated)
UG175/U	B	Reducer used with PL259 For RG58/U, RG142/U .207 I.D.	58-854020
UG176/U	B	Reducer used with PL259 For RG58/U, RG142/U. .255 I.D.	58B 848363
SO-239	C	Receptacle UHF	9A 85615
	C	Receptacle "N"	9A 82741A01
SO-239A	C	Receptacle UHF Teflon Insulation	9C 82442E01
	C-1	Receptacle UHF	9K 867432
	C-1	Receptacle UHF Teflon Insulation	9C 82442E06 (Replaces 9-82442E07)
424050	C-2	Connector UHF 1 1/4" Flange (For Bird 43 Wattmeters)	ST-1000
424062	C-3	Connector "N" 1 1/4" Flange (For Bird 43 Wattmeters)	ST-999
UG177/U	C-4	Shield for Fig. C Cable Size .116	15B 483599
UG106/U	C-4	Shield for Fig. C Cable Size .285	15A 82582H01
M358	D	"Tee" UHF	9A 86150
PL258	E	Straight-through UHF	58A 109152
PL274	E-1	Straight-through UHF	58A 475273
UG-29A/U	F	Straight-through "N"	58A 82764A01
UG646/U	G	Right Angle UHF	28A 48250
UG-27/AU	G-1	Right Angle "N"	28A 817985

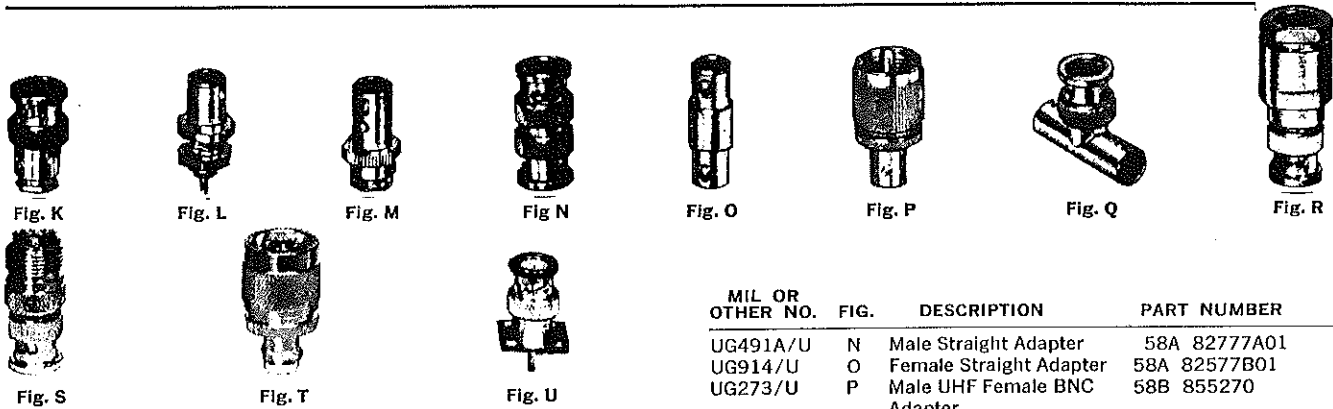
MIL OR OTHER NO.	FIG.	DESCRIPTION	PART NUMBER
UG146/U	H	Male "N" and Female UHF Adapter	58A 82273C01
UG-83/U	H-1	Male UHF and Female "N" Adapter	58P 83150D01
UG603/U	I	Male "N" Plug for RG59/U	28B 82809C01
UG21B/U	I	Male "N" Plug for RG8/U, 11/U	28B 808256
82-312	I	Male "N" Plug for UG/11U, RG8/U, 9/U, 213/U, 214/U and 225/U Cable Hole .444" Teflon Insulation	ST-959
UG-556B/U	I-1	Female "N" for RG58A/U Cable Hole .214	28B 83059A02
UG-536/U	J	Male "N" Plug for RG58A/U Cable Hole .212	28K 852527
UG-1052/U	J-1	Female "N" Connector Special for TU576 and T-1034, 35 and 36 Series Generators	9K 857036

BSM CONNECTORS



MIL OR OTHER NO.	FIG.	DESCRIPTION	PART NUMBER
01431T	A	Male Bulkhead Connector (BSM)	28B 82156E01
RF-0721-54	B	Female Connector for RG54, 55, 58, 58A, 58B, 58C, and 141/U Teflon Insulation	9B 82139E01

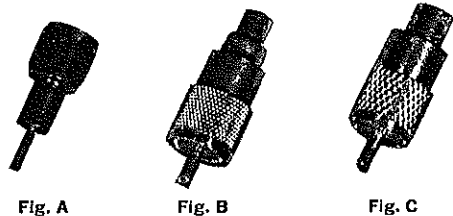
*Includes Teflon washer for use on cables up to 1 GHz



BNC CONNECTORS

MIL OR OTHER NO.	FIG.	DESCRIPTION	PART NUMBER
UG88/U	K	Plug for RG58/U	28B 844876
UG260/U	K	Plug for RG59/U	28B 868439
UG657/U	L	Chassis Receptacle	9B 855268
UG89/U	M	Jack for RG58/U	9B 855269

MIL OR OTHER NO.	FIG.	DESCRIPTION	PART NUMBER
UG491A/U	N	Male Straight Adapter	58A 82777A01
UG914/U	O	Female Straight Adapter	58A 82577B01
UG273/U	P	Male UHF Female BNC Adapter	58B 855270
UG274/U	Q	"TEE"	9A 82578B01
UG959A/U	R	Male Plug for RG11/U	28B 82808C01
UG-255/U	S	Female UHF and Male BNC Adapter	58P 84300A99
UG201A/U	T	Male "N" and Male BNC Adapter	58P 84300A98
RF-0482	U	Male BNC Receptacle	28B 82992D01



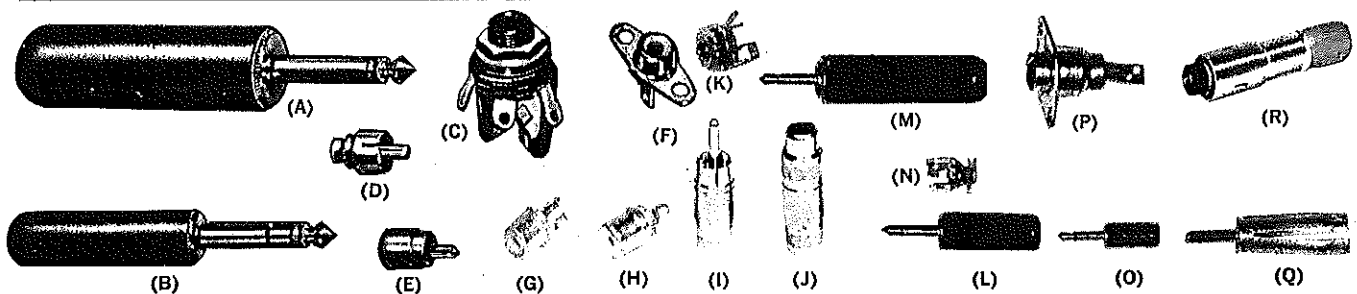
ANTENNA ADAPTERS

FIG.	DESCRIPTION	PART NO.
C	Male UHF and female auto	58A 82103D01
B	Male UHF and phone receptacles	58A 82896G01
A	Male Auto antenna and female UHF	58A 82104D01

"QUICK CHANGE" CONNECTORS

Just "push 'em on or pull 'em off." They save time by eliminating the "threading-on" of Standard UHF connectors used in routine servicing.

DESCRIPTION	PART NUMBER
"Quick Change" "T" Connector	58P 82350D01
"Quick Change" Right Angle Connector	58P 82350D02
"Quick Change" Ferrule only for PL259 (28A42310) Connector	58A 82093E01



PHONO/PHONE PLUGS AND JACKS

DESCRIPTION	FIG.	PART NO.
Phone Plug (Black) Large Body, 2 circuit	A	28A 19484
Phone Plug (Red) 2 circuit	B	28A 804789
Phone Plug (Black) 2 circuit	B	28A 804790
Phone Plug (Black) 3 circuit	B	28A 855277
Phone Plug (Red) 3 circuit	B	28A 855278
Jack, Open circuit 2 circuit	C	9A 20261
Jack, Closed circuit 2 circuit	C	9K 85656
Jack, Open circuit 3 circuit	C	9B 82281C01
Phono plug	D	28-82331G01
Phono jack	E	9K 87120
Phono jack	F	9-642235
Printed circuit phono jack	G	9-82615F01
Phono jack (Press-fit into .32 dia. hole)	H	9-84135B02 (Replaces 9-84125B01)

DESCRIPTION	FIG.	PART NO.
Plug, phono (cable type)	I	28-84303A80
Phono jack (cable type)	J	9-84303A81
Jack, miniature normally closed for parallel operation	K	9A 82100A01
Jack, miniature normally closed for disconnect operation	K	9A 82670B01
Phone Plug (for Jack "K")	L	28A 82081C01
Phone Plug (for Jack "K") large barrel	M	28A 82537C01
Jack, sub-miniature, normally closed for disconnect operation	N	9A 82684D01
Plug, sub-miniature (for Jack "N")	O	28A 82220E01
Jack, antenna—auto radio type	P	9A 82751C01
Plug, antenna—auto radio type	Q	29-580544
Cigar Lighter Plug	R	28-82620C01

Miniature Coaxial Connectors and Cross Reference Charts

MINIATURE COAXIAL CONNECTORS

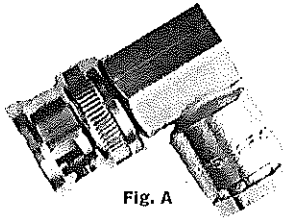


Fig. A

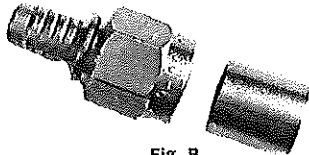


Fig. B

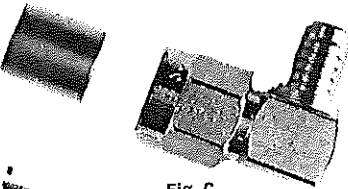


Fig. C

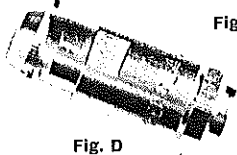


Fig. D

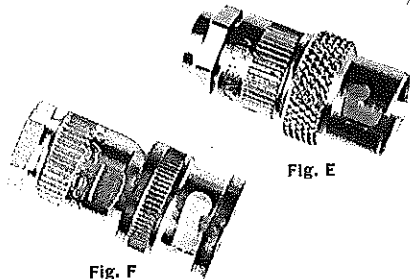


Fig. E

MIL OR OTHER NO.	FIG.	DESCRIPTION	PART NO.
RF-0722-52	A	Connector, Female Right Angle (MB)	9-84886E01
OSM-511-1	B	Connector, Male (SMA)	28-87317C01
OSM-511-3	B	Connector, Male (SMA)	28-87317C02
OSM-531-1	C	Connector, Male (SMA)	28-87317C03
OSM-531-3	C	Connector, Male (SMA)	28-87317C04
46700	D	Connector, Male (MB)	28-82688K01
45525	E	Connector, Female (MB)	9-82689K01
RF-0721-64	F	Connector, Female (COAXIAL)	9-84885E01
RF-0721-52	F	Connector, Female (COAXIAL)	9-84885E02
RF-0721-25	F	Connector, Female (COAXIAL)	9-84885E03
50-672-0000-31		Adapter, Jack To Jack (SMA)	58-80324A32*

*Not shown

CROSS REFERENCE CHARTS

"UHF" COAXIAL CONNECTORS

DESCRIPTION	TYPE	DIELECTRIC	MOTOROLA PART NO.	MIL SPEC NO.	AMPHENOL PART NO.	REMARKS
RG-8/U Cable Conn.	M	D.P.	28K42310	PL-259	—	
RG-8/U Cable Conn.	M	Tef.	28-80325A29	PL-259	—	Silver Plated
RG-8/U Cable Conn.	M	Tef.	28C82021G01	PL-259	83-822	Nickel Plated
Reducer for RG-58/U	—	—	58K854020	UG-175/U	83-185	
Reducer for RG-59/U	—	—	58K848363	UG-176/U	83-186	
Chassis Mount	F	Phen.	9K85615	SO-239	—	
Chassis Mount	F	P.S.	9A816368	SO-239	83-IRTY	
Chassis Mount	F	Tef.	9C82442E01	SO-239A	83-798	(Replaces 9-82442E03)
Chassis Mount	F	Cor.	9B82941B01	—	83-716	Pressurized
Chassis Mount	F	Phen.	9K867432	—	83-876	Oval Flange
Chassis Mount	F	Tef.	9C82442E06	—	—	Oval Flange (Replaces 9-82442E07)
Feed-Thru	F-F	P.S.	58A109152	PL-258	83-U	
Feed-Thru	F-F	P.S.	58A475273	UG-363/U	83-1F	Bulkhead
Feed-Thru	F-F	P.S.	58B83847A01	—	—	Large Flange
Right Angle	M-F	P.S.	28A48250	UG-646/U	83-IAP	
Tee	F-M-F	P.S.	9A86150	M-358	83-IT	
Adaptor (BNC-F)	M	Rex.	58B855270	UG-273/U	31-028	
Adaptor (BNC-M)	F	Rex.	58P84300A99	UG-255/U	2900	
Adaptor (N-M)	F	Rex.	58A82273C01	UG-146/U	4400	
Adaptor (N-F, Tef.)	M	Rex.	58P83150D01	UG-83/U	14000	

"N" COAXIAL CONNECTORS

DESCRIPTION	TYPE	DIELECTRIC	MOTOROLA PART NO.	MIL SPEC NO.	AMPHENOL PART NO.	REMARKS
*RG-8/U Cable Conn.	M	Tef.	ST-959	UG-1185/U	82-312	(Replaces 28-84603A01)
RG-8/U Cable Conn.	M	Tef.	28A808256	UG-218/U	82-61	Mod. Clamp
*RG-8/U Cable Conn.	F	Tef.	9B84602A01	UG-1186/U	82-313	Improved, captivated
*RG-8/U Cable Conn.	F	Tef.	9B83127D01	UG-1186/U	82-313	Improved, captivated
RG-8/U Cable Conn.	F	Tef.	28B83059A01	{UG-160A/U {UG-160B/U	{82-67 {82-93}	Bulkhead
RG-8/U Cable Conn.	M	Tef.	28K844859	—	82-835	Right Angle
*RG-58/U Cable Conn.	M	Rex.	28A852527	UG-536/U	34000	
*RG-58/U Cable Conn.	M	Rex.	28A83055A01	UG-536/U	34000	
RG-58/U Cable Conn.	F	Rex.	9B82443E01	—	35000	
RG-58/U Cable Conn.	F	Tef.	28B83059A02	UG-556/U	35250	Bulkhead (Replaces 9-84568A01)
RG-59/U Cable Conn.	M	Rex.	28B82809C01	UG-603/U	34500	
Chassis Mount	F	Tef.	9A82741A01	UG-58A/U	82-97	Modified Const. (Replaces 9-816159) No flange
Chassis Mount	F	Tef.	9B82415E01	—	—	
Feed-Thru	F-F	Tef.	58A82764A01	UG-29A/U	82-65	
Feed-Thru	F-F	Rex.	9B83599H01	UG-30/U	82-66	Bulkhead, pressurized
Right angle	M-F	Tef.	28A817985	UG-27A/U	82-64	
Feed-Thru	M-M	Tef.	58B844807	UG-57B/U	82-100	
Adaptor (UHF-F)	M	Rex.	58A82273C01	UG-146/U	4400	
Adaptor (UHF-M, Rex.)	F	Tef.	58P83150D01	UG-83/U	14000	
Adaptor (BNC-F)	M	Tef.	58P84300A98	UG-201A/U	31-216	

*Pairs so marked are identical

"BNC" COAXIAL CONNECTORS

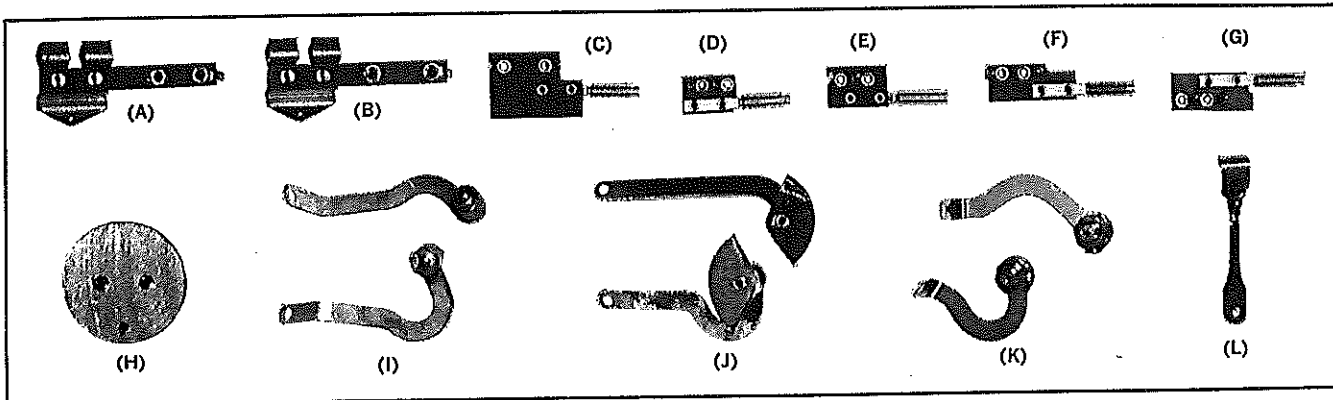
DESCRIPTION	TYPE	DIELECTRIC	MOTOROLA PART NO.	MIL SPEC NO.	AMPHENOL PART NO.	REMARKS
RG-58/U Cable Conn.	M	Tef.	28K844876	UG-88/U	31-002	
RG-58/U Cable Conn.	F	Tef.	9B855269	UG-89/U	31-005	
*RG-58/U Cable Conn.	F	Tef.	9B83589A01	UG-909/U	31-206	Bulkhead, Improved (Replaces 9-84567A01)
RG-58/U Cable Conn.	M	Tef.	28C83439H01	—	38250	Right Angle
RG-58/U Cable Conn.	—	Tef.	58B82989E01	—	—	Tee
*RG-59/U Cable Conn.	M	Rex.	28B868439	UG-260/U	31-012	(Replaces 28-82872D01)
RG-59/U Cable Conn.	M	Tef.	28B84026B01	UG-260B/U	31-212	Improved
RG-11/U Cable Conn.	M	Tef.	28B82808C01	UG-959A/U	—	
Chassis Mount	F	Rex.	9A844508	UG-185/U	4500	
Chassis Mount	F	Tef.	9C83415H01	—	31-842	
Chassis Mount	F	Tef.	9C83416H01	UG-535/U	5675	Right Angle
Chassis Mount	M	Tef.	28B82992D01	—	3150	
Bulkhead Mount	F	Rex.	9B855268	UG-657/U	31-102	Pressurized
Feed-Thru	F-F	Tef.	58A82577B01	UG-914/U	31-219	Improved
Feed-Thru	M-M	Tef.	58A82777A01	UG-491A/U	31-218	Improved
Tee	F-M-F	Rex.	9A82578B01	UG-274/U	31-008	
Adaptor (UHF-M)	F	Rex.	58B855270	UG-273/U	31-028	
Adaptor (UHF-F)	M	Rex.	58P84300A99	UG-255/U	2900	
Adaptor (N-M)	F	Tef.	58P84300A98	UG-201A/U	31-216	

*Pairs so marked are identical

PHONO COAXIAL CONNECTORS

DESCRIPTION	TYPE	DIELECTRIC	MOTOROLA PART NO.	I.D.	MANUFACTURER
Cable Connector	M	XXP	28A474006	.176	Cinch #15H12877
Cable Connector	M	Tef.	28B82331G01	.125	Switchcraft (Replaces 28-849416)
Cable Connector	M	Tef.	28B82331G02	.177	Switchcraft
Cable Connector	M	XXXP	28B82331G03	.125	Switchcraft, wall able
Cable Connector	M	XXXP	28A82365D02	Lug	Switchcraft #XA-17289 (Replaces 28-82365D01)
Chassis Mount	F	Ceramic	9C84135B02	—	Knurled (Replaces 9-84135B01)
Chassis Mount	F	Ceramic	9C83663C01	—	Switchcraft #P-1269-2
Chassis Mount	F	Phen.	9C87120	—	Cinch #14H12699 (Replaces 9-82323G01)

Coupling Loops, Plate Caps and Shields



COUPLING LOOP and INSULATORS ASSEMBLIES

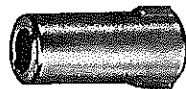
Series	Part No.	Fig
"A" Transmitters (30 & 60 Watt)	1-891897	A
"K" Transmitters (TTB1090AA 60 & 100 Watt)	1-859850	B
U43HHT1000A	(25W) 1-863708	C
U43HHT1000B & C	(25W) 1-863717	Sim To E
U43HHT1000D	(25W) 1-80712A87	Not Shown
U43HHT1000E	(25W) 1-80738A25	Not Shown
U53HHT1000A, B & C	(60W) 1-80702A30	F
U63HHT1000A	(80W) 1-80702A22	E
U63HHT1000B & C	(80W) 1-80702A30	F
U41HHT1000A, B, C, D & E	(100W) 1-865483	D
U51HHT1000A, B, C, D & E	(50W) 1-865483	D
U43LHT1000A	(40W) 1-80738A25	Not Shown
U53LHT1000A & B	(60W) 1-80755A67	Sim To F
U63LHT1000A & B	(90W) 1-80755A67	Sim To F
U73LHT1000A & B	(110W) 1-80755A67	Sim To F
U41LHT1000A & B	(40W) 1-865483	D
U51LHT1000A & B	60W) 1-865483	D
U71LHT1000A, B & C	(100W) 1-865483	D
U43MHT1000A, B & C	(40W) 1-80738A25	Not Shown
U53MHT1000A & B	(60W) 1-80755A67	Sim To F
U63MHT1000A & B	(90W) 1-80755A67	Sim To F

Series	Part No.	Fig
U73MHT1000A & B	(110W) 1-80755A67	Sim To F
All Low Band Motran Radios	1-80744A50	G

PLATE CAP ASSEMBLIES

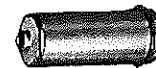
FIG.	DESCRIPTION	PART NO.
H	Platecap for 5894 Tube— 25-54MC Set screw for above	58A82663A01 3S9724 (2REQ.)
I	Platecap & Strap Assembly for the 5894 Tube when the tube is operated in a push-pull circuit— 144-174MC Base Stations & Mobiles except "Motrac" Radio	1V 866959
J	Same as above except for "Motrac" Radio	1V 866960
K	Platecap & Strap for the 829B tube	1V 866961
L	Platecap for 6146 Tube	1V 835384

TUBE SHIELDS



PART NO.	SIZE	USAGE
26K859210	1½"	Tube Type—7059
26K859640	2¾"	Tube Type—7054, 7056
26A881244	1¾"	Tube Type—12AT7, 12AU7
26A890034	1¾"	Tube Type—6BH6, 6AK6

COIL SHIELDS



PART NO.	SIZE	USAGE
26A86869	1-7/32 x 11/16"	"Dispatcher" or "Uni- Channel", Rec.
26A834766	1-55/64 x 11/16"	"G Line", Rec. (TA-140)
26A834784	1-7/8 x 7/8"	Receiver (450-470MC TA-141-A)

150-174 mc HEAT DISSIPATORS



For use with 60, 90 and 110 watt units. Two Heat Dissipators and two set screws required per tube. Set screws not included.

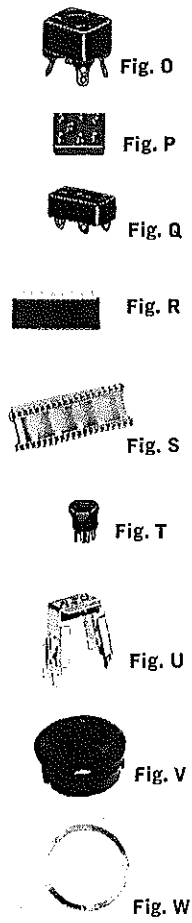
PART NO.	DESCRIPTION
26B83259B01	Heat Dissipator
3A83005E01	Set Screw

Sockets and Shields

PART NO.	DESCRIPTION
9B 87124	7-Contact Tan Bakelite Fig. A. (Replaces 9-87123)
9-834083	7-Contact Black Bakelite w/Tube Shield Base. Fig. B. (Replaces 9-849460)
9B 834083	7-Contact Tan Bakelite w/Tube Shield Base Fig. B.
9B 86868	9-Contact Black Bakelite. Fig. C.
9K 825586	9-Contact Tan Bakelite Fig. C.
9K 881243	9-Contact Tan Mica Bakelite w/Tube Shield Base. Fig. D.
9-80324A35	7-Contact Printed Ckt. Type used on "Motrac" Radio Fig. E. (Replaces 9-857351)
9C 858152	9-Contact Printed Ckt. Type used on "Motrac" Radio Fig. E.
9C 82201E01	12-Contact Metering Socket "Motrac" Radio. Fig. F.
9-6763	Octal, Black Molded Bakelite. Fig. G. (Replaces 9-6752)
9-6740	Octal, Tan Molded Bakelite. Fig. G. (Replaces 9-6773)
9-6740	Octal, Tan Molded
9-70208	4-Contact Wafer Type For 48B 880261 Vibrator and 4 Prong Tubes. Fig. H.
9A 83953	7-Contact Wafer Type for 48B 803700 Vibrator. Fig. I.
9A 6776	7-Contact Molded Type for 48C847730, 48C830032 Vibrators. Fig. J.
9A 893515	7-Contact Wafer Type for 48B 893518 Vibrator. Fig. K.
9A 824969	Steatite Socket for .486" Spaced, .050 Dia. Pins. Fig. L.
9K 82810	2-Contact Socket for .750" Spaced, .125" Dia. Pins. Fig. M.
9K 857509	2-Contact Socket for .486" Spaced, .090" Dia. Pins. Fig. N.

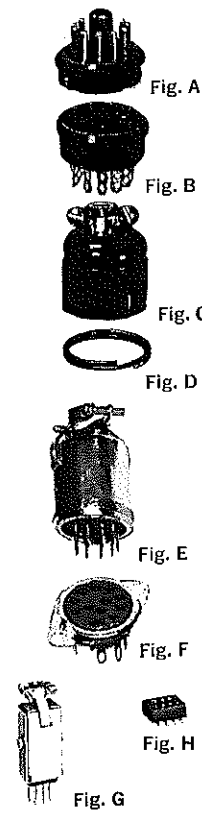


PART NO.	DESCRIPTION
9A 857508	4-Contact Socket for .486" Spaced, .090" Dia. Pins. Fig. O.
9C 855941	6-Contact Socket for 2 Freq. Crystal Ovens Fig. P.
9A 82050A01	4-Contact Socket for "Vibrasenders" & "Vibrasponders" Fig. Q.
9-80313A09	14 Pin Dip Socket For Integrated Circuits Fig. R
9-80313A10	16 Pin Dip Socket For Integrated Circuits Fig. R
9-84881F02	24 Pin Dip Socket For LSI Circuits Fig. S
9-84881F03	40 Pin Dip Socket For LSI Circuits Fig. S
9A 804942	8-Contact Socket for 6BF7 & 6BG7 Type Tubes. Fig. T.
9-84000B02	For use on tone remote control consoles-vibrasender socket. Fig. U.
9A 893224	Female 2 contact AC receptacle. Fig. V.
28A 893223	Male 2 contact plug (not shown)
42A 821428	Chassis Locking Ring. Fig. W.

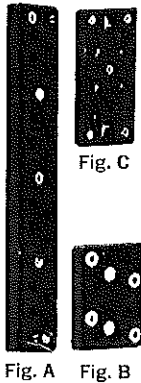


METERING SOCKETS AND PLUGS

PART NO.	DESCRIPTION
28A 813576	Male Plug, 11 Pin Molded Phenolic Fig. A.
9A 86864	Female Receptacle 11 Contact w/Snap Ring. Fig. B.
15A 483149	Shell for 11 Contact Connectors w/Cable Clamp. Fig. C.
15A 475055	Shell for 11 Contact Connectors less Clamp. Fig. C.
41A 483715	Locking Ring for All Above Shells. Fig. D.
1V 80754A26	Metering plug for "Motrac" radio 12 pin. Includes housing, clamps, and screws. Fig. E.
9C 82201E01	Socket for "Motrac" radio metering plug shown above (12 pin) Fig. F.
1-84258C54 (CLR)	Metering plug for Micor (7 Pin) includes housing, clamps, screws and sleeving. Fig. G.
1-84258C55 (RED)	Metering plug for Micor (7 Pin) includes housing, clamps, screws and sleeving. Fig. G.
9-84207B01	Socket for Micor Metering plug. Fig. H.



SOCKETS AND CONTACTS PORTABLE VIBRASENDER/VIBRASPONDER



PART NO.	DESCRIPTION
1V80733A51	Reed Socket Assembly Fig. A.
1B82520C02	Reed Socket Assembly Contact Length .185 to .205 Fig. B. (Replaces 1-82520C01)
1V80748A70	Reed Socket Assembly Fig. C.
39A82764D01	Reed Contact (used in printed circuit boards where Reed Sockets are not used.)

Standard microphone connectors

PART NO.	DESCRIPTION
9-830418	4 contact chassis fe- male receptacle (Replaces 9-16345)
9-82672G01	6 contact chassis fe- male receptacle Fig. A. (Replaces 9-881071)
9-84509H01	6 prong chassis male connector
9A 831337	4 contact cable fe- male receptacle
9A 800636	6 contact cable fe- male receptacle Fig. B.
28A 16370	4 prong cable male connector
28A 881072	6 prong cable male connector Fig. C.
4S 7699	Lockwasher for chas- sis receptacles
2A 81180	Chrome plated ring nut (large)
2A 482070	Nickel plated ring nut (small) Fig. D.

Pintip receptacle

PART NO.	DESCRIPTION
9A 833982	Black } Fig. I.
9A 833983	Red, }

Right angle pintip plug

PART NO.	DESCRIPTION
28A 82675C01	Black } Fig. J.
28A 82675C02	Red, }

Heavy duty connectors and plugs

Large, heavy duty type connectors intended for use with power supplies, test cables, battery chargers, etc.

PART NO.	DESCRIPTION
9K 868662	Receptacle, } Fig. K. black
9K 868661	Receptacle, } Red
28K 868660	Plug, black, } Fig. L.
28K 868659	Plug, red, }

Binding post type receptacles

PART NO.	DESCRIPTION
46B 861855	Black } Fig. M.
46B 861857	Red, }
46K 863924	Black } Fig. N.
46K 863925	Red, }
46K 865778	Black } Fig. O.
46K 865779	Red, }
14K 83734D01	Mounting insulator for positioning Fig. O for standard 3/4" spacing, Fig. P.
28A 804791	3/4" Dual plug, Fig. Q.

Test clips and insulators

PART NO.	DESCRIPTION
42A 82019G01	Mesh tooth type Fig. R.
14A 82020G01	Insulator, black, } Fig. S.
14A 82020G02	Insulator, red, }
42A 82455B01	Crocodile type, Fig. T.
14A 82456B01	Insulator, black } Fig. U.
14A 82456B02	Insulator, red, }
42A 865697	"Minigator" type, Fig. V.
14A 865698	Insulator, black } Fig. W.
14A 865699	Insulator, red, }

Test Prods, Needle Type

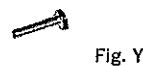
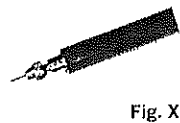
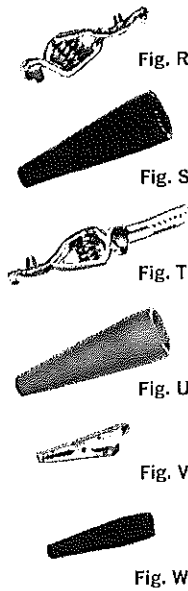
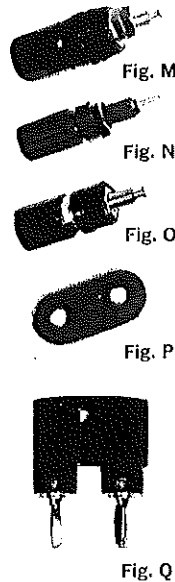
PART NO.	DESCRIPTION
29A 82676C01	Black } Fig. X.
29A 82676C02	Red, }

Speaker pins

PART NO.	DESCRIPTION
29-82072D03	Black .156" pin, Fig. Y. (Replaces 29-5402)
29-82072D01	.125" pin

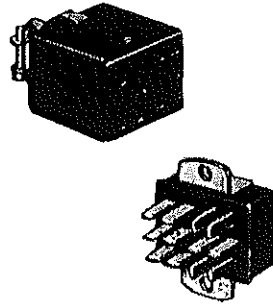
Socket for speaker pins

PART NO.	DESCRIPTION
9-82810	.156, Fig. Z. (Replaces 9-81685)





JONES SERIES 300 MATING SOCKETS AND PLUGS



Chassis Plug (Male)

MOTOROLA PART NO.	TYPE	CONTACTS
28A 812540	P-302-AB	2
28A 893284	P-304-AB	4
28A 84886	P-306-AB	6
28A 881246	P-308-AB	8
28A 483376	P-312-AB	12
28B 821728	P-315-AB	15
28A 893612	P-318-AB	18

Chassis Socket (Female)

MOTOROLA PART NO.	TYPE	CONTACTS
9A 891118	S-302-AB	2
9A 801241	S-304-AB	4
9A 898284	S-306-AB	6
9A 800449	S-308-AB	8
9A 82732	S-312-AB	12
9A 891537	S-315-EB	15
9A 898910	S-318-AB	18

Cable Socket (Female) w/Cable Clamp

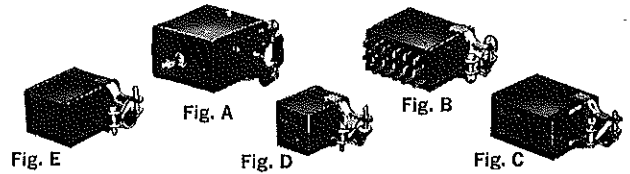
MOTOROLA PART NO.	TYPE	CONTACTS
9B 865701	S-302-CCT	2
9B 893290	S-304-CCT	4
9A 84885	S-306-CCT	6
9A 881245	S-308-CCT	8
9A 880725	S-312-CCT	12
9B 823659	S-315-CCT	15
9A 893613	S-318-CCT	18

Cable Plug (Male) w/Cable Clamp

MOTOROLA PART NO.	TYPE	CONTACTS
28A 891117	P-302-CCT	2
28A 898881	P-304-CCT	4
28A 898285	P-306-CCT	6
28A 800657	P-308-CCT	8
28A 82737*	P-312-	12
28B 891298	P-315-CCE	15
28B 890846	P-318-CCT	18

* Does not include Housing and Cable Clamps.

Order separate	15A 82739	Housing
	14A 82738	Insulator
	47A 82735	Pins (2 Req.)
	42A 82740	Clamp



STANDARD MOTOROLA CONTROL AND POWER CONNECTORS

PART NO.	FIG.	DESCRIPTION
1V 80715A24	A	19 contact female connector complete w/housing, thumb screw and cable clamps (Plastic housing.)
28B 890846	B	18 contact male plug w/housing used on all control cables for 15" housing mobiles.
9C 830033	C	6 contact female connector w/housing used on 12 volt power cable for T51G, etc.
9C 865123	C	8 contact female connector w/housing used on 12 volt power cable for T51GGD.
9B 800566	D	4 contact female connector w/housing used on power cable for front mtg. uni-channel.
9B 834756	E	6 contact female connector w/housing used on power cable for front mtg. D41, 43GGV, etc.

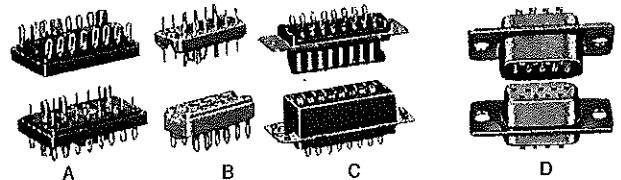


Micor

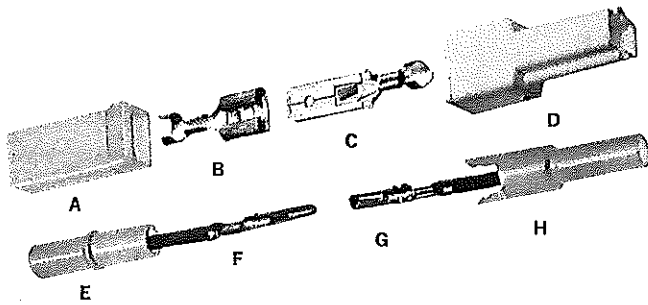
PART NO.	DESCRIPTION
1-84307A89	Female connector for Micor control cable includes 20 contacts

MATING SOCKETS AND PLUGS

for Mobile, "Handie-Talkie," Industrial "Dispatcher" & Motorcycle Radio Units



PART NO.	FIG.	DESCRIPTION
9C 801050	A	19 Contact Female Socket
28B 802820	A	19 Contact Male Plug
9B 804795	B	15 Contact Female Socket ("Handie-Talkie" Radio)
28B 804796	B	15 Contact Male Plug ("Handie-Talkie" Radio)
9B 848291	C	16 Contact Female Socket ("Handie-Talkie" Radio)
28B 847027	C	16 Contact Male Plug ("Handie-Talkie" Radio)
9-82847E01	D	9 contact female socket (used on H23DDC series HT)
28-82846E01	D	9 contact male connector (used on H23DDC series HT)
9-84673C01	Similar to C	24 Contact Female Socket (Replaces 9-851573) (Industrial "Dispatcher" Motorcycle Radio)
28B 851574	Similar to C	24 Contact Male Plug (Industrial "Dispatcher" Motorcycle Radio)
9-82152G01	Similar to C	32 contact female socket
28-82148G01	Similar to C	32 contact male plug



SINGLE CONTACT IN-LINE INSULATORS

PART NO.	FIG.	DESCRIPTION
14-859051	A	Insulator
29-859118	B	Female contact
29-82109E01	C	Male contact
14-82108E01	D	Insulator
14-83799G01	E	Insulator
39-10184A02	F	Male contact (Replaces 39-83797G01)
39-10184A01	G	Female contact (Replaces 39-83798G01)
14-83799G02	H	Insulator

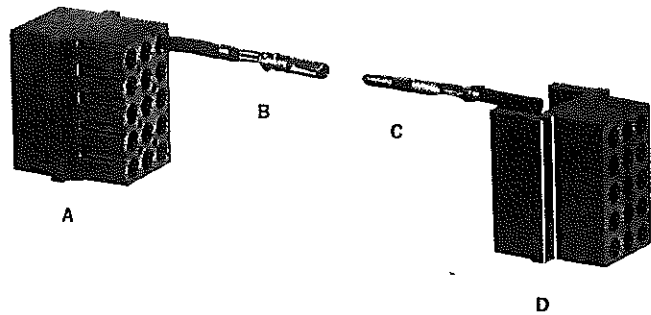
PK-497 Consists of 5 each of above insulators and 10 each of above contacts.

CRIMP-ON PIN CONTACTS AND TOOL

Standard pin-tip contact that can be installed in a matter of seconds with special tool listed below.



29-4080C03	Standard .092 diameter crimp on pin
66-4491A01	Installation tool

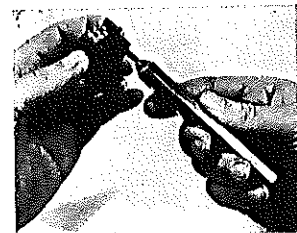


MATING RECEPTACLES AND PLUGS

PART NO.	FIG.	DESCRIPTION	MARKING
14-82917B01	A	12 contact socket	None
14-82337A03	D	12 contact plug	None (Replaces 14-82337A01)
14-83783A04	A	15 contact socket	M-R
14-82337A05	D	15 contact plug	None
14-83783A01	A	18 contact socket	A-F
14-82337A07	D	18 contact plug	A-F
14-83783A03	A	24 contact socket	A-H
14-82337A09	D	24 contact plug	A-H
14-83783A09	A	33 contact socket	A-L
14-82337A12	D	33 contact plug	A-L
14-83580A01	A	36 contact socket	None
14-82337A06	D	36 contact plug	None
14-83783A07	A	42 contact socket	A-O
14-82337A10	D	42 contact plug	A-O
29-82336A01	B	Female terminal	
29-82335A01	C	Male terminal	

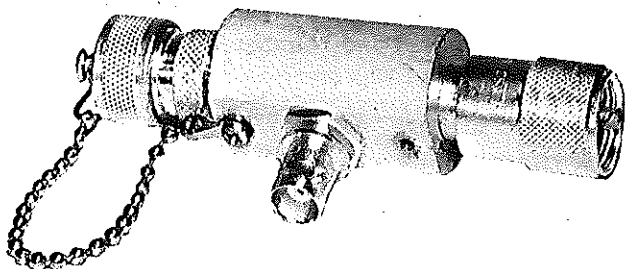
EXTRACTOR TOOL

This automatic extractor tool enables you to remove broken wire terminals from damaged plugs or connectors. Simply slip the barrel of the tool over the terminal, press in, and a pin releases the terminal from the base, without damaging the connector.



ST-946 Automatic Extractor Tool

Throughline Coupling Unit with Adjustable Tap-Off



This unique male and female UHF, throughline coupling unit features an adjustable BNC female tap-off. Use it with any frequency meter to monitor the output of low or medium power mobiles. Ideal for use with any Frequency Meter.

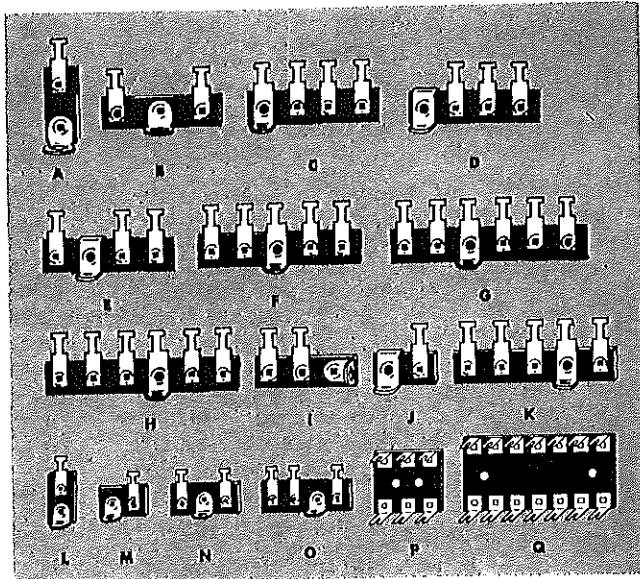
Simply insert the coupling unit in series with the r-f cable going to the wattmeter or dummy load. Depending on output power, loosen the jam nut and rotate the BNC tap-off to obtain the desired attenuation coupling.

Order Model SLN6321B

Terminals

LUG TYPE TERMINAL STRIPS

Single and multiple contact terminal strips, selected for strength, low loss, effective insulation of isolated terminals and overall quality.



Bakelite strips are 1/16" thick and 3/8" wide. Solder lugs are spaced on 3/8" centers.

PART NO.	
(A) 31R 490181	(G) 31R 120963
(B) 31R 124665	(H) 31K 121701
(C) 31K 121702	(I) 31R 119066
(D) 31R 121255	(J) 31R 490140
(E) 31R 121167	(K) 31R 121813
(F) 31R 118964	

Phenolic insulation 1/16" thick and 5/16" wide. Solder lugs are spaced on 1/4" centers.

PART NO.	
(L) 31A 121810	(N) 31B 118476
(M) 31R 119897	(O) 31R 120497

1/4" lugs spaced on 3/8" centers.

PART NO.	LUGS	DIMENSIONS
(P) 31A 483523	6	1-1/8 x 1-1/16 x 3/32
(Q) 31A 880813	14	2-5/8 x 1-5/16 x 1/16
(Q) 31A 84849	22	4-1/8 x 1-1/16 x 3/32

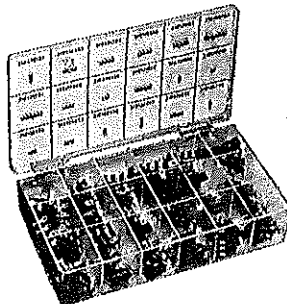
PDK-3111 Terminal Strip Assortment

An assortment of 200, 18 sizes of commonly used lug type strips that can be used in a wide variety of electronic applications.

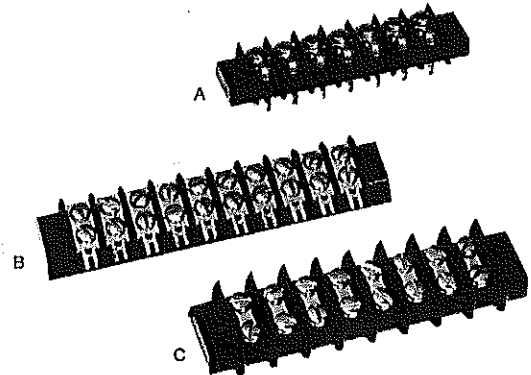
Dark brown bakelite strips are 1/16" thick and 3/8" wide. Solder lugs are spaced on 3/8" centers. Miniature strips included in this kit are 1/16" thick and 5/16" wide with solder lugs spaced on 1/4" centers.

Packaged in a sturdy 18 compartment plastic box with hinged cover. Identification card affixed to inside cover shows photo and part number of each item, making it easier for reordering.

You'll find this kit useful in any Radio shop or Service Van.

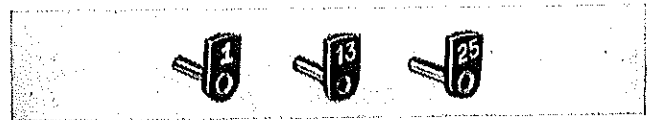


BARRIER STRIPS



PART NO.	NO. TERMINALS	WIDTH	LENGTH	FIG.
31-84259C04	3	1 3/8	2 3/4	A
31-84553A67	5	7/8	2 1/2	A
31-84560A28	5	1 1/8	3	A
31-84560A59	6	7/8	3	A
31-893733	7	7/8	3 5/16	A
31-84259C05	8	7/8	3 3/4	A
31-84257C41	10	7/8	4 1/2	A
31-892834	14	1 1/8	7 3/8	A
31-848888	5	7/8	2 1/2	B
31-82272B04	7	7/8	3 1/4	B
31-82226C01	10	7/8	4 3/8	B
31-880805	12	1 1/8	6	B
31-82226C02	14	7/8	5 7/8	B
31-848767	2	1 7/8	2 1/2	C
31-52465	2	7/8	1 7/8	C
31-844593	4	1 1/8	2 1/2	C
31-82596E01	5	1 1/16	3 3/4	C
31-475329	6	1 1/8	3 3/8	C
31-893249	6	7/8	2 7/8	C
31-801266	7	7/8	3 1/4	C
31-807040	10	7/8	4 3/8	C
31-846795	10	1 1/8	5 1/8	C
31-83393B01	11	7/8	4 3/4	C
31-848948	13	7/8	5 1/2	C
31-51777	16	1 3/8	10 1/2	Sim to C

TERMINAL PINS



29K890401 to 29K890451 terminal pins. Last 2 digits in part number indicate number on pin. 29K802014 terminal pin is a blank. Available in packages of five, not assorted, and as a complete assortment with numbers from 1 to 51 plus a blank. Complete assortment—Order PDK-291.

Optional pins, numbers 52 to 56.

29K835340 #52	29K847962 #55
29K847961 #54	29K847963 #56

Crimp-On Terminal and Numbered Sleeves

Crimp-on terminals found on newer cable kits for use with numbered sleeves below. These terminals will fit all control heads. 29-82602D01.

Numbered sleeves for use with 29-82602D01 sleeves above are heat shrinkable (heat gun or soldering iron). The last two digits of the part number correspond to the marking on the sleeve. (e.g. 37-82603D52 is a number 52 sleeve) 37-82603D60 is a blank. 37-82603D01 thru D60.

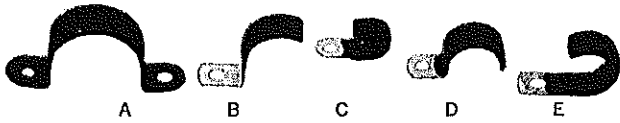
INSULATED AND RUBBER COVERED CABLE CLAMPS

PLASTIC CABLE HOLD-DOWN CLAMPS WITH SINGLE HOLE MOUNTING



PART NO.	FOR CABLE SIZE
42A82143C03	1/8"
42A82143C01	3/16"
42A82143C02	1/4"
42K861179	5/16"
42B859067	1/2"
42A82143C04	3/8"
42K868498	1"

METAL RUBBER CLAD CABLE CLAMPS SINGLE HOLE MOUNTING



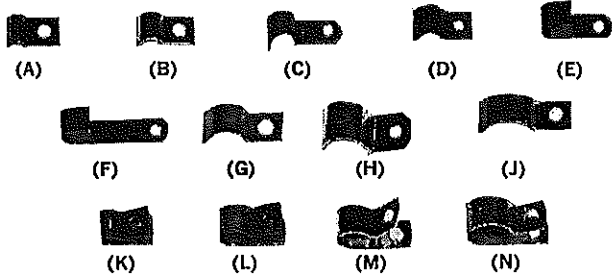
PART NO.	FIG.	OPENING DIMENSION
42A881156	C	1/4"
42A80273	E	5/8"
42A82130D02*	A	5/8"
42A84179	B	5/8"
42A861093	D	3/4"
42A845027	A	1"

*Same as 42A80273 except 1/2" wide and has a 1/4" hole.

INSULATED FEED THROUGH CABLE CLAMPS

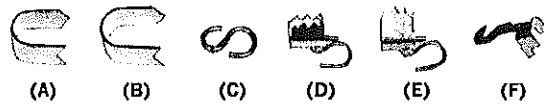


PART NO.	FOR WIRE SIZE	MOUNTING HOLE
42B850861	.25	.50
42K850862	.325	.656
42K850925	.19 x .39	.56 x .73
42B82018H01	.340	.57 x .625
42B82018H02	.405	.670 x .750
42B82018H03	.560	.840 x .875
42B82018H04	.405	.815 x .875



CABLE CLAMPS

PART NUMBER	I.D.	FIG.
42S 76724	3/8	A
42K 482545	1/4	B
42A 82279E01	1/4	C
42S 22634	3/8	D
42S 13135	3/8	E
42S 10452	3/8	F
42K 86685	3/8	G
42A 891310	1/2	H
42A 16152	3/8	J (Replaces 42-83409)
42A 82594B01	3/8 open	K
42K 475834	3/8 open	L
42K 802007	1 3/8 open	M
42A 475257	1 3/8 open	N



CABLE CLAMPS and "S" HOOKS FOR CONTROL CABLES, HANDSETS, ETC.

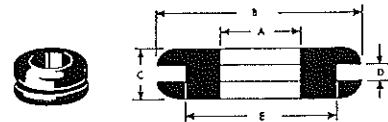
PART NUMBER	CABLE SIZE	FIG.
42A 858681	3/8 less S hook	A
42A 893468	1/4 less S hook	B
42A 893464	S hook for above	C
42A 893647	3/8 with S hook	D
42K 801273	1/4 with S hook	E
42A 82782A01	3/8	F

SPEED NUTS



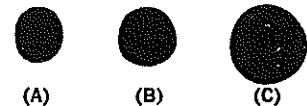
PART NUMBER	SCREW SIZE & DESCRIPTION
2S 115419	3/4 Rect.
2S 7087	1/2 Rect.
2S 7053	1/8 Rect.
2K 851931	1/4 Rect.
2K 850924	1/8 Rect.
2C 82360B04	#8 Rect.
2S 10101A87	3/16 Rect. (Replaces 2-82360B03)
2K 859475	3/8 Rect.
2C 82360B06	1/4 Slip-On Type
2C 82360B07	#14 Slip-On Type

FLEXIBLE RUBBER GROMMETS



PART NO.	HOLE SIZE (A)	O.D. (B)	THICK-NESS (C)	SLOT (D)	MTG. WIDTH (E)
37K 16754	1/4	1/2	5/32	1/32	11/32
37K 106352	5/16	9/16	3/16	1/16	7/16
37K 107234	3/8	5/8	1/4	1/16	1/2
37K 18023	3/8	13/16	3/8	1/16	1/2
37K 806001	3/8	1-1/4	1/4	1/16	1
37K 83159	7/16	3/4	1/4	1/16	9/16
37K 101643	9/16	7/8	15/64	1/16	3/4
37K 107997	5/8	1-1/8	5/16	1/16	7/8
37K 103890	3/4	1-3/8	3/8	1/16	1-1/16
37K 891401	1	1-3/4	7/16	1/16	1-3/8

RUBBER BUMPERS



PART NUMBER	FIGURE
37A 87224	A
37A 482052*	B
75A 864052	C

*molded with screw

RUBBER SLEEVES



PART NO.	I.D.	LENGTH
37K 61346	3/16	1-1/4
37K 61347	1/4	1-1/4
37K 61348	1/8	5/8
37K 50637	1/2	1-1/4
37K 50638	5/16	1-1/4
37K 50639	5/32	1
37K 847035	3/32	5/8



Hardware Assortment

A Contains 50 tubes of standard 4-40, 6-32, 8-32 and 10-32 slotted binder head machine screws. Sizes range from 1/4" to 1 inch. All have matching nuts, lockwashers, flat-washers and split washers. This generous assortment is rounded off with a selection of the most frequently used "specials" such as sleeves, rivets and speaker terminal pins. A sturdy, metal rack is included free with the complete assortment. All the contents of this assortment are listed in the chart at right.

- 50 Tubes of most commonly used hardware for 2-way radio servicing
- In clear plastic tubes
- Identified for ease of stock inventorying, re-ordering and selection
- On sturdy metal rack
- Easily mounted on a wall
- For service trucks as well as shops

PK-11A Hardware Assortment
ST-103 Rack only
ST-130 Empty Tubes

Set Screw Assortment Kit

B Why spend valuable service time in fishing through a jumble of spare parts? Have this convenient kit at your fingers reach when a requirement for a lost or damaged set screw arises.

Here's an assortment of 150 Allen-Head set screws for a variety of applications in the electronic field. This kit provides sizes of 2-56, 4-40, 6-32, 8-32, 10-32 and 1/4" in commonly used lengths. Packaged in a sturdy constructed 12-compartment plastic box with an identification card affixed to the inside cover. Card provides the set screw sizes and Motorola part numbers for easy reordering.

PK-312 Set Screw Assortment Kit

PART NO.	DESCRIPTION	APPROXIMATE NUMBER IN TUBE
#4-40 SCREWS, WASHERS AND NUT		
3-8022	4-40 x 1/4" Slit. Bin Machine Screw	75
3-1930	4-40 x 3/8" Slit. Bin Machine Screw	75
3-1452	4-40 x 1/2" Slit. Bin Machine Screw	50
3-1437	4-40 x 5/8" Slit. Bin Machine Screw	50
3-2260	4-40 x 3/4" Slit. Bin Machine Screw	40
3-114832	4-40 x 1" Slit. Bin Machine Screw	30
4-7683	#4 Internal Lockwasher	100
4-114583	#4 Split Lockwasher	100
2-7019	4-40 x 1/4 x 1/2 Hex Nut	50
4-7607	3/2 x 1/8 x .027 Flatwasher	100
#6-32 SCREWS, WASHERS AND NUT		
3-7164	6-32 x 1/4" Slit. Bin Machine Screw	65
3-7229	6-32 x 3/8" Slit. Bin Machine Screw	50
3-7362	6-32 x 1/2" Slit. Bin Machine Screw	50
3-7342	6-32 x 5/8" Slit. Bin Machine Screw	40
3-7346	6-32 x 3/4" Slit. Bin Machine Screw	30
3-7363	6-32 x 1" Slit. Bin Machine Screw	25
4-7650	#6 Internal Lockwasher	100
4-7669	#6 Split Lockwasher	100
2-7005	6-32 x 1/4 x 1/2 Hex Nut	50
4-1720	3/8 x .156 x .030 Flatwasher	100
#8-32 SCREWS, WASHERS AND NUT		
3-7154	8-32 x 1/4" Slit. Bin Machine Screw	50
3-9661	8-32 x 3/8" Slit. Bin Machine Screw	50
3-7258	8-32 x 1/2" Slit. Bin Machine Screw	40
3-7279	8-32 x 5/8" Slit. Bin Machine Screw	30
3-7365	8-32 x 3/4" Slit. Bin Machine Screw	25
3-115341	8-32 x 1" Slit. Bin Machine Screw	20
4-7651	#8 Internal Lockwasher	100
4-7671	#8 Med. Split Lockwasher	100
2-7003	8-32 x 3/8 x 1/2 Hex Nut	50
4-7562	3/4 x .187 x .033 Flatwasher	50
#10-32 SCREWS, WASHERS AND NUT		
3-121768	10-32 x 1/4" Slit. Bin Machine Screw	40
3-6963	10-32 x 3/8" Slit. Bin Machine Screw	50
3-1209	10-32 x 1/2" Slit. Bin Machine Screw	30
3-6946	10-32 x 5/8" Slit. Bin Machine Screw	25
3-7385	10-32 x 3/4" Slit. Bin Machine Screw	20
3-118030	10-32 x 1" Slit. Bin Machine Screw	15
4-7658	#10 Internal Lockwasher	100
4-7673	#10 Split Lockwasher	75
2-7048	10-32 x 3/8 x 1/2 Hex Nut	50
4-1712	3/4 x 1/4 x .033 Flatwasher	50
MISCELLANEOUS HARDWARE		
3-122897	4-40 x 1/4" Pin. Hex Lockscrew	35
3-122080	6-32 x 1/4" Pin. Hex Lockscrew	25
3-129281	6-32 x 3/16" Phl. Rnd. Stl. Pol. Chr. Lockscrew	25
3-2941	6-32 x 1/4" Phl. Rnd. Stl. Pol. Chr. Machine Screw	25
3-124183	#8 x 1" Pin. Hex Tapping Screw	15
3-8101	#8 x 1/2" Stl. Pan Hd. Tapping Screw	40
37-61348	3/8 x 1/8 x 5/8 Neoprene Sleeve	30
PDK-51	Assorted Rivets	100
29-82072D01	.125 Black Terminal Pin	6
29-82072D02	.125 White Terminal Pin	6

HARDWARE IN TUBES AND BOXES OF 500
**MACHINE SCREW — STEEL-CAD
(SLOTTED BINDER HEAD)**


Part No.	Body Size TPI	Length	Approx. Qty. In Tube	For Box/500 Order
3S 1911	2-56	1/4	30	PK 268
3S 1578	2-56	3/4	30	↓
3S 1960	2-56	3/8	30	↓
3S 1920	3-48	1/4	30	↓
3S 114795	3-48	3/4	30	↓
3S 8022	4-40	1/4	75	PK 273
3S 1943*	4-40	3/4	100	↓
3S 1930	4-40	3/8	75	↓
3S 1452*	4-40	1/2	50	↓
3S 1437	4-40	5/8	50	PK 277
3S 2260	4-40	3/4	40	↓
3S 114832	4-40	1	30	↓
3S 7164*	6-32	1/4	65	↓
3S 7178	6-32	3/4	50	↓
3S 7229*	6-32	3/8	50	↓
3S 7362*	6-32	1/2	50	↓
3S 7342	6-32	5/8	40	↓
3S 7346	6-32	3/4	30	PK 285
3S 7363	6-32	1	25	↓
3S 7154	8-32	1/4	50	↓
3S 7162	8-32	3/4	50	↓
3S 9661*	8-32	3/8	50	↓
3S 7258*	8-32	1/2	40	↓
3S 7279	8-32	5/8	30	↓
3S 7365	8-32	3/4	25	↓
3S 115341	8-32	1	20	↓
3S 121768	10-32	1/4	40	↓
3S 7171	10-32	3/4	40	↓
3S 6963	10-32	3/8	40	↓
3S 1209	10-32	1/2	30	↓
3S 6946	10-32	5/8	25	↓
3S 7385*	10-32	3/4	20	↓
3S 118030	10-32	1	15	↓

**INTERNAL LOCKWASHERS
— STEEL-CAD**


Part No.	Screw Size	Hole Size	O.D.	Approx. Qty. In Tube	For Box/500 Order
4S 8406	# 2	.089-.095	.180	100	↓
4S 7683*	# 4	.116-.123	.250	100	↓
4S 7650*	# 6	.142-.150	.280	100	PK 303
4S 7651*	# 8	.168-.179	.331	100	PK 304
4S 7658*	#10	.195-.204	.375	100	PK 305
4S 7670*	1/4	.256-.267	.472	75	PK 306
4S 7674	3/4	.320-.332	.600	50	↓
4S 7655	3/8	.384-.398	.685	35	PK 308
4S 2640	1/2	.512-.529	.781	25	↓

**EXTERNAL LOCKWASHERS
— STEEL-CAD**

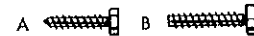

Part No.	Screw Size	Hole Size	O.D.	Approx. Qty. In Tube	For Box/500 Order
4S 7667	4	.116-.123	.250	100	↓
4S 7666	6	.142-.150	.312	100	↓
4S 7657*	8	.168-.176	.375	100	PK 312
4S 7652	10	.195-.204	.400	75	PK 313

HEX NUTS — STEEL-CAD


Part No.	Thread	Width	Approx. Qty. In Tube	For Box/500 Order
2S 7041	2-56	3/16	50	PK 314
2S 8354	3-48	3/16	50	↓
2S 7019	4-40	1/4	50	PK 316
2S 7005	6-32	1/4	50	PK 317
2S 7003	8-32	3/16	50	PK 318
2S 7048	10-32	3/16	50	↓
2S 7009	10-32	3/8	50	PK 320
2S 2878	1/4-20	3/16 (1/2 thk)	25	PK 321
2S 119495	1/4-20	3/16 (1/2 thk)	15	↓

**1/4-20 HEX HEAD BOLTS
(STEEL CAD)**


Part No.	Body Size TPI	Length	Not Available In Boxes or Tubes
3S 122358	1/4-20	3/8	—
3S 121856	1/4-20	1/2	—
3S 6990	1/4-20	3/4	—
3S 9693	1/4-20	1	—
3S 7328	1/4-20	1 1/4	—
3S 9694	1/4-20	1 1/2	—
3S 114993	1/4-20	1 3/4	—
3S 1845	1/4-20	2	—
3S 125428	1/4-20	2 1/2	— (Replaces 3-1844)

**TAPPING SCREWS
— PLAIN HEX**


Part No.	Screw Size	Length	Type	Approx. Qty. In Tube	For Box/500 Order
3S 400356	4	1/4	B	40	↓
3S 3398	6	3/8	B	20	↓
3S 3360	6	1/2	B	20	↓
3S 7454	8	1/4	B	30	PK 326
3S 7467	8	3/8	B	30	PK 327
3S 7512	8	1/2	B	30	PK 328
3S 8153	8	3/4	A	30	PK 329
3S 7453	8	1	B	20	↓
3S 8176	10	3/8	B	30	PK 331
3S 8188	10	1/2	B	30	PK 332
3S 7482	10	3/4	B	25	↓
3S 114056	10	1	A	20	PK 334
3S 8146	10	1 1/4	A	15	PK 335

**FLAT METAL WASHERS
— STEEL-CAD**


Part No.	Screw Size	Hole Size	O.D.	Approx. Qty. In Tube	For Box/500 Order
4S 7607*	4	1/8	3/2	100	↓
4S 1720*	6	3/2	3/8	100	↓
4S 7562*	8	3/4	3/4	50	PK 338
4S 1706	10	1 3/4	3/8	50	↓
4S 1712	10	1 3/4	3/8	50	↓
4S 7563	10	1 3/4	5/8	40	↓
4S 1792	1/4	3/2	3/8	30	↓

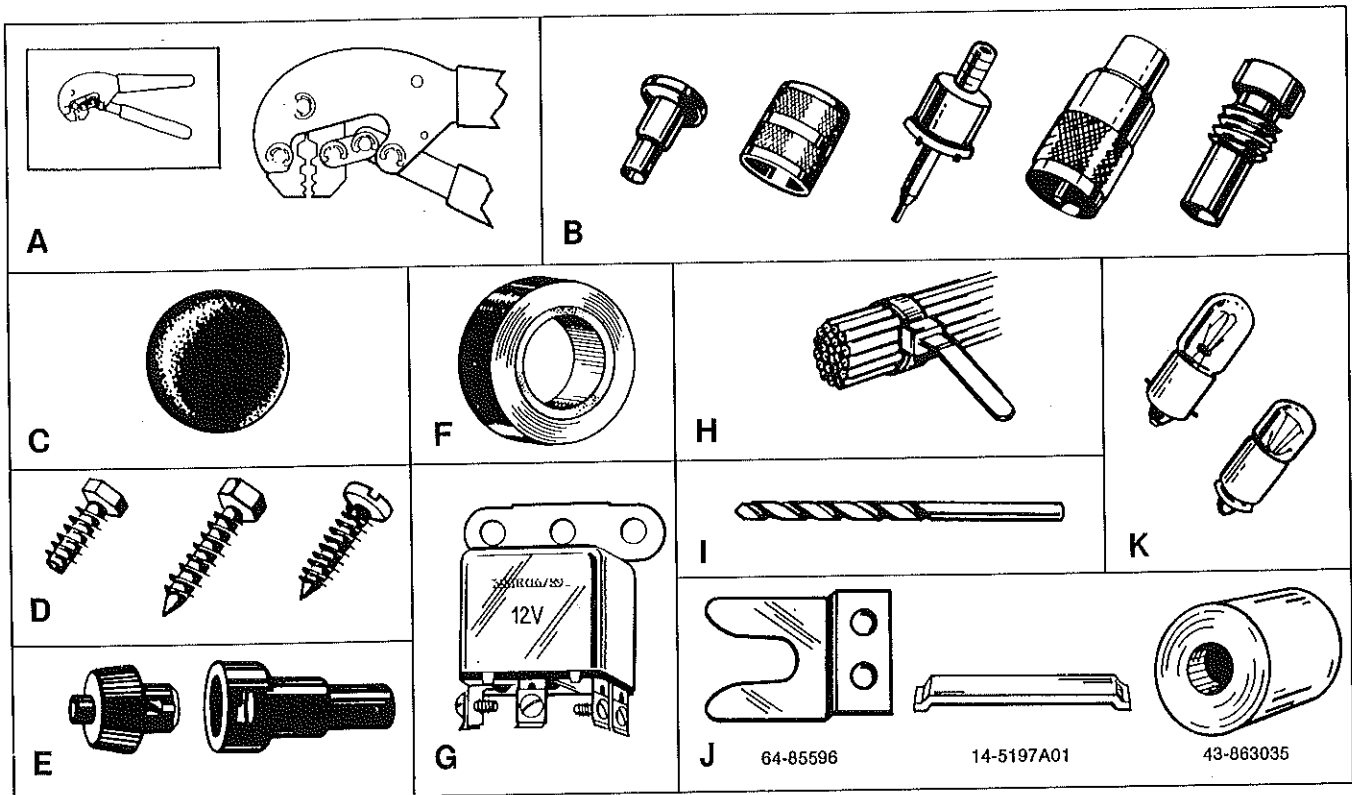
SPLIT TYPE LOCKWASHERS


Part No.	Screw Size	Hole Size	O.D.	Approx. Qty. In Tube	For Box/500 Order
4S 114583	4	—	—	100	↓
4S 7669	6	—	—	100	↓
4S 7671*	8	—	—	100	PK 345
4S 7673*	10	—	—	75	↓
4S 400449	1/4	—	—	50	PK 347

RIVETS — STEEL-POLISHED NICKEL


Part No.	Body Size	Length	Approx. Qty. In Tube	For Box/500 Order
5S 8497	.088	1/8	50	↓
5S 7771	.088	3/16	50	↓
5S 7774	.088	1/4	50	PK 350
5S 7759	.088	3/16	50	↓
5S 7706	.122	1/8	50	↓
5S 7701	.122	3/16	50	↓
5S 7700	.122	1/4	50	PK 354
5S 7728	.122	3/16	50	↓
5S 7791	.122	3/8	50	↓
5S 2839	.122	3/16	50	↓

* Included in Hardware Rack Assortment
 ↓ Not Available in Boxes of 500



Important! Order items by special number designating quantity of packages desired, not individual units. Example: If you wish to order 200, 38-83042H74 hole plugs, submit your order as 2 packs RBP38-83042H74.

Crimping Tools

A Crimping tool for RG8/U, RG58/U or RG59/U "crimp-on" connectors. One per package.

RSX-4024A Crimping Tool. (Replaces RSX-4000A)

Connectors/Reducers

B 100/pk except where noted

- RBP28-42310** Connector. PL259 for RG58A and RG8A/U.
- RBP28-80324A75** Connector. Crimp-on type CP-L259-1 for RG58-59/U.
- RBP28-80324A76** Connector. Crimp-on type CP-L259-12 for RG8/U.
- RBP58-854020** Reducer. UG175/U for RG58A/U.
- RBP58-848363** Reducer. UG176/U for RG58/U. 25/pk.
- RBP28-82021G01** PL-259 plug, teflon insulation. Suggested use all frequencies up to 1GHz.
- RBP28-80325A29** PL-259 plug, same as 28-82021G01 except with silver barrel which allows easy soldering of the braid.

Antenna Hole Plugs

C 100 per package

- RBP38-83042H73** Antenna Hole Plug. $\frac{3}{8}$ " x $1\frac{1}{4}$ ".
- RBP5-803001** Antenna Hole Plug. $\frac{3}{4}$ " x $1\frac{1}{2}$ ".
- RBP38-83042H74** Antenna Hole Plug. $\frac{7}{8}$ " x $1\frac{1}{2}$ ".

Common Mtg. Screws

D 1000 per package

- RBP3-7467** PLN Hex Head Screws #8-18 x $\frac{3}{8}$ ".
- RBP3-122830** Slit. Pan Head Screws #8-15 x $\frac{1}{2}$ ".
- RBP3-125947** L Hex Head Screws #14-10 x $\frac{3}{4}$ ".
- RBP3-129278** L Hex Head Screws #14-10 x 1".
- RBP3-132277** L Hex Head Screws #14-10 x $1\frac{1}{2}$ ".

Misc. Electrical

- E** **RBP1-82779C01** 3AG Fuse Holder. 100/pk.
- F** **RBP11-80324A59** Plastic Electrical Tape, $\frac{3}{4}$ " x 66". 100/pk.
- G** **RBP59-813674** Horn Relays. 25/pk.

Cable Ties

H These self-adjusting, self-locking ties provide a permanent neat harness and can be applied either by hand or tool. The one-piece molded units are made of the finest virgin nylon and combine outstanding physical properties such as light weight, abrasion resistance, high

tensile strength, exceptional dielectric properties with chemical resistance to common solvents, alkalis, dilute acids, oils and grease. To install, simply tighten to desired tension and cut off excess strap. Shipped 1000 per package.

- 42-80313A70** Cable tie. Overall length, $3\frac{3}{4}$ ". Max. bundle dia. $\frac{5}{8}$ ".
- 42-80313A71** Cable tie. Overall length, $8\frac{1}{2}$ ". Max. bundle dia. 2".

Drill Bits

I 24 per package

- RBP66-80324A56** $\frac{1}{8}$ " Size Drill Bits.
- RBP66-80324A57** $\frac{3}{16}$ " Size Drill Bits.
- RBP66-80324A58** $\frac{1}{4}$ " Size Drill Bits.

Installation and Service Parts

JA A number of miscellaneous installations and service parts are also available in bulk packages.

- RBP64-85596** Microphone hang-up clip. 50/pk.
- RBP14-5197A01** Code lens cap for "Pageboy II" Pager. 50/pk.
- RBP43-863035** 1" spacer bushing for mobile trunk mount installation. 100/pk.

Console Bulbs

K 100 per package

- RBP65-83358H06** Type #327 Console Bulb.
- RBP65-84991B01** Type #388 Console Bulb.
- RBP65-82010C16** Type #757 Console Bulb.
- RBP65-810161** Type #1829 Console Bulb.

Terminals and Splices

Ring and spade terminals and splices are available in packages of 100. One-piece design, tin-plated copper terminals and splices have wire range clearly stamped on back for quick identification.

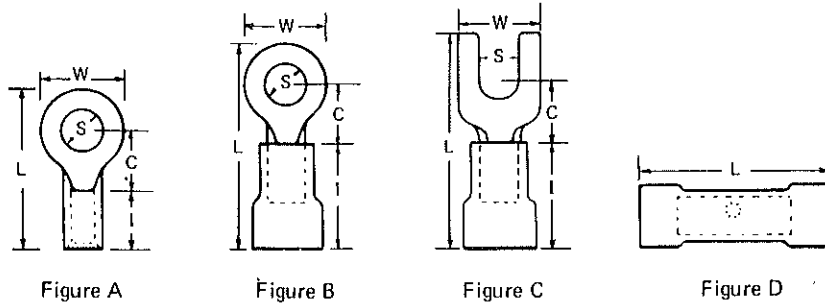


Figure A

Figure B

Figure C

Figure D

Part No.	Figure	Description	Insulation Color	Stud Size -S-	Width -W-	Length -L-	Clearance -C-	-I-	Stock Thickness	Wire Insulation		Wire Size
										Diameter	Max.	
Non-Insulated												
29-80315A59	A	Ring	—	5/16"	15/32"	57/64"	13/32"	1/4" Min.	.032"	—	—	22-18 Ga.
29-80315A60	A	Ring	—	10 Ga.	5/16"	45/64"	9/32"	1/4" Min.	.032"	—	—	16-14 Ga.
29-80315A61	A	Ring	—	10 Ga.	3/8"	3/4"	5/16"	1/4" Min.	0.40"	—	—	12-10 Ga.
29-80315A62	A	Ring	—	1/4"	17/32"	59/64"	13/32"	1/4" Min.	.040"	—	—	12-10 Ga.
29-80315A63	A	Ring	—	5/16"	17/32"	59/64"	13/32"	1/4" Min.	.040"	—	—	12-10 Ga.
29-80315A64	A	Ring	—	3/8"	19/32"	1-1/32"	31/64"	1/4" Min.	.040"	—	—	12-10 Ga.
29-80315A65	A	Ring	—	1/4"	15/32"	61/64"	11/32"	5/16" Max.	.050"	—	—	8 Ga.
29-80315A66	A	Ring	—	5/16"	15/32"	61/64"	11/32"	5/16" Max.	.050"	—	—	8 Ga.
29-80315A67	A	Ring	—	3/8"	19/32"	1-5/64"	13/32"	5/16" Max.	.050"	—	—	8 Ga.
Insulated												
29-80315A50	B	Ring	Red	10 Ga.	5/16"	53/64"	5/16"	23/64" Max.	.032"	.145"	—	22-18 Ga.
29-80315A53	B	Ring	Blue	10 Ga.	11/32"	27/32"	5/16"	23/64" Max.	.032"	.175"	—	16-14 Ga.
29-80315A56	B	Ring	Yellow	10 Ga.	3/8"	1-1/16"	5/16"	9/16" Max.	.040"	.255"	—	12-10 Ga.
29-80315A57	B	Ring	Yellow	5/16"	17/32"	1-15/64"	11/32"	9/16" Max.	.040"	.215"	—	12-10 Ga.
29-80315A51	C	Spade	Red	5-6 Ga.	19/64"	47/64"	7/32"	23/64" Max.	.032"	.145"	—	22-18 Ga.
29-80315A54	C	Spade	Blue	10 Ga.	3/8"	53/64"	1/4"	23/64" Max.	.032"	.175"	—	16-14 Ga.
43-80315A52	D	Splice	Red	—	—	15/16"	—	—	—	.145"	—	22-18 Ga.
43-80315A55	D	Splice	Blue	—	—	15/16"	—	—	—	.200"	—	16-14 Ga.
43-80315A58	D	Splice	Yellow	—	—	1-1/16"	—	—	—	.255"	—	12-10 Ga.

CROSS REFERENCE

BULK PROGRAM ITEMS VS. SIMILAR ITEMS

ON NUMBERS NOT LISTED BELOW DELETE RBP PREFIX FOR SIMILAR ITEM.

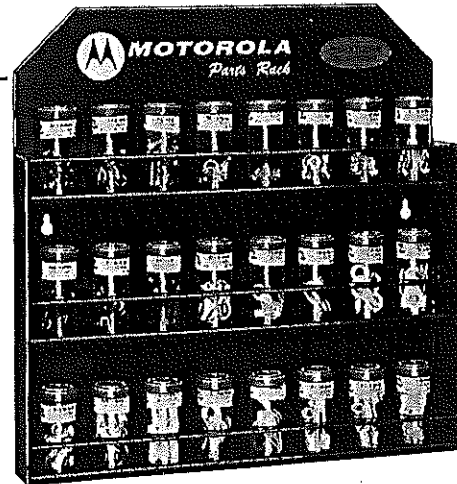
New Bulk Item		Similar Existing Item	
Part Number	Packaging	Part Number	Packaging
29-80315A59	100/pk	29-834053	10/tu
29-80315A60	100/pk	29-832115	10/tu
29-80315A61	100/pk	29-824154	10/tu
29-80315A62	100/pk	29-824152	10/tu
29-80315A63	100/pk	29-830073	10/tu
29-80315A64	100/pk	29-832116	10/tu
29-80315A65	100/pk	29-868311	5/tu
29-80315A66	100/pk	29-824454	5/tu
29-80315A67	100/pk	29-847817	5/tu
29-80315A50	100/pk	29-867965	20/tu
29-80315A53	100/pk	29-867966	20/tu
29-80315A56	100/pk	29-867967	10/tu
29-80315A57	100/pk	29-867968	10/tu
29-80315A51	100/pk	29-868310	20/tu
29-80315A54	100/pk	29-867964	20/tu
43-80315A52	100/pk	43-867962	20/tu
43-80315A55	100/pk	43-867963	20/tu
43-80315A58	100/pk	43-857515	20/tu
42-80313A70	1000/pk	42-84066A60	10/pk
42-80313A71	1000/pk	42-84066A61	10/pk
RPX-4500A	100/pk	28-42310	2/pk
RPX-4501A	100/pk	58-854020	5/pk

Terminals

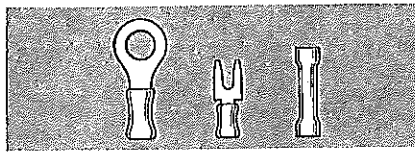
SOLDERLESS TERMINALS ASSORTMENT IN FREE METAL RACK

Motorola's line of "API" Terminals has been carefully selected to meet a wide variety of applications involving communications equipment. Solderless Terminals have characteristics which enable them to withstand maximum vibration and feature pull-out strength designed to approach closely the tensile strength of the wire. Complete package includes one tube each of the assortment listed below. Insulated terminals are conveniently color-coded in red, blue, & yellow to readily identify wire size.

PDK-292 Solderless Terminal Assortment
 ST174 Rack Only
 ST130 Plastic Vial Only



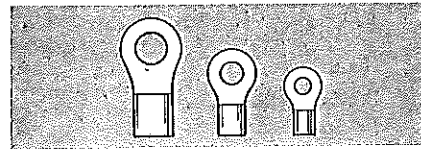
INSULATED TERMINALS AND SPLICES



RING SPADE SPLICE

WIRE SIZE	STUD SIZE	PART NO.	DESCRIPTION	QTY. IN TUBE
22-16	10	29A 867965	Lug, Ring	20
	5-6	29K 868310	Lug, Spade	20
	—	43K 867962	Splice Coded Red	20
16-14	10	29K 867966	Lug, Ring	20
	10	29K 867964	Lug, Spade	20
	—	43K 867963	Splice Coded Blue	20
12-10	10	29K 867967	Lug, Ring	10
	5/16	29K 867968	Lug, Ring	10
	—	43A 857515	Splice Coded Yellow	10

NON-INSULATED RING TONGUE LUGS



WIRE OR CABLE SIZE	STUD SIZE	PART NO.	QTY. IN TUBE
22-16	5/16	29K 834053	10
16-14	10	29K 832115	10
	10	29K 824154	10
12-10	1/4	29B 824152	10
	5/16	29K 830073	10
	3/8	29K 832116	10
#8	1/4	29K 868311	5
#8	5/16	29K 824454	5
#8	3/8	29K 847817	5
#6	1/4	29K 830075	5
#6	5/16	29K 830074	5
#6	3/8	29K 847816	5
#4	1/4	29K 830076	5
#4	5/16	29K 824153	5
#4	3/8	29K 847815	5

CRIMPING TOOLS

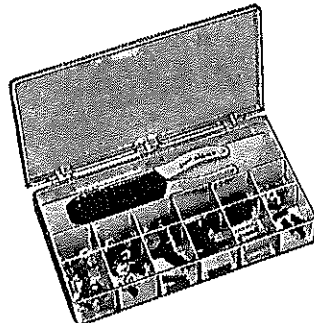


"SUPER CHAMP" CRIMPER

Crimps terminals and strips wire from 22 to 10 gage, shears screws, and bolts up to 3/16" diameter—plastic sleeves on handles are shock and slip proof. ST120 Super Champ*.

PDK-293 12 PAC INSULATED LUG ASSORTMENT

PDK-293 contains 12 of the most commonly used terminal lugs for radio servicing. Its selection of spade, tongue and wire splice lugs meet all standard wire sizes. "Super champ" crimper is also included for simplified bolt and wire cutting and stripping.



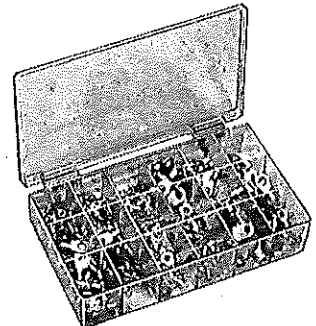
PDK-293 Insulated Lug Assortment

PDK-294 Insulated Lug Assortment less Crimping Tool

PDK-295 18 PAC

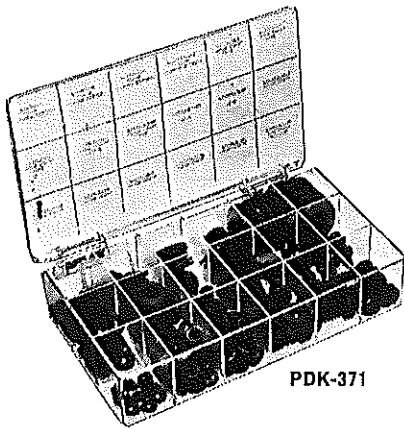
NON-INSULATED RING TONGUE ASSORTMENT

PDK-295 a generous assortment of the most commonly used tongue lugs for standard wire sizes. Here is a must assortment for on-the-spot maintenance of cables and other electrical accessories.

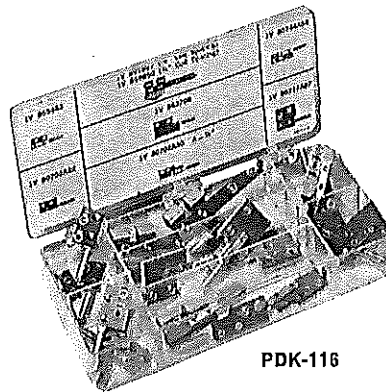


PDK-295 Ring Tongue Lug Assortment

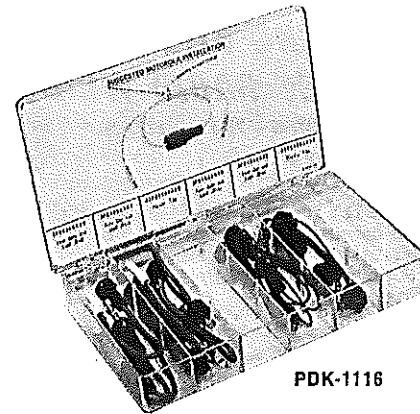
*"Super Champ", and API are trademarks of Aircraft Marine Products, Inc.



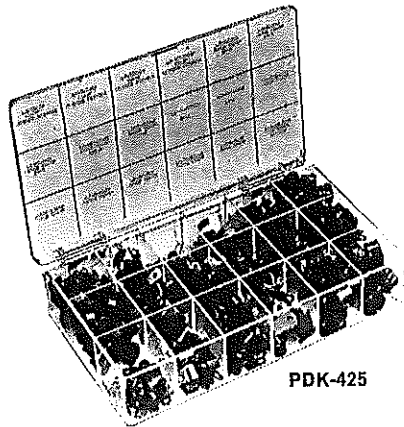
PDK-371



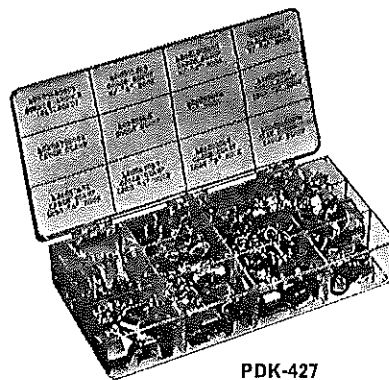
PDK-116



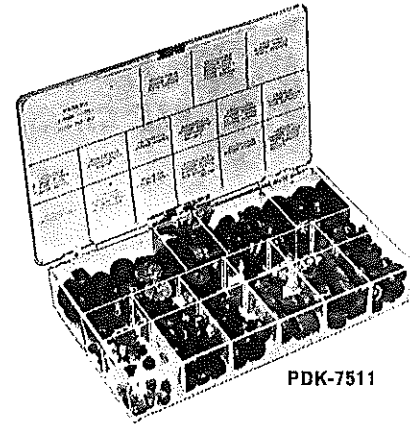
PDK-1116



PDK-425



PDK-427



PDK-7511

PDK-371 INSULATED GROMMET KIT, includes most of the commonly used Grommets in the two-way line. Most are not referenced in the manuals or shown anywhere in the Buyer's Guide. A Grommet Kit is invaluable in installations and construction projects. Kit contains 441 pieces.

The insulated grommet kit includes

QTY.	PART NO.	DESCRIPTION
50	37K85556	Grommet $\frac{1}{8}$ " I.D. $\frac{3}{8}$ " O.D. For $\frac{1}{4}$ " Hole
25	37K482424	Grommet $\frac{3}{16}$ " I.D. $\frac{5}{8}$ " O.D. For $\frac{1}{2}$ " Hole
20	37-82633B02	Grommet $\frac{1}{2}$ " I.D. $\frac{3}{4}$ " O.D. For $\frac{5}{8}$ " Hole
25	37-12706	Grommet $\frac{3}{8}$ " I.D. $\frac{1}{2}$ " O.D. For $\frac{1}{2}$ " Hole
4	37K857966	Grommet $1\frac{1}{4}$ " I.D. $2\frac{1}{2}$ " O.D. For $1\frac{1}{8}$ " Hole
4	37K891401	Grommet $1\frac{1}{2}$ " I.D. $1\frac{3}{4}$ " O.D. For $1\frac{3}{8}$ " Hole
25	37K101643	Grommet $\frac{5}{8}$ " I.D. $\frac{7}{8}$ " O.D. For $\frac{3}{4}$ " Hole
10	37K107997	Grommet $\frac{5}{8}$ " I.D. $1\frac{1}{8}$ " O.D. For $\frac{3}{4}$ " Hole
8	37K103890	Grommet $\frac{3}{4}$ " I.D. $1\frac{3}{8}$ " O.D. For $1-1/16$ " Hole
10	37K81057	Grommet $\frac{1}{2}$ " I.D. $1\frac{1}{2}$ " O.D. For $\frac{3}{4}$ " Hole
25	37K109120	Grommet $\frac{3}{8}$ " I.D. $\frac{1}{2}$ " O.D. For $\frac{5}{8}$ " Hole
25	37K109099	Grommet $\frac{3}{8}$ " I.D. $\frac{1}{2}$ " O.D. For $\frac{5}{8}$ " Hole
50	37K16754	Grommet $\frac{1}{4}$ " I.D. $\frac{1}{2}$ " O.D. For $\frac{1}{2}$ " Hole
50	37K106352	Grommet $\frac{3}{8}$ " I.D. $\frac{3}{8}$ " O.D. For $\frac{3}{8}$ " Hole
50	37K107234	Grommet $\frac{3}{8}$ " I.D. $\frac{5}{8}$ " O.D. For $\frac{1}{2}$ " Hole
25	37K18023	Grommet $\frac{3}{8}$ " I.D. $\frac{1}{2}$ " O.D. For $\frac{1}{2}$ " Hole
10	37K806001	Grommet $\frac{3}{8}$ " I.D. $1\frac{1}{4}$ " O.D. For 1 " Hole
25	37K83159	Grommet $\frac{3}{8}$ " I.D. $\frac{3}{8}$ " O.D. For $\frac{3}{8}$ " Hole

PDK-116 INSULATED COUPLING LOOP ASSEMBLIES, are used in most "Motrac"- "Motran" and solid state base stations as well as in tube type "A" and "K" transmitters. A coupling loop insulator assembly kit is available in maintaining the above mentioned equipment. Kit contains 20 pieces.

PDK-1116 CLIP-ON FUSE KIT.

DON'T REWIRE . . . just because part of the in-line fuse has deteriorated, and you haven't enough slack. The PDK-1116 provides you with a quick, easy method of replacing in-line fuse holders. The fuse bodies and caps have 9" leads with crimp splices on the leads. Straps are included for tying back hanging slack. Just remove the faulty part, strip off $\frac{1}{4}$ " of insulation, and crimp on the new assembly. Each PDK1116 Clip-On Fuse Kit consists of:

Quantity	Description	Part Number
5	Heavy Fuse Body and Lead	1P84066A68
5	Heavy Fuse Cap and Lead	1P84066A69
5	Light Fuse Body and Lead	1P84066A70
5	Light Fuse Cap and Lead	1P84066A71
6	Panduit Straps	42P84066A60

PDK-425 INSULATED CLAMP KIT, includes rubber dipped metal clamps, chassis feed-thru cable clamps, plastic clamps and insulated feed-thru bushings ideal for fire wall applications. A time and money saver for those new installations. Kit contains 235 pieces.

PDK-427 MIKE AND CONTROL CABLE CLAMP, contains most clamps required to secure mike and control cables to handsets and control heads. This is an ideal kit for re-installation and mike repair. Kit contains 210 pieces.

PDK-7511 RUBBER BUMPER AND FOOT KIT, contains most protective items required to replace worn out bumpers and feet on desk type equipment. One refinishing job on a damaged desk will cost more than the price of the kit. Kit contains 294 pieces.

Sleeving and Wire Kits

SLEEVING KITS AND "HANDIE-TALKIE" RADIO WIRE KIT

CLEAR TUBING—25-FT. SPOOLS

- 11M410141 #16
- 11M400414 #22

PDK1111 Yellow Varnished Sleeving Kit
Kit consists of 120 ft. of sleeving—9' of #7, 30' of #10, 30' of #18 & 51' of #20
Supplied in 3 ft. lengths

PDK1112 Black Vinyl Sleeving Kit
Kit consists of 141 ft. of sleeving—30' of #3, 51' of #8, 30' of 3/8" I.D., & 30' of 3/4" I.D.
Supplied in 3 ft. lengths

PDK1113 Black Vinyl Sleeving Kit
Kit consists of 75' of sleeving—25' of 1/2" I.D., 25' of 5/8" I.D., & 25' of 3/4" I.D.



PDK1114 Clear Vinyl Sleeving Kit
Kit consists of 75 ft. of sleeving—25' of #3, 25' of #8 & 25' of 3/8" I.D.
Supplied in one-piece, running lengths

PDK102 TEFLON WIRE KIT

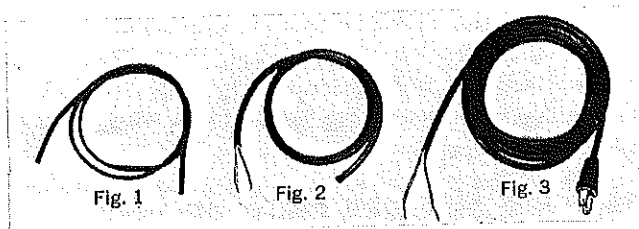
Contains an assortment of the most often used miniature wires found in pocket receivers, transmitters, etc. Wire supplied is special #26 gauge

COAXIAL CABLE CROSS REFERENCE CHART

RG-/U	Motorola Part No.	Cent. Cond.	Dielectric	Shield Qty.	Jacket	Overall Diam.	Zo	1 MHz	Attenuation—dB per 100 ft.			
									10 MHz	100 MHz	400 MHz	1 GHz
174	PK-369 (Replaces 30-840807)	Str.	P.E.	1	PVC	.100	50	—	—	—	19.0	—
188	PK-370 (Replaces 30-868714)	Str.	Tef.	1	Teflon	.102	50	—	—	—	—	—
188	PK-370 (Replaces 30-859004)	Str.	Tef.	1	Teflon Tape	.110	50	—	—	—	—	—
—	30-83794C01	Str.	Tef.	2	Glass Braid	.120	50	—	—	—	—	—
303	30B83182A01	Sol.	Tef.	1	Teflon	.170	50	—	—	—	—	—
—	30-83062H01	Sol.	Tef.	1	Glass Braid	.187	50	—	—	—	—	—
58A	30K475378*	Str.	P.E.	1	PVC	.195	50	.42	1.6	6.2	14.0	24.0
—	30C82921H01	Sol.	Tef.	1	Teflon	.200	50	—	—	—	—	—
142B	PK-610 (Replaces 30-83278B01)	Sol.	Tef.	2	Teflon	.200	50	.35	1.12	3.8	8.0	13.8
—	30B852190	Str.	Tef.	2	Teflon	.385	50	—	—	—	—	—
8	30C82345*	Str.	P.E.	1	PVC	.405	52	.16	.55	2.0	4.5	8.5
9	PK-609 (Replaces 30-84604A01)	Str.	P.E.	2	PVC	.420	50	.12	.47	1.9	4.4	8.5
59	PK-403 (Replaces 30-471240)	Sol.	P.E.	1	PVC	.237	73	.30	1.1	3.8	8.5	14.0
11	PK-367 (Replaces 30-50741)	Str.	P.E.	1	PVC	.405	75	.18	.62	2.2	4.7	8.2

*See standard length chart in this section.

LINE CORD



PART NO. †	FIG.	DESCRIPTION
PK 401	1	Stranded Line Cord 2 Cond. 18 Ga. with Polyvinyl Chloride Insulation. (Consists of 100 ft. of 30-83155H01)

Speaker cable

PART NO.	FIG.	DESCRIPTION
PK 402	1	Same as above except has heavier insulation. (Consists of 100 ft. of 30-825430)
PK 389	2	Round type A.C. Line Cord, 2 cond. 18 ga. (Consists of 100 ft. of 30-892533)
30B 892534	3	A.C. Line Cord, 10 ft., 2 conductor with 2 prong plug.
30B 865903	3	A.C. Line Cord, 8 ft., 3 conductor with 3 prong plug.
30B 824772	3	Standard cord w/plug 9 ft.

†Order all cable under PK number where shown. Available only in standard length indicated.

COAXIAL CABLE

Meets rigid specifications. Low loss polyethylene dielectric. Copper shielded and vinyl outer jacket.

STANDARD LENGTHS OF RG8/U AND RG58A/U

STD. LENGTH	FOR RG8/U (30-82345) ORDER	FOR RG58A/U (30-475378) ORDER
100 ft/bx	PK 358	PK 362
250 ft/rl	PK 359	PK 363
500 ft/rl	PK 360	PK 364
1000 ft/rl	PK 361	PK 365

OTHER CABLE

ORDER NO. †	RG NO.	DESCRIPTION	IMP	LENGTH
PK-609	RG9/U	(30-84604A01)	50	50 ft.
PK 367	11/U	(30K 50741)	75	100 ft.
PK 403	59/U	(30B 471240)	73	100 ft.
PK-610	RG142B/U	(30-83278B01)	50	50 ft.
PK 369	174/U	(30B 840807)	50	100 ft.
PK 370	188/U	(30B 859004)	50	50 ft.

BATTERY CABLE

High quality power cable for replacement of damaged battery-to-fuse block jumpers or relay-to-mobile power cables.

ORDER NO. †	COND. SIZE	COLOR	DESCRIPTION	LENGTH
PK 378	2	Red	(30K 830315)	100 ft.
PK 379	4	Red	(30B 81067)	100 ft.
PK 380	4	Brown	(30K 81068*)	100 ft.
PK 381	6	Red	(30K 812504)	100 ft.
PK 382	6	Black	(30K 825602)	100 ft.
PK 383	8	Red	(30K 812505)	100 ft.
PK 384	10	Red	(30K 813233)	100 ft.
PK 385	10	Black	(30K 831572)	100 ft.
PK 386	12	Black	(30B 858552)	100 ft.
PK 387	12	Red	(30K 858553)	100 ft.
PK 388	14	Red	(30B 82724C01)	100 ft.

* Has black and red tracers.

SHIELDED AUDIO CABLE

#24 stranded inner conductor, vinyl outer jacket. Used in audio circuits of mobile and base station transmitters.

ORDER NO. †	JACKET COVER	DESCRIPTION	LENGTH
PK 371	Blue	(30B 824273)	100 ft.
PK 372	Green	(30K 824274)	
PK 373	Black	(30K 824275)	
PK 374	Red	(30K 824277)	
PK 375	Orange	(30K 824278)	
PK 376	Yellow	(30K 824279)	
PK 377	White	(30K 824280)	

MULTI-CONDUCTOR CABLE

STANDARD CABLE—available from 2 to 8 conductors. Can be used for intercoms, remote desk set hook-ups, etc.

SPECIAL CABLE—12 to 17 conductor for mobile control cable use.

ORDER NO. †	NO. CONDUCT. AND GAUGE	DESCRIPTION	LENGTH
PK 390	4-18 GA.	(*30A 83743)	100 ft.
PK 391	4-20 GA.	(30A 800972)	100 ft.
PK 392	5-18 GA.	(*30A 483756)	100 ft.
PK 393	6-20 GA.	(30B 80203)	100 ft.
PK 394	6 { 4-22 GA. 2-18 GA.	(*30B 852364)	100 ft.
PK 395	7-20 GA.	(30B 892218)	100 ft.
PK 396	8-20 GA.	(30B 483718)	100 ft.
PK 398	12 { 10-24 GA. 2-18 GA.	(30C 830032)	50 ft.
PK 399	13 { 9-20 GA. 4-18 GA.	(30C 858513)	50 ft.
PK 400	17 { 13-20 GA. 4-18 GA.	(30C 864650)	50 ft.

* Non-shielded cable.

COPPER WIRE TABLE

AWG	Norm. Bare Diameter (Inches)	Nom. Circular Mills	Nom. Feet Per Lb. (Bare)	Nom. Ohms Per 1000 Ft. @20° C	Current Carrying Capacity @700 CM/Amp	Turns Per Linear Inch	
						Single Film Coated	Heavy Film Coated
8	.1285	16510	20.01	.6281	23.6	—	7.57
10	.1019	10380	31.82	.9988	14.8	—	9.50
12	.0808	6530	50.6	1.59	9.33	—	11.9
14	.0641	4110	80.4	2.52	5.87	15.2	14.8
16	.0508	2580	128	4.02	3.69	19.0	18.5
18	.0403	1620	203	6.39	2.31	23.9	23.1
20	.0320	1020	323	10.1	1.46	29.9	28.9
22	.0253	640	516	16.2	.914	37.5	36.1
24	.0201	404	818	25.7	.577	46.8	44.8
26	.0159	253	1310	41.0	.361	58.8	56.0
28	.0126	159	2080	65.3	.227	73.3	69.4
30	.0100	100	3300	104.0	.143	91.7	86.2
32	.0080	64.0	5160	162	.091	114	106

Note: This chart covers wire sizes (awg.) 8-32 even numbers only.

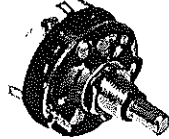
Switches

ROTARY SWITCHES

Single and multiple ganged switches specifically designed for communication equipment. All are non-shorting and mount in a 3/8 in. hole (except those indicated by * which mount in a 1/4 in. hole).



Type (A)
Miniature

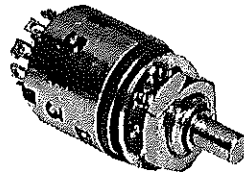


Type (B)
Standard

PART NUMBER	INDEXING	TYPE	POLES	POS. PER POLE	BASE DIA.	SHAFT LENGTH	DEPTH BEHIND PANEL	THREAD SIZE
40-82786H01	30°	B	1	2	1.28	.44	.66	3/8 x 32
40-82555D01	30°	B	1	4	1.31	.62	.66	3/8 x 32
40-82560H01	30°	B	1	5	1.31	.38	.78	3/8 x 32
40-82091F01	60°	B	1	6	1.25	.43	.75	3/8 x 32
40-83650E01	36°	A	1	4	1.01	.31	.56	3/8 x 32
40-84354B01	30°	A	1	6	1.00	1.13	.69	3/8 x 32
40-82843E01*	30°	A	2	2	1.01	.41	.62	1/4 x 32
40-82851H01	60°	B	2	2	1.30	.76	.75	3/8 x 32
40-82398C01	30°	A	2	3	1.00	.312	1.25	3/8 x 32
40-82772G01	60°	B	2	4	1.25	.32	1.49	3/8 x 32
40-82160H02	30°	A	2	6	1.00	.39	.75	3/8 x 32
40-82391D02	30°	B	2	6	1.25	.36	.78	3/8 x 32
40-83161E01	36°	A	2	6	1.00	.50	.63	3/8 x 32
40-83106B01	20°	B	2	18	2.31	.65	1.32	—
40-83158C01	15°	B	2	24	2.31	.49	1.32	—
40-82086F01	30°	A	3	3	1.00	.43	.89	3/8 x 32
40-82891E01*	30°	A	3	4	1.01	.41	.62	1/4 x 32
40-82341G02	30°	B	4	2	1.44	.90	1.44	3/8 x 32
40-82843E01	30°	A	4	2	1.01	.41	.62	3/8 x 32

SUB MINIATURE ROTARY SWITCHES

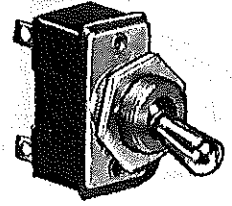
The ideal choice for compact assemblies. All units below have .5 in. diameter bodies and are less than .8 in. deep behind panel. The mtg. bushing is 1/4-28. Switches are designed for low current applications.



POLES	POS.	PART NUMBER
2	2	40-5376B01 (Replaces 40-83471H01)
2	3	40-83471H04
2	4	40-84214H03
2	5	40-84214H02

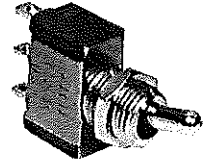
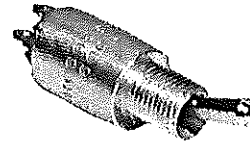
TOGGLE SWITCHES

General purpose AC-DC type switches. Bakelite case. Solder lug terminals (except heavy duty) which has screw terminals. 15/32" diameter threaded stem. U.L. approved.



PART NUMBER	CIRCUIT & DESCRIPTION	CURRENT @ 250V	THREAD SIZE
40-482097	SPST	3A	—
40-844445	SPST Momentary	3A	1/2 x 32
40-858304	SPST	10A	1/2 x 32
40-80246	SPDT	1A	1/2 x 32
40-855322	SPDT Momentary	1A	—
40-859505	SPDT	3A	—
40-82478G01	SPDT (Center off) Momentary	3A	1/2 x 32
40-84308A71	SPDT	10A	—
40-811752	DPST	3A	—
40-811760	DPST Momentary	3A	—
40-811748	DPST Heavy Duty	20A	—
40-80246	DPDT	3A	1/2 x 32
40-861983	DPDT Weatherproof	3A	—
40-82877D01	DPDT Momentary	3A	1/2 x 32
40-82878D01	DPDT 3 Position (Center off)	10A	—
40-800452	DPDT Momentary	10A	1/2 x 32
40-82590E01	3PDT 3 Position (Center off)	10A	1/2 x 32
40-83570C01	3PDT	10A	1/2 x 32

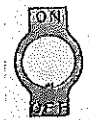
MINIATURE TOGGLE



PART NUMBER	CIRCUIT	RESISTIVE LOAD CURRENT/VOLTAGE	MTG. BUSHING	BODY
PK-733 (Replaces 40-82090H01)	SPDT	5A/28VDC /120VAC	1/4-40	.343 dia. x .672 d
40-82089H01	DPDT	5A/28VDC /120VAC	1/4-40	.468 dia. x .672 d
40-83933D01	DPDT 3 pos.		1/2-32	.546 l x .546 w x .706 d
40-82085J01	SPDT	.5A/20VAC /DC	1/4-40	.50 l x .27 w x .52 d

SWITCH PLATES, TOGGLE TYPE

PART NO.	DESCRIPTION
13K 80910	On-Off Vertical reading



SEAL NUT ASSEMBLY

Prevents dust or other foreign matter from entering switch mechanism. Will fit over bat handle type switches.

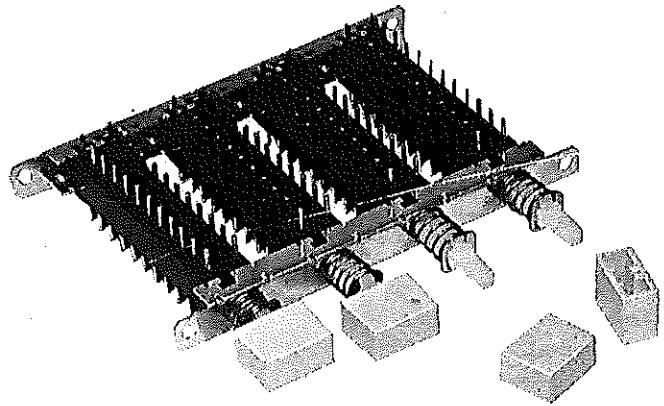
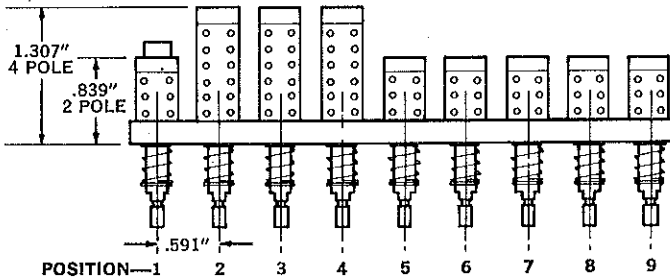


- 2A 474371 Seal Nut
- *2S 82262B01 Seal Nut
- *Covers bat handle

MINIATURE PUSHBUTTON SWITCHES

These miniature pushbutton switches feature fully enclosed contact assemblies to protect against intermittents. Their small size make them ideal for mounting directly on printed circuit boards.

BUTTONS for use on switches 38-84321C01 (Pearl)
38-84321C02 (Orange)



MOTOROLA PART NO.	POSITIONS & FUNCTION								
	1	2	3	4	5	6	7	8	9
40D84324C01	2 POLE P-P*	—	—	—	—	—	—	—	—
40D84324C02	2 POLE M	—	—	—	—	—	—	—	—
40D84324C10	4 POLE P-P	—	—	—	—	—	—	—	—
40D84324C03	2 POLE INTER.	2 POLE INTER.	—	—	—	—	—	—	—
40D84324C04	2 POLE M	2 POLE P-P	2 POLE P-P	—	—	—	—	—	—
40D84324C05	2 POLE P-P	2 POLE P-P	2 POLE P-P	2 POLE P-P	—	—	—	—	—
40D84324C09	2 POLE INTER.	2 POLE INTER.	2 POLE INTER.	2 POLE INTER.	—	—	—	—	—
40D84324C08	4 POLE INTER.	—	4 POLE INTER.	—	4 POLE INTER.	—	—	—	—
40D84324C06	2 POLE INTER.	2 POLE INTER.	2 POLE INTER.	2 POLE INTER.	2 POLE INTER.	—	—	—	—
40D84324C11	2 POLE INTER.	2 POLE INTER.	2 POLE INTER.	2 POLE INTER.	2 POLE INTER.	2 POLE INTER.	—	—	—
40D84324C07	2 POLE INTER.	2 POLE INTER.	2 POLE INTER.	2 POLE INTER.	2 POLE INTER.	2 POLE INTER.	2 POLE INTER.	2 POLE INTER.	2 POLE INTER.

*"P-P" Indicates push-push switch

"M" Indicates momentary switch

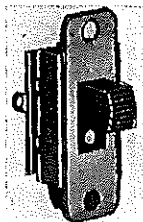
"INTER." Indicates interlocking switch with lock-out

*C01 Switch has lock-out cam

SLIDER SWITCHES

Cadmium plated housing with black phenolic button, solder to lug terminals.

PART NUMBER	CIRCUIT	RATING	SIZE
40-84622B03	SPDT	3A/125V	.530x.880x.590
40-83890A01	DPDT	3A/125V	.531x1.37x.687
40-84308A89	DPTT	3A/125V	.530x1.625x1.01



PUSH BUTTON SWITCHES

1 $\frac{5}{32}$ shank, solder lug terminals.

Red push button—1 $\frac{1}{16}$ long
by 2 $\frac{1}{32}$

*Black push button—1 $\frac{15}{16}$ long
by 2 $\frac{1}{32}$



PART NO.	ACTION	DESCRIPTION
40A 881084	SPST	(normally open)
*40A 839660	SPST	(normally closed)

ROCKER SWITCHES

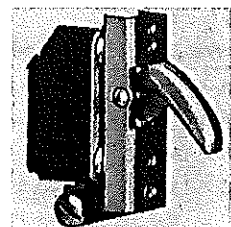
All units have .625 x 1.33 buttons. TLN series mounts in a .82 x 1.45 by means of a snap clip. All are rated at 15 amps at 125 VAC.



PART NUMBER	POLES	POS. 1	CENTER	POS. 3
TLN4385A	DPST	OFF	None	MOM. ON
TLN4383A	DPDT	ON	None	ON
TLN4384A	DPDT	ON	OFF	ON
TLN4386A	3PST	ON	None	OFF

DOOR SWITCHES

Black bakelite cadmium plated frame with screw type terminals. Spring loaded, normally open.

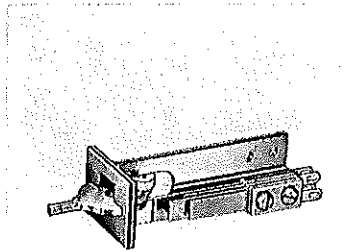
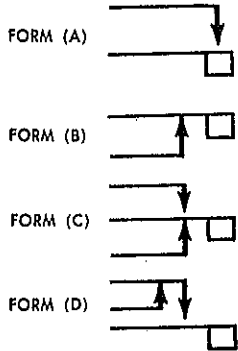


PART NO.	ACTION	RATING	SIZE
40A 80237	SPST	6 amp 125V	1-13/32 x 5/8

Switches

LEVER SWITCHES

SWITCH FORMS



PART NO.	CONTACT ASSEM.		TYPICAL APPLICATION
	POS 1	POS. 2	
40K 855061	2 "A" (NL)	—	TK444
40K 855062	1 "C" (L)	2 "B" (L)	TK557 Supervisory Switch
40K 855063	2 "C" (L)	—	TK444 2 Freq. Switch
40K 855064	3 "B", 1 "A" (NL)	—	TK560 Intercom Switch
40K 855793	1 "A", 1 "C" (L)	—	TK561 Speaker Mute Switch
40K 857647	2 "B", 1 "A", 1 "C" (NL)	—	TK560 Intercom Switch
40K 824213*	2 "A" (NL)	2 "A" (NL)	P9373
40K 824214*	2 "A" (L)	2 "A" (NL)	P9372

"L" Locking Type. "NL" Non-Locking Type. *With Black Plastic Knob. All Others Less Knob.

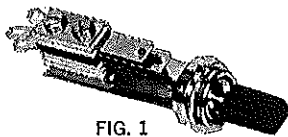


FIG. 1



FIG. 2

Open Leaf Lever actuated single hole mount switch used in fixed station equipment. A 15/32" mounting hole required. (Fig. 1)

PART NO.	POSITION	CONTACTS
40D83303G01	Two Position Locking	1A
40D83303G02	Two Position Locking	1B
40D83303G03	Two Position Non-Locking	2A
40D83303G04	Two Position Non-Locking	2C
40D83303G05	Two Position Locking	2C
40D83303G06	Three Position 1 Locking 2 Non-Locking	2A 2B

KNOBS



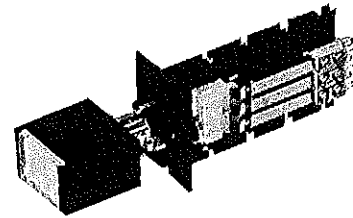
Fig. A



Fig. B

PART NO.	DESCRIPTION
36A 82783C01	Knob (A)
36B 850902	Knob (B)

PUSH BUTTON SWITCHES



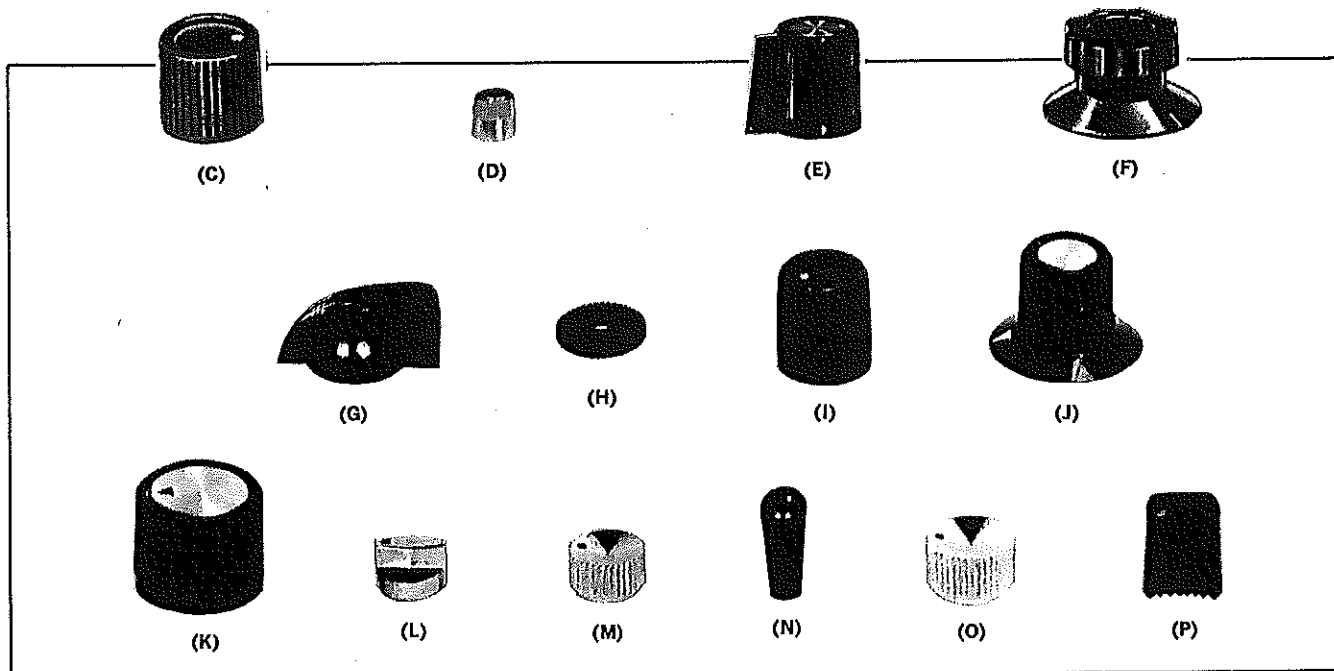
Open Leaf, Illuminated Push Button Switches for Use in Fixed Station and Mobile Equipment.

PART NO.	LOCKING	CONTACTS	NO. LAMP SOCKETS
40D83271G01	No	3-A's	Single
40D83271G02	No	2-A's 1-C	Single
40D83271G03	No	2-A's	Single
40D83271G04	No	2-A's 2-B's	Single
40D83271G05	Yes	1-A 2-C's	Single
40D83271G06	Yes	2-A's 1-C	Single
40D83271G07	Yes	2-C	Twin
40D83271G08	Yes	1-A 1-C	Single
40D83271G09	Yes	1-A 3-B's	Single

NOTE: Bulbs not supplied with above. For 6 Volts use 65K861827 or 65-83358H06 for 28 Volts.
38P83043H86 Push Button Assembly For Above Series Switches

Open Leaf Lever actuated switch used in Base Station and T1370A Series Remote Equipment. A 3/8" hole and Two mounting holes are required for mounting. (Fig. 2)

PART NO.	POSITION	CONTACTS
40D83334G01	2 Position Locking	1C
40D83334G02	2 Position Non-Locking	1A 2C
40D83334G03	2 Position Non-Locking	1A 1B 1C
40D83334G04	2 Position Non-Locking	1A 1C
36P83043H84	Knob for Above Series Switches	



PART NO.	FIG.	SIZE	DIA. SHAFT	COLOR
36-858652 (Replaces 36-855027)	C	.750"	.250"	Dark Gray
36-844653	C	1.000"	.250"	Black
*36-83573H01	D	.360"	.125"	Aluminum w/dot
*36-83573H03	D	.360"	.125"	Aluminum w/line
*36-83573H05	D	.360"	.125"	Aluminum plain
36-82630H01	E	.750"	.250"	Black
36-832199	F	1.500"	.250"	Black
36-80556	G	.50" x 1.25"	.250"	Black
36-82942C01	H	.750"	.076"	Black
36-82629H04	I	.750"	.250"	Black
36-82869D02	I	.750"	.250"	Metallic Blue
36-82631H03	J	1.250"	.250"	Black
36-82766H04	K	.580"	.125"	Metallic Blue
36-82766H03	K	.580"	.125"	Metallic Blue w/pointer
(Replaces 36-82766H05)				
36-82628H08	K	.684"	.125"	Black

PART NO.	FIG.	SIZE	DIA. SHAFT	COLOR
36-82628H09	K	.684"	.125"	Black w/pointer
36-82628H03	K	.684"	.250"	Black
36-82629H01	K	.750"	.250"	Black
36-82629H02	K	.750"	.250"	Black w/pointer
36-82869D03	K	.750"	.250"	Metallic Blue
36-83085E01	K	1.000"	.250"	Black
36-82632H01	K	1.250"	.250"	Black
36-82632H02	K	1.250"	.250"	Black w/pointer
36-82633H02	K	1.500"	.250"	Black
36-83573H03	L	.500"	.125"	Chrome
(Replaces 36-82659D01)				
36-82681E01	M	.562"	.125"	Chrome w/dot
36-82681E03	M	.562"	.125"	Chrome less dot
36-82783C01	N	.375"	.156"	Black
36-82812E01	O	.687"	.125"	Chrome w/dot
36-82812E03	O	.687"	.125"	Chrome less dot
36-850902	P	.375" x .625"	.187"	Black

*Order set screws separately, Part No. 3-83174C02

WASHERS, STANDARD

Part No.	Screw Size	Lock
4S7670	1/4	Int. Star
4S7691	3/8	Int. Star
4S7698	3/8	Int. Star
4S8424	1/2	Int. Star
4S8210	3/8	Flat

WASHERS, SPECIAL

4A82453E01	1/4 Diam.	Teflon
4A82634E03	1/4 Diam.	Stainless Steel

Right Angle Allen Wrenches

SCREW SIZE	HEX SIZE	PART NO.
#4	.050	66K106525
#6	1/16	66A106513
#8	3/32	66K21442
#10	1/8	66K106515
#1/4	1/4	66K108154
#3/8	3/8	66K85988

Allen Wrench Sets

Right Angle Hex Spline Kit	ST260
Screw Driver Type	ST613

NUTS, STANDARD

Part No.	Thread	Thick-ness	Width	Finish
2-115190	1/32-32	3/32	1/16 Hex	Nickel
2-120908	1/32-32	3/32	1/16 Hex	Cad
2S8364	3/8-32	3/8	1/2 Hex	Nickel
2S8365	1/4-32	3/8	3/8 Hex	Nickel
2-8382	1/32-32	3/32	1/16 Hex	Cad
2-120908	1/32-32	3/4	1/16 Hex	Stainless Steel

NUTS, SPECIAL

2S847628	1/4-32 Sealnut
2-82653D03	1/4-32 Spanner Nut
2-19441	1/32-32 Knurled

SET SCREWS

SIZE & TPI	LENGTH	HEX SIZE	PART NO.
6-32	1/8	1/16	3S7115
6-32	1/4	1/16	3S9724
8-32	1/8	slotted	3S7108
8-32	1/4	3/4	3S9705
8-32	3/4	3/4	3S9717
10-32	3/8	3/8	3S7129
1/4-20	3/8	1/8	3S129870

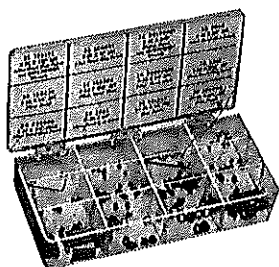
Knobs and Potentiometers Hardware

PDK-312 Set Screw Assortment Kit

Why spend valuable service time in fishing through a jumble of spare parts?

Have this convenient kit at your fingers reach when a requirement for a lost or damaged set screw arises.

Here's an assortment of 150 Allen-Head set screws for a variety of applications in the electronic field. This kit provides sizes of 2-56, 4-40, 6-32, 8-32, 10-32 and 1/4" in commonly used lengths. Packaged in a sturdy constructed 12-compartment plastic box with an identification card affixed to the inside cover. Card provides the set screw sizes and Motorola part numbers for easy reordering.



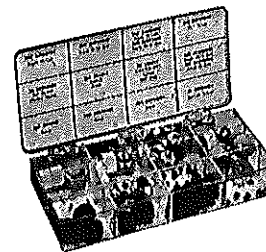
ST-260 Hex and Spline Key Wrench Kit

A complete wrench kit for both hex and spline type screws, used in the electronic field. Twelve wrenches enclosed in an attractive leatherette case. Will fit #2 to 3/8" screws.



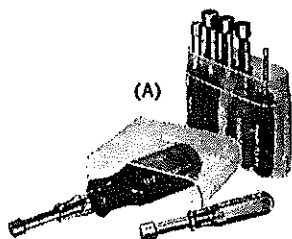
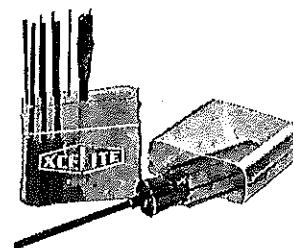
PDK-361 Portable Radio Knob Kit

Nearly 100 knobs, set screws, etc. for all current Motorola portable products in a convenient, 12-section, "see-thru" plastic box. Invaluable when servicing HT, PT, "Dispatcher" and Pocket Receiver radios.



ST-613 Allen Wrench Drive Set

This new set of interchangeable Allen blades is conveniently packaged in a handy plastic storage case and includes 9 different blades, a 4" extension and a plastic driver handle. Sizes included range from a tiny .050" to 3/16".



ST-454 Nut Driver Set (A)

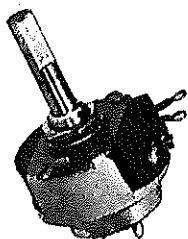
Graded in steps of 32nds of an inch, these drivers speed servicing of miniature equipment. The ten nut drivers are color coded and packed in a plastic case. Extra "slipover" handle provides more grip, reach and turning power.

ST-150 Nut Drive Sets (B)

7 Hex sizes 3/16" to 1/2" with hollow color coded shafts for quick identification.

WIRE WOUND POTENTIOMETERS, WITH SWITCH

(Bushing Size 3/8-32)



POWER RATINGS

All rated 2 watts except 18C 82347G01 (1 watt)

RESIS.	TAPER	LENGTH	SHAFT DIA.	TYPE	THREAD LENGTH	DIA. BODY	PART NUMBER
15*	CTS "C"	1/2	1/4	flatted	3/8	1 1/8"	18D 82034E01
20	10% CW	1/2	1/4	flatted	3/8	1 1/4"	18K 861676
20	10% CW	1/2	1/4	flatted	1/4	1 1/4"	18K 838283
20	CTS "C"	1/2	1/4	flatted	1/4	1 1/4"	18C 82528D01
20	CTS "C"	1/2	1/4	flatted	3/8	1 1/4"	18C 82528D02
20	CTS "C"	1	1/4	flatted	3/8	1 1/4"	18C 82528D03
20	CTS "C"	1	1/4	flatted	3/16	1 1/4"	18-82528D04 (DPST)
20	linear	3/8	1/4	flatted	1/4	1 1/4"	18K 824982
30	linear	1/2	1/4	flatted	1/4	1 1/4"	18A 482331
100	linear	1/2	1/4	flatted	1/4	1 5/8"	18C 82788E01
350*	5% CW	1	1/4	flatted	1/4	1 1/4"	18C 82347G01
1K	linear	1/2	1/4	flatted	1/4	1 3/8"	18D 82810C06
25K	10% CW	1/2	1/4	flatted	3/8	1 1/8"	18D 82810C04
25K	10% CW	1	1/4	flatted	3/8	1 1/8"	18D 82810C07
25K*	10% CW	1/2	1/4	flatted	1/4	1 3/8"	18K 868896
50K*	linear	1/2	1/4	flatted	3/8	1 3/8"	18D 82810C03
500K*	"S"	1/2	1/4	flatted	3/8	1 3/8"	18D 82810C02
500K	linear	1/2	1/4	flatted	1/4	1 3/8"	18A 822301

Potentiometers listed in this section have one switch. Those indicated by an asterisk (*) have 2 switches.

LINEAR TAPER indicates even re-istance at 50% of rotation.
istance with rotation of shaft. (Recommended for audio use.)
"% TAPER is percent of total

"CCW" indicates counter clockwise rotation

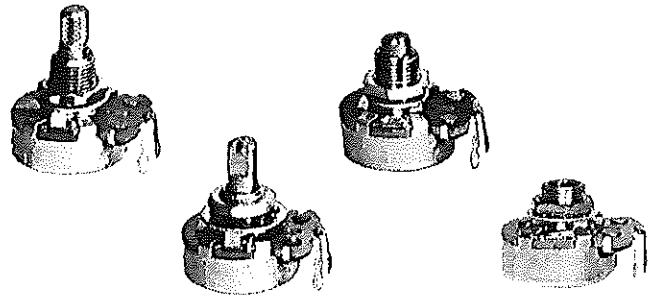
"CW" indicates clockwise rotation

STANDARD CARBON POTENTIOMETERS

(Bushing Size $\frac{3}{8}$ -32, Body Dia. 1")

POWER RATINGS

up to 10K ohms 10K to 100K ohms over 100K ohms
Linear type=0.50 watt Linear type=0.33 watt Linear type=0.25 watt
Taper type=0.25 watt Taper type=0.16 watt Taper type=0.12 watt



RESIS.	TAPER	LENGTH	SHAFT DIA.	TYPE	FIG.	THR. LGTH.	PART NO.
100Ω	linear	$\frac{1}{16}$	$\frac{1}{4}$	flatted	B	$\frac{1}{4}$	18-82700D08
500	linear	$\frac{3}{16}$	$\frac{1}{4}$	flatted & slotted	B	$\frac{1}{4}$	18-801878
750	linear	$\frac{3}{16}$	$\frac{1}{4}$	flatted	B	$\frac{1}{4}$	18-82515B40
1K	linear	$\frac{7}{16}$	$\frac{1}{4}$	round	B	$\frac{1}{4}$	18-82515B01
1K	linear	$\frac{1}{8}$	$\frac{1}{4}$	slotted	C	$\frac{3}{8}$	18-82515B42
1.5K	linear	$\frac{3}{8}$	$\frac{1}{4}$	slotted	C	$\frac{3}{8}$	18-82515B10
2K	linear	$\frac{1}{2}$	$\frac{1}{4}$	flatted	B	$\frac{7}{16}$	18-82515B04
2K	linear	$\frac{1}{4}$	$\frac{1}{4}$	slotted	C	$\frac{1}{4}$	18-82515B32
2K	10% CCW	$\frac{1}{2}$	$\frac{1}{4}$	flatted	B	$\frac{3}{8}$	18-859321
2K	5% CW	$\frac{1}{8}$	$\frac{1}{4}$	slotted	C	$\frac{1}{4}$	18-82515B45
(Replaces 18-800630 and 18-876358)							
2.5K	linear	$\frac{3}{8}$	$\frac{1}{4}$	round	B	$\frac{1}{4}$	18-858468
5K	linear	$\frac{3}{8}$	$\frac{1}{4}$	round	C	$\frac{1}{4}$	18-82700D01
5K	linear	$\frac{3}{16}$	$\frac{1}{4}$	slotted	B	$\frac{1}{4}$	18-82700D03
5K	5% CW	$\frac{3}{8}$	$\frac{1}{4}$	flatted	B	$\frac{1}{4}$	18-82515B24
5K	linear	$\frac{1}{4}$	$\frac{1}{4}$	slotted	C	$\frac{3}{8}$	18-82515B26
(Replaces 18-82515B25)							
5K	10% CW	$1\frac{1}{16}$	$\frac{1}{4}$	flatted & slotted	B	$\frac{1}{4}$	18-851933
5K	linear	$\frac{1}{8}$	$\frac{1}{4}$	slotted	C	$\frac{1}{4}$	18-82515B35
5K	linear	$\frac{3}{8}$	$\frac{1}{4}$	flatted	B	$\frac{1}{4}$	18-82515B37
5K	linear	$\frac{15}{32}$	$\frac{1}{4}$	flatted	B	$\frac{3}{8}$	18-82515B43
5K	linear	Re-cessed	—	slotted	D	$\frac{1}{4}$	18-82700D10
10K	linear	$\frac{3}{8}$	$\frac{1}{4}$	flatted	B	$\frac{1}{4}$	18-82515B02
10K	linear	$\frac{3}{8}$	$\frac{1}{4}$	flatted 30°	B	$\frac{1}{4}$	18-82515B03
10K	10% CW	$\frac{3}{8}$	$\frac{1}{4}$	flatted & slotted 130°	B	$\frac{1}{4}$	18-805241
10K	10% CW	$\frac{3}{16}$	$\frac{1}{4}$	slotted	C	$\frac{1}{4}$	18-876356
10K	linear	$\frac{3}{16}$	$\frac{1}{4}$	slotted	C	$\frac{1}{4}$	18-876357
10K	linear	$\frac{1}{8}$	$\frac{1}{4}$	slotted	C	$\frac{3}{8}$	18-82515B41
10K	5% CW	$\frac{3}{8}$	$\frac{1}{4}$	flatted	B	$\frac{1}{4}$	18-82700D06
(Replaces 18-82515B33)							
25K	10% CW	$\frac{1}{2}$	$\frac{1}{4}$	flatted	B	$\frac{1}{4}$	18-82515B27
25K	linear	$\frac{1}{8}$	$\frac{1}{4}$	slotted	C	$\frac{3}{8}$	18-82515B28

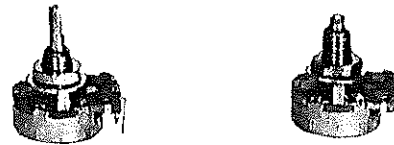
RESIS.	TAPER	LENGTH	SHAFT DIA.	TYPE	FIG.	THR. LGTH.	PART NO.
25K	10% CW	$\frac{1}{2}$	$\frac{1}{4}$	flatted	B	$\frac{1}{4}$	18-857698
25K	10% CW	$\frac{1}{2}$	$\frac{1}{4}$	flatted	B	$\frac{1}{4}$	18-857840
25K	linear	$\frac{1}{16}$	$\frac{1}{4}$	flatted	B	$\frac{3}{8}$	18-82515B44
25K	10% CW	$\frac{1}{2}$	$\frac{1}{4}$	flatted	B	$\frac{7}{16}$	18-82700D04
25K	10% CW	1.00	$\frac{1}{4}$	flatted	B	$\frac{7}{16}$	18-82700D07
30K	10% CCW	$\frac{3}{16}$	$\frac{1}{4}$	flatted	B	$\frac{1}{4}$	18-82515B14
50K	linear	$\frac{3}{8}$	$\frac{1}{4}$	knurled	A	$\frac{3}{8}$	18-82515B09
50K	linear	$\frac{3}{8}$	$\frac{1}{4}$	flatted	B	$\frac{1}{4}$	18-82515B21
(Replaces 18-82515B07)							
50K	10% CW	$\frac{3}{8}$	$\frac{1}{4}$	flatted & slotted	B	$\frac{1}{4}$	18-803437
50K	10% CCW	$\frac{3}{8}$	$\frac{1}{4}$	round	B	$\frac{1}{4}$	18-858469
100K	10% CW	$\frac{1}{2}$	$\frac{1}{4}$	slotted	B	$\frac{1}{4}$	18-840726
100K	2% CW	$\frac{1}{2}$	$\frac{1}{4}$	flatted & slotted	B	$\frac{1}{4}$	18-857095
100K	linear	$\frac{3}{8}$	$\frac{1}{4}$	flatted	B	$\frac{1}{4}$	18-82515B39
200K	linear	$\frac{3}{8}$	$\frac{1}{4}$	flatted 120°	B	$\frac{1}{4}$	18-82515B05
200K	10% CW	$\frac{1}{2}$	$\frac{1}{4}$	slotted	C	$\frac{1}{4}$	18-845110
250K	linear	$\frac{3}{16}$	$\frac{1}{4}$	flatted	B	$\frac{1}{4}$	18-82515B12
300K	2% CW	$\frac{3}{16}$	$\frac{1}{4}$	slotted	C	$\frac{1}{4}$	18-812998
300K	linear	$\frac{3}{16}$	$\frac{1}{4}$	slotted	C	$\frac{3}{8}$	18-892291
500K	10% CW	$\frac{1}{2}$	$\frac{1}{4}$	flatted & slotted	B	$\frac{1}{4}$	18-86865
500K	linear	$\frac{1}{2}$	$\frac{1}{4}$	flatted	B	$\frac{1}{4}$	18-822378
500K	10% CW	$\frac{1}{2}$	$\frac{1}{4}$	flatted	B	$\frac{3}{8}$	18-859320
500K	2% CW	$\frac{3}{16}$	$\frac{1}{4}$	slotted	C	$\frac{3}{8}$	18-893205
1 MEG	linear	$\frac{3}{8}$	$\frac{1}{4}$	flatted 120°	B	$\frac{1}{4}$	18-82515B06
(Replaces 18-82515B20)							
1 MEG w/switch	2% CW	$\frac{3}{16}$	$\frac{1}{4}$	slotted	B	$\frac{1}{4}$	18-483727
1 MEG	linear	$\frac{3}{16}$	$\frac{1}{4}$	slotted	C	$\frac{3}{8}$	18-800631
1 MEG	2% CW	$\frac{1}{2}$	$\frac{1}{4}$	flatted & slotted	B	$\frac{1}{4}$	18-891109
1 MEG	linear	Re-cessed	—	slotted	D	$\frac{1}{4}$	18-82700D11
2 MEG	linear	Re-cessed	—	slotted	D	$\frac{1}{4}$	18-82700D02
5 MEG	linear	$\frac{3}{8}$	$\frac{1}{4}$	knurled	A	$\frac{3}{8}$	18-82515B08
5 MEG	20% CW	$\frac{3}{16}$	$\frac{1}{4}$	flatted	B	$\frac{1}{4}$	18-82515B13

MINIATURE CARBON POTENTIOMETERS

(Bushing Size $\frac{1}{4}$ -32)

POWER RATINGS

up to 10K ohms over 10K ohms
Linear type=.15 watt Linear type=.2 watt
Taper type=.1 watt Taper type=.1 watt

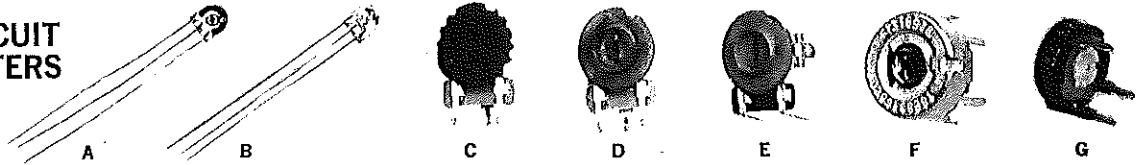


RESIS.	TAPER	LGTH.	DIA.	TYPE	FIG.	THR. LGTH.	DIA. BODY	PART NO.
200	linear	$\frac{1}{8}$	$\frac{1}{8}$	slotted	F	$\frac{1}{4}$	$\frac{3}{4}$	18-865774
500	linear	$\frac{1}{8}$	$\frac{1}{8}$	slotted	F	$\frac{1}{4}$	$\frac{3}{4}$	18-82072C08
1K	linear	$\frac{1}{8}$	$\frac{1}{8}$	slotted	F	$\frac{1}{4}$	$\frac{3}{4}$	18-82072C07
1K±30%	linear	$\frac{3}{4}$	$\frac{1}{8}$	flatted	E	$\frac{1}{4}$	$\frac{5}{8}$	18-84631D02
2K	linear	$\frac{1}{8}$	$\frac{1}{8}$	slotted	F	$\frac{1}{4}$	$\frac{5}{8}$	18-82816E03
2K	10% CCW	$\frac{3}{8}$	$\frac{1}{8}$	flatted	E	$\frac{1}{4}$	$\frac{3}{4}$	18-847061
2K	2% CW	$\frac{3}{8}$	$\frac{1}{8}$	flatted	E	$\frac{1}{4}$	$\frac{3}{4}$	18-867227
5K	5% CCW	$\frac{3}{16}$	$\frac{1}{8}$	flatted	E	$\frac{1}{4}$	$\frac{5}{8}$	18-82816E01
5K	linear	$\frac{1}{4}$	$\frac{1}{8}$	flatted	E	$\frac{3}{16}$	$\frac{5}{8}$	18-82661D01
5K±30%	linear	$\frac{1}{32}$	$\frac{1}{8}$	flatted	E	$\frac{1}{4}$	$\frac{5}{8}$	18-84631D04
5K±10%	linear	$\frac{3}{4}$	$\frac{1}{8}$	flatted	E	$\frac{1}{4}$	$\frac{5}{8}$	18-84631D09
5K±10%	CCW	1.50	$\frac{1}{8}$	flatted	E	$\frac{1}{4}$	$\frac{5}{8}$	18-84631D06
5K±10%	linear	1.50	$\frac{1}{8}$	flatted	E	$\frac{1}{4}$	$\frac{5}{8}$	18-84631D07
5K±10%	linear	1.50	$\frac{1}{8}$	flatted	E	$\frac{1}{4}$	$\frac{5}{8}$	18-84631D05
10K	5% CCW	$\frac{3}{16}$	$\frac{1}{8}$	flatted	E	$\frac{3}{8}$	$\frac{5}{8}$	18-82316E02
10K w/switch	10% CW	$\frac{1}{4}$	$\frac{1}{8}$	flatted	E	$\frac{3}{16}$	$\frac{5}{8}$	18-80328A95
(Replaces 18-82662D01)								
25K±30%	CTS-A	$\frac{3}{4}$	$\frac{1}{8}$	flatted	E	$\frac{1}{4}$	$\frac{5}{8}$	18-84631D01
25K w/switch	CTS-A	$\frac{3}{4}$	$\frac{3}{32}$	flatted	E	$\frac{1}{4}$	$\frac{5}{8}$	18-84632D03
25K w/switch	CTS-A	$\frac{3}{4}$	$\frac{3}{32}$	flatted	E	$\frac{1}{4}$	$\frac{5}{8}$	18-84632D01
25K w/switch	CTS-A	1.50	$\frac{3}{32}$	flatted	E	$\frac{1}{4}$	$\frac{5}{8}$	18-84632D02

RESIS.	TAPER	LGTH.	DIA.	TYPE	FIG.	THR. LGTH.	DIA. BODY	PART NO.
25K w/switch	10% CW	$\frac{1}{16}$	$\frac{1}{8}$	flatted	E	$\frac{3}{32}$	$\frac{3}{16}$	18-5370E01
25K	10% CCW	$\frac{1}{8}$	$\frac{3}{8}$	slotted	F	$\frac{3}{8}$	$\frac{3}{4}$	18-82072C02
25K	10% CCW	$\frac{1}{8}$	$\frac{3}{8}$	slotted	F	$\frac{3}{8}$	$\frac{3}{4}$	18-82072C05
25K	linear	$\frac{1}{8}$	$\frac{3}{8}$	slotted	F	$\frac{1}{4}$	$\frac{3}{4}$	18-848202
25K w/switch	10% CW	$\frac{1}{4}$	$\frac{3}{8}$	flatted	E	$\frac{3}{16}$	$\frac{5}{8}$	18-80328A96
(Replaces 18-82662D02)								
25K	10% CW	$\frac{1}{8}$	$\frac{1}{8}$	slotted	F	$\frac{1}{4}$	$\frac{3}{4}$	18-867272
25K	linear	$\frac{1}{4}$	$\frac{1}{8}$	flatted	E	$\frac{1}{4}$	$\frac{5}{8}$	18-82816E04
50K	linear	$\frac{1}{8}$	$\frac{3}{8}$	slotted	F	$\frac{3}{16}$	$\frac{3}{4}$	18-844807
50K	linear	$\frac{1}{8}$	$\frac{3}{8}$	slotted	F	$\frac{3}{16}$	$\frac{3}{4}$	18-863300
50K	linear	$\frac{3}{8}$	$\frac{3}{8}$	round	F	$\frac{1}{4}$	$\frac{3}{4}$	18-867020
100K	10% CCW	$\frac{1}{8}$	$\frac{3}{8}$	slotted	F	$\frac{3}{8}$	$\frac{3}{4}$	18-82072C06
100K	linear	$\frac{1}{8}$	$\frac{3}{8}$	slotted	F	$\frac{3}{8}$	$\frac{3}{4}$	18-855906
200K	linear	$\frac{3}{8}$	$\frac{3}{8}$	round	E	$\frac{1}{4}$	$\frac{3}{4}$	18-867019
300K	linear	$\frac{1}{8}$	$\frac{3}{8}$	slotted	F	$\frac{3}{8}$	$\frac{3}{4}$	18-82702C03
300K	linear	$\frac{1}{8}$	$\frac{3}{8}$	slotted	F	$\frac{3}{8}$	$\frac{3}{4}$	18-858871
500K	10% CCW	$\frac{3}{8}$	$\frac{3}{8}$	flatted	E	$\frac{1}{4}$	$\frac{3}{4}$	18-847060
500K	linear	$\frac{1}{8}$	$\frac{3}{8}$	slotted	F	$\frac{1}{4}$	$\frac{3}{4}$	18-848957
1 MEG	linear	$\frac{1}{8}$	$\frac{3}{8}$	slotted	F	$\frac{1}{4}$	$\frac{3}{4}$	18-847062
1 MEG	linear	$\frac{1}{2}$	$\frac{3}{8}$	round	E	$\frac{3}{16}$	$\frac{5}{8}$	18-83083G12
(Replaces 18-82017F02)								

Potentiometers

PRINTED CIRCUIT POTENTIOMETERS



RESIS.	TAPER	WATTAGE	TYPE	PART NO.
20 ±20%	Linear	3W	F	18-83168C06
100 ±20%	Linear	3W	F	18-83168C02
100 ±20%	Linear	.25W	E	18-83083G27
100 ±30%	Linear	.25W	D	18-83083G15
500 ±10%	Linear	1.5W	F	18-83168C08
500 ±15%	Linear	.05W	B	18-82876B08
500 ±20%	Linear	2W	F	18-83168C01
500 ±30%	Linear	.25W	E	18-83083G21
1K ±20%	Linear	2W	F	18-83168C03
1K ±20%	Linear	.25W	C	18-83083G28
1K ±30%	CTS "A"	.25W	D	18-83083G04
1K ±30%	Linear	.25W	E	18-83083G14
2K ±15%	Linear	.05W	B	18-82876B04
2K ±20%	Linear	1.5W	F	18-83168C05
2.5K ±10%	Linear	.25W	C	18-83083G11
2.5K ±30%	Linear	.25W	E	18-83083G06
4K ±20%	Linear	.05W	A	18-82876B01
4K ±20%	Linear	.05W	B	18-82876B05
5K ±20%	Linear	.25W	E	18-83083G22
5K ±20%	Linear	.25W	C	18-83083G29
5K ±20%	Linear	1.5W	F	18-83168C07
5K ±30%	Linear	.25W	D	18-83083G07
10K ±20%	Linear	.05W	B	18-82876B06
10K ±20%	Linear	1.5W	F	18-83168C04

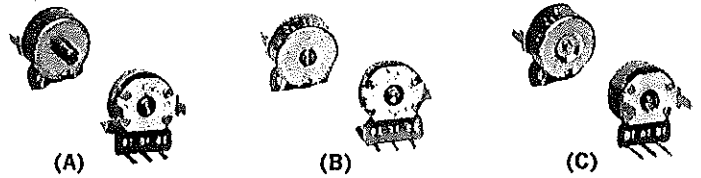
RESIS.	TAPER	WATTAGE	TYPE	PART NO.
10K ±20%	Linear	.25W	C	18-83083G30
10K ±30%	Linear	.25W	E	18-83083G13
10K ±30%	Linear	.05W	A	18-82876B03
10K ±30%	Linear	.25W	D	18-83083G10
70K ±20%	Linear	.125W	A	18-864068
20K ±20%	Linear	.125W	A	18-867137
25K ±30%	CTS "A"	.25W	D	18-83083G03
25K ±30%	Linear	.25W	E	18-83083G24
25K ±30%	Linear	.25W	C	18-83083G16
50K ±20%	Linear	.05W	B	18-82876B07
50K ±30%	Linear	.25W	E	18-83083G20
50K ±30%	Linear	.25W	C	18-83083G26
100K ±20%	Linear	.125W	A	18-861480
100K ±30%	Linear	.25W	C	18-83083G01
250K ±20%	Linear	.25W	E	18-83083G31
1M ±30%	Linear	.25W	E	18-83083G12
1M ±30%	Linear	.25W	D	18-83083G23
250K ±20%	Linear	.10W	G	18-84944C06
500K ±20%	Linear	.10W	G	18-84944C04
2K ±20%	Linear	.10W	G	18-84944C01
10K ±20%	Linear	.10W	G	18-84944C03
25K ±20%	Linear	.10W	G	18-84944C02
250K ±20%	Linear	.10W	G	18-84944C05

CARBON POTENTIOMETERS (Miniature Printed Circuit with 1/8" Slotted Shafts)

POWER RATINGS

up to 100K ohms
Linear type=0.25 watt
Taper type=0.12 watt

over 100K ohms
Linear type=0.2 watt
Taper type=0.1 watt

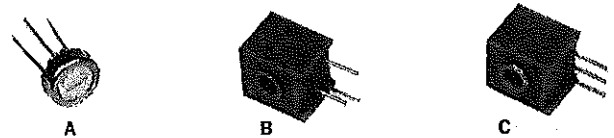


RESIS.	TAPER	TYPE	PART NO.
500 ±30%	Linear	C	18-82238D11
1K ±30%	Linear	A	18-82238D04
2.5K ±30%	Linear	B	18-82238D05
5K ±30%	Linear	A	18-82238D20
10K ±10%	Linear	C	18-82238D15
20K ±10%	Linear	C	18-82238D14

RESIS.	TAPER	TYPE	PART NO.
25K ±30%	Linear	A	18-82238D06
50K ±30%	Linear	B	18-82238D18
100K ±10%	Linear	C	18-82238D13
100K ±30%	Linear	B	18-82238D08
500K ±30%	Linear	B	18-82238D16
1 Meg ±30%	Linear	B	18-82238D17

POTENTIOMETERS Miniature Printed Circuit Potentiometers

(Cermet Type Screwdriver Set. Use In Portable And Mobile Equip.)



RESIS.	TAPER	WATTAGE	TYPE	PART NO.
1K ±20%	Linear	1/2W@85°C		18-83067F01*
1K ±20%	Linear	1/2W@85°C	C	18-83067F04
2K ±10%	Linear	1/2W@70°C	A	18-5501C01
4K ±10%	Linear	1/2W@70°C	A	18-5501C09
5K ±10%	Linear	1/2W@70°C	A	18-5501C02
10K ±20%	Linear	1/2W@85°C	C	18-83067F05
10K ±20%	Linear	1/2W@85°C	B	18-83067F02
10K ±10%	Linear	1/2W@70°C	A	18-5501C03

RESIS.	TAPER	WATTAGE	TYPE	PART NO.
25K ±20%	Linear	1/2W@85°C		18-83067F03*
50K ±10%	Linear	1/2W@70°C	A	18-5501C04
50K ±10%	Linear	1/2W@70°C	B	18-5501C06
50K ±10%	Linear	1/2W@70°C	A	18-5501C08
100K ±10%	Linear	1/2W@70°C	A	18-5501C05
500K ±10%	Linear	1/2W@70°C	B	18-5501C07
500K ±10%	Linear	1/2W@70°C	A	18-5501C10

*Not shown. Similar to Fig. B, with top adjust

POTENTIOMETER/SWITCH Miniature Composition Potentiometer

(Single Pole, Single Throw Switch) Used In Portable Equipment.

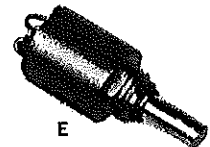
(Switch Rating: 6.5A @ 1.5 V DC—0.2A @ 45 V DC)



RESIS.	TAPER	WATTAGE	TYPE	PART NO.
4K ±20%	20% CCW	.1 Watt	D	18-82941C01
10K ±20%	Linear	.1 Watt	D	18-82941C02
50K ±20%	10% CCW	.1 Watt	D	18-82941C03
500K ±20%	10% CCW	.1 Watt	D	18-82941C04

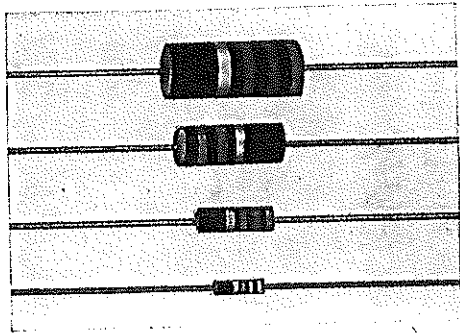
MINIATURE POTENTIOMETER

(Cermet Type, Waterproof, Used In Portable Equipment.)



RESIS.	TAPER	WATTAGE	TYPE	PART NO.
25K	Special	.35W@55°C	E	18-533E01
25K	Special	.35W@55°C	E	18-5055E01

Resistors



Carbon resistors in order of ohms

Ohms	Tol.	1/8W	1/4W	1/2W	1W	2W
10	5%	—	06-124A01	06-125A01	06-126A01	06-127A01
	10%	06-185B55	06-124C01	06-125C01	06-126C01	06-127C01
12	5%	—	06-124A03	06-125A03	—	06-127A03
	10%	06-185B56	06-124C03	06-125C03	06-126C03	06-127C03
15	5%	06-185A05	06-124A05	06-125A05	06-126A05	06-127A05
	10%	06-185B57	06-124C05	06-125C05	06-126C05	06-127C05
18	5%	06-185A07	06-124A07	06-125A07	06-126A07	06-127A07
	10%	06-185B58	06-124C07	06-125C07	06-126C07	06-127C07
22	5%	06-185A09	06-124A09	06-125A09	06-126A09	06-127A09
	10%	06-185B59	06-124C09	06-125C09	06-126C09	06-127C09
27	5%	—	06-124A11	06-125A11	—	—
	10%	06-185B60	06-124C11	06-125C11	06-126C11	06-127C11
33	5%	06-185A13	06-124A13	06-125A13	06-126A13	06-127A13
	10%	06-185B61	06-124C13	06-125C13	06-126C13	06-127C13
39	5%	—	06-124E15	06-125A15	06-126A15	06-127A15
	10%	06-185B62	06-124C15	06-125C15	06-126C15	06-127C15
47	5%	06-185A17	06-124A17	06-125A17	06-126A17	—
	10%	06-185B63	06-124C17	06-125C17	06-126C17	06-127C17
56	5%	06-185A19	06-124A19	06-125A19	06-126A19	06-127A19
	10%	06-185B64	06-124C19	06-125C19	06-126C19	06-127C19
68	5%	06-185A21	06-124A21	06-125A21	—	06-127A21
	10%	06-185B65	06-124C21	06-125C21	06-126C21	06-127C21
82	5%	06-185A23	06-124A23	06-125A23	06-126A23	—
	10%	06-185B66	06-124C23	06-125C23	06-126C23	06-127C23
100	5%	06-185A25	06-124A25	06-125A25	06-126A25	—
	10%	06-185B67	06-124C25	06-125C25	06-126C25	06-127C25
120	5%	06-185A27	06-124A27	06-125A27	06-126A27	06-127A27
	10%	06-185B68	06-124C27	06-125C27	06-126C27	06-127C27
150	5%	06-185A29	06-124A29	06-125A29	—	—
	10%	06-185B69	06-124C29	06-125C29	06-126C29	06-127C29
180	5%	06-185A31	06-124A31	06-125A31	06-126A31	06-127A31
	10%	06-185B70	06-124C31	06-125C31	06-126C31	06-127C31
220	5%	06-185A33	06-124A33	06-125A33	—	—
	10%	06-185B71	06-124C33	06-125C33	06-126C33	06-127C33
270	5%	06-185A35	06-124A35	06-125A35	06-126A35	—
	10%	06-185B72	06-124C35	06-125C35	06-126C35	06-127C35
330	5%	06-185A37	06-124A37	06-125A37	06-126A37	—
	10%	06-185B73	06-124C37	06-125C37	06-126C37	06-127C37
390	5%	06-185A39	06-124A39	06-125A39	06-126A39	06-127A39
	10%	06-185B74	06-124C39	06-125C39	06-126C39	06-3995
470	5%	06-185A41	06-124A41	06-125A41	06-126A41	—
	10%	06-185B75	06-124C41	06-125C41	06-126C41	06-127C41
560	5%	—	06-124A43	06-125A43	06-126A43	—
	10%	06-185B76	06-124C43	06-125C43	06-126C43	06-127C43
680	5%	06-185A45	06-124A45	06-125A45	06-126A45	06-127A45
	10%	06-185B77	06-124C45	06-125C45	06-126C45	06-127C45
820	5%	06-185A47	06-124A47	06-125A47	06-126A47	06-127A47
	10%	06-185B78	06-124C47	06-125C47	06-126C47	06-127C47
1000	5%	06-185A49	06-124A49	06-125A49	06-126A49	06-127A49
	10%	06-185B79	06-124C49	06-125C49	06-126C49	06-127C49
1200	5%	06-185A51	06-124A51	06-125A51	—	06-127A51
	10%	06-185B80	06-124C51	06-125C51	06-126C51	06-127C51
1500	5%	06-185A53	06-124A53	06-125A53	06-126A53	06-127A53
	10%	06-185B81	06-124C53	06-125C53	06-126C53	06-127C53

RESISTORS

Molded, insulated composition resistors designed to give high quality performance at low cost. Leads are permanently anchored to insure noise-free operation. K = 1,000. MEG. = 1,000,000. Only resistors of 10% tolerance of 1/8, 1/4, 1/2, 1 & 2 watt rating are available on file cards (10 resistors to a card). All others not on cards are sold as indicated in price listing.

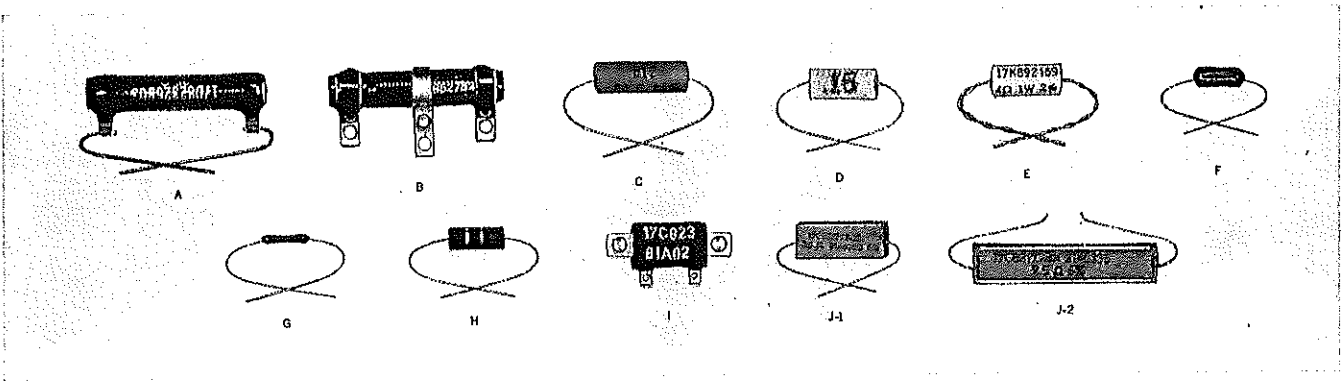
Ohms	Tol.	1/8W	1/4W	1/2W	1W	2W
1800	5%	06-185A55	06-124A55	06-125A55	06-126A55	06-127A55
	10%	06-185B82	06-124C55	06-125C55	06-126C55	06-127C55
2200	5%	06-185A57	06-124A57	06-125A57	06-126A57	06-127A57
	10%	06-185B83	06-124C57	06-125C57	06-126C57	06-127C57
2700	5%	06-185A59	06-124A59	06-125A59	—	—
	10%	06-185B84	06-124C59	06-125C59	06-126C59	06-127C59
3300	5%	06-185A61	06-124A61	06-125A61	06-126A61	06-127A61
	10%	06-185B85	06-124C61	06-125C61	06-126C61	06-127C61
3900	5%	06-185A63	06-124A63	06-125E63	06-126A63	—
	10%	06-185B86	06-124C63	06-125C63	06-126C63	06-127C63
4700	5%	06-185A65	06-124A65	06-125A65	06-126A65	06-127A65
	10%	06-185B87	06-124C65	06-125C65	06-126C65	06-127C65
5600	5%	06-185A67	06-124A67	06-125A67	06-126A67	—
	10%	06-185B88	06-124C67	06-125C67	06-126C67	06-127C67
6800	5%	06-185A69	06-124A69	06-125E69	—	—
	10%	06-185B89	06-124C69	06-125C69	06-126C69	06-127C69
8200	5%	06-185A71	06-124A71	06-125A71	—	—
	10%	06-185B90	06-124C71	06-125C71	06-126C71	06-5725
10K	5%	06-185A73	06-124A73	06-125A73	—	06-127A73
	10%	06-185B91	06-124C73	06-125C73	06-126C73	06-127C73
12K	5%	06-185A75	06-124A75	06-125A75	06-126A75	06-400061
	10%	06-185B92	06-124C75	06-125C75	06-126C75	06-127C75
15K	5%	06-185A77	06-124A77	06-125A77	—	06-127A77
	10%	06-185B93	06-124C77	06-125C77	06-127C77	06-126C77
18K	5%	06-185A79	06-124A79	06-125E79	06-10053E41	06-127A79
	10%	06-185B94	06-124C79	06-125C79	06-5734	06-127C79
22K	5%	06-185A81	06-124A81	06-125A81	—	—
	10%	06-185B95	06-124C81	06-125C81	06-126C81	06-127C81
27K	5%	06-185A83	06-124A83	06-125A83	—	06-127A83
	10%	06-185B96	06-124C83	06-125C83	06-126C83	06-127C83
33K	5%	06-185A85	06-124A85	06-125A85	—	—
	10%	06-185B97	06-124C85	06-125C85	06-126C85	06-127C85
39K	5%	06-185A87	06-124A87	06-125A87	06-400461	—
	10%	06-185B98	06-124C87	06-125C87	06-126C87	06-127C87
47K	5%	06-185A89	06-124A89	06-125A89	06-126A89	06-3925
	10%	06-185B99	06-124C89	06-125C89	06-126C89	06-127C89
56K	5%	06-185A91	06-124A91	06-125A91	06-126A91	—
	10%	06-185C01	06-124C91	06-125C91	06-126C91	06-127C91
68K	5%	06-185A93	06-124A93	06-125A93	—	06-127A93
	10%	06-185C02	06-124C93	06-125C93	06-6236	06-127C93
82K	5%	06-185A95	06-124A95	06-125A95	06-126A95	—
	10%	06-185C03	06-124C95	06-125C95	06-126C95	06-5762
100K	5%	06-185A97	06-124A97	06-125A97	06-2038	—
	10%	06-185C04	06-124C97	06-125C97	06-126C97	06-127C97
120K	5%	06-185A99	06-124A99	06-125A99	—	—
	10%	06-185C05	06-124C99	06-125C99	06-5698	06-127C99
150K	5%	06-185B02	06-124B02	06-125B02	—	—
	10%	06-185C06	06-124D02	06-125D02	06-126D02	06-127D02
180K	5%	06-185B04	06-124B04	06-125B04	—	—
	10%	06-185C07	06-124D04	06-125D05	06-126C31	06-2012
220K	5%	06-185B06	06-124B06	06-125B06	—	06-127B06
	10%	06-185C08	06-124D06	06-125D06	06-126D06	06-127D06

(Continued on next page)

Continued from previous page.

	Tol.	1/8W	1/4W	1/2W	1W	2W
270K	5%	06-185B08	06-124B08	06-125B08	—	—
	10%	06-185C09	06-124D08	06-125D08	06-126D08	06-5769
330K	5%	06-185C09	06-124B10	06-125B10	—	—
	10%	06-185C10	06-124D10	06-125D10	06-5717	06-127D10
390K	5%	06-185B12	06-124B12	06-125B12	—	06-127B12
	10%	06-185C11	06-124D12	06-125D13	06-5723	06-127D12
470K	5%	06-185B14	06-124B14	06-125B14	06-400207	—
	10%	06-185C12	06-124D14	06-125D14	06-126D14	06-127D14
560K	5%	—	06-124B16	06-125B16	—	—
	10%	06-185C13	06-124D16	06-125D16	06-5666	—
680K	5%	06-185B18	06-124B18	06-125B18	—	—
	10%	06-185C14	06-124D18	06-125D18	06-10053F38	06-2081
820K	5%	—	06-124B20	06-125B20	—	06-127B20
	10%	06-185C15	06-124D20	06-125D20	06-2053	06-118244
1.0MEG	5%	06-185B22	06-124B22	06-125B22	—	—
	10%	06-185C16	06-124D22	06-125D22	06-5767	06-127D22
1.2MEG	5%	06-185B24	06-124B24	06-125B24	—	—
	10%	06-185C17	06-124D24	06-125D24	06-490717	—
1.5MEG	5%	06-185B26	06-124B26	06-125B26	—	—
	10%	06-185C18	06-124D26	06-125D26	06-488031	06-122539
1.8MEG	5%	—	06-124B28	06-125B28	—	06-119185
	10%	06-185C19	06-124D28	06-125D28	—	—
2.2MEG	5%	—	06-124B30	06-125B30	—	—
	10%	06-185C20	06-124D30	06-125D30	06-2011	06-127D30

	Tol.	1/8W	1/4W	1/2W	1W	2W
2.7MEG	5%	—	06-124B32	06-125B32	—	—
	10%	06-185C21	06-124D32	06-125D32	06-127852	—
3.3MEG	5%	06-185B34	06-124B34	06-125B34	—	06-127B34
	10%	06-185C22	06-124D34	06-125D34	06-488032	—
3.9MEG	5%	—	06-124B36	06-125B36	—	—
	10%	06-185C23	06-124D36	06-125D36	—	—
4.7MEG	5%	06-185B38	—	06-125B38	—	—
	10%	06-185C24	06-124D38	06-125D38	06-476018	—
5.6MEG	5%	—	06-124B40	—	06-114253	—
	10%	06-185C25	06-124D40	06-125D40	—	06-127D40
6.8MEG	5%	06-185B42	—	06-125B42	—	—
	10%	06-185C26	—	06-125D42	—	—
8.2MEG	5%	06-185B44	06-124B44	—	06-114114	—
	10%	06-185C27	—	—	06-5585	—
10MEG	5%	06-185B46	06-124B46	—	—	—
	10%	06-185C28	06-124D46	06-125D46	—	06-127D46
12MEG	5%	06-185B48	—	—	—	—
	10%	06-185C29	—	06-125D48	—	06-122545
15MEG	5%	—	—	06-125B50	—	—
	10%	06-185C30	06-124D50	06-476065	—	06-120242
18MEG	5%	—	06-124B52	—	—	—
	10%	06-185C31	—	—	—	—
22MEG	5%	—	06-125B54	06-124B54	—	—
	10%	06-185C32	06-124D54	06-125D54	—	—



FIXED WIRE WOUND RESISTORS IN ORDER OF VALUE

Resistance Ohms	Tol. ±%	Watts	Terminal and Figure	Part No.	Resistance Ohms	Tol. ±%	Watts	Terminal and Figure	Part No.	Resistance Ohms	Tol. ±%	Watts	Terminal and Figure	Part No.
.035	3	1	Lead G	17-82069G04	.4	10	10	Lug A	17D82326B02	1.5	10	1/2	Lead H	17K890466
.1	10	5	Lug A	17K861734	.47	10	1/2	Lead H	17K850984	1.5	10	1	Lead D	17C82350A07
.1	5	3	Lead C	17C82291B24	.5	10	10	Lead A	17K805209	1.5	5	3	Lead C	17C82291B08
.10	10	7	Lead J-2	17-82177B50	.5	5	5	Lug A	17K822499	1.5	10	3	Lead F	17-851523
.15	10	5	Lug A	17K861735	.56	10	1	Lead H	17K850997	1.8	10	1	Lead H	17K890469
.16	10	10	Lead J-2	17D82177B26	.56	5	2	Lead C	17C82036G18	2	10	10	Lug I	17C82381A02
.16	10	1.0	Lead D	17C82350A05	.62	5	2	Lead C	17C82036G20	2	2	1	Lead E	17K847359
.2	1	2	Lead C	17C82291B29	.667	1	3	Lead H	17C82476B03	2	10	25	Lug A	17K863774
.25	5	30	Lug I	17-82381A22	.7	10	5	Lead J-1	17C82177B12	2	10	1	Lead H	17K863773
.25	10	20	Lug A	17-82326B10 (Replaces 17-857086)	.7	10	10	Lug A	17D82326B09	2	3	1	Lead G	17A82069G01
.25	10	20	Lug A	17D82326B10	.75	5	2	Lead C	17C82036G13	2	10	2	Lead C	17C82036G03
.27	10	2	Lead C	17C82036G05	.75	3	1	Lead G	17C82069G03	2	10	5	Lead J-2	17-82177B53
.3	5	2	Lead C	17C82036G24	1	10	2	Lead H	17K855604	2	3	2	Lead C	17C82036G26
.3	5	2	Lead C	17C82036G32						2	5	20	Lug I	17C82381A13
.32	1	3	Lead	17C82476B04						2.2	5	2	Lead C	17C82036G19
.33	10	1	Lead H	17K848766						2.33	1	3	Lead C	17C82476B02
.33	10	1/2	Lead H	17K890467	1	5	1/2	Lead H	17K475649	2.5	5	20	Lug I	17C82381A07
.33	1	2	Lead C	17C82291B23	1	10	5	Lead C	17K865772	2.5	10	5	Lead J-1	17C82177B10
.33	10	1	Lead D	17C82350A11	1	10	25	Lug A	17K861376	2.5	5	10	Lead J-2	17C82177B11
.39	10	5	Lead J-2	17-82177B49	1	5	3	Lead C	17C82291B07	2.5	3	1	Lead G	17C82069G02
					1	10	10	Lug I	17C82381A12	2.7	10	1	Lead H	17C890468

Resistors

FIXED WIRE WOUND RESISTORS IN ORDER OF VALUE (continued)

Resistance Ohms	Tol. ±%	Watts	Terminal and Figure	Part No.	Resistance Ohms	Tol. ±%	Watts	Terminal and Figure	Part No.	Resistance Ohms	Tol. ±%	Watts	Terminal and Figure	Part No.
2.7	5	1/2	Lead H	17K892226	20	5	10	Lug I	17C82381A06	400	5	5	Lead C	17C82291B18
2.7	10	2	Lead C	17C82036G06	20	5	10	Lug A	17K850719	500	10	10	Lug A	17K82232
2.7	5	2	Lead C	17C82036G36	20	10	5	Lead C	17K868695	500	10	15	Lug I	17C82381A04
3	10	25	Lug A	17K857102	20	5	5	Lead J-1	17C82177B07	750	10	10	Lead A	17K80178
3	5	10	Lug A	17K850718	20	5	5	Lug A	17-82326B13	750	5	10	Lug A	17K874346
3	10	5	Lead A	17K82839	20	5	10	Lug I	17-82381A06	750	5	5	Lug A	17K874343
3	10	3	Lead F	17K852457	22	10	10	Lug A	17D82326B01	750	10	5	Lead C	17C82291B26
3	10	1.5	Lead D	17C82350A01	25	10	50	Lug A	17K83918	900	5	5	Lead C	17C82291B32
3	10	5	Lead J-1	17C82177B01	25	10	10	Lead J-2	17D82177B34	1000	10	5	Lead J-1	17D82177B21
3	10	20	Lug I	17C82381A09	27	5	2	Lead C	17C82036G04	1000	3	5	Lead C	17C82291B17
3.3	10	2	Lead H	17K893371	30	5	5	Lead A	17K85494	1000	10	3	Lead F	17C82535B01
3.9	10	2	Lead C	17C82036G02	30	5	10	Lead H	17D82326B11	1200	5	3	Lead C	17C82291B31
3.9	5	1/2	Lead H	17K837834	32	5	5	Lead J-1	17C82177B02	1200	5	5	Lead C	17-83060B01 (Replaces 17-82291B33)
4	5	10	Lead J-2	17C82177B14	33	10	2	Lead C	17C82036G11					
4	10	3	Lead E	17A82620B01	35	10	3	Lead F	17K867503					
4	10	25	Lug A	17K893619	35	10	7	Lead J-2	17-82177B46	1250	10	50	Lug A	17K850870
4	2	5	Lug A	17K850762	40	2	2	Lead C	17C82036G31	1250	5	10	Lug A	17-893552
4	2	3	Lead A	17B821901	40	5	5	Lead A	17K474955	1500	10	10	Lug A	17K834312
4	2	1	Lead E	17K892469	40	10	5	Lead J-1	17D82177B36	1500	10	15	Lead J-2	17-82177B35
4	10	5	Lead C	17K868694	45	10	15	Lug I	17-82381A20	1500	10	25	Lug A	17K86390
4	5	5	Lead J-1	17C82177B03	47	10	1.5	Lead D	17C82350A02	1800	10	35	Lug A	17B892965
4	5	10	Lead J-2	17D82177B19	50	10	5	Lead A	17K812897	2000	10	35	Lug A	17K892966
4	5	20	Lug I	17C82381A14	50	10	10	Lug A	17K81760	2000	10	25	Lug A	17K890906
4	1	3	Lead C	17C82476B06	50	10	1.5	Lead D	17C82350A03	2000	10	10	Lead A	17K107126
4.3	5	2	Lead C	17C82036G09	50	5	3	Lead C	17C82291B15	2000	10	5	Lug A	17K823110
4.7	5	1/2	Lead H	17K837833	50	10	5	Lead J-1	17D82177B18	2000	10	15	Lead J-2	17D82177B27
5	10	15	Lug I	17C82381A03	50	10	7	Lead J-2	17D82177B20	2200	10	5	Lead J-1	17D82177B33
5	5	10	Lug A	17K852448	50	10	25	Lug B	17B82063A02	2200	10	10	Lug A	17D82326B05
5	10	5	Lead J-1	17C82177B04	51	5	1/2	Lead C	17-82036G39	2500	5	10	Lead C	17K483409
6	5	10	Lead A	17K85491	60	10	5	Lead C	17C82291B30	2500	5	5	Lead A	17K811414
6	10	1.5	Lead D	17C82350A06	68	10	2	Lead C	17C82036G01	2700	5	3	Lead J-1	17D82177B24
6.67	1	3	Lead C	17C82476B01	75	10	10	Lug A	17K801780	3000	10	25	Lug A	17C83436
6.8	10	1/2	Lead H	17K850985	75	10	7	Lead J-2	17D82177B29	3000	5	10	Lug A	17K800588
6.8	5	1	Lead H	17K861289	75	10	10	Lug I	17C82381A11	4000	5	10	Lug A	17K800589
7	5	10	Lug A	17K832491	80	10	3	Lead D	17C82350A10	4500	5	5	Lead A	17K872249
7	10	5	Lug A	17K849324	84	5	5	Lead C	17C82291B12					
7	10	5	Lead C	17K865603	100	10	10	Lug A	17K801779					
7.5	10	5	Lead A	17K482472	100	10	25	Lug A	17K859545					
8.2	5	1/2	Lead H	17K892227	100	10	5	Lead J-1	17D82177B16					
9	5	5	Lead A	17K85492	100	5	2	Lead C	17C82036G28	4500	10	7	Lead J-2	17D82177B15
10	5	5	Lead A	17K892297	100	10	3	Lead C	17C82291B21	4600	5	5	Lead C	17C82291B11
10	5	2	Lead C	17C82036G08	100	5	20	Lead A	17D82326B07	5000	10	25	Lug A	17K86389
10	10	5	Lead J-1	17D82177B32	120	5	5	Lead J-1	17-82586H02 (Replaces 17-82177B48)	5000	10	5	Lead A	17K837378
11.1	1	3	Lead C	17C82476B05	125	10	25	Lug A	17K854083	5000	10	10	Lead J-2	17D82177B22
12	10	15	Lug I	17-82381A24	150	3	3	Lead C	17-82476B07	5600	5	5	Lead C	17C82291B27
12.5	10	50	Lug A	17K858372	150	5	10	Lug A	17K837759	6000	10	25	Lug A	17K804758
13	5	2	Lead C	17C82036G35	175	5	15	Lug I	17-82381A15	6000	10	10	Lead J-2	17D82177B39
13	10	15	Lead J-2	17-82177B44	180	10	2	Lead C	17C82036G10	7000	10	5	Lead A	17K842001
15	10	10	Lead A	17-847697	180	5	2	Lead C	17C82036G23	7500	10	25	Lug A	17K890905
15	2	5	Lead A	17K84494	180	10	5	Lead C	17C82291B05					
15	5	5	Lead J-1	17C82177B09	180	5	3	Lead C	17C82291B13	8000	5	10	Lug A	17K480401
15	5	5	Lead C	17C82291B05	200	10	50	Lug A	17K858348	9100	5	5	Lead C	17C82291B20
15	5	7	Lead C	17C82291B19	200	10	5	Lead J-1	17C82177B08	10,000	10	10	Lead A	17K80162
15	5	20	Lug I	17-83389G01	200	5	5	Lead J-1	17D82177B40	10,000	10	5	Lead A	17K82747
15	10	20	Lug I	17-82381A19	270	10	10	Lead C	17C82036G16	16,200	5	5	Lead C	17C82291B04
16	10	10	Lug A	17K838571	350	10	5	Lead A	17K833841	18,000	5	5	Lead C	17-82291B34
17	10	15	Lead J-2	17-82177B47	350	10	20	Lead A	17-82177B37	25,000	10	10	Lug A	17K842399
18	5	2	Lead C	17C82036G27	400	10	5	Lead J-1	17D82177B31	25,000	10	10	Lug A	17K824569

MOUNTING KITS

Kit includes screws, washers, nuts, eyelets and fibre washers for mounting resistors in upright position; enough material for mounting 5 resistors.

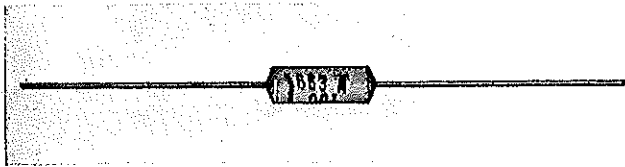
MODEL NO.

DESCRIPTION

*PDK171
PDK172

5 & 10 watt size
20 watt size

*Mtg. 5 ea. of 5 & 10 Watt Size



MYLAR CAPACITORS

Mylar* dielectric round tubular capacitors provide excellent stability over temperature range of -40°C to $+85^{\circ}\text{C}$.

* Dupont Trade Mark

100 Volts

MFD	% TOL.	SIZE	PART NUMBER
.0033	10	.5 x .156	8K 861939
.0047	10	.5 x .156	8K 857303
.0068	20	9/16 x 1/4	8K 867165
.015	10	.12 x .2 x .6	8-82317B07
.02	10	9/16 x 7/32	8K 863628
.047	10	13/16 x 1/4	8K 852471
.1	10	31/32 x .359	8K 864428
.12	10	1.06 x .328	8C 82396B06
.36	$\pm 5\%$	1.25 x .5	8C 82396B09
1.0	20	1.25 x .70	8K 859592
2.0	20	.81 x 1.75	8C 82396B04

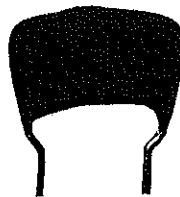
200 Volts

MFD	% TOL.	SIZE	PART NUMBER
.001	10	1/2 x .156	8K 857474
.0022	10	1/2 x .156	8K 857475
.0068	10	.25 x .56	8K 868925
.01	10	1/2 x .171	8K 857473
.015	10	5/8 x 7/32	8K 854329
.022	10	3/4 x .312	8K 863508
.033	10	7/8 x .250	8K 863006
.05	10	.750 x .296	8C 82396B02
.068	10	13/16 x .312	8K 861094
.15	10	1 x 1/2	8K 867213
.47	10	1-3/8 x 1/2	8K 863028
1.0	10	1.62 x .56	8C 82396B01
2.0	10	.56 x 1.62	8K 863305
4.0	10	.81 x 1.38	8K 863550

400 Volts

MFD	% TOL.	SIZE	PART NUMBER
.0015	10	.719 x .202	8C 82396B05
.0047	20	11/16 x 1/4	8K 847106
.01	20	11/16 x 9/32	8K 847105
.015	10	5/8 x 3/8	8K 861259
.022	10	.812 x .312	8K 863322
.033	20	15/16 x 7/16	8C 845109
.047	10	15/16 x 13/32	8K 868503
.1	10	1 x .421	8K 858371
1.0	10	2 x .812	8K 858370

ENCAPSULATED CAPACITORS



Mylar dielectric capacitors encapsulated with a phenolic resin. Rated continuous duty operation over a temperature range of -30°C to 85°C . (All 10% tolerance, except those indicated by asterisk (*) are 5%).

MFD	VOLTS	SIZE	PART NUMBER
.0068	200	.80 x .73 x .33	8C 82095G02
.056	200	.80 x .73 x .35	8C 82095G16*
.068	200	.80 x .73 x .35	8C 82095G04
.068	200	.80 x .64 x .35	8C 82095G15
.10	200	.80 x .74 x .38	8C 82095G06
.10	200	.80 x .71 x .38	8C 82095G13
.10	400	.80 x .95 x .56	8C 82095G08
.22	200	.90 x .40 x .187	8C 82095G17

MYLAR CAPACITORS METALLIZED

New mylar dielectric capacitors have premolded plastic case. New small size for those tight places where length and height are important factors. Working temperature range of -30°C to $+85^{\circ}\text{C}$.

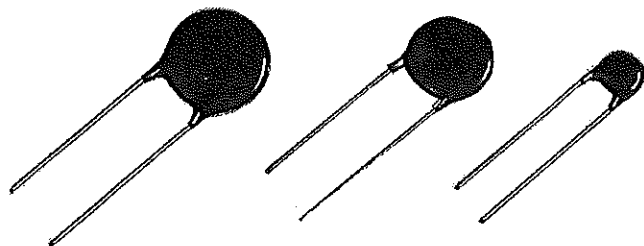
MFD	TOL%	VOLTS	L	H	T	LD.S	PART NO.
.001	5	630	.418	.359	.162	.295	08-84637L17
.0012	5	1000	.517	.359	.162	.394	08-84637L03
.0033	10	1000	.517	.359	.162	.394	08-84637L04
.0039	5	630	.517	.359	.162	.394	08-84637L05
.0068	5	630	.517	.359	.162	.394	08-84637L06

MFD	TOL%	VOLTS	L	H	T	LD.S	PART NO.
.010	5	630	.517	.359	.162	.394	08-84637L07
.012	5	400	.517	.359	.162	.394	08-84637L19
.015	10	400	.517	.359	.162	.394	08-84637L08
.023	5	400	.517	.359	.162	.394	08-84637L09
.030	5	250	.517	.359	.162	.394	08-84637L10
.033	5	250	.418	.359	.162	.295	08-84637L02
.033	5	250	.517	.359	.162	.394	08-84637L11
.047	10	250	.517	.359	.162	.394	08-82637L12
.082	10	250	.517	.359	.162	.394	08-84637L13
.100	10	100	.517	.359	.162	.394	08-84637L14
.12	5	100	.517	.359	.162	.394	08-84637L18
.15	5	100	.517	.359	.162	.394	08-84637L01
.27	5	100	.514	.438	.202	.394	08-82637L15



Capacitors

CERAMIC DISC CAPACITORS



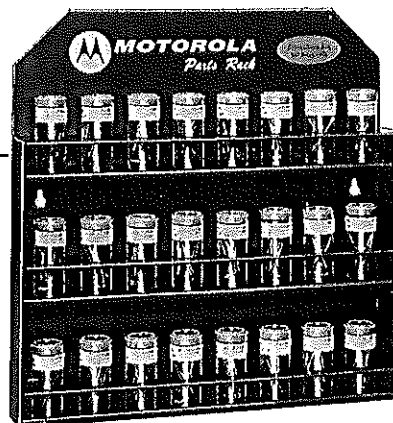
Low inductance dipped ceramics for bypass, coupling and general applications in high-frequency circuits.

TYPE N capacitors decrease in capacity with an increase in temperature. Type N470, for example, will show a decrease in capacity of 470 parts per million per degree centigrade increase in temperature.

Explanation of EIA temperature characteristic designation

TEMPERATURE RANGE	MAXIMUM CAPACITY CHANGE OVER TEMP. RANGE
X5 = -55°C to +85°C	Suffix F = ±7.5%
Y5 = -30°C to +85°C	Suffix R = ±15%
Z5 = +10°C to +85°C	Suffix U = +22%-56%

MMF	% TOL.	TEMP. COEFF.	VOLT	DIA.	PART NO.
2	.25	MMFD NPO	500	.290	21-857336*
2	.25	MMFD NPO	500	.290	21-83406D52
3	.5	MMFD NPO	500	.290	21-852259*
3	.5	MMFD NPO	500	.290	21-82133G45
3.3	.5	MMFD NPO	500	.290	21-840067
3.3	.25	MMFD N330	500	.295	21-859214
3.9	.25	MMFD NPO	500	.290	21-838284
3.9	.25	MMFD NPO	500	.296	21-83406D76
4	.25	MMFD NPO	500	.290	21-83406D54
4	.5	MMFD N150	200	.290	21-82610C36
4	10	N150	250	.290	21-847052
4	5	N330	500	.290	21-849320
4	5	NPO	500	.290	21-840850*
4.25	.25	MMFD NPO	500	.290	21-84493B54
4.7	.25	MMFD NPO	500	.290	21-83406D80
4.7	.25	MMFD NPO	500	.290	21-82133G41
5	.25	MMFD NPO	500	.290	21-83406D65
5	.25	MMFD N150	500	.290	21-83406D02
5	.25	MMFD N470	500	.290	21-82204B33
5	5	NPO	500	.290	21-840847*
5	5	N150	500	.290	21-863466
5.6	.25	MMFD NPO	500	.290	21-83406D64
6	5	NPO	500	.295	21-840848*
6	.25	MMFD NPO	500	.290	21-838113
6	.5	MMFD NPO	500	.290	21-82133G26
6	5	N150	500	.290	21-864746
6	5	N330	500	.290	21-849333
6.8	.25	MMFD NPO	500	.290	21-83406D10
6.8	.25	MMFD NPO	500	.290	21-83406D84
6.8	.25	MMFD N150	500	.290	21-82133G76
6.8	.25	MMFD N330	500	.290	21-84493B51
6.8	5	N150	500	.290	21-84493B40
7.5	.5	MMFD NPO	500	.290	21-857337
7.5	.5	MMFD NPO	500	.290	21-82133G14
8	.25	MMFD N150	500	.290	21-84493B50
8	.25	MMFD NPO	500	.290	21-83406D70
8	.25	MMFD N470	500	.290	21-84493B43
8	.5	MMFD NPO	500	.290	21-82133G22
8	.5	MMFD N150	500	.290	21-83406D14
8	.5	MMFD NPO	500	.295	21-847743*
8	.5	MMFD N150	500	.290	21-838912
8	5	N330	500	.290	21-849319
8.2	.5	MMFD N150	500	.290	21-82133G79
9	.5	MMFD N150	500	.290	21-83406D15
9	.5	MMFD N150	500	.290	21-859642
10	.5	MMFD NPO	500	.290	21-82133G21
10	.5	MMFD NPO	500	.290	21-83406D89
10	5	NPO	500	.290	21-868206*
10	5	N470	500	.290	21-840811



PDK 212 CERAMIC DISC CAPACITOR ASSORTMENT WITH FREE METAL RACK

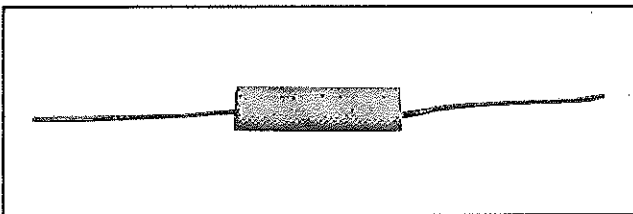
This convenient assortment of NPO capacitors includes the most commonly used values required for general day-to-day servicing. Capacitors are packaged in clear plastic tubes with easy-to-read labels for fast identification and selection. The metal storage rack ST-174 is included FREE with this assortment.

Capacitors included in Motorola's recommended assortment are indicated by asterisks (*). ALL CERAMIC CAPACITORS ARE PACKAGED 5 TO A TUBE.

MMF	% TOL.	TEMP. COEFF.	VOLT	DIA.	PART NO.
12	5	NPO	500	.290	21-847874*
12	5	N470	500	.290	21-82133G15
13	5	NPO	500	.290	21-867302
13	5	N330	500	.290	21-865054
14	5	NPO	500	.290	21-83406D95
14	5	N330	500	.290	21-836528
15	5	NPO	500	.290	21-840846*
15	5	NPO	500	.290	21-83406D79
15	5	N330	500	.290	21-861217
15	5	N750	500	.290	21-82204B53
16	5	N750	500	.390	21-83406D93
16	5	NPO	500	.290	21-848525
16	5	N330	500	.290	21-857228
16	5	NPO	—	—	21-122235*
18	5	N150	500	.290	21-83406D79
18	5	N330	500	.380	21-868897
20	5	NPO	500	.380	21-840849*
20	5	NPO	500	.380	21-83406D81
20	5	N150	500	.380	21-849334
20	5	N330	500	.380	21-82355B06
20	5	N750	500	.290	21-82133G08
22	5	N150	500	.380	21-859472
22	5	N330	500	.380	21-82355B05
24	5	NPO	500	.400	21-82133G46
24	5	NPO	500	.400	21-83406D56
24	5	NPO	500	.380	21-840365*
24	5	N150	—	—	21-840716
24	5	N220	500	.380	21-840845
27	5	NPO	500	.437	21-83406D68
27	5	N075	500	.400	21-82133G56
27	5	N330	500	.380	21-840895
27	5	N150	500	.380	21-82355B11*
30	5	NPO	500	.437	21-83406D69
30	5	N150	500	.360	21-83406D77
30	5	N330	500	.380	21-849335
30	5	NPO	500	.380	21-82355B07
33	5	NPO	500	.380	21-82355B09
33	5	NPO	500	.437	21-83406D71
33	5	N150	250	.400	21-82133G83
33	5	N150	500	.380	21-855809
36	5	NPO	500	.570	21-852185*
36	5	N080	500	.440	21-82133G84
36	5	N150	500	.400	21-82133G39
39	5	N220	500	.570	21-83406D06
40	5	NPO	200	.570	21-849338
43	3	NPO	200	.420	21-82204B29
43	5	NPO	500	.290	21-83406D87
43	5	NPO	500	.437	21-83406D42

MMF	% TOL.	TEMP. COEFF.	VOLT	DIA.	PART NO.
43	5	N080	200	.375	21-82204B28
47	5	N080	100	.344	21-82204B60
47	5	N075	500	.570	21-83406D18
51	5	N080	100	.420	21-82204B61
51	5	N150	100	.380	21-82610C62
51	5	N150	200	.380	21-82610C29
51	5	NPO	500	.570	21-82355B10*
56	5	NPO	500	.570	21-865320
56	5	N150	500	.437	21-83406D46
56	5	N150	500	.570	21-859219
57	5	N080	100	.420	21-82204B62
57	5	NPO	200	.420	21-84493B31
60	5	N080	100	.420	21-82204B69
62	5	N220	200	.344	21-82610C21
62	5	N330	100	.344	21-82204B51
68	2	N080	100	.420	21-82204B63
68	5	N220	200	.420	21-84493B25
68	5	N330	200	.380	21-82610C30
68	5	NPO	500	.570	21-865480*
75	5	N080	100	.420	21-82204B64
80	5	N150	200	.475	21-82610C68
82	2	N080	100	.420	21-82204B65
82	5	NPO	200	.475	21-82610C20
90	5	N080	100	.475	21-82204B68
100	5	N220	200	.475	21-84493B33

MMF	% TOL.	TEMP. COEFF.	VOLT	DIA.	PART NO.
100	5	N220	250	.475	21-82610C44
100	5	NPO	500	.790	21-865391*
100	10	N1500	500	.400	21-82204B06
110	5	N150	200	.475	21-82610C69
120	5	N220	200	.500	21-82610C09
150	5	NPO	200	.590	21-82610C70
150	10	NPO	200	.575	21-82204B54
220	10	X5F	500	.280	21-82187B08
270	10	X5F	500	.280	21-82187B04
330	10	X5F	600	.290	21-863629
390	10	X5F	500	.375	21-865922
470	10	X5F	500	.375	21-82187B07
560	10	X5F	500	.375	21-82187B06
680	10	X5F	500	.385	21-865452
800	10	X5R	500	.290	21-847070*
820	10	X5F	500	.400	21-837745
1000	-0+100	X5F	500	.540	21-865923*
1500	10	Z5U	500	.375	21-800801*
2000	10	X5F	500	.660	21-837746*
3300	10	X5F	500	.750	21-857334
3900	10	X5F	500	.790	21-837996
4700		X5F	500	.890	21-837747
5000	20	Z5U	500	.390	21-82447C01*
.01	20	Z5U	600	.690	21-801139*
.02	-20+80	Z5U	600	.780	21-401029*

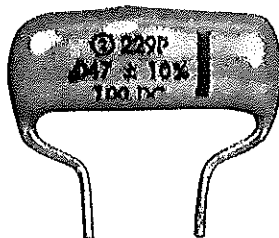


TUBULAR POLYSTYRENE CAPACITORS

Round tubular capacitors constructed of polystyrene dielectric with special temperature stability characteristics. These capacitors have a negative temperature coefficient of 70-170 ppm/degree centigrade. All rated 50 volts. All 10% tolerance.

MFD.	SIZE	PART NUMBER
.001	.625 x .234	8C 82284C01
.0015	.625 x .234	8C 82284C02
.002	.625 x .266	8C 82284C03
.0033	.750 x .234	8C 82284C04
.0047	.750 x .266	8C 82284C05
.0068	.750 x .297	8C 82284C06
.0082	.750 x .328	8C 82284C07
.010	.875 x .297	8C 82284C08
.015	.875 x .328	8C 82284C09
.020	1.00 x .328	8C 82284C10
.033	1.00 x .359	8C 82284C11
.047	1.125 x .391	8C 82284C12

MYLAR DIELECTRIC CAPACITORS



Mylar dielectric capacitors epoxy-phenolic coated. Rated for continuous duty operation over the temperature range of -30°C to +85°C. All 10% tolerance except those indicated by asterisks (*) *5% **20%.

MFD.	VOLTAGE	SIZE	PART NUMBER
.0033	100	.656 x .531 x .190	8D 82905G25
.0036	100	.656 x .531 x .190	8D 82905G37*
.0047	100	.656 x .531 x .190	8D 82905G26
.01	50	.656 x .531 x .190	8D 82905G01
.01	100	.656 x .531 x .225	8D 82905G14
.015	50	.656 x .531 x .190	8D 82905G10

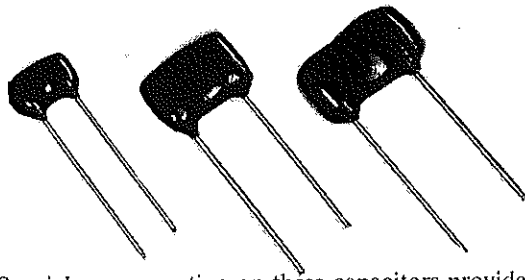
MFD.	VOLTAGE	SIZE	PART NUMBER
.015	100	.656 x .594 x .250	8D 82905G15
.018	100	.656 x .594 x .250	8D 82905G21
.02	100	.656 x .594 x .219	8D 82905G23
.022	200	.800 x .817 x .250	8D 82905G43
.030	50	.656 x .531 x .190	8D 82905G40*
.033	100	.781 x .594 x .250	8D 82905G16
.033	50	.656 x .531 x .190	8D 82905G08
.047	100	.906 x .594 x .250	8D 82905G17
.068	50	.656 x .594 x .230	8D 82905G04
.068	100	.781 x .719 x .312	8D 82905G18
.082	50	.781 x .594 x .281	8D 82905G45
.10	100	.906 x .719 x .312	8D 82905G22
.10	50	.781 x .594 x .281	8D 82905G07
.10	100	.906 x .531 x .312	8D 82905G24
.10	50	.781 x .594 x .281	8D 82905G30
.12	50	.781 x .719 x .281	8D 82905G09
.15	50	.781 x .719 x .312	8D 82905G05
.15	50	.781 x .719 x .312	8D 82905G34*
.22	50	.781 x .750 x .340	8D 82905G12
.22	50	.781 x .750 x .340	8D 82905G32
.33	50	.781 x .875 x .470	8D 82905G42
.33	100	1.125 x .533 x .400	8D 82905G46
.39	50	.781 x .875 x .500	8D 82905G41
.47	50	1.406 x .780 x .300	8D 82905G06
.47	50	1.406 x .780 x .300	8D 82905G33**

*5% **20%



Capacitors

MICA CAPACITOR

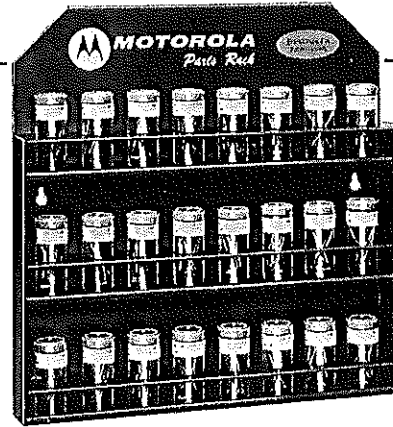


Special epoxy coating on these capacitors provides added durability and improved moisture resistance, particularly in the higher temperature range. Mica capacitors operate efficiently from -40° to $+110^{\circ}\text{C}$ with temperature coefficients in the NPO range.

The Mica capacitor is the smallest mica capacitor available. These units meet or exceed all applicable MIL and EIA standards.

MMF	% TOL.	DCWV	SIZE	PART NO.
3	.5	500	DM-15	21-867845
4	.5	500	DM-15	21-867844
5	10	500	DM-15	21-871966
10	.5MMFD	300	DM-15	21-847088
10*	5	500	DM-15	21-859934
11	.5MMFD	300	DM-15	21-847089
11	5	500	DM-15	21-84494B37
12*	5	500	DM-15	21-859935
13	5	500	DM-15	21-84494B36
15*	5	500	DM-15	21-859936
15	5	500	DM-15	21-84494B38
20*	5	500	DM-15	21-859940
20	5	500	DM-15	21-84494B32
21	5	300	DM-15	21-848272
24*	5	500	DM-15	21-859937
27	2	300	DM-15	21-847771
30*	.5MMFD	500	DM-15	21-848156
30	5	500	DM-15	21-84494B33
34	2	300	DM-15	21-847772
36	5	500	DM-15	21-84494B43
36*	5	500	DM-15	21-840712
39	5	500	DM-15	21-867249
43	5	500	DM-15	21-82537B07
47	5	500	DM-15	21-868681
51*	5	500	DM-15	21-840711
51	5	500	DM-15	21-84494B01
51	10	500	DM-15	21-840044
56	5	500	DM-15	21-84494B45
62	5	500	DM-15	21-852322
62	5	500	DM-15	21-84494B02
68	2	500	DM-15	21-873266
75*	5	500	DM-15	21-859938
75	5	500	DM-15	21-84494B31
80	2	300	DM-15	21-847091
80	5	500	DM-15	21-84494B03
90	2	300	DM-15	21-865941
91	5	500	DM-15	21-84494B52
100*	5	500	DM-15	21-850118
100	5	500	DM-15	21-84494B04
100	10	500	DM-15	21-840046
110*	5	500	DM-15	21-859939
110	5	500	DM-15	21-84494B53
120*	.5MMFD	500	DM-15	21-840713
120	5	500	DM-15	21-84494B06
130	5	500	DM-15	21-84494B26
130*	5	500	DM-15	21-859941
140	3	500	DM-15	21-84494B85
150*	5	500	DM-15	21-840047

DM-19— $\frac{1}{4}$ x $\frac{1}{2}$
 DM-15— $\frac{3}{4}$ x $\frac{3}{8}$
 DM-20— $\frac{1}{4}$ x $\frac{1}{2}$



PDK 211 MICA CAPACITOR ASSORTMENT WITH FREE METAL RACK

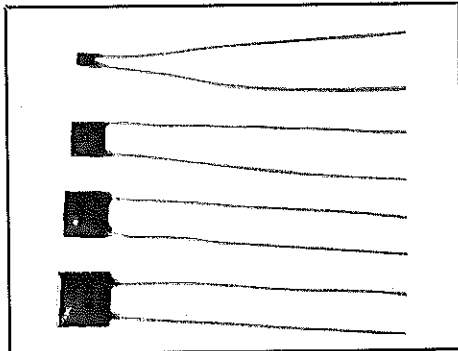
This assortment puts the capacitor you want at your fingertips. Sturdy, clear plastic tubes protect the capacitors during shop storage or field use. Each tube is readily identified by an appropriate label. Use the convenient metal rack on the bench or hang it on the wall.

Capacitors set off by asterisks are included in recommended assortment.

MMF	% TOL.	DCWV	SIZE	PART NO.
170	3	500	DM-15	21-865441
170	5	500	DM-15	21-84494B08
175	3	500	DM-15	21-868205
180	3	500	DM-15	21-84494B46
190	3	500	DM-15	21-848978
190	5	500	DM-15	21-84494B10
200*	5	500	DM-15	21-840812
200	5	500	DM-15	21-84494B11
220*	5	500	DM-15	21-859942
220	5	500	DM-15	21-84494B12
220	10	300	DM-15	21-847087
240*	5	500	DM-15	21-840048
250*	5	500	DM-15	21-859943
270	5	300	DM-15	21-859178
270	10	300	DM-15	21-847085
270	5	500	DM-15	21-84494B14
300*	5	500	DM-15	21-859944
300	5	500	DM-15	21-84494B15
330	2	500	DM-15	21-873267
330	10	300	DM-15	21-874351
345	5	500	DM-15	21-840813
390	3	500	DM-15	21-848977
390	10	300	DM-15	21-848158
390	5	500	DM-15	21-84494B18
390*	5	500	DM-15	21-859945
470	5	300	DM-15	21-82537B06
470	5	300	DM-15	21-84494B19
470	10	300	DM-15	21-850510
500*	5	500	DM-19	21-859946
510	5	300	DM-15	21-845214
510*	5	500	DM-19	21-859947
510	5	300	DM-15	21-84494B20
565	5	500	DM-19	21-863948
650	5	300	DM-15	21-848236
650	5	300	DM-15	21-84494B21
750	10	300	DM-15	21-848159
800	5	300	DM-15	21-840049
820	2	300	DM-15	21-873269
1000*	5	500	DM-19	21-847601
1200	5	300	DM-19	21-874352
1300	5	500	DM-19	21-864736
1500	2	500	DM-20	21-863291
2000*	5	500	DM-19	21-859948
2500	5	500	DM-19	21-859773
3000	5	500	DM-20	21-850994
5000	5	100	DM-19	21-857481
5100	5	300	DM-20	21-874354

* Included in Motorola Recommended Assortment PDK211
 Capacitors 300 MMFD or less are packed 5 to a tube; larger values are packed 3 to a tube.

SPECIAL MICRO-MINIATURE CERAMIC T.C. CAPACITORS



Rectangular ceramic dielectric capacitors, temperature compensating type, suitable for use in tuned circuits of miniature portable equipment over the temperature range of -40°C to $+85^{\circ}\text{C}$.

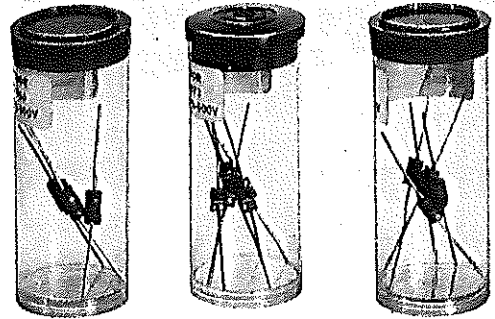
MMF	% TOL	VOLT	TEMP. COEFF.	L	SIZE H	PART NO.
13	10	50	N150 \pm 60	.158	.158	21-84511B41
13.5	5	75	N150 \pm 30	.110	.110	21-82358G61
14	5	50	N150 \pm 30	.158	.158	21-84511B77
14.3	2	25	N150 \pm 60	.100	.100	21-82358G78
15	5	25	N150 \pm 30	.100	.100	21-5311E02
15	5	50	N150 \pm 30	.158	.158	21-84511B78
15	5	75	NPO \pm 30	.220	.220	21-82877B19
15	10	75	N150 \pm 30	.180	.180	21-861462
15	10	75	N150 \pm 30	.180	.180	21-82877B22
15	10	75	N3300 \pm 650	.180	.180	21-82358G98
15.5	2	25	N150 \pm 60	.150	.150	21-82358G75
17.6	2	25	N150 \pm 60	.150	.150	21-82358G79
18	5	25	N150 \pm 30	.100	.100	21-5311E16
18	5	50	N150 \pm 30	.158	.158	21-84511B79
18	10	75	N150 \pm 30	.180	.180	21-82877B46
18	10	75	N750 \pm 75	.155	.155	21-82877B39
18.5	2	25	N150 \pm 60	.150	.150	21-82358G76
20	3	100	NPO \pm 30	.150	.150	21-82358G50
20	5	50	N150 \pm 30	.158	.158	21-5529B05
20	5	100	N150 \pm 30	.150	.150	21-5311E14
20	10	75	N150 \pm 30	.200	.200	21-861432
22	10	50	N150 \pm 30	.236	.236	21-84511B11
24	10	75	N150 \pm 30	.220	.220	21-82877B01
25	10	75	N150 \pm 30	.200	.200	21-865197
27	5	50	N150 \pm 30	.236	.236	21-5529B07
30	5	50	N150 \pm 30	.150	.150	21-5311E06
30	5	75	NPO \pm 30	.270	.270	21-82877B18
30	10	75	N150 \pm 30	.220	.220	21-82877B06
30	10	75	N750 \pm 75	.155	.155	21-864521
30	10	75	N150 \pm 30	.150	.150	21-82358G96
30	10	75	N750 \pm 75	.130	.130	21-82358G95
33	5	50	N150 \pm 30	.236	.236	21-84511B83
33	10	50	N150 \pm 30	.236	.236	21-84511B13
36	5	50	N150 \pm 30	.180	.180	21-5311E07
36	5	50	N150 \pm 30	.236	.236	21-5529B09
36	10	75	N150 \pm 30	.245	.245	21-861433
39	10	50	N150 \pm 30	.236	.236	21-84511B14
40	5	50	N150 \pm 30	.236	.236	21-5529B10
40	5	100	N220 \pm 30	.140	.140	21-82358G28
40	10	75	N150 \pm 30	.250	.250	21-861434
40	10	150	N150 \pm 30	.312	.250	21-847054
43	5	100	N150 \pm 30	.200	.200	21-82358G27
43	10	50	N150 \pm 30	.236	.236	21-84511B43
47	5	50	N150 \pm 30	.180	.180	21-5311E03
47	5	50	N150 \pm 30	.315	.315	21-5529B11
47	10	50	N150 \pm 30	.236	.236	21-84511B15
50	5	50	N150 \pm 30	.180	.180	21-82877B51
50	10	50	N150 \pm 30	.200	.200	21-82358G32
50	10	100	N3300 \pm 500	.150	.150	21-82358G15
50	10	75	N150 \pm 30	.300	.300	21-864013
50	10	150	N150 \pm 30	.312	.250	21-847055
50	10	75	N750 \pm 75	.220	.220	21-82877B03
50	10	50	NPO \pm 30	.215	.215	21-82877B31
50	10	50	N150 \pm 30	.200	.200	21-82358G33
60	5	75	N750 \pm 120	.205	.205	21-82358G99
60	10	75	N750 \pm 120	.205	.205	21-82877B42
60	10	75	N150 \pm 30	.300	.300	21-864012
62	10	50	N150 \pm 30	.315	.315	21-84511B19
65	5	50	N150 \pm 30	.200	.200	21-5311E05
65	5	100	N080 \pm 30	.260	.260	21-82358G14
68	5	200	N470 \pm 900	.100	.100	21-82358G23
68	10	50	N470 \pm 60	.200	.156	21-84511B21
70	10	75	N150 \pm 30	.200	.200	21-82358G92
70	10	75	N150 \pm 30	.300	.300	21-861435
75	10	50	N150 \pm 30	.315	.315	21-84511B75
80	10	75	N150 \pm 30	.325	.325	21-864067
80	10	50	NPO \pm 30	.265	.265	21-82877B32
90	5	75	N750 \pm 120	.270	.270	21-859202
90	10	75	N80 \pm 30	.350	.350	21-864522
90	10	50	NPO \pm 30	.280	.280	21-82877B33
91	10	50	N150 \pm 30	.394	.394	21-84511B23
91	5	100	N080 \pm 30	.394	.394	21-82358G12
100	10	50	N150 \pm 30	.200	.200	21-84511B24
100	10	50	N750 \pm 120	.200	.200	21-82877B55
100	10	150	N150 \pm 30	.400	.400	21-868384
100	10	75	N150 \pm 75	.250	.250	21-861436
100	10	75	N750 \pm 75	.170	.170	21-82358G93
100	10	75	N2200 \pm 400	.150	.150	21-82358G94
100	10	75	N2200 \pm 400	.180	.180	21-861437
120	5	50	N150 \pm 30	.394	.394	21-84511B92
120	10	50	N470 \pm 70	.394	.394	21-84511B99
120	10	75	N150 \pm 30	.385	.385	21-82877B15
120	10	75	N750 \pm 120	.260	.260	21-82877B41
125	5	25	N330 \pm 60	.205	.205	21-82358G18
130	10	100	N3300 \pm 500	.150	.150	21-82358G13
150	5	50	N150 \pm 30	.394	.394	21-84511G93
150	5	25	N220 \pm 30	.400	.225	21-82358G30
150	5	100	NPO \pm 30	.325	.325	21-82358G26
150	10	50	N150 \pm 30	.394	.394	21-84511B26
150	10	50	NPO \pm 30	.250	.500	21-82877B34
150	10	75	N1400 \pm 250	.220	.270	21-82877B02
150	10	75	N750 \pm 120	.320	.320	21-82877B05
150	10	50	N750 \pm 120	.315	.315	21-84511B94
180	5	50	N750 \pm 120	.315	.315	21-84511B95
220	5	50	N750 \pm 120	.320	.320	21-84511B49
220	10	50	N750 \pm 120	.315	.315	21-84511B27
220	10	75	N1400 \pm 250	.260	.260	21-861438
220	10	75	N1400 \pm 250	.235	.340	21-868829
220	10	75	N1400 \pm 250	.260	.260	21-82877B24
220	10	75	N470 \pm 30	.420	.420	21-82877B35
250	10	75	N750 \pm 75	.370	.370	21-82877B36
270	10	50	N750 \pm 120	.394	.394	21-84511B28
345	10	75	N2200 \pm 400	.290	.290	21-861439
470	10	75	N2200 \pm 400	.330	.320	21-861440
500	10	75	N4700 \pm 900	.320	.160	21-861441

Capacitors

MOLDED PHENOLIC CAPACITORS

Molded fixed composition capacitors for operation in high frequency coupling and bypass applications. All rated at 500 volts. Operating temperature range -40°C . to $+85^{\circ}\text{C}$. with excursions to $+105^{\circ}\text{C}$.

All composition capacitors have axial leads.



MFD.	% TOL.	SIZE	PART NUMBER	MFD.	% TOL.	SIZE	PART NUMBER	MFD.	% TOL.	SIZE	PART NUMBER
0.1	10	.400 X .160	21K838048	0.51	10	.255 X .160	21D82450B02	1.5	5	.230 X .070	21-82450B51
0.15	5	.400 X .160	21K881064	0.56	5	.230 X .107	21-82450B33	1.5	5	.250 X .107	21D82450B13
0.2	5	.400 X .160	21K830200	0.56	10	.230 X .070	21-82450B40	1.5	10	.230 X .070	21D82450B27
0.2	10	.230 X .070	21-82450B25	0.56	10	.250 X .107	21K864519	1.5	10	.240 X .107	21K861453
0.24	5	.330 X .160	21K867162	0.62	5	.250 X .107	21-82450B46	1.8	5	.230 X .070	21D82450B30
0.3	5	.330 X .160	21K830201	0.62	5	.250 X .160	21K859677	1.8	5	.250 X .107	21-82450B19
0.3	10	.250 X .160	21D82450B01	0.62	10	.230 X .070	21-82450B41	2.0	5	.250 X .107	21D82450B18
0.3	10	.230 X .070	21D82450B26	0.62	10	.250 X .107	21D82450B16	2.2	5	.250 X .107	21D82450B17
0.36	5	.330 X .160	21K842041	0.75	10	.230 X .070	21D82450B22	2.2	10	.240 X .160	21K84247
0.36	10	.250 X .160	21K891049	0.75	10	.250 X .107	21D82450B06	2.4	5	.250 X .107	21-82450B14
0.39	5	.250 X .107	21D82450B07	0.82	5	.250 X .107	21-82450B44	2.7	5	.250 X .107	21D82450B32
0.39	10	.230 X .070	21D82450B21	0.82	10	.330 X .160	21K475679	3.0	5	.250 X .107	21D82450B11
0.47	5	.250 X .107	21-82450B37	1.0	5	.250 X .160	21-82450B34	3.3	5	.250 X .107	21D82450B15
0.47	5	.255 X .160	21K865266	1.0	10	.230 X .070	21D82450B28	3.9	10	.250 X .107	21D82450B03
0.47	10	.230 X .070	21D82450B24	1.0	20	.250 X .160	21K83959	4.3	5	.250 X .107	21-82450B10
0.47	20	.330 X .160	21K83994	1.2	5	.230 X .070	21-82450B38	0.47	5	.250 X .107	21-82450B12
0.51	5	.250 X .107	21D82450B29	1.2	5	.250 X .107	21D82450B08				



Hermetically sealed aluminum electrolytic capacitors

For use over the temperature range of -30°C to $+85^{\circ}\text{C}$.

MFD.	Volts	% Tol.	Size	Part No.	MFD.	Volts	% Tol.	Size	Part No.
1	250	-10+150	.812x.344	23-82601A16	50	35	-10+150	1.062x.406	23-82601A36
2	25	-10+250	.562x.250	23D82601A04	60	15	-10+150	.875x.375	23D82601A02
2	25	-10+150	.625x.375	23D82601A20	60	15	-10+150	.937x.406	23D82601A28
3	100	-10+150	.625x.250	23D82601A15	60	25	-10+150	1.125x.375	23D82601A07
5	25	-10+33	.687x.250	23D82601A11	60	50	-10+150	1.375x.375	23D82601A06
5	25	-10+100	1.062x.406	23D82601A22	60	15	-10+150	1.562x.406	23D82601A29
5	150	-15+100	.812x.421	23-82077C02	70	15	-10+150	1.062x.406	23D82601A32
5	250	-10+100	1.125x.375	23D82601A14	100	6	-10+150	.750x.375	23D82601A12
5	300	-10+150	1.375x.421	23-82077C08	100	10	-0+100	1.062x.375	23D82601A21
10	20	-10+150	.625x.250	23D82601A23	100	20	-10+150	1.062x.406	23D82601A25
10	300	-10+100	1.375x.640	23-82077C06	100	25	-0+60	1.312x.406	23D82601A19
15	25	-10+150	.937x.281	23D82601A31	100	25	-10+150	1.375x.375	23D82601A09
15	150	-10+100	1.125x.375	23D82601A17	100	35	-10+150	1.62 x.421	23-82077C01
16	10	-10+33	.687x.250	23D82601A10	100	40	-10+150	1.375x.687	23-82077C19
20	25	-0+100	.75 x.375	23D82601A03	100	150	-10+100	1.625x.765	23-82077C15
25	20	-10+100	.812x.406	23D82601A26	250	35	-10+150	1.62 x.765	23-82077C10
25	25	-10+150	.75 x.375	23D82601A01	300	3	-10+150	1.312x.406	23D82601A27
25	50	-10+150	.875x.375	23D82601A08	300	6	-10+150	1.375x.375	23D82601A18
35	100	-10+100	1.375x.375	23D82601A13	300	20	-10+150	1.12 x.765	23-82077C05
50	20	-10+150	.062x.406	23D82601A24	600	25	-10+150	1.687x.765	23-82077C18
50	25	-10+150	.875x.375	23D82601A05	1000	15	-10+150	1.62 x.890	23-82077C04
					1000	20	-10+150	1.625x.765	23-82077C21

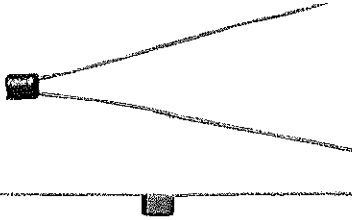
Capacitors

Electrolytic Capacitors listed in order of value

MFD.	TOL. %	DC WKG VOLTS	TYPE & FIG.*	PART NO.	MFD.	TOL. %	DC WKG VOLTS	TYPE & FIG.*	PART NO.
.022	±10	6	Tant. B	23D82397D13	22	±20	35	Tant. E	23D82783B32
.056	±10	35	Tant. A	23D82397D10	25	-10 +100	100	Alum. D	23K839917
.068	±10	35	Tant. B	23D82397D11	25	-10 +150	50	Alum. C	23D82601A08
.082	±10	20	Tant. A	23D82397D14	25	-25 +100	50	Alum. Spcl.	23B834588
.1	±10	35	Tant. A	23D82397D26	25	-10 +100	50	Alum. D	23K850516
.15	-20 +40	35	Tant. A	23D82397D08	25	-10 +150	25	Alum. C	23D82645A03
.12	±10	20	Tant. A	23D82397D12	25	-10 +100	25	Alum. D	23K483807
.12	±20	35	Tant. A	23D82397D20	25	-10 +150	25	Alum. C	23D82601A01
.22	±20	20	Tant. A	23D83441B06	25	-10 +150	20	Alum. C	23D82601A26
.22	-20 +40	35	Tant. A	23D82397D06	25	-10 +100	15	Alum. C	23C82054G04
.27	±10	20	Tant. A	23D82397D25	30	-10 +100	350	Alum. D	23K837743
1	-10 +150	250	Alum. C	23D82601A16	33	±20	25	Tant. E	23D82783B07
1	-10 +100	200	Alum. C	23C82054G01	33	±20	10	Tant. A	23D82397D18
1	±20	50	Tant. E	23D82783B10	33	±20	6	Tant. A	23D82397D01
1.0	-10 +150	200	Alum. C	23D82601A16	35	-10 +100	100	Alum. C	23D82601A13
1.5	±10	20	Tant. A	23D82397D27	39	±10	10	Tant. E	23D82783B36
1.75	-15 +75	125	Tant.	23K878557	47	±20	6	Tant. E	23K868446
2	-10 +150	25	Alum. C	23D82601A34	47	±20	6	Tant. A	23D82397D21
2	-10 +250	25	Alum. C	23D82601A04	47	±20	2	Tant. A	23D82397D02
2	-10 +150	25	Alum. C	23D82601A20	47	±20	25	Tant. E	23D82783B37
2	-20 +40	8	Tant. A	23D82397D19	50	-10 +100	32	Alum.	23K831647
2	-20 +40	8	Tant. B	23D82397D32	50	-10 +150	25	Alum. C	23D82601A05
2	-15 +50	3	Tant. E	23C82048D05	50	-10 +150	35	Alum. C	23D82601A36
2.2	±20	6	Tant. A	23D83441B04	50	-10 +150	20	Alum. C	23D82601A24
3	-10 +150	100	Alum. C	23D82601A15	60	-10 +100	150	Alum. D	23C82341B01
3	-10 +10	25	Alum. C	23D82645A01	60	-10 +150	50	Alum. C	23D82601A06
3.3	±20	20	Tant. A	23D82397D28	60	-10 +150	50	Alum. C	23D82601A29
4.7	±20	35	Tant. E	23D82783B11	60	-10 +150	25	Alum. C	23D82601A07
4.7	±20	25	Tant. E	23K865137	60	-10 +150	15	Alum. C	23D82601A02
4.7	-20 +40	3	Tant. A	23D82397D05	60	-10 +150	15	Alum. C	23D82601A28
5	-10 +50	350	Alum. D	23K874428	68	±10	15	Tant. E	23K865594
5	-10 +150	300	Alum. C	23D82077C07	70	-10 +150	15	Alum. C	23D82601A32
5	-10 +100	250	Alum. C	23D82601A14	100	-10 +100	150	Alum. D	23K874702
5	-10 +50	250	Alum. D	23K824135	100	-10 +150	40	Alum. C	23D82077C19
5	-15 +100	150	Alum. D	23K844461	100	-10 +100	150	Alum. C	23D82077C15
5	-10 +100	50	Alum. C	23K867671	100	-10 +150	35	Alum. C	23C82077C01
5	-10 +100	25	Alum. C	23K867670	100	-0 +100	35	Alum. C	23K867444
5	-10 +33	25	Alum. C	23D82601A11	100	-15 +30	30	Tant.	23K870747
5	-10 +100	25	Alum. C	23D82601A22	100	-15 +75	30	Tant. E	23K864025
6.8	±20	20	Tant. A	23D82397D23	100	-15 +100	25	Alum. D	23K892549
6.8	-20 +40	10	Tant. A	23D82397D09	100	-10 +150	25	Alum. C	23D82601A09
10	-10 +50	450	Alum. D	23K837903	100	±20	25	Tant. E	23D82783B04
10	-10 +50	450	Alum. D	23D82394A01	100	-0 +60	25	Alum. C	23D82601A19
10	-10 +100	300	Alum. C	23C82077C06	100	±10	10	Tant. E	23K864366
10	-10 +100	50	Alum. C	23C82054G03	100	-0 +100	10	Alum. C	23K864897
10	-15 +75	25	Tant. E	23K859299	100	±20	10	Tant. E	23D82783B05
10	-10 +100	25	Alum. C	23K868502	100	-0 +100	10	Alum. C	23D82601A21
10	±20	20	Tant. B	23D82397D31	100	-10 +150	6	Alum. C	23D82601A12
10	-10 +150	20	Alum. C	23D82601A23	125	-10 +100	18	Alum. D	23K840707
10	±20	20	Tant. A	23D82397D15	150	-0 +200	12	Alum. C	23K867505
10	±20	6	Tant. A	23D82397D03	150	±20	6	Tant. E	23D82783B09
10	-15 +50	2	Tant. E	23C82048D02	150	-0 +200	3	Alum. C	23K864898
10	±20	1.5	Tant. B	23D82397D22	250	-10 +150	35	Alum. C	23D82077C10
15	-10 +100	150	Alum. C	23D82601A17	250	-10 +100	15	Alum. D	23K832467
15	±20	25	Tant. E	23K865136	300	-10 +150	20	Alum. C	23C82077C05
15	-10 +150	25	Alum. C	23D82601A31	300	-10 +150	6	Alum. C	23D82601A18
15	±20	35	Tant. E	23D82783B33	300	-10 +150	3	Alum. C	23D82601A27
15	±20	20	Tant. A	23D82397D17	422	-10 +150	+25 -12	Alum. Spcl.	23D82607D03
15	-15 +75	15	Tant. E	23C848633	600	-10 +50	25	Alum. Spcl.	23K868779
15	±20	15	Tant. A	23D82397D04	600	-10 +150	25	Alum. C	23D82077C18
15	-0 +200	10	Alum. C	23K858677	1000	-10 +150	20	Alum. C	23D82077C21
16	-10 +33	10	Alum. C	23D82601A10	1000	-10 +150	15	Alum. C	23C82077C04
20	-10 +30	25	Alum. C	23D82601A38	3450	-10 +75	75	Alum. Not Shown	23D82464C04
20	-10 +50	350	Alum. D	23K483459	4000	-10 +100	100	Alum. Not Shown	23D82464C01
20	-10 +50	350	Alum. D	23B836527	13100	-10 ±75	40	Alum. Not Shown	23D82464C06
20	-0 +100	25	Alum. C	23D82601A03	15000	-10 ±75	60	Alum. Not Shown	23D82464C03
22	±10	25	Tant. E	23K867384	25000	-10 ±75	40	Alum. Not Shown	23D82464C02
22	±20	15	Tant. A	23D82397D16					

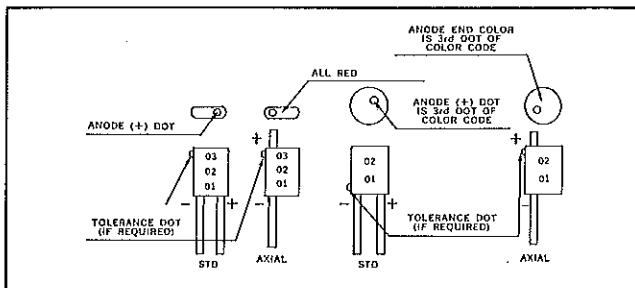
*A & B = tantalum non-metallic case, page 217 (B = axial leads).
C = hermetically sealed alum, page 214

D = hermetically sealed metal, page 217
E = tantalum metal, page 217



Solid electrolyte tantalum capacitors

In non-metallic cases for use in portable radio equipment. Because of small sizes, values are shown in standard EIA-(RETMA) color coding. Numbers indicated on capacitor drawings are color code sequence and position.



MFD.	Volts	% Tol.	Color Code	Part Number
.022	20	10	Red-Red-Org.	*23D82397D13
.056	35	10	Grn-Blu-Org.	23D82397D10
.068	35	10	Blu-Gry-Org.	*23D82397D11
.082	35	10	Gry-Red-Org.	23D82397D14
.10	35	10	Brn-Blk-Yel.	23D82397D26
.12	20	10	Brn-Red-Yel.	23D82397D12
.12	35NP	20	Brn-Red-Yel.	23D82397D20
.15	35	+40--20	Brn-Grn-Yel.	23D82397D08
.22	20	20	Green	**23D83441B06
.22	35	+40--20	Red-Red-Yel.	23D82397D06
.27	20	10	Red-Vio-Yel.	23D82397D25
1.0	9	20	Yellow	**23D83441B05
1.0	20	10	Brn-Blk-Grn.	23D82397D36
1.5	20	10	Brn-Grn-Grn.	23D82397D27
2.2	6	20	Red	**23D83441B04
2.2	10	+40--20	Red-Red-Grn.	23D82397D19
2.2	10	+40--20	Red-Red-Grn.	*23D82397D32
3.3	20	20	Org-Org-Grn.	23D82397D28
3.3	35	±20	Org-Org-Grn.	23-82397D43
4.7	4	+40--20	Yel-Vio-Grn.	23D82397D05
6.8	10	20	Blu-Gry-Grn.	23D82397D09
6.8	15NP	20	Blu-Gry-Grn.	23D82397D38
6.8	20	20	Blu-Gry-Grn.	23D82397D23
10	6	20	Brn-Blk-Blu.	23D82397D03
10	20	20	Brn-Blk-Blu.	23D82397D15
10	20	20	Brn-Blk-Blu.	*23D82397D31
15	6	±10	Blue	23-83441B07
15	15	20	Brn-Grn-Blu.	23D82397D04
15	20	20	Brn-Grn-Blu.	23D82397D17
22	15	20	Red-Red-Blu.	23D82397D16
33	6	20	Org-Org-Blu.	23D82397D01
33	10	20	Org-Org-Blu.	23D82397D18
47	3	20	Yel-Vio-Blu.	23D82397D02
47	6	20	Yel-Vio-Blu.	23D82397D21
47	10	±20	Red	23-83441B08

*Axial Leads
**Epoxy Dipped

Solid Tantalum Capacitors in Non-Metallic Cases

For use over the temperature range of -55°C to $+85^{\circ}\text{C}$

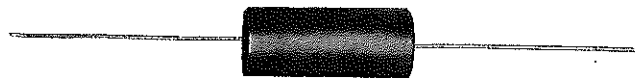
MFD.	Volts	% Tol.	Size Dia. X Length	Part No.
0.068	35	±10	.115 x .305	23-84762H15
0.47	50	±20	.115 x .305	23-84762H14
1.0	35	±20	.115 x .305	23-84762H06
2.2	25	±20	.115 x .305	23-84762H04
3.9	15	±20	.115 x .305	23-84762H08
4.7	10	±20	.115 x .305	23-84762H07
4.7	25	±20	.180 x .305	23-84762H05
4.7	35	±10	.180 x .305	23-84762H01
6.8	15	±20	.180 x .305	23-84762H12
10.0	20	±10	.180 x .305	23-84762H03
15.0	20	±20	.200 x .540	23-84762H09
22.0	15	±20	.200 x .540	23-84762H10
22.0	20	±10	.200 x .540	23-84762H16
23.0	6	±20	.180 x .350	23-84762H13
33.0	15	±20	.200 x .540	23-84762H11
47.0	6	±10	.200 x .540	23-84762H02



Tantalum metal tubular capacitors

In hermetically sealed metallic cases for use over the temperature range of -30°C to $+85^{\circ}\text{C}$.

MFD.	Volts	% Tol.	Size	Part No.
.1	75	20		23-82783B38
1	15	10	.282x.141	23D82783B14
1	35	10	.282x.141	23D82783B26
1	50	20	.282x.141	23D82783B10
2.2	35	20	.469x.191	23D82783B28
4.7	20	20	.681x.295	23D82783B31
4.7	25	10	.357x.191	23D82783B25
4.7	35	20	.469x.191	23D82783B11
8.2	35	10	.682x.295	23D82783B19
10	25	10	.470x.191	23D82783B27
15	25	5	.470x.185	23D82783B13
15	35	20	.295x.681	23D82783B33
22	35	20	.295x.681	23D82783B32
33	6	20	.469x.191	23D82783B20
33	25	20	.680x.289	23D82783B07
33	35	10	.781x.357	23D82783B22
39	10	10	.191x.469	23D82783B36
39	35	20	.781x.357	23D82783B21
47	6	20	.470x.185	23K868446
47	25	20	.295x.681	23D82783B37
47	35	20	.781x.357	23D82783B23
68	15	10	.682x.289	23D865594
100	10	10	.682x.289	23D864366
100	25	20	.782x.351	23D82783B04
150	6	20	.682x.295	23D82783B09
150	10	5		23-82783B40
200	10	20	.406x1.5	23D83210A07
300	10	20	.406x1.25	23D83210A05

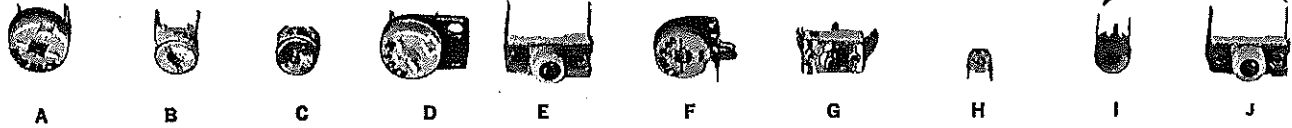


Metal case hermetically sealed insulated capacitors

For use over the range of -20°C to $+85^{\circ}\text{C}$.

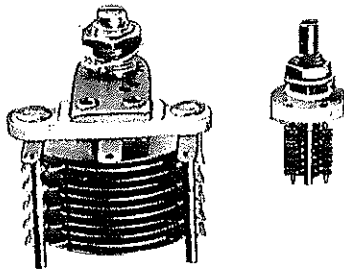
MFD.	Volts	% Tol.	Size	Part No.
5	25	-10 +50	1¼x¾	23K824135
10	450	-10 +50	1¼x¾	23K837903
20	350	-10 +50	1¼x¾	23K483459
25	25	-10 +100	1¼x¾	23K483807
25	50	-10 +100	1¼x¾	23K850516
25	100	-10 +100	1½x¾	23-839917
100	25	-10 +100	1¼x¾	23K892549

Variable Capacitors



CERAMIC TRIMMERS

CAPACITY		TYPE	FIG.	PART NUMBER	CAPACITY		TYPE	FIG.	PART NUMBER
MIN.	MAX.				MIN.	MAX.			
1.5	7	NPO	D	20-82109C05	5	25	NPO	A	20-859643
1.5	18	NPO	G	20-83201B07	5	25	NPO	A	20-864740
1.5	18.8	NPO	E	20-84579B08	5	25	NPO	D	20-82984E03
1.5	20	NPO	G	20-83201B01	5	25	NPO	C	20-82959G01
2	8	NPO	C	20-82399D10	5	30	N-750	D	20-82109C04
2.5	9.0	NPO	H	20-84260H02	5.5	18	NPO	C	20-82399D04
3	10	NPO	C	20-82399D08	5.5	18	NPO	J	20-87644C01
3	12	NPO	A	20-848635	5.5	18	NPO	C	20-82399D12
3	12	NPO	D	20-850615	6	25	NPO	F	20-82860B02
3	15	N-650	C	20-82399D06	7	57	NPO	G	20-84579B06
3	12	NPO	C	20-82959G03	7	94	NPO	E	20-84218B01
3.5	14	N-300	C	20-82399D13	7	95	NPO	I	20-84613A04
4	40	NPO	G	20-83201B06	8	50	N-750	D	20-840719
4	40	NPO	G	20-82301B09	8	50	N-750	A	20-847059
4	37.5	NPO	G	20-84579B05	8	50	N750	D	20-82109C03
5	25	NPO	D	20-848235	8	60	NPO	G	20-83201B02
					9	35	N-650	B	20-82399D02
					9	35	N-650	C	20-82399D05
					9	50		F	20-82860B01
					15	60	N-1500	C	20-82399D07
					15	80	NPO	(Not Shown)	20-84219B01
					15	115	NPO	G	20-83201B04
					20	100	N-2100	A	20-863152
					20	100	N-2100	D	20-82109C01
					24	188	NPO	E	20-84218B02
					24	190	NPO	E	20-84613A02
					24	190	NPO	J	20-84613A05
					55	280	NPO	E	20-84613A03
					55	280	NPO	I	20-84613A06
					55	282	NPO	E	20-84218B03
					55	280	NPO	I	*20-84613A07
					80	329	NPO	I	*20-84613A08
					90	376	NPO	E	20-84218B04
					170	506	NPO	G	20-84218B05

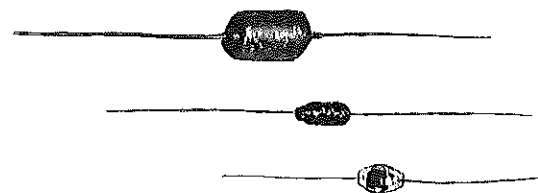
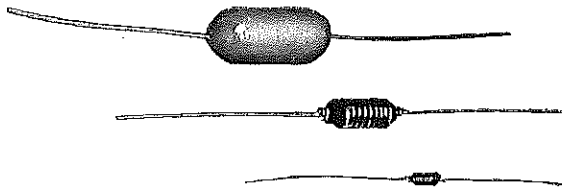


*High voltage 250V dc

TRIMMER CAPACITORS, AIR DIELECTRIC

CAPACITY	VOLTAGE	DIMENSIONS	LENGTH	WIDTH	HEIGHT	SHAFT TYPE	MOUNTING	PART NO.
6.75	2.7	850VRMS	1 1/2"	5/8"	3/4"	Std Slotted	1/4-32 NEF	19-859089
6.75	2.7	850VRMS	1 1/2"	5/8"	3/4"	Std Slotted	1/4-32 NEF	19B82475E01
7.4	2.4	850VRMS	1 1/2"	5/8"	3/4"	Std Slotted	1/4-32 NEF	19B847063
8.7	1.7	750VRMS	1 1/2"	5/8"	3/4"	Std Slotted	1/4-32 NEF	19A820263
13.5PF	2.93PF	850V	1.20	.781	.906	Slotted	4-40 NC	19C83221D01
13.8	3.7	1200VRMS	1 3/8"	1 1/8"	1 3/8"	Std Slotted	6-32 NC or 3/8-32 NEF	19C802737
14.2	2.3	750VRMS	1 1/2"	5/8"	3/4"	Std Slotted	1/4-32 NEF	19C475605
18PF	5PF	1750VRMS	1.093	1.687	.1687	Plain	—	*19C82767H01
19.6	2.7	750VRMS	1 3/4"	5/8"	3/4"	Std Slotted	1/4-32 NEF	19K800032
20.6	3.1	500VRMS	1 1/8"	5/8"	1 1/2"	Locking	4-40 NC	*19K850503
24.3PF	2.4PF	650V	.785	.500	.563	Slotted	—	19C83191D01
28.9	3.7	500VRMS	1 1/8"	1 1/8"	1 1/2"	Locking	4-40 NC	19A84648
32	3	750VRMS	1 3/8"	5/8"	3/4"	Std Slotted	1/4-32 NEF	19K859115
42.8	7	—	1 7/8"	3/4"	1 1/2"	Std Slotted	3/8-32 NEF	19A475604
52.5	4.9	800VRMS	1 1/8"	1 1/8"	1 1/2"	Locking	4-40 NC	19B838179
53.5	4.5	500VRMS	1 3/8"	1 1/8"	1 1/2"	Locking	4-40 NC	*19K847767
90.0PF	5.35PF	850V	1.520	.781	.906	Slotted	4-40 NC	*19C83598A01
114.2PF	8.7PF	500VRMS	1.220	.937	1.219	Locking	4-40 NC	*19A863833
140	7.1	500VRMS	2 3/8"	1 1/8"	1 1/2"	Locking	4-40 NC	*19A830291

*Rotor Grounded To Mtg. Posts.

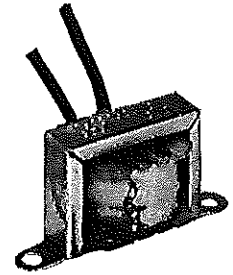
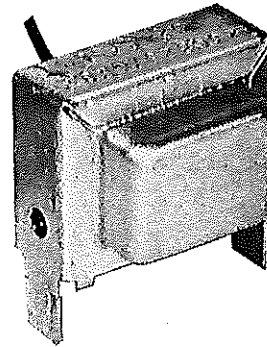
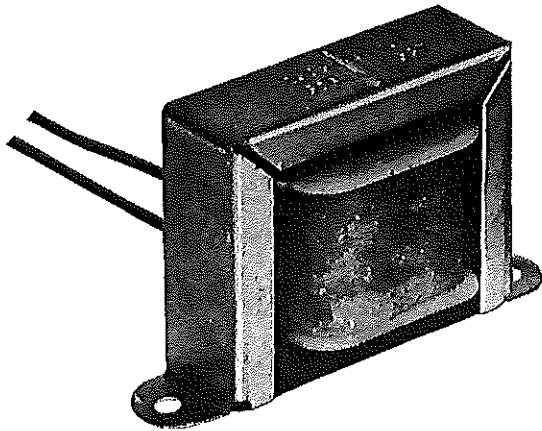


R-F Chokes in order of inductance

INDUCTANCE	PART NUMBER	COLOR CODE
.035 uh	24C82542E02	
.065 uh	24C82542E03	
.092 uh	24C82542E06	
.13 uh	24C82542E04	
.153 uh	24K824998	
.176 uh	24B858989	
.176 uh	24C82542E05	
.2 uh	24D82723H11	Brn-Brn
.25 uh	24K821659	
.288 uh	24B82613601	Grn-Vio
.29 uh	24-82723H04	Red
.29 uh	24-82723H20	Red (Shrink Sleeved)
.29 uh	24C82835G27	Red-Whit-Sil
.31 uh	24C82000E04	
.31 uh	24C82000E08	
.31 uh	24C82542E01	
.32 uh	24A868511	Red-Red
.32 uh	24C82000E05	
.33 uh	24D82190C11	Grn
.37 uh	24D82190C13	Vio
.41 uh	24C82000E22	Yel
.41 uh	24D82723H05	Yel
.45 uh	24D82190C14	Yel
.5 uh	24A847870	Grn
.5 uh	24K859167	Grn
.5 uh	24V80900A34	Grn
.57 uh	24-82835G36	Grn-Vio-Sil
.64 uh	24-82835G32	Blu-Yel-Sil
.82 uh	24B840512	Vio
.82 uh	24C82835G13	Gry-Red-Sil
1 uh	24K861264	Blk-Blk
1 uh	24C82592D03	Blk-Red
1.0 uh	24C82835G14	Brn-Blk
1.02 uh	24V80900A86	Brn-Vio
1.1 uh	24-82835G33	Brn-Brn-Gld
1.1 uh	24-82835G42	Brn-Brn-Gld
1.2 uh	24D859162	Blk
1.2 uh	24-891309	
1.2 uh	24C82000E09	
1.2 uh	24C82000E21	
1.2 uh	24C82190C10	
1.2 uh	24D82723H01	
1.2 uh	24-840559	
1.3 uh	24K865115	Blk-Grn
1.3 uh	24-82835G10	Brn-Org-Gld
1.3 uh	24C82835G15	Brn-Red
1.3 uh	24-82835G30	Brn-Org-Gld
1.5 uh	24K848119	
1.5 uh	24K867322	Brn-Blu
1.5 uh	24C82592D04	Brn-Grn
1.5 uh	24C82835G02	
1.5 uh	24-82835G04	Brn-Grn-Gold
1.5 uh	24-82835G25	Red-Grn-Gld
1.7 uh	24K861208	Whit
1.7 uh	24K867323	Brn-Vio
1.7 uh	24C82835G12	Brn-Vio-Gld
1.85 uh	24A813612	
1.85 uh	24K864764	Blk-Org
1.85 uh	24C82835G06	
2.15 uh	24K824997	
2.2 uh	24C82835G09	
2.3 uh	24-82835G35	Red-Org-Gld
2.6 uh	24C82835G01	
2.6 uh	24C82835G03	
2.6 uh	24C82835G08	
2.6 uh	24-82723H19	Red-Gold-Blu
2.62 uh	24A835457	Blu
2.62 uh	24K859672	Blu
2.62 uh	24K867320	Brn-Yel
3.1 uh	24K859165	Org
3.1 uh	24C82190C09	
3.5 uh	24C82835G11	
3.7 uh	24A821711	Grn
3.7 uh	24K867321	Brn-Grn
3.7 uh	24C82835G21	Org-Vio-Gld
3.7 uh	24-82835G37	Org-Vio-Gld
4 uh	24A840728	Red-Blk
4 uh	24K868885	Red-Blk
4.6 uh	24-82835G34	Yel-Blu-Gld
4.6 uh	24-82835G40	Yel-Blu-Gld
5.2 uh	24-82835G31	Grn-Red-Gld
5.6 uh	24K859164	Red
5.6 uh	24-82835G41	Grn-Blu-Gld
5.6 uh	24K859166	Yel

INDUCTANCE	PART NUMBER	COLOR CODE
5.6 uh	24C82001E02	Yel
5.6 uh	24C82190C04	Yel-Vio
5.6 uh	24C82835G22	Grn-Blu-Gld
5.7 uh	24V80901A63	Blk-Red
6.2 uh	24D82723H06	Blue
6.6 uh	24K890714	Whit
6.7 uh	24-82835G29	Blu-Vio-Gld
6.7 uh	24-82835G39	Blu-Vio-Gld
6.8 uh	24K868920	Red-Brn
6.8 uh	24D82480B03	Red-Grn
9 uh	24B847920	Brn-Red
9 uh	24C82000E03	Brn-Red
9.3 uh	24C82835G20	Brn-Org-Gld
10 uh	24D82549D25	
10 uh	24D82723H07	Vio
12 uh	24-82835G24	Brn-Red-Gld
10.4 uh	24C82000E01	Yel-Org
10.4 uh	24C82001E01	Org-Yel
10.5 uh	24D859163	Brn
10.5 uh	24V80901A23	Brn
10.8 uh	24K840776	Yel-Grn
11 uh	24K855725	
11 uh	24C82000E20	
11.7 uh	24K840775	Blk-Whit
11.7 uh	24C82592D02	Blk-Whit
11.7 uh	24-82835G38	Brn-Red-Blk
12.0 uh	24K868709	Brn-Whit
12.4 uh	24V80900A14	Brn-Whit
12.4 uh	24-82723H23	Org
14 uh	24D82549D01	
15 uh	24D82549D24	
15 uh	24-82835G28	Brn-Grn-Blk
15 uh	24V80900A42	Red-Yel
16.0 uh	24D82480B02	Red-Yel
16.0 uh	24K865931	Yel
16.6 uh	24C82000E23	Grn
23 uh	24D82723H03	Grn
23 uh	24-82723H16	Red-Red
23.2 uh	24K865405	
24.8 uh	24D82480B04	Red-Blu
26.3 uh	24K861466	Org-Yel
31 uh	24C82190C02	Org-Brn
33 uh	24K854314	
33 uh	24C82000E06	
33.0 uh	24C82835G23	Org-Org-Blk
40 uh	24A891398	
51 uh	24K865495	Red-Grn
67.6 uh	24B82166B01	
67.6 uh	24D82480B01	Red-Org
71.0 uh	24C82835G26	Vio-Brn-Blk
75 uh	24D82723H14	Vio-Blu
75 uh	24D82723H15	Vio-Grn
82 uh	24K861207	Vio
85 uh	24D82723H12	Gray
85 uh	24R82723H13	Gra-Grn
85 uh	24-82723H18	White
100 uh	24K865116	Blk-Blu
100 uh	24C82592D01	Blk-Blu
141 uh	24B847911	Grn
148 uh	24C82190C07	
186 uh	24B847912	Red
242 uh	24K865494	Brn-Red
390 uh	24D82549D02	
620 uh	24K847940	Brn-Org
620 uh	24A864737	Blk-Brn
620 uh	24V80900A61	Brn-Org
700 uh	24K867319	Brn-Org
1200 uh	24K865157	Blk-Vio
1200 uh	24C82000E12	
1200 uh	24C82835G18	
1800 uh	24C82190C01	
2000 uh	24K865114	Blk-Yel
2000 uh	24V80900A74	Org-Vio
2000 uh	24C82190C03	Org-Vio
2830 uh	24K861467	Yel-Yel
3100 uh	24A85541	Org
4090 uh	24B840729	
5700 uh	24K847941	Brn-Yel
5700 uh	24K864763	Blk-Red
5700 uh	24C82000E02	Brn-Yel
5700 uh	24C82835G05	
5700 uh	24C82835G16	
6000 uh	24K483466	Blu
11000 uh	24C82835G19	

Chokes



The following listing contains commonly used chokes in Motorola Communications Equipment. The chokes are listed in order of inductance. Current capacity, DC Resistance & sizes are also listed.

INDUCTANCE	TYPE	CURRENT	OHMS	DIMENSIONS	PART NUMBER
0.045MH	Hash	NO 11 GA	0.012	0.89 Dia X2.10	25B861375
0.2MH	Hash	NO 20 GA	0.15	0.71 Dia X1.50	25A82391A01
0.3MH	Audio	0MADC	0.066	0.80 X0.80X0.66	25B82380G01
0.3MH	Hash	4.5 ADC	0.066	0.88 Dia X1.75	25C82180B01
1.6MH	Filtr	200MADC	0.43	0.55 X0.41X0.48	25C83127G01
1.7MH	Audio	0MADC	0.2	1.06 X0.90X0.88	25C82003F01
2.5MH	Audio	250MADC	1.0	0.80 X0.63X0.66	25B82815D01
5 MH	Audio	0MADC	1.8	0.80 X0.73X0.66	25B82142H01
7.6MH	Filtr	10 ADC	0.055	4.50 X3.75X3.75	25C82916A01
10 MH	Audio	70MADC	10	0.56 X0.50X0.50	25B82719A02
12 MH	Filtr	60MADC	3.2	0.37 X0.36X0.37	25B82035D01
20 MH	Filtr	3.0 ADC	0.43	4.00 X2.43X2.59	25C82599E01
35 MH	Filtr	250MADC	12	0.81 X0.68X0.68	25C82379A01
35 MH	Filtr	265MADC	12	0.81 X0.56X0.70	25C83124C01
40 MH	Filtr	4.0 ADC	0.4	4.12 X3.43X2.56	25C82467C01
40.1MH	Filtr	200MADC	6	1.50 X0.80X0.81	25C82227G01
45 MH	Filtr	210MADC	30	0.82 X0.68X0.68	25B82348A01
60 MH	Audio	20MADC	20	0.56 X0.50X0.50	25B82719A01
65 MH	Audio	0MADC	6	0.38 X0.38X0.25	25B82169D01
70 MH	Audio	75MADC	8	0.80 X0.73X0.66	25C82878A02
70 MH	Audio	75MADC	8	0.80 X0.73X0.66	25C82878A03
70 MH	Audio	75MADC	8	0.80 X0.73X0.66	25C82878A04
70 MH	Audio	75MADC	8	0.80 X0.73X0.66	25C82878A05
70 MH	Audio	75MADC	8	0.80 X0.73X0.66	25C82878A06
70 MH	Audio	75MADC	8	0.80 X0.73X0.66	25C82878A07
70 MH	Audio	75MADC	8	0.80 X0.73X0.66	25C82878A08
70 MH	Audio	75MADC	8	1.80 X0.73X0.66	25C82878A10
70 MH	Audio	75MADC	8	1.26 X0.73X0.66	25C83390B01
70 MH	Filtr	1.0 ADC	2	1.88 X1.80X2.25	25C83422B01
80 MH	Filtr	800MADC	0.54	2.37 X2.50X3.03	25C864209
90 MH	Audio	1MADC	60	0.67 X6.25X0.78	25B82738C01
100 MH	Audio	4MADC	GT	1.75 X1.03X1.43	25B82122F01
100 MH	Filtr	300MADC	20	1.82 X1.15X1.46	25B859538
100 MH	Filtr	250MADC	12	2.06 X1.25X1.22	25C82063G01
111 MH	Filtr	300MADC	9.6	1.82 X1.15X1.46	25B83849A01
160 MH	Filtr	70MADC	20	0.80 X0.55X0.68	25C83390B01
200 MH	Filtr	300MADC	3	3.25 X1.56X1.94	25C82491E01
250 MH	Filtr	190MADC	63	1.62 X0.81X0.81	25C82038D01
300 MH	Filtr	300MADC	63	1.06 X0.81X0.81	25C82380A01
300 MH	Filtr	300MADC	63	1.06 X0.81X0.81	25C82380A02
300 MH	Filtr	1.0 ADC	0.45	2.37 X2.48X3.03	25C811355
340 MH	Audio	7.0MADC	75	0.37 X0.34X0.38	25-83564D01

INDUCTANCE	TYPE	CURRENT	OHMS	DIMENSIONS	PART NUMBER
340 MH	Audio	7.0MADC	75	0.37 X0.34X0.38	25B83564D02
500 MH	Audio	0MADC	145	0.50 DIA X0.85	25C82816D01
500 MH	Filtr	60MADC	250	0.82 X0.82X0.68	25B82349A01
500 MH	Filtr	40MADC	185	1.31 X0.68X0.68	25B82803C01
700 MH	Audio	0MADC	200	0.26 X0.34X0.38	25B82872B01
700 MH	Audio	0MADC	200	0.26 X0.34X0.38	25B82872B02
700 MH	Audio	0MADC	46	0.26 X0.34X0.37	25B82915G01
900 MH	Strap	300MADC	41	.3.29 X1.62X2.12	25C83253G02
.01 HY	Filtr	1.6 ADC	0.9	2.81 X1.21X1.68	25-832466
1.0 HY	Filtr	200MADC	50	2.81 X1.68X1.71	25-83253G02 (Replaces 25-82763C01)
1.5 HY	Filtr	65MADC	50	1.70 X1.46X1.37	25-82189H02
1.5 HY	Audio	8MADC	400	0.56 X0.40X0.47	25B82751D01
1.7 HY	Filtr	120MADC	128	2.40 X1.50X1.38	25B82968E01
2.1 HY	Filtr	100MADC	134	1.70 X1.46X1.37	25C82376E01
2.1 HY	Filtr	200MADC	70	3.71 X2.12X2.31	25C82478E01
2.1 HY	Filtr	100MADC	128	2.37 X1.50X1.37	25K837416
2.1 HY	Filtr	200MADC	70	3.71 X2.12X2.31	25-82804H01
2.3 HY	Filtr	100MADC	112	2.81 X1.56X1.68	25C825358
2.45 HY	Filtr	80MADC	50	2.09 X2.18X2.71	25K87302
3.5 HY	Filtr	370MADC	81	2.62 X3.56X3.12	25C82798E01
3.5 HY	Filtr	270MADC	48	2.62 X3.25X3.12	25C83962A01
4.0 HY	Audio	0MADC	1470	0.50 DIA X0.85	25C82816D02
5.0 HY	Audio	0MADC	420	0.51 X0.41X0.48	25C82190A01
5.0 HY	Audio	0MADC	420	0.55 X0.36X0.48	25-82190A01 (Replaces 25-82750D01)
6.0 HY	Audio	0MADC	1650	0.50 DIA X0.5)	25C82498H01
6.0 HY	Audio	0MADC	1650	0.50 DIA X0.85	25C82867C01
6.0 HY	Audio	0MADC	6	1.31 X0.66X0.53	25D850637
6.0 HY	Audio	0MADC	Not Spec.	0.81 X0.56X0.62	25-847527
6.0 HY	Filtr	100MADC	142	3.00 X2.56X4.25	25C821999
7.0 HY	Audio	0MADC	560	0.55 X0.36X0.48	25C82750D02
15 HY	Filtr	250UADC	190	0.76 X0.62X0.62	25C82448C01
15 HY	Filtr	5MADC	1000	1.06 X0.77X0.81	25B82025D01
15 HY	Filtr	420MADC	100	5.91 X5.37X6.00	25C82743H01
15 HY	Filtr	365MADC	100	5.91 X5.37X6.00	25C82743H02
15 HY	Filtr	250UADC	190	1.29 X0.62X0.62	25C82448C02
80 HY	Audio	20MADC	3600	2.12 X1.89X2.81	25A806341

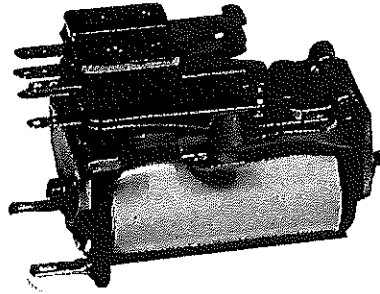
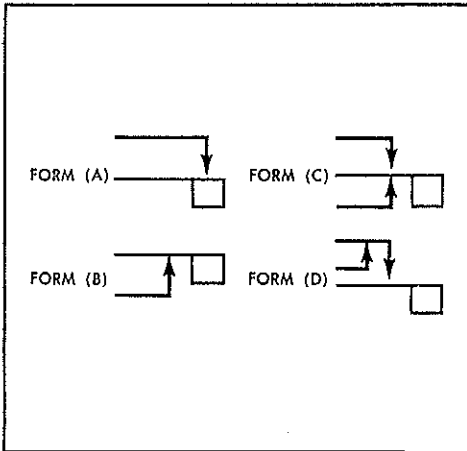


Fig. 1 Large Telephone

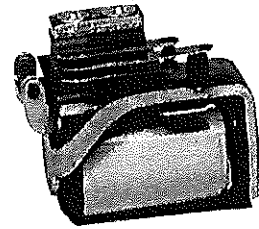


Fig. 2 Small Telephone

All relays are dc types except where indicated.

VOLTAGE RELAYS

OPERATING VOLTS	CONTACT FORMS	COIL RESISTANCE	PART NUMBER	FIG.
4.5	4A1C	19	80-82457E01	2
6	4A1C	19	80-831612	1
6	3A1B	19	80-832018	1
6	2A3C	19	80-837906	1
6	1A1C	17	80-844426	1
6	4A2C	50	80-851647	1
6	1A4C	50	80-858174	1
6	4C	150	80-83336A01	2
8.6	2C	280	80-82675H01	1
9	4A1B2C	100	80-863333	1
9	2A1B	80	80-863348	1
9	2A1C	100	80-82120B01	1
9	1A3C	45	80-82584H01	1
9	1A1C	65	80-82610D01	2
9	1A	500	80-83379B01	1
9	2A1B	350	80-83379B04	2
9	3C	80	80-83458C01	2
9	1A1B1C	80	80-83755C01	2
9	2C	75	80-83903D01	2
9	1A1B1D	80	80-84457A01	2
9.5	4C	150	80-82675H02	1
12	1A1C	65	80-855208	1
12	3A1C	100	80-858831	1
12	5A2C	100	80-858550	1
12	6A1C	20	80-82938B01	1
17	8C	300	80-83841E01	2
19	2C	2700	80-83007B01	1
42	1A1C	8000	80-837948	1

CURRENT RELAYS

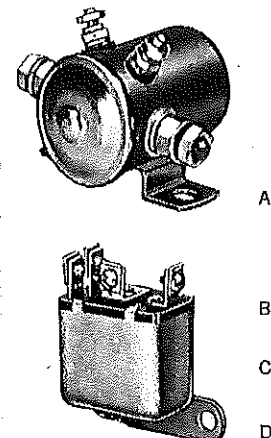
OPER. CURRENT IN	IN MA. OUT	CONT. FORM	COIL REST.	PART NUMBER	FIG.
3.5	1.5	3C	14000	59-82933C02 (Replaces 80-841443)	1
5.5	2	3A2C	10000	80-848192	1
6.5	3	6A1C	10000	80-848193	1
7.5	4	2A1C	6500	80-831474	1
7.5	4.5	1C	2700	80-858203	1
7.7	5.8	1C	2000	80-82639H01	2
7.7	5.8	1C	2000	80-82639H01	1
8	4	2A2G	6500	59-81303	1
12	5	7C1D	6500	59-82744	2
13	6	1A	1000	80-855814	1
13	8	2C	1300	80-83948B02	1
15.5	5.5	2C	1000	80-855815	1
24	16	1A2C1D	850	80-848878	2
24	*	6C	1200	80-82620H01	2
36	12	3C	350	80-848880	2
47	41	1B	47	80-82142B02	1
150	*	3C	25	59-837012	1

*Not specified

Relays

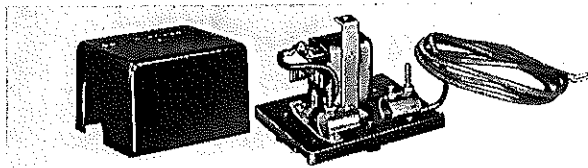
"A" POWER RELAYS

PART NO.	FIG.	COIL RATING		CONT AMP	TYPICAL APPLICATION
		VOLTS	OHMS		
*59C 483057	A	6	4.5	80	Dynamotor relay, also used as under hood "A" power relay.
*59K 851519	A	12	22	80	Slightly longer than above, used as under hood "A" power relay.
59K 825038	A	12	18	100	Dynamotor relay.
59K 880283	B	6	22	30	Universal under hood "A" power relay for most mobile installations.
59K 813674		12	85	30	
59D 84712		6	22	30	Similar to "B" except for vertical chassis mtg.
59K 858480		12	76.5	30	Similar to "B" except has brkt. for mounting in bakelite fuse-relay assemblies shipped with TKN 6000 series cable kits on late type units.



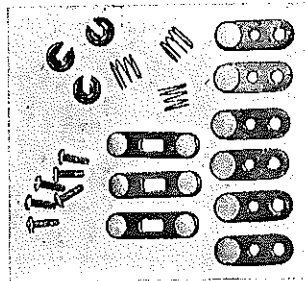
* Low Temp. Continuous Duty Coil.

RELAY AND FUSE BOX ASSEMBLIES



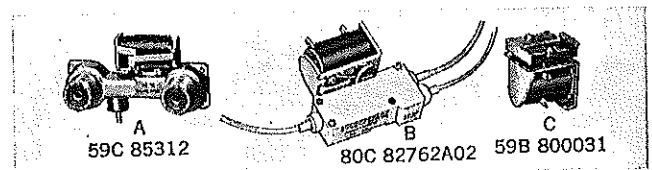
PART NO.	DESCRIPTION
1V 859440 (6 or 12 volt)	Consists of a 6 volt horn relay and built-in dropping resistor. Can be used on 6 or 12 volt vehicles by proper placement of shorting jumper. Supplied with 5 feet of #4 cable for connection to the battery. Uses 3" x 3/4" size fuses. (30 to 60 amp.)
1V 859445 (12 volt)	Similar to above except supplied with a 12 volt horn relay, 5 feet of #10 battery cable and uses 2" x 3/8" fuses. (Up to 30 amp.)

REPLACEMENT RELAY CONTACTS



PART NO.	USAGE
39K 863660	Contact kit for 59C 847700 plate contractor relay (AH&H Relay only)

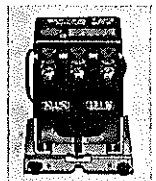
ANTENNA RELAYS



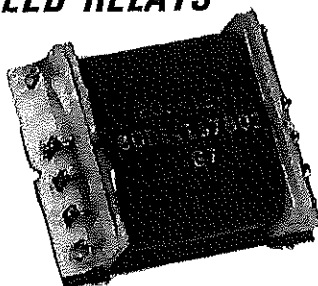
PART NO.	FIG.	COIL RATING		APPLICATION
		NOM. VOLTS	OHMS	
59C 483605 Replaces 59-85312	A	6	15	All "Sensicon" & "A" type transmitter strips. Rated 100W RF.
80C 82762A02	B	12	75	U44 series 10" housing 450-470MC. Rated 150W RF.
80A 82762A12	B	12	75	450-470MC "Motrac" radio.
80-82762A17 Replaces 80-82762A01	B	12	75	"Motrac" radio; Rated 150W RF; Neg./Pos. Gnd.
59B 800031	C	6	30	"Unichannel" transmitter. Rated 30W RF.
59K 842298	C	6	30	6/12V "G" transmitter. Rated 60W RF.
59K 854405	C	12	120	12V "G" Type transmitter. Rated 60W RF.

SK 9464 RELAY KIT

SK 9464 Relay Kit Contains 1-80C 847700 heavy duty contactor relay, jumpers and instructions for replacement of earlier relays (891442 & 804637)



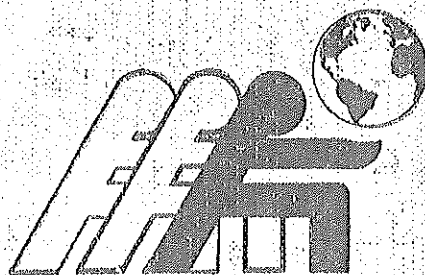
REED RELAYS



PART NUMBER	VOLTS	RESISTANCE		
		COIL #1	COIL #2	
80-84157B01	13.4	820 Ω	DNA	N.O. SPST
80-84157B02	13.4	285 Ω	285 Ω	2 Section N.O. 1 Section N.C.
80-84157B03	12.0	240 Ω	DNA	1 Section N.O. 2 Sections N.C.
80-84157B04	12.0	800 Ω	DNA	N.O. SPST
80-84157B05	13.4	190 Ω	DNA	4 Sections N.O. 1 Section N.C.
80-84157B06	13.4	240 Ω	DNA	2 Section N.C. 2 Section N.O.
80-84157B07	12.0	800 Ω	DNA	2 Sections N.O.



N		Pocket Receiver	135	Service Aids, Pager	162-163	Touch Up Sticks	164
Neon Glow Lamps	171	Pocket Transmitter	135	Set Screws	197	Tower Bulbs	38, 171
Nickel Cadmium Batteries	130-134	Portable/Paging Chargers (also see specific radio)	128-129	Set Screw Assortment Kit	186	Transistors	166-167
Nomogram	22	Portable Radio (also see specific radio)	111-126	Shields	180	Diode Mounting Kits	166
Pressure vrs. Wind Velocity	8	Portable Tools	160-161	Tube & Coil	179	Heat Sinks	166
Resistance, Power	8	Potentiometer Hardware	197-198	Sleeving	192	Socket Kits	166
Voltage and Current	8	Potentiometers	198-199	Sockets	172, 180	Transmission Line Accessories	42-43
VSWR	23	Power Amplifier, Base	54	General	170	General	40-43
Nut Driver	188	Power Voice Megaphone	156	Lamps	170	Kits	40-41
Nuts	187, 197	Powers of 10	6	& Plugs	180, 182	Transmitter, Pocket	135
O		Pressure vrs. Wind Velocity	22	Transistor	166	Trimmer Capacitors	218
Organizations and Magazines, Communications	28	PT Series Portables	127	SPARE-PAC Spare Parts Kits	97	Triton Radio	78-79
P		Batteries	134	Speakers	157-159	Tube Puller	168
PAC-RT System	126	Puller, Tube	169	General	135	Tubes	168-169
Pageboy I Pager	137	Pulsar II	83-85	Lapel	192	Tube Shields	179
Batteries	134	Pulsar, IMTS	86-87	Wire	168	Tuning Tools	161, 164
Pageboy II Pager	136	Pulsar, Mark IV	90-91	Special Purpose Tubes	185	V	
Batteries	134	Pulsar, Mark IV	86-87	Speed Nuts	138	Value and Gauge Assembly	38
Service Aids	160-163	Pulsar, RCC	88-89	Spirit Pager	140	Variable Capacitors	214
Pagecom Pager	138	Pulsar, UHF	82	Charger	140	Vibrasender/Vibrasponder Sockets & Contacts	181
Batteries	134	Pulsar, VHF	80-81	Super Console Base Station	44-45	Vibrators	169
Chargers	140	R		Surge Protectors	38-39	Visual Communications Systems	143-149
Service Aids	160-163	Radio Bands	18	Switches	194-196	Camera Kit	144
Paper Chargers	128-129, 140	Radio Emissions	19	Switches, Timer	55	Transistors	143
Pagers	135-139	Railroad Micor	103	Symbols, Common Logic	15-17	VSWR Nomographs	23
(see specific pager)	135-139	Receiving Tubes	168	Symbols, Common Schematic	12-14	W	
Pager, LF	138	Receiver, Pocket	135	Systems 90	66-70	Washers	187, 197
Pager Service Aids	160-163	Reed Relays	218	T		Washers, Transistor Shoulder	161
Paging/Portable Chargers	128-129	Relays	217, 218	Tape Electrical	188	Wavelength vrs. Frequency	20
Panel Meters	173	Remote Control Console	50-52	Television Channel Frequencies	19	Wind Velocity vrs. Pressure Nomogram	22
Parts Lists	29-164	Replacement Parts	165-218	Television, Closed Circuit	141-149	Wire & Cable	192-193
Parts, Replacement	165-218	Resistor Assortments	201	Telephone Relays	217	Wrenches	198
Period vrs. Frequency	20	Resistors	201-204	Temperature Conversion	7	Wraplock	38
Phone Plugs & Jacks	177	Rivets	187	Ten Code of Associated Public Safety Communications Officers, Inc.	21		
Pilot Lamps	172	Rod Cutting Charts, Antenna	37	Terminal Pins	184		
Pin Tips	181	Rogo Transistors	167	Terminal Strips	184		
Plate Caps	179	Rubber Grommets & Bumpers	185	Terminals	189-190		
Plugs	150, 154	S		Terminats, IMTS Controls	94-96		
Microphone	150, 154	Schematic Symbols	12-14	Test Clips	181		
Phono	177	Screws	186-188	Test Equipment Procedures	26-28		
		Sensitivity Measurement, EIA SINAD	27-28	Test Prods	181		
		Sensitivity, Measuring Effective	27	Timer and Timer Switches	55		
				Tinsel Cord	151		
				Tools	161		
				Alignment	190		
				Crimping	190		
				Portable/Paging	160		
				Tuning	161, 164		



MOTOROLA INC.
Communications Group Parts