

PULSE



PAR LIGHT 30W COB LED RGB

Model: PAR30C

Please read these instructions carefully before use and retain for future reference.

IMPORTANT SAFETY INFORMATION

- When using electrical appliances basic safety precautions should always be followed.
- Check the product before use for any damage. Should you notice any damage on the cable or casing, do not use.
- Check that the voltage indicated on the rating plate corresponds with that of the local network before connecting the product to the mains power supply.
- Keep this product away from rain and moisture.
- For indoor use only.

Caution: Never look directly into the light source.



- Always disconnect from the mains when the product is not in use or before cleaning.
- Do not operate or store in an environment of high humidity or where moisture may enter the product as this can reduce insulation and lead to electric shock.

Safety Information for Installation and Operation

- When installing, make sure that the product is not exposed to extreme heat, moisture or dust.
- If you're using a smoke machine, make sure that the product is never exposed to the direct smoke jet and is installed at least 0.5m away.
- The ambient temperature must always be between -5°C and 45°C. Keep away from air-conditioning units and heaters.
- The relative humidity must not exceed 50% with an ambient temperature of 45°C.
- This product must only be operated in an altitude between -20 and 2000m above sea level.
- The minimum distance between the light-output and the illuminated surface must be more than 0.5m.
- This device is allowed to be installed via a mounting bracket. In order to have sufficient ventilation, leave 50cm of free space around the device.
- The housing must not touch any surrounding surfaces or objects.
- Operate the product only after having familiarised yourself with its functions. Do not allow operation by persons unqualified.
- A secondary means of suspension must be provided, such that in the event of a failure of the primary suspension, no part of the luminaire can fall.
- The operator must make sure that safety related matters are observed and that the installation is approved by a qualified installer before taking into operation for the first time.

CONNECTION CABLES

- DMX-512 connection / connection between fixture.
- 3-pin XLR plugs connect the controller with the fixture or one fixture with another. Screened twisted pair cable should be used.

DMX Input		DMX Output	
XLR mounting - socket XLR		XLR mounting - socket	
	1. Ground		1. Ground
	2. Signal (-)		2. Signal (-)
	3. Signal (+)		3. Signal (+)

BUILDING A SERIAL DMX CHAIN

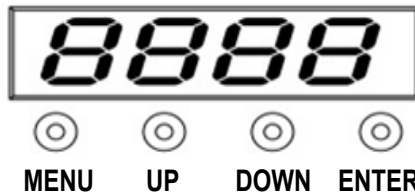
- Note: the DMX-output of the first fixture in the DMX chain with the DMX-input of the next fixture. Always connect one output with the input of the next fixture until all fixtures are connected.
- Maximum recommended serial data link distance: 500m (1640ft).
- Caution: At the last fixture, the DMX-cable has to be terminated with the terminator. Solder a 120Ω resistor between Signal (-) and Signal (+) into a 3-pin XLR plug and plug it into the DMX output of the last fixture.

DMX MASTER-SLAVE MODE

- If you are using a controller with this fixture, you can connect the DMX-output of the controller directly with the DMX-input of the first fixture in the DMX chain. If you wish to connect a DMX-controller using other XLR socket types you need to use an adaptor cable.

DMX CONTROLLER MODE

- Other LED lights operating as slaves will work synchronously when connected in a chain using DMX cables.



- Use the **MENU** button to cycle through the functions (see table below).
- Use the **UP** and **DOWN** buttons to set the values for the brightness/speed of the lights. Or in DMX controller mode, use **UP** and **DOWN** to give the light an address.
- Use the **ENTER** button to save the changes.

OPERATION MODES

- There are two operation modes

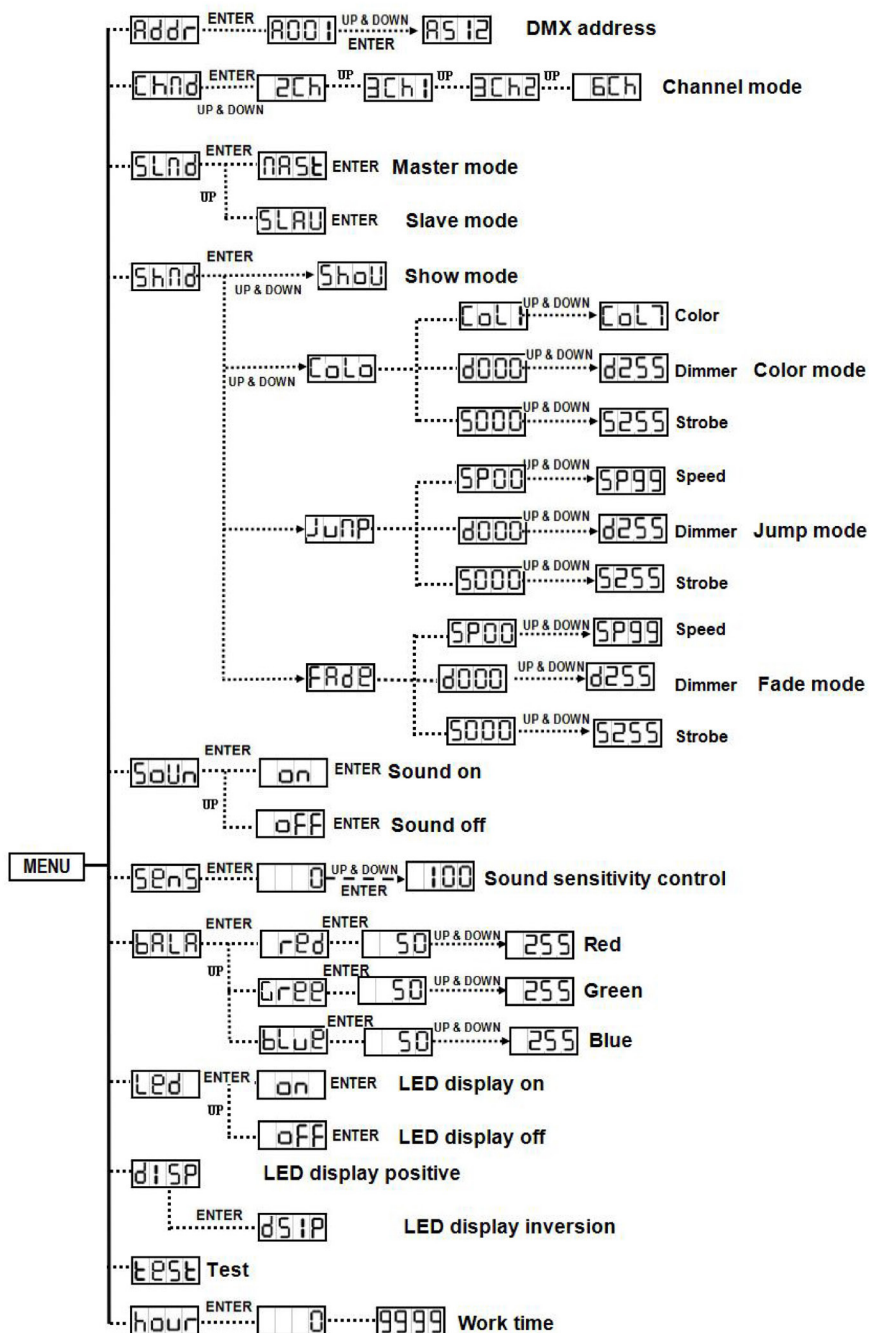
Master/slave built-in program.

- Connect the lights in series, the first light control the other lights as auto show, sound control show etc.
- The first light must be set as master.
- Choose random show or effect 1 to 16.
- If there are no DMX signals, the master mode LED will light up, the sound control LED will strobe according to the music, the other lights will not work in slave mode.
- For a two light show choose *SL 1* or *SL 2* mode when connected using a DMX cable, then the slave LED will light up.
- For the slave light, *SL 1* operates the same as the master light, *SL 2* displays opposed to the master light.

DMX Controller

- If controlled by a DMX controller, you need to set the DMX address code to control the light, the address code value is between 1-509, then the light will receive the signal accordingly.
- Press MENU button and select Address menu, press ENTER button and the address LED will strobe.
- Use Δ/∇ to select DMX512 address (default is 001).
- After setting DMX address, press ENTER button.

LED Display		
Manual	Set	Instruction
<i>Addr</i>	<i>R00 1→R5 12</i>	DMX address
<i>ChAn</i>	<i>3Ch</i>	Channel modes
	<i>3Ch 1</i>	
	<i>3Ch2</i>	
	<i>bCh</i>	
<i>SLnd</i>	<i>MRSŁ</i>	Master Mode
	<i>SLBU</i>	Slave Mode
<i>ShNd</i>	<i>ShoU</i>	Colours 1-7
	<i>CoLo</i>	Dimmer (colour/dimmer/strobe)
	<i>JuNP</i>	Jump modes (speed/dimmer/strobe)
	<i>FRdE</i>	Fade mode (speed/dimmer/strobe)
<i>SoUn</i>	<i>oN</i>	Sound control on
	<i>oFF</i>	Sound control off
<i>SEnS</i>	<i>... 1→ 100</i>	Sound sensitivity
<i>LEd</i>	<i>oN</i>	LED on
	<i>oFF</i>	LED off
<i>dI SP</i>	<i>dS 1P</i>	Display screen (normal/inverted)
<i>tPSt</i>	<i>tPSt</i>	Test mode
<i>hour</i>	<i>...0 - 9999</i>	Working time



DMX MODE

2 Channel Mode		
Channel	Value	Function
CH1	000-255	Full dimmer, 0-100%
CH2	000-036	R
	037-073	G
	074-110	B
	111-255	Colour mixing

3 Channel 1 Mode		
Channel	Value	Function
CH1	000-255	Red dimmer,0-100%
CH2	000-255	Green dimmer,0-100%
CH3	000-255	Blue dimmer,0-100%

3 Channel 2 Mode		
Channel	Value	Function
CH1	000-255	Full dimmer, 0-100%
CH2	000-255	Strobe, speed from slow to fast
CH3	000-004	No function
	005-080	Colour choose
	081-150	Colour auto run, speed from slow to fast
	151-220	Colour fade, speed from slow to fast
	221-255	Sound active

6 Channel Mode		
Channel	Value	Function
CH1	000-255	Full dimmer, 0-100%
CH2	000-255	Strobe, speed from slow to fast
CH3	000-255	Red dimmer, 0-100%
CH4	000-255	Green dimmer, 0-100%
CH5	000-007	Blue dimmer, 0-100%
CH6	000-004	No function
	005-080	Colour choose
	081-150	Colour auto run, speed from slow to fast
	151-220	Colour fade, speed from slow to fast
	221-255	Sound active

CLEANING & MAINTENANCE

- Disconnect from the mains before starting the maintenance operation.
- Frequent cleaning is recommended. Use a soft lint-free moistened cloth.
- Do not use any chemicals, abrasives or solvents that could damage the device.
- There are no user-serviceable parts in this product. Refer all servicing to qualified personnel.

SPECIFICATIONS

Voltage	AC 100-240V 50-60Hz
Power	30W
LED source	1pcs 30W COB RGB 3in1 LED
Fuse	F3AL250V
DMX modes	2CH, 3CH1, 3CH2, 6CH channel
Operational Modes	Sound activated, internal programme, DMX master/slave
Colour Mixing	RGBW
Working environment	-20°C - 40°C
Dimensions	200 x 200 x 150mm
Weight	1.5kg



INFORMATION ON WASTE DISPOSAL FOR CONSUMERS OF ELECTRICAL & ELECTRONIC EQUIPMENT.

When this product has reached the end of its life it must be treated as Waste Electrical & Electronic Equipment (WEEE). Any WEEE marked products must not be mixed with general household waste, but kept separate for the treatment, recovery and recycling of the materials used. Contact your local authority for details of recycling schemes in your area.



Made in China. PR2 9PP
Man Rev 1.1